



US00D755639S

(12) **United States Design Patent**  
**Kim**

(10) **Patent No.:** **US D755,639 S**

(45) **Date of Patent:** **\*\* May 10, 2016**

(54) **COSMETIC CONTAINER**

(71) Applicant: **YONWOO CO., LTD.**, Incheon (KR)

(72) Inventor: **Sung-Sin Kim**, Incheon (KR)

(73) Assignee: **YONWOO CO., LTD.**, Incheon (KR)

(\*\*) Term: **14 Years**

(21) Appl. No.: **29/504,692**

(22) Filed: **Oct. 8, 2014**

(30) **Foreign Application Priority Data**

Apr. 11, 2014 (KR) ..... 30-2014-0018340

(51) **LOC (10) Cl.** ..... **09-01**

(52) **U.S. Cl.**  
USPC ..... **D9/690; D9/503; D9/500**

(58) **Field of Classification Search**  
USPC ..... D9/434, 435, 439, 447-449, 454, 500,  
D9/503, 516, 549, 558, 682, 690, 715, 719,  
D9/723, 724, 725, 900; D24/197; D28/76,  
D28/4, 7

CPC ..... B65D 1/00; B65D 1/02; B65D 1/10;  
B65D 1/0223; B65D 1/243; B65D 23/00;  
B65D 81/00; B65D 2501/00; B65D 2501/0009  
See application file for complete search history.

(56) **References Cited**

**U.S. PATENT DOCUMENTS**

D44,100 S \* 5/1913 Guidry ..... D9/772  
D74,828 S \* 4/1928 Gatchell ..... D9/500

D209,544 S \* 12/1967 Roberts ..... D7/523  
5,599,495 A \* 2/1997 Krall ..... B29C 49/76  
264/139  
D473,466 S \* 4/2003 Biesecker ..... D7/615  
D513,385 S \* 1/2006 Garcia ..... D9/504  
D532,315 S \* 11/2006 Moutinho ..... D9/725  
D613,165 S \* 4/2010 Lane ..... D9/500  
D641,255 S \* 7/2011 Williams ..... D9/719  
D696,592 S \* 12/2013 Ueta ..... D9/723  
D714,645 S \* 10/2014 Li ..... D9/724  
D730,743 S \* 6/2015 Kim ..... D9/695  
D731,324 S \* 6/2015 Li ..... D9/552

\* cited by examiner

*Primary Examiner* — Dana L Meyrow

*Assistant Examiner* — Keith Frank

(74) *Attorney, Agent, or Firm* — Marshall, Gerstein & Borun  
LLP

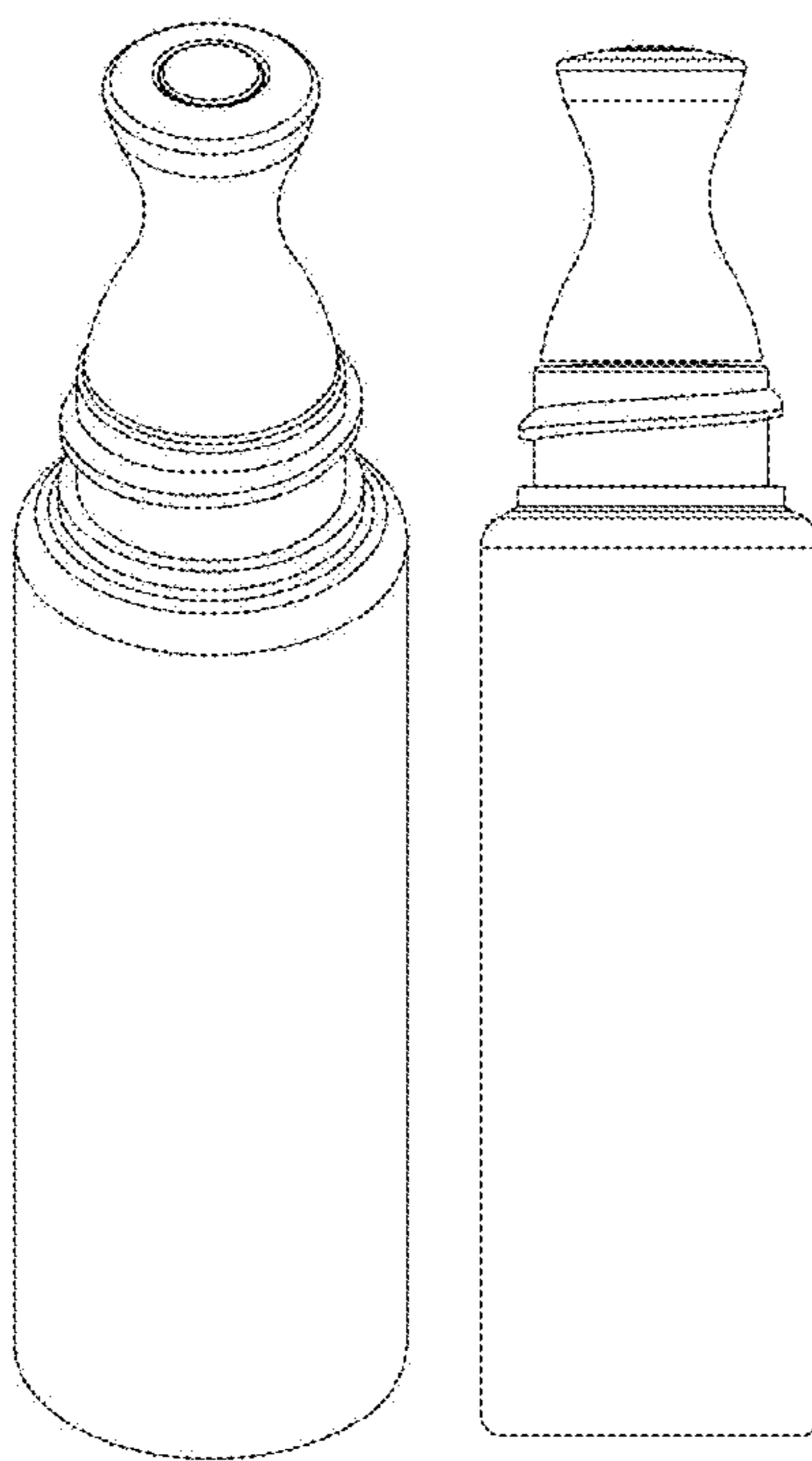
(57) **CLAIM**

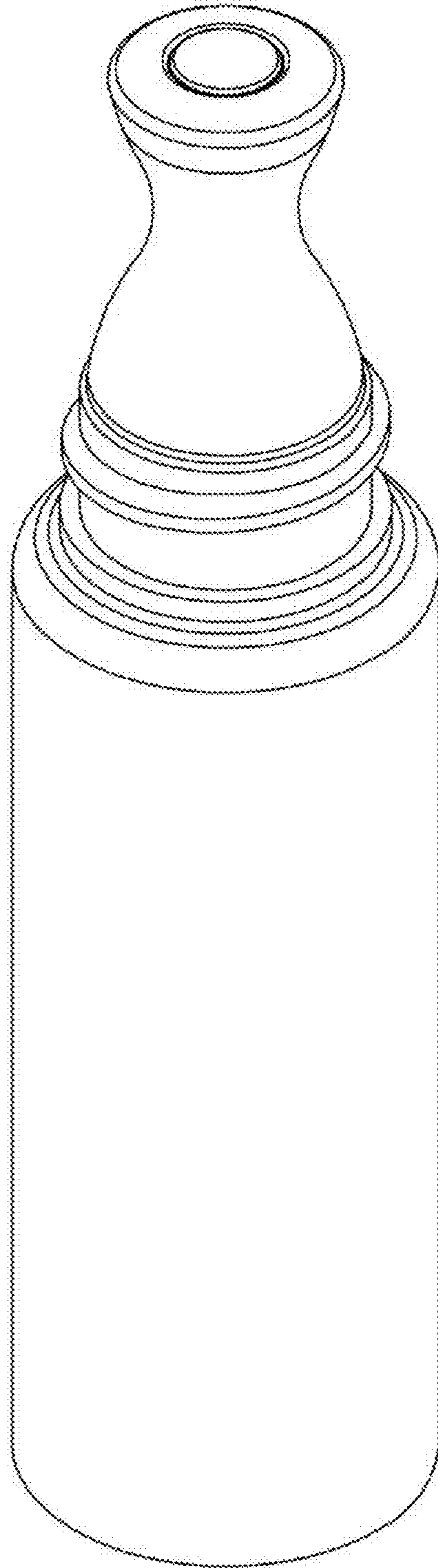
The applicant claims the ornamental design for a cosmetic container, as shown and described.

**DESCRIPTION**

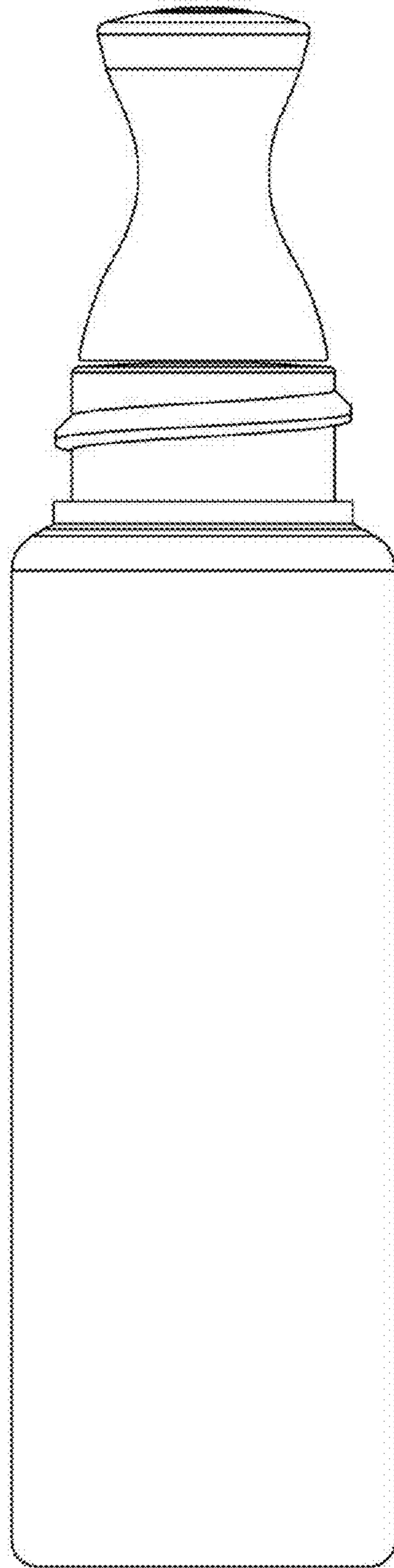
FIG. 1 is a perspective view of a cosmetic container showing my new design;  
FIG. 2 is a front elevational view thereof;  
FIG. 3 is a rear elevational view thereof;  
FIG. 4 is a left side elevational view thereof;  
FIG. 5 is a right side elevational view thereof;  
FIG. 6 is an enlarged top plan view thereof; and,  
FIG. 7 is a bottom plan view thereof.

**1 Claim, 7 Drawing Sheets**

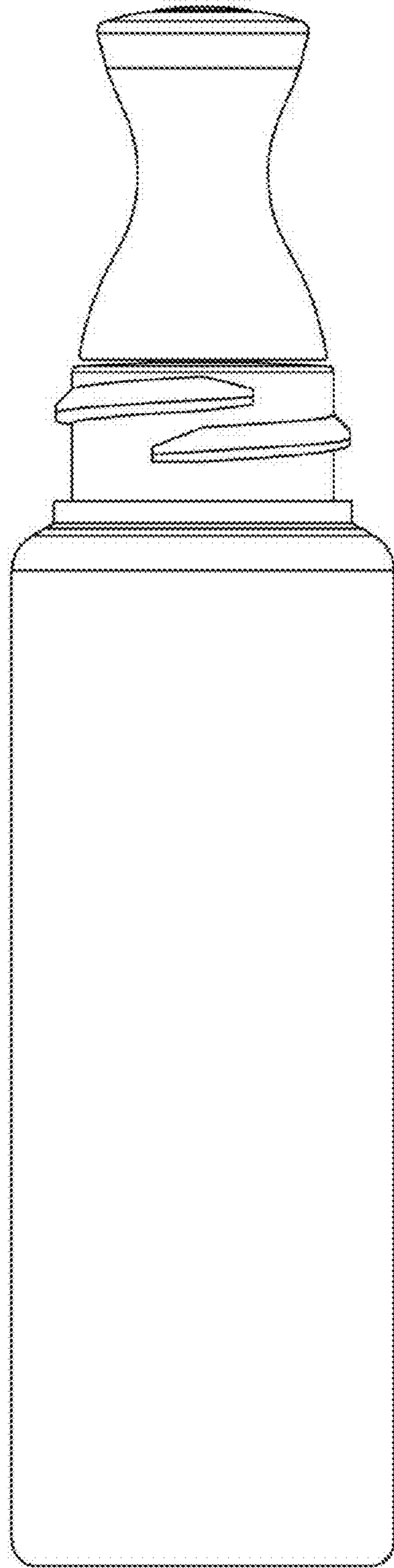




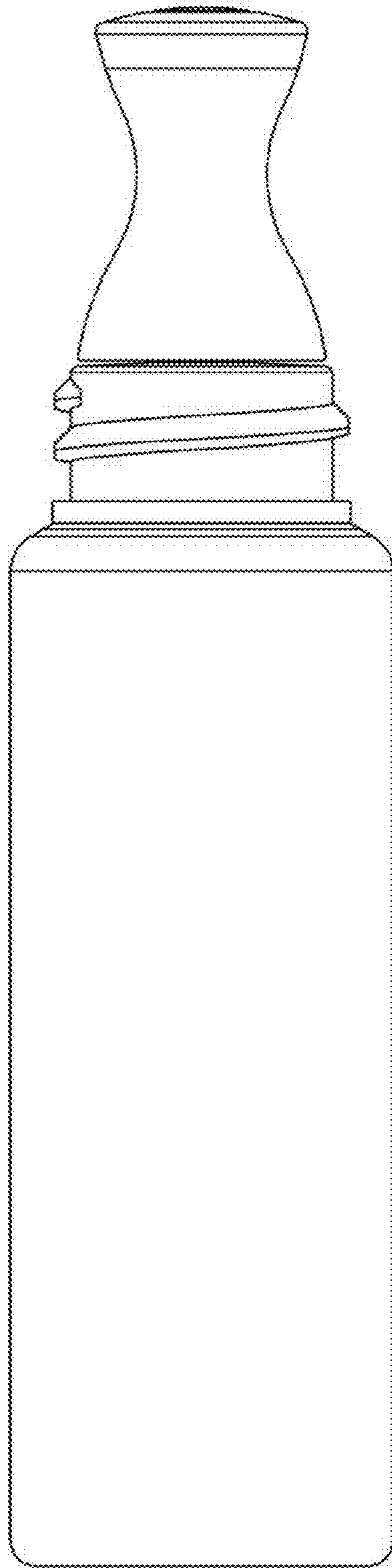
**FIG. 1**



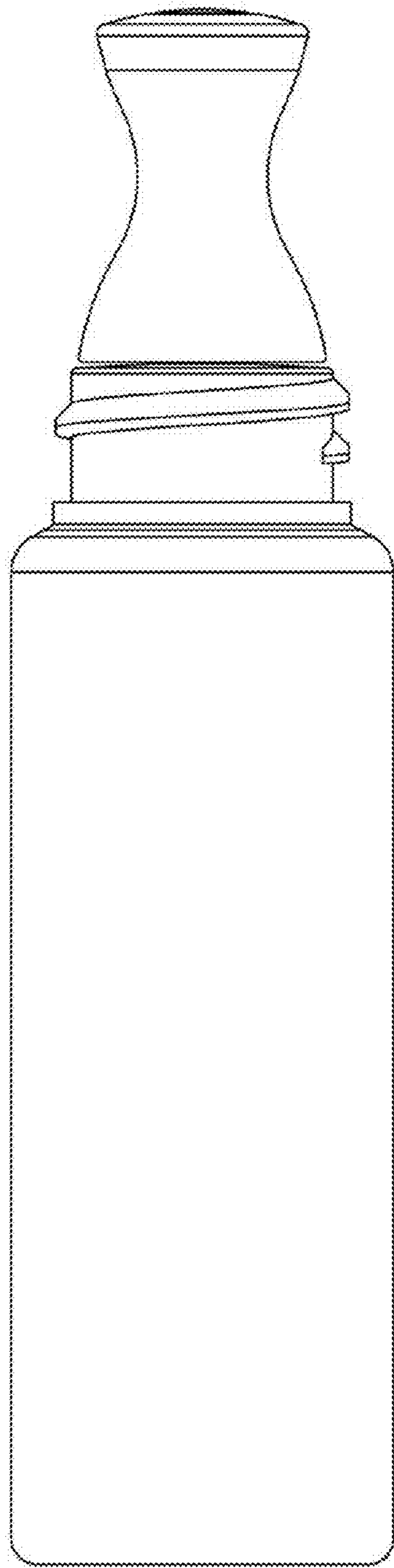
**FIG. 2**



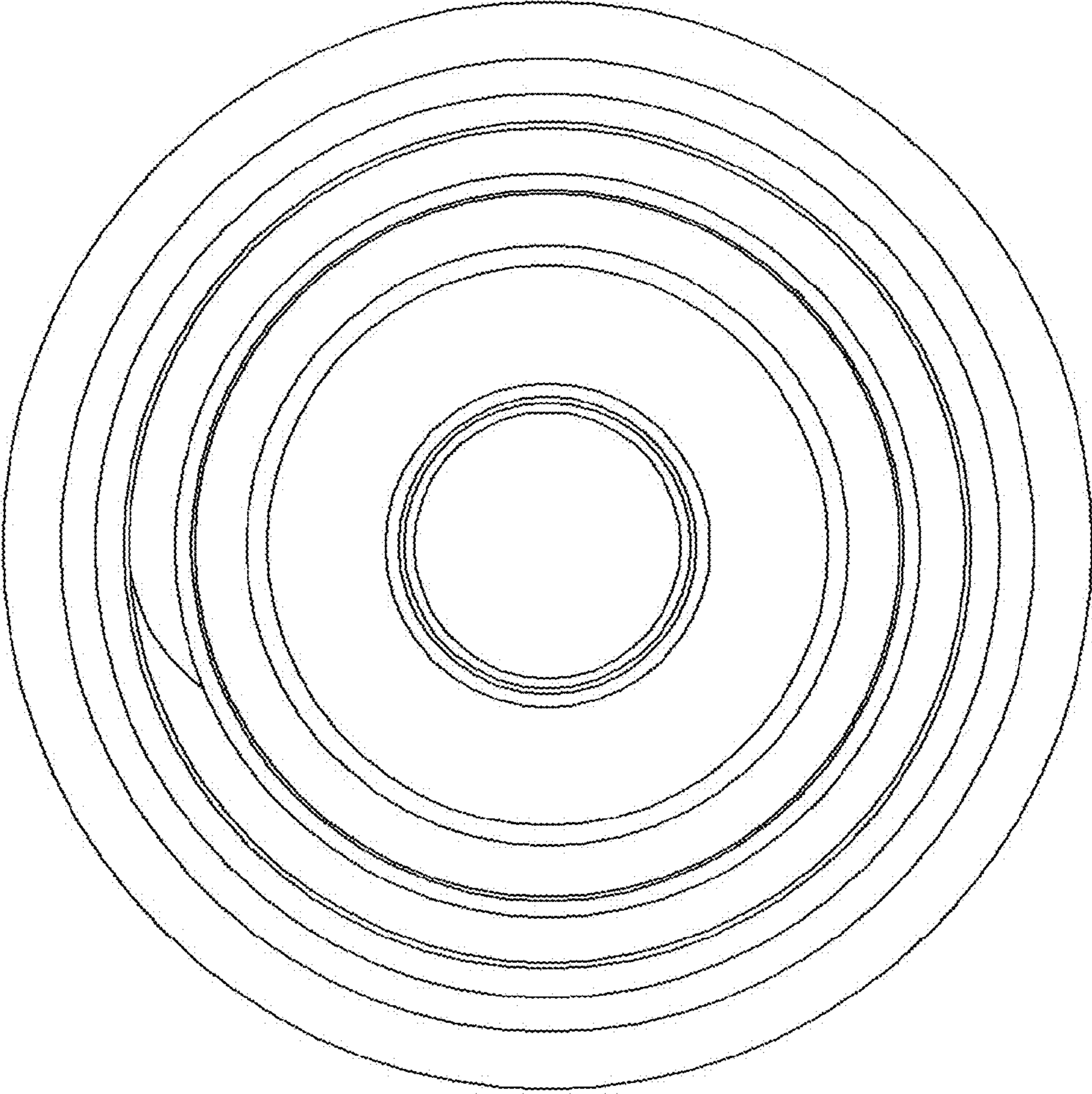
**FIG. 3**



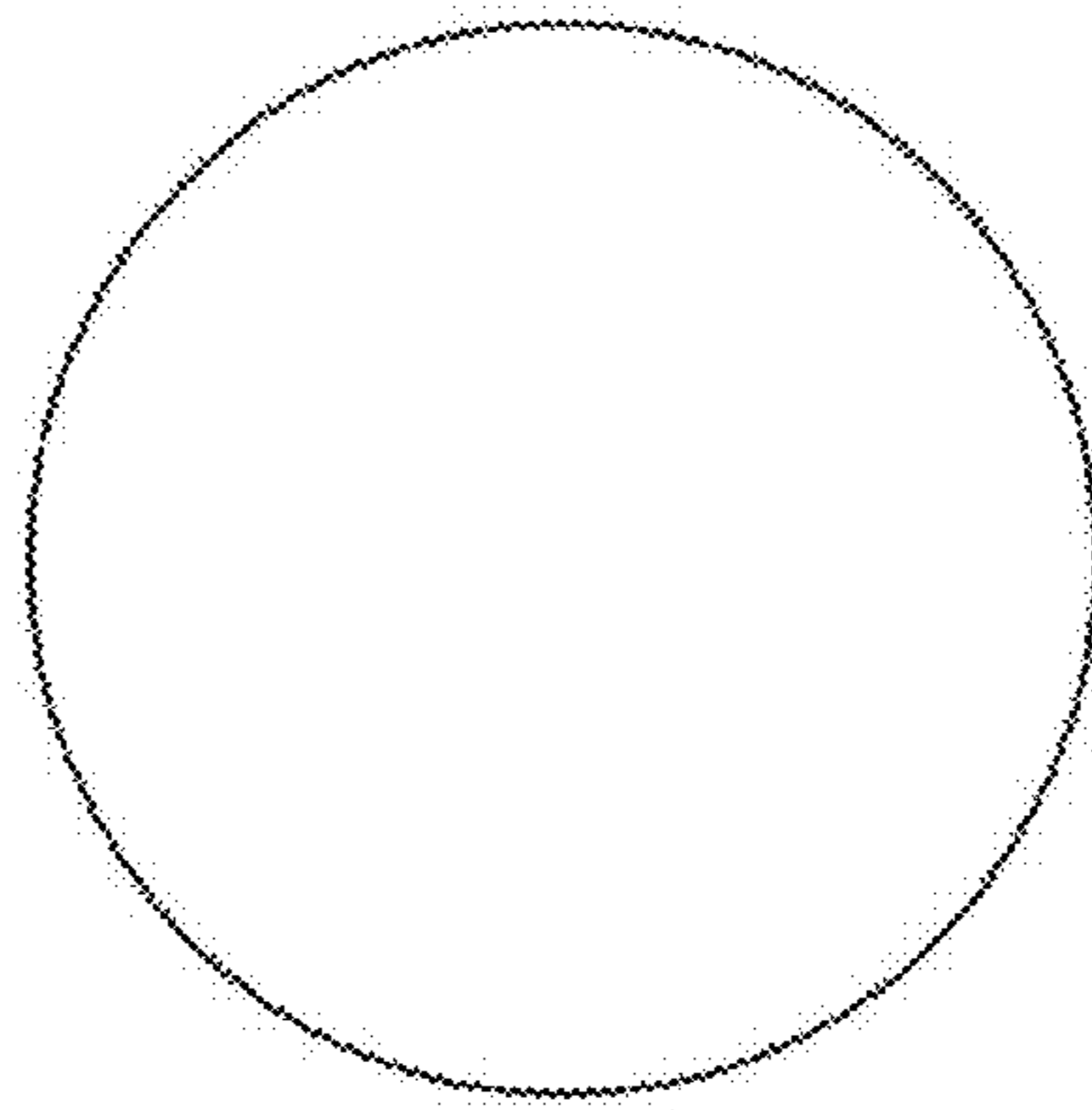
**FIG. 4**



**FIG. 5**



**FIG. 6**



***FIG. 7***