



US00D755632S

(12) **United States Design Patent**
Jelich et al.

(10) **Patent No.:** **US D755,632 S**

(45) **Date of Patent:** **** May 10, 2016**

(54) **CLOSURE**

(71) Applicant: **AptarGroup, Inc.**, Crystal Lake, IL
(US)

(72) Inventors: **Nicholas Jelich**, Oconomowoc, WI
(US); **Susan DeGroot**, Waukesha, WI
(US)

(73) Assignee: **AptarGroup, Inc.**, Crystal Lake, IL
(US)

(**) Term: **14 Years**

(21) Appl. No.: **29/494,356**

(22) Filed: **Jun. 19, 2014**

(51) **LOC (10) Cl.** **09-07**

(52) **U.S. Cl.**
USPC **D9/449**

(58) **Field of Classification Search**
USPC D7/392.1, 396.2; D9/435, 436, 440,
D9/443, 445, 446, 447, 448, 450, 452, 453,
D9/454
CPC B65D 47/32; B65D 47/243; B65D 83/28;
B65D 43/0212; B65D 55/024; B65D 47/0809;
B65D 2251/105; B65D 41/04; B65D 51/00
See application file for complete search history.

(56) **References Cited**

U.S. PATENT DOCUMENTS

D226,555 S * 3/1973 Weber D9/446
D278,414 S * 4/1985 Cho D9/446
D314,147 S * 1/1991 Davis D9/446
D390,462 S * 2/1998 Mao D9/435

D476,232 S * 6/2003 Maus D9/435
D540,677 S * 4/2007 Stull D9/447
D621,260 S * 8/2010 Brannon D9/446
D629,685 S * 12/2010 Brannon D9/446
D672,241 S * 12/2012 Sawicki D9/449
D695,115 S * 12/2013 Juna D9/447
D743,255 S * 11/2015 Niggemyer D9/435
D744,843 S * 12/2015 Llewellyn D9/449
2012/0168441 A1 * 7/2012 Lane B65D 47/242
220/212

* cited by examiner

Primary Examiner — Robert M Spear

(74) *Attorney, Agent, or Firm* — Wood, Phillips, Katz, Clark
& Mortimer

(57) **CLAIM**

The ornamental design for a closure, as shown and described.

DESCRIPTION

FIG. 1 is an isometric view taken from the top front and right side of a closure in the closed condition;
FIG. 2 is another isometric view thereof taken from the top rear and left side;
FIG. 3 is a front elevational view thereof;
FIG. 4 is a right side elevational view thereof, the left side elevational view thereof being a mirror image;
FIG. 5 is a rear elevational view thereof; and,
FIG. 6 is a top plan view thereof.

The undisclosed bottom view is unornamented, is not visible to the consumer when the closure is installed on a container (not shown), and forms no part of the claimed ornamental design.

In the drawings, the broken lines depict environmental subject matter only and form no part the claimed design.

1 Claim, 3 Drawing Sheets

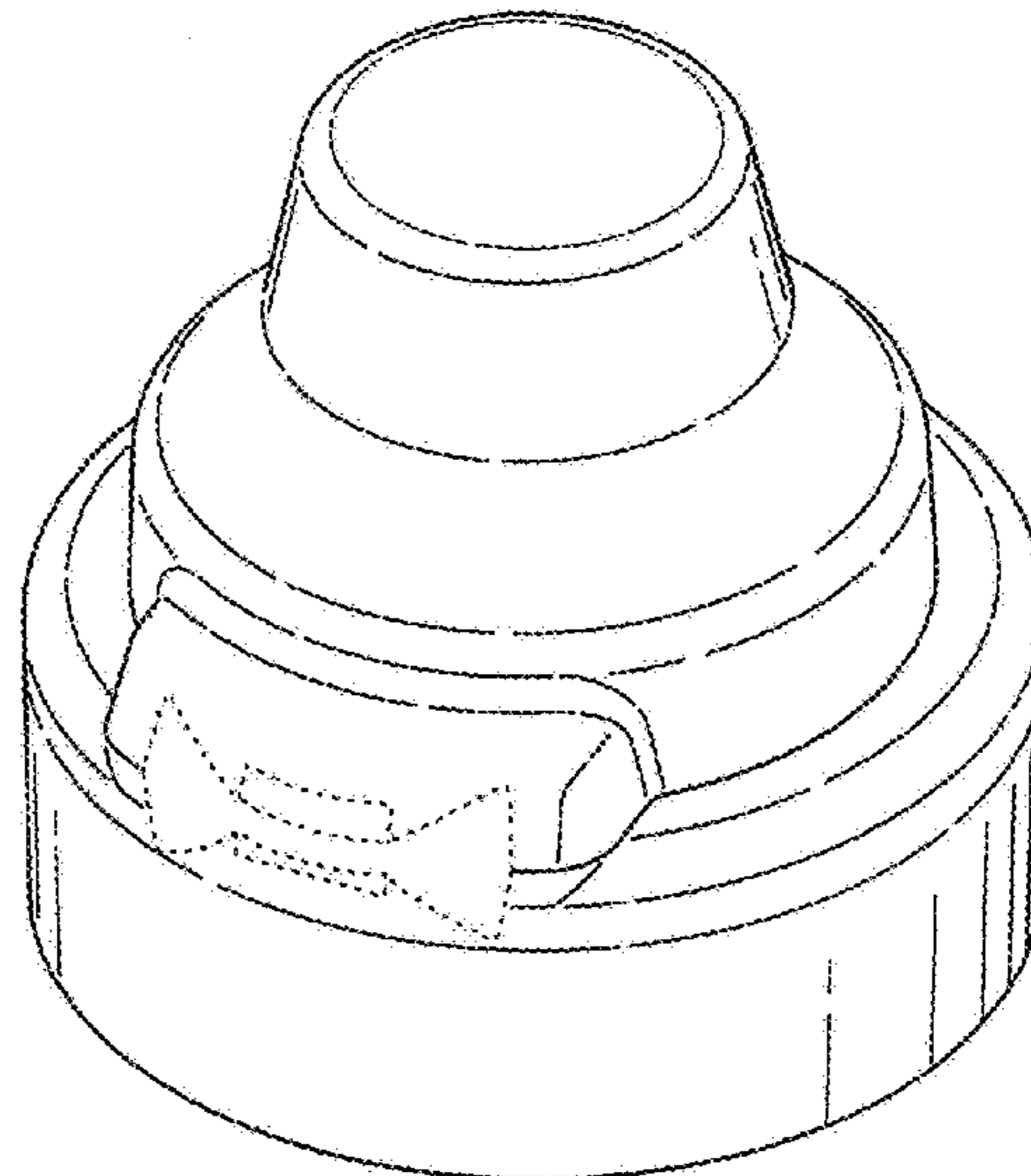
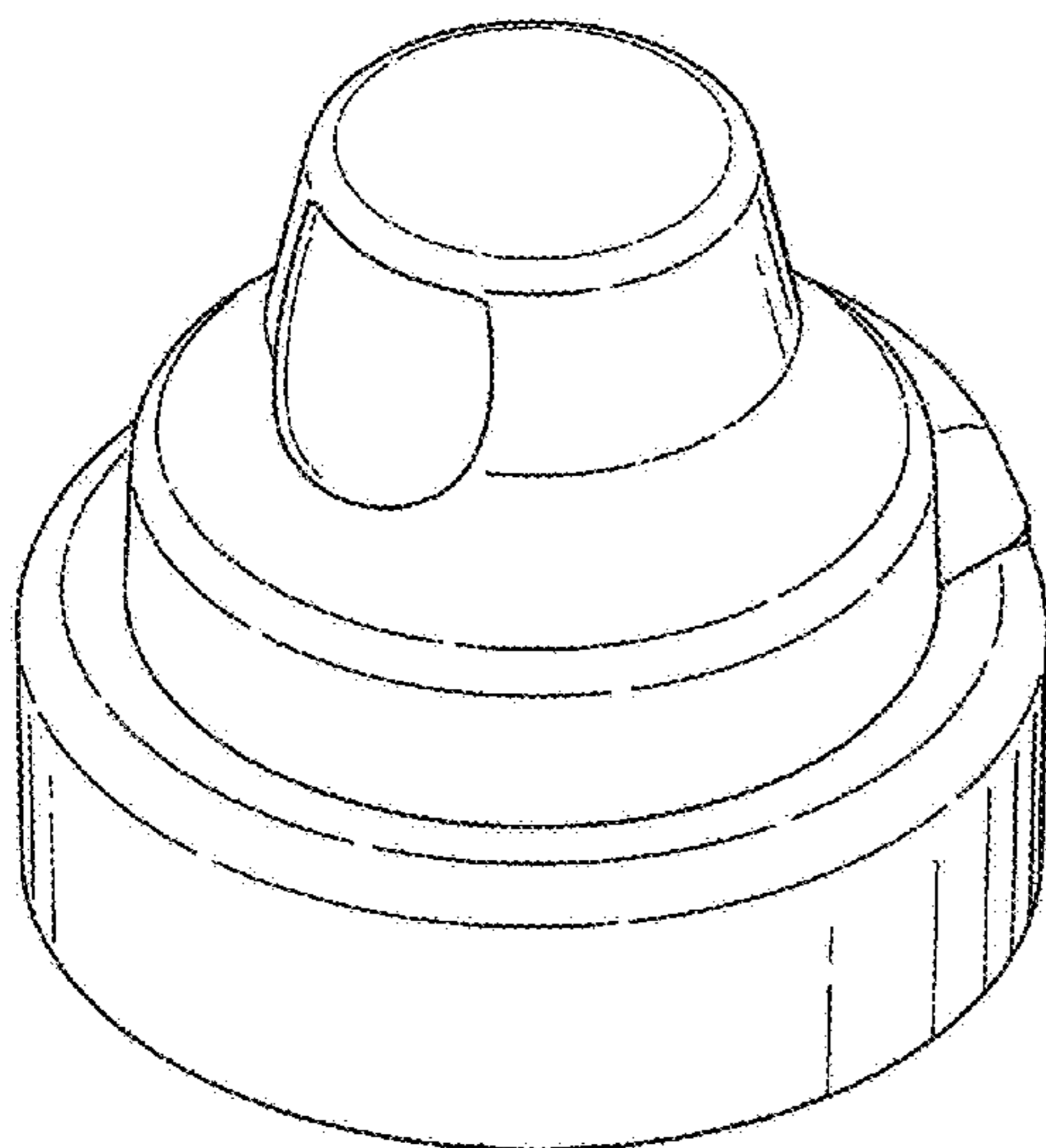


FIG. 1

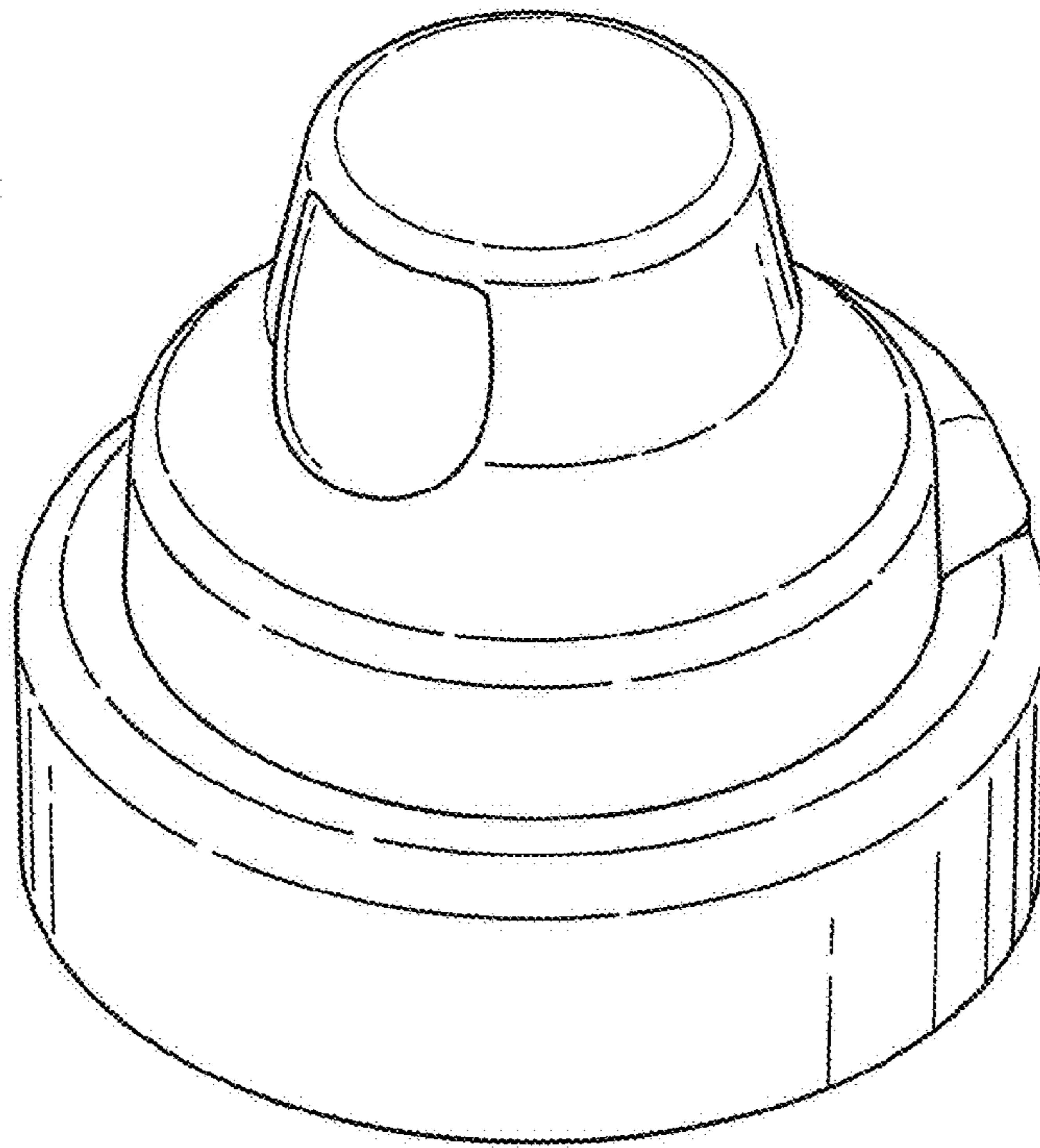
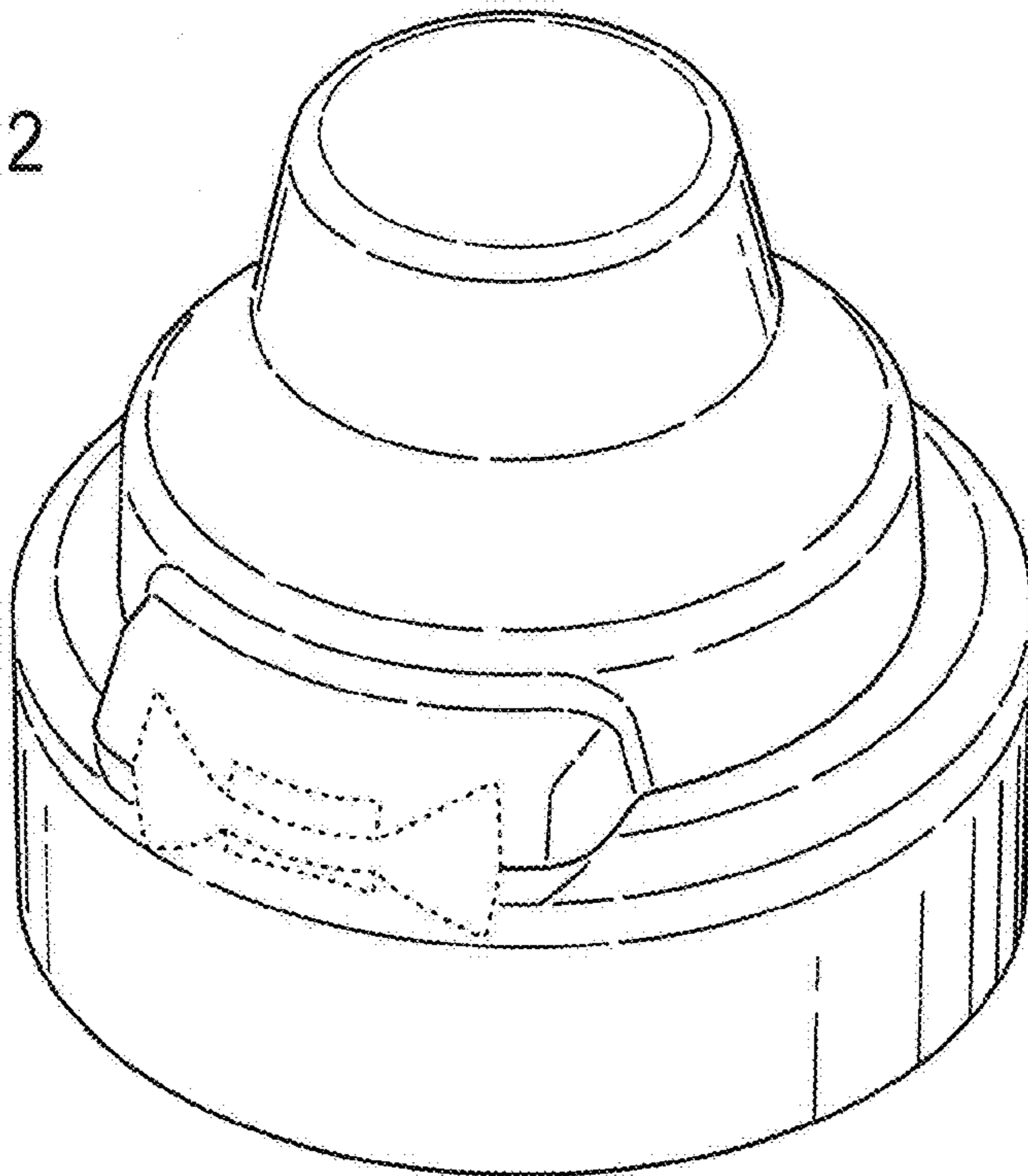


FIG. 2



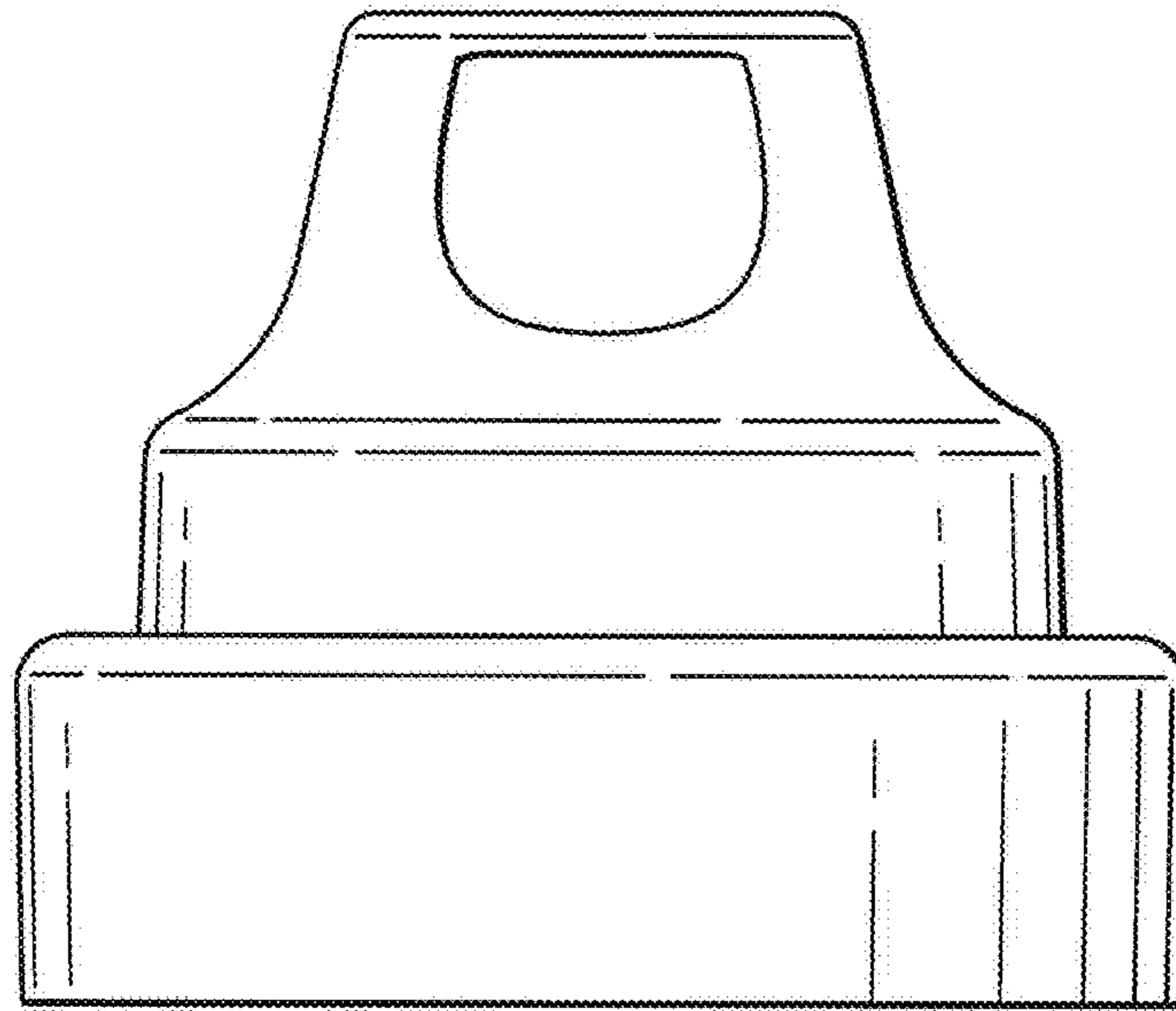


FIG. 3

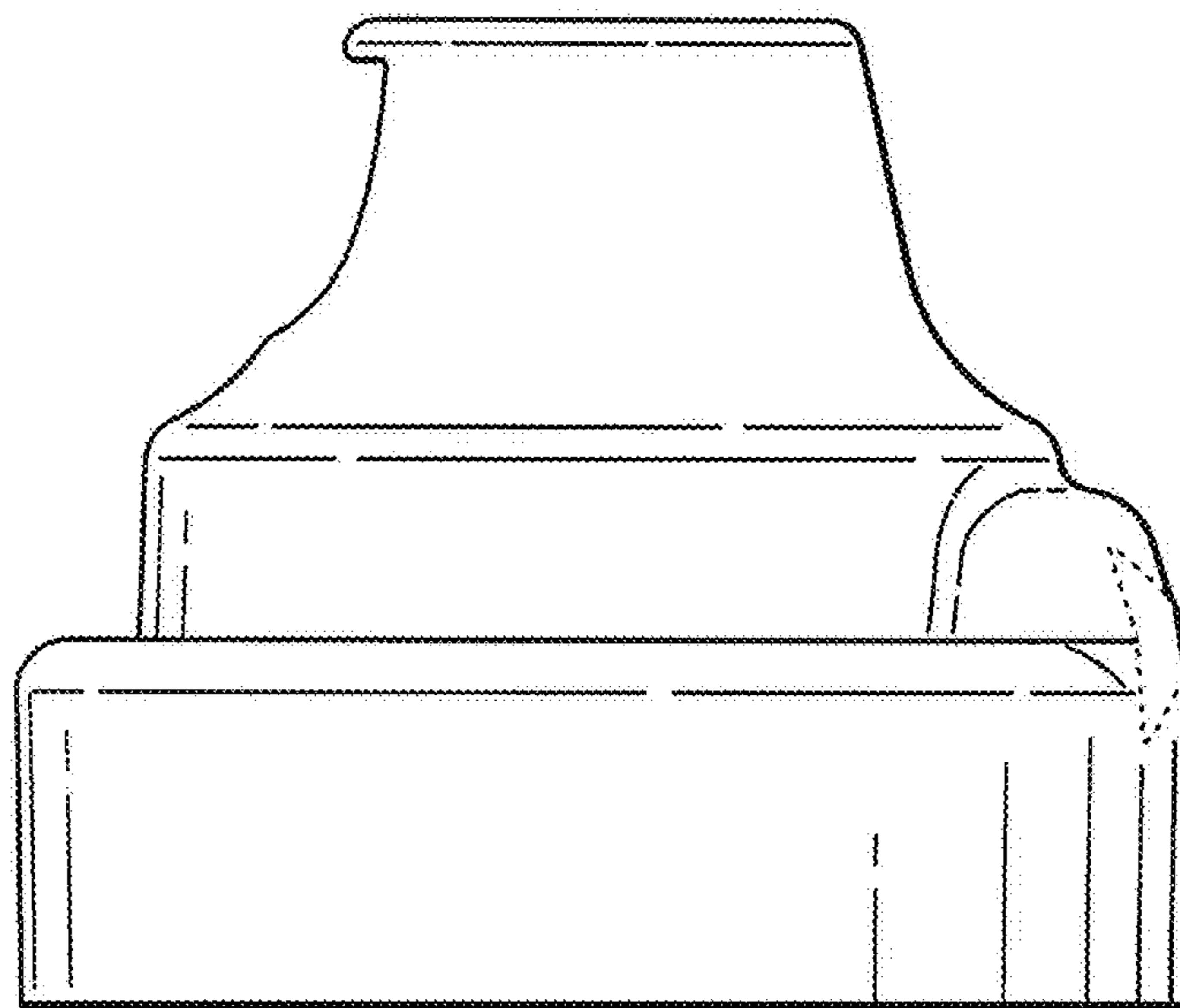


FIG. 4

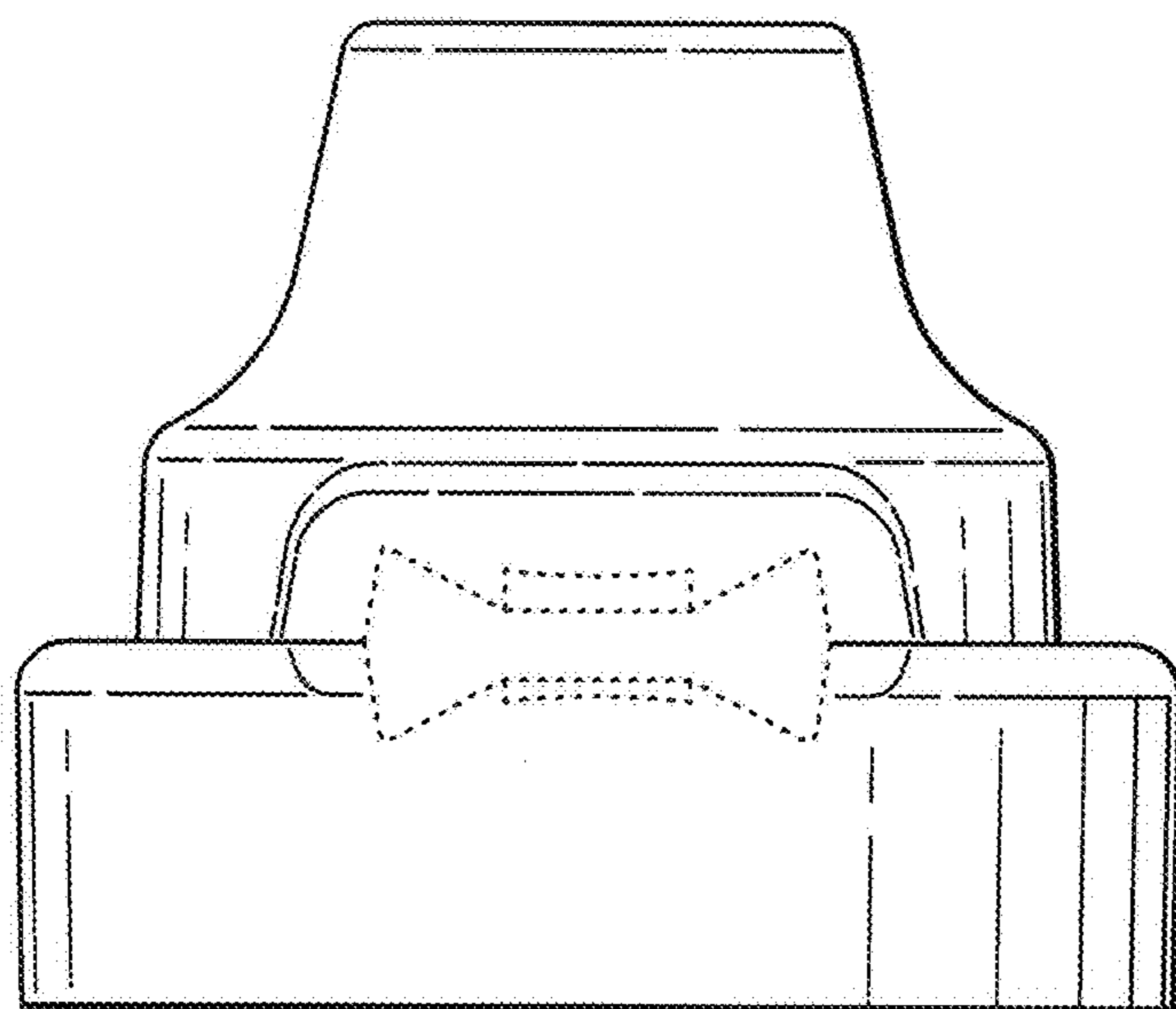


FIG. 5

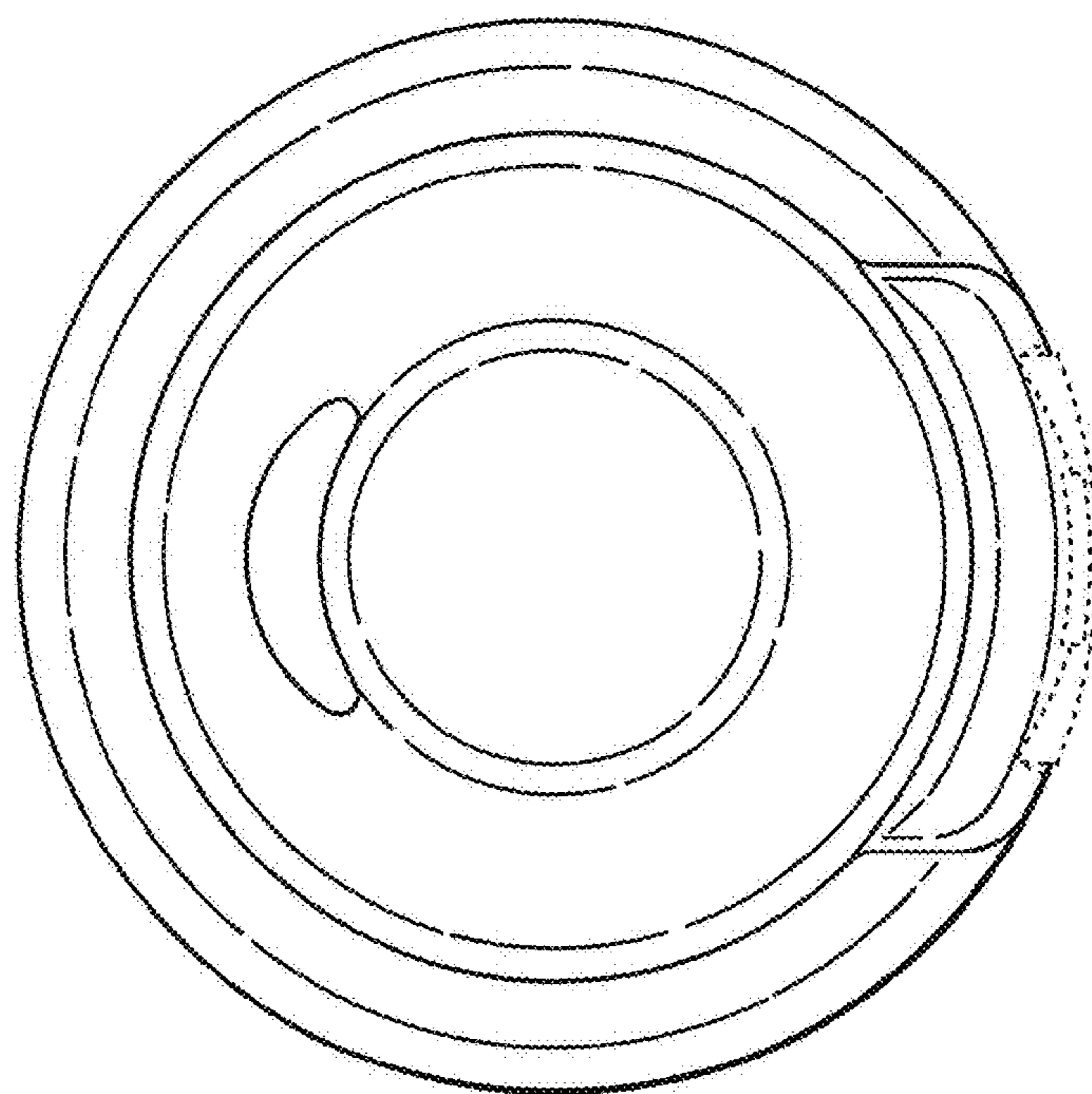


FIG. 6