



US00D755631S

(12) **United States Design Patent**
Mather

(10) **Patent No.:** **US D755,631 S**
(45) **Date of Patent:** **** May 10, 2016**

- (54) **FRAGRANCE BOTTLE**
- (71) Applicant: **Sillage LLC**, Newport Beach, CA (US)
- (72) Inventor: **Nicole Mather**, Newport Beach, CA (US)
- (73) Assignee: **Sillage LLC**
- (**) Term: **14 Years**
- (21) Appl. No.: **29/514,406**
- (22) Filed: **Jan. 12, 2015**
- (51) **LOC (10) Cl.** **09-01**
- (52) **U.S. Cl.**
USPC **D9/448**; D28/91.1; D9/682; D9/686
- (58) **Field of Classification Search**
USPC D3/202, 273, 294; D7/300, 300.1, D7/396.2, 398, 509, 511, 513, 525, 527, D7/529, 531, 619.1, 900; D9/434, 435, D9/436, 440, 447, 448, 449, 452, 453, 454, D9/523, 529, 682, 686; D23/206, 260, D23/360; D24/121, 127, 224; D29/91.1; 215/201, 216, 224, 239, 235, 237, 243, 215/249, 256, 306, 316, 317, 396, 711, 724, 215/730, 731, 837, 847; 220/252, 254.1, 220/254.2, 258, 263, 367.1, 375; 222/109, 222/153.1, 153.11, 153.14, 464.1, 498, 546, 222/547, 562
CPC B65D 1/02; B65D 1/323; B65D 85/40; B65D 41/56; B65D 41/62; B65D 47/06; B65D 47/08; A45D 34/00; A45D 34/042; A45D 40/22; A47G 19/22; A47G 19/2205; A47G 19/2255; A47G 19/2266
See application file for complete search history.

- D316,972 S * 5/1991 Law D9/448
- D367,605 S * 3/1996 Moore D9/529
- D423,293 S * 4/2000 Pischke D7/605
- D521,230 S * 5/2006 Linz D3/202
- D525,142 S * 7/2006 Baron D9/682

(Continued)

OTHER PUBLICATIONS

House of Sillage_Dignified: Announced Jul. 8, 2015 [online], site visited Mar. 4, 2016. Available from Internet URL: <http://www.fragrantica.com/perfume/House-Of-Sillage/Dignified-31487.html>.*

(Continued)

Primary Examiner — Thomas Johannes
Assistant Examiner — Catherine Posthauer
(74) *Attorney, Agent, or Firm* — Perkins Coie LLP

(57) **CLAIM**
The ornamental design for the fragrance bottle, as shown and described.

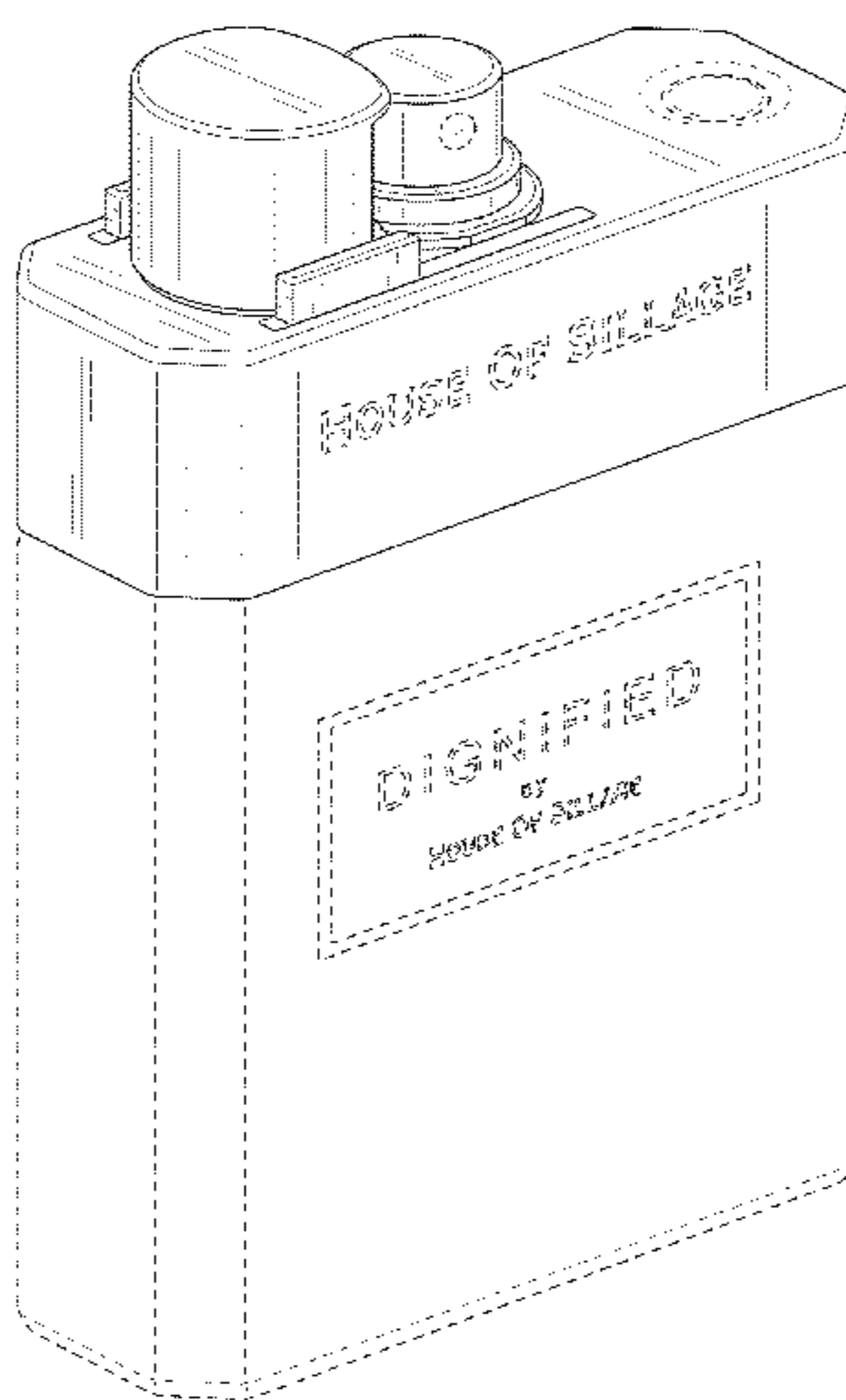
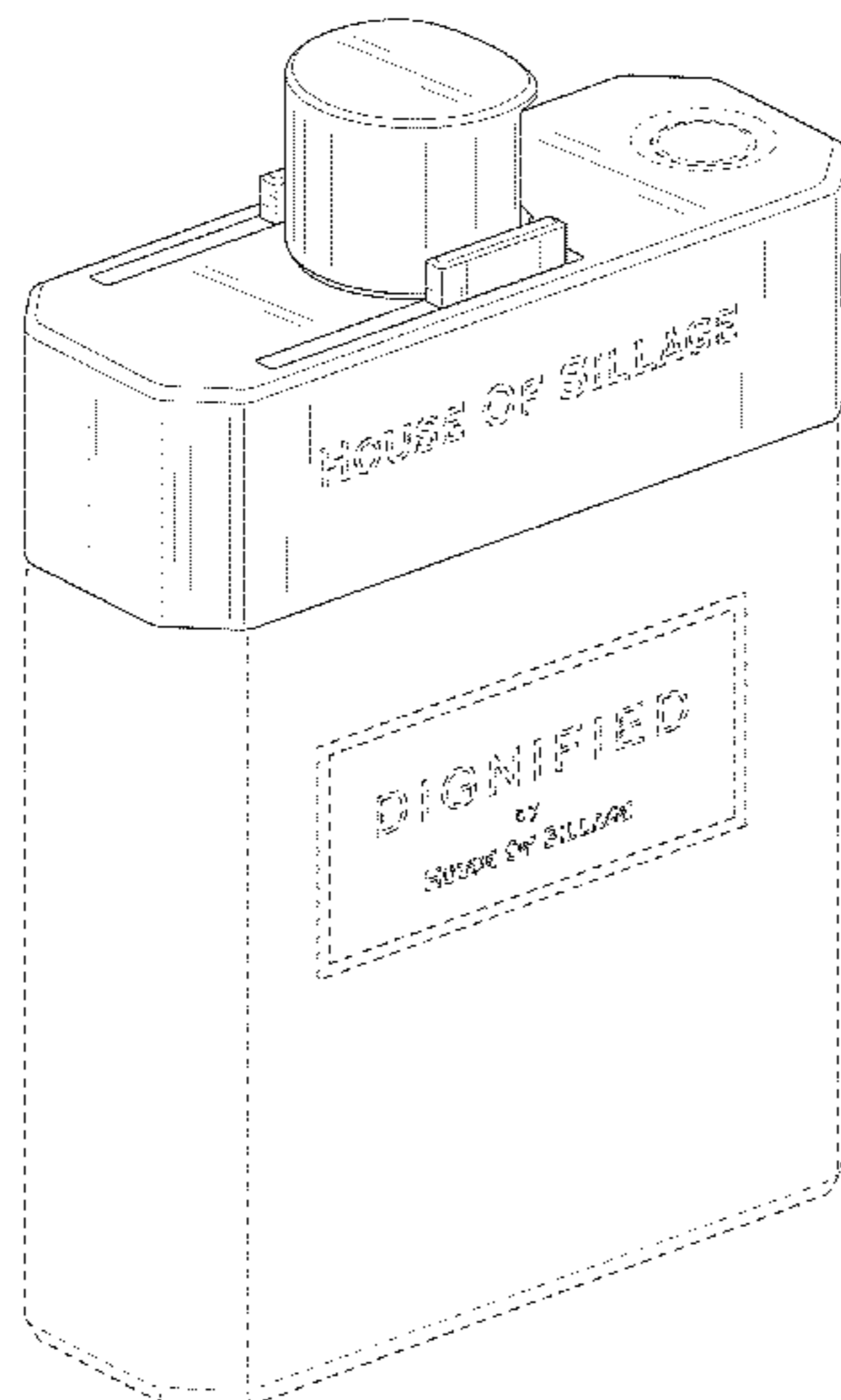
DESCRIPTION

FIG. 1 is a top isometric view of a fragrance bottle showing my new design.
FIG. 2 is a front elevation view thereof.
FIG. 3 is a back elevation view thereof.
FIG. 4 is a top plan view thereof.
FIG. 5 is a bottom plan view thereof.
FIG. 6 is a left side elevation view thereof.
FIG. 7 is a right side elevation view thereof.
FIG. 8 is a top isometric view of the thereof shown in an alternate configuration.
FIG. 9 is a side elevational view thereof shown in the alternate configuration; and,
FIG. 10 is a top plan view thereof shown in the alternate configuration.
Appendix A includes additional views of the fragrance bottle. The broken lines are shown for the purpose of illustrating parts of the fragrance bottle that form no part of the claim.

1 Claim, 9 Drawing Sheets

(56) **References Cited**
U.S. PATENT DOCUMENTS

- D100,494 S * 7/1936 Glover D9/724
- D157,238 S * 2/1950 Cotter D27/159



(56)

References Cited

U.S. PATENT DOCUMENTS

D530,606 S * 10/2006 Liebe D9/440
D531,049 S * 10/2006 De France D9/682
D585,760 S * 2/2009 Cheng D9/682
D599,670 S * 9/2009 Qin D9/529
D611,811 S * 3/2010 Gilbert D9/443
D614,487 S * 4/2010 Beam D9/435
D614,497 S * 4/2010 Pola D9/443
D623,058 S * 9/2010 Gilbert D9/443
D695,131 S * 12/2013 Mansau D9/690
D696,591 S * 12/2013 Chertoff D9/682
8,657,136 B2 * 2/2014 Adler B65D 50/046
215/201
D704,056 S * 5/2014 Chertoff D9/448
D718,044 S * 11/2014 Vargo D3/202

D730,317 S * 5/2015 Silvera D14/207
D732,394 S * 6/2015 DeMarco D9/444
D746,261 S * 12/2015 Silvera D14/207
2002/0003152 A1 * 1/2002 Garcia B65D 83/38
222/321.9
2007/0186924 A1 * 8/2007 Terrasi B05B 11/0032
128/200.23
2015/0368087 A1 * 12/2015 Birtcher B67D 7/0272
222/464.1

OTHER PUBLICATIONS

House of Sillage Cologne: Site visited Mar. 4, 2016. Available from Internet URL: <http://houseofsillage.com/collections/mens-signature-collection>.*

* cited by examiner

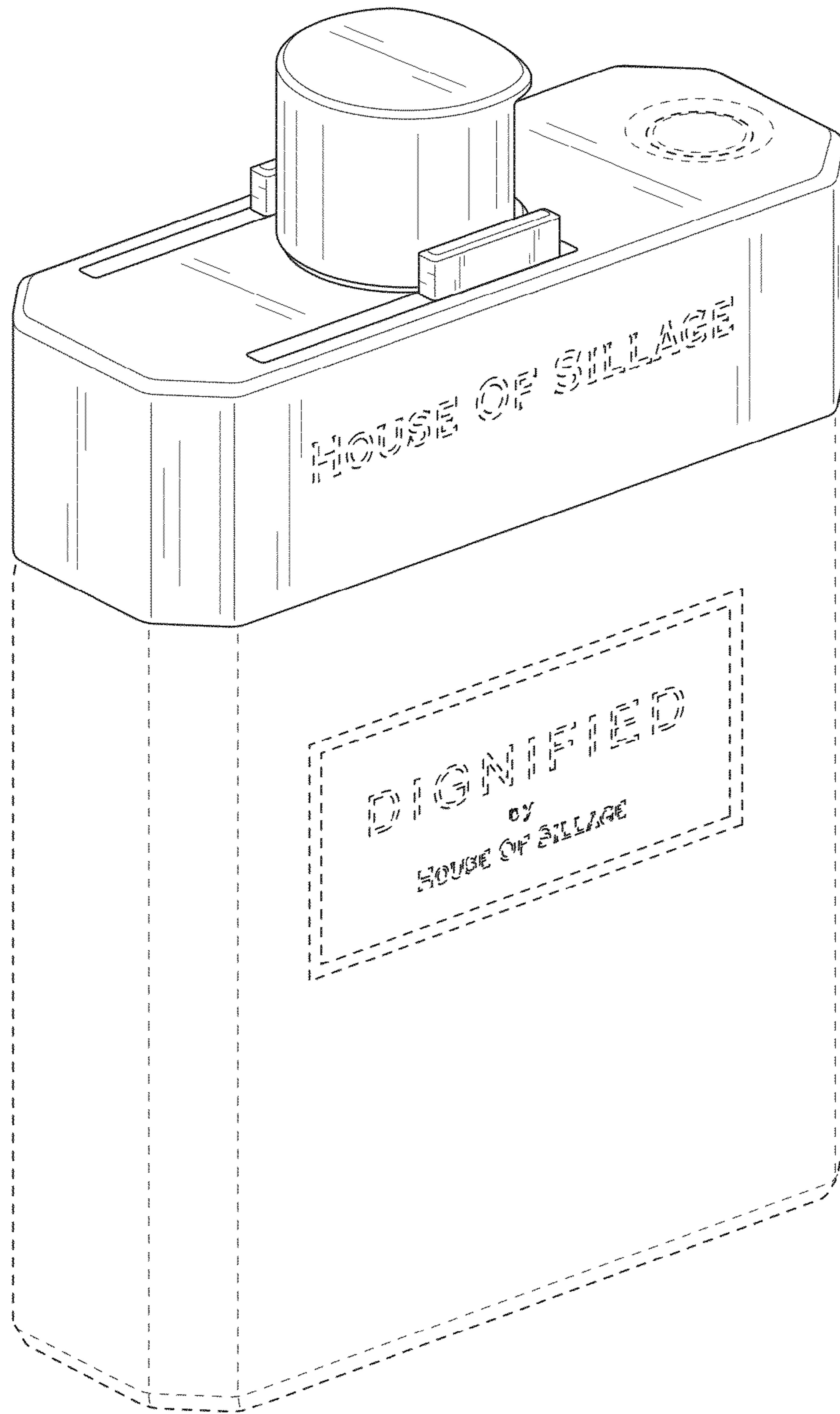


Fig. 1



Fig. 2

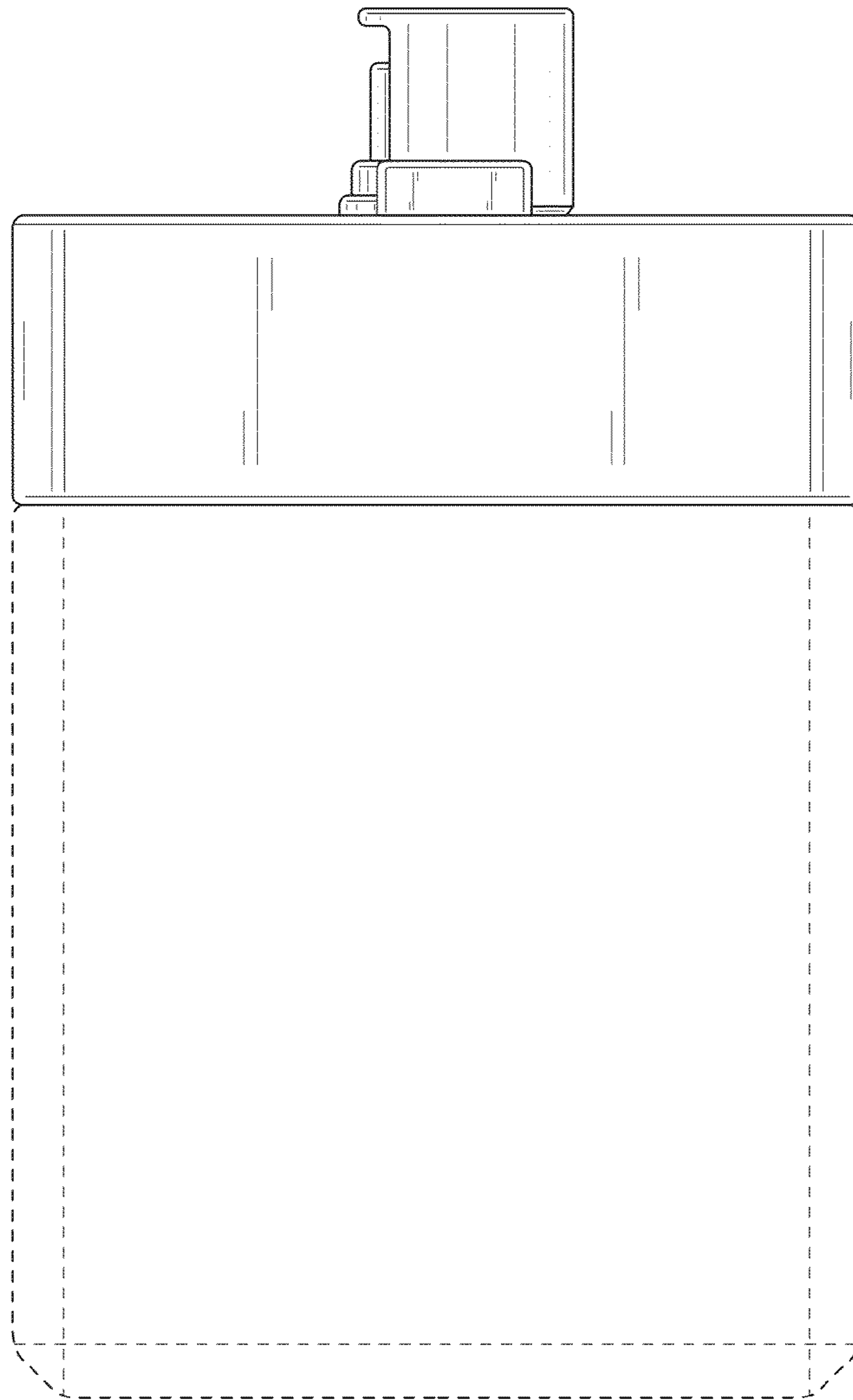


Fig. 3

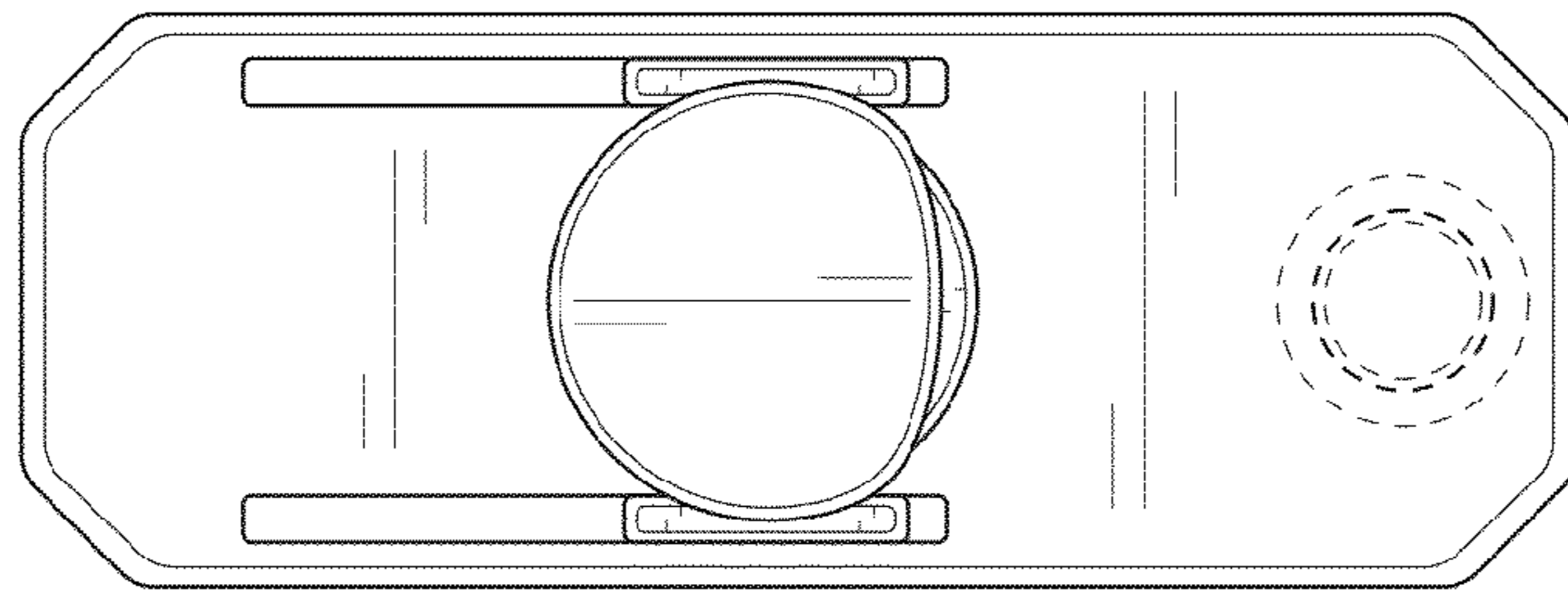


Fig. 4



Fig. 5

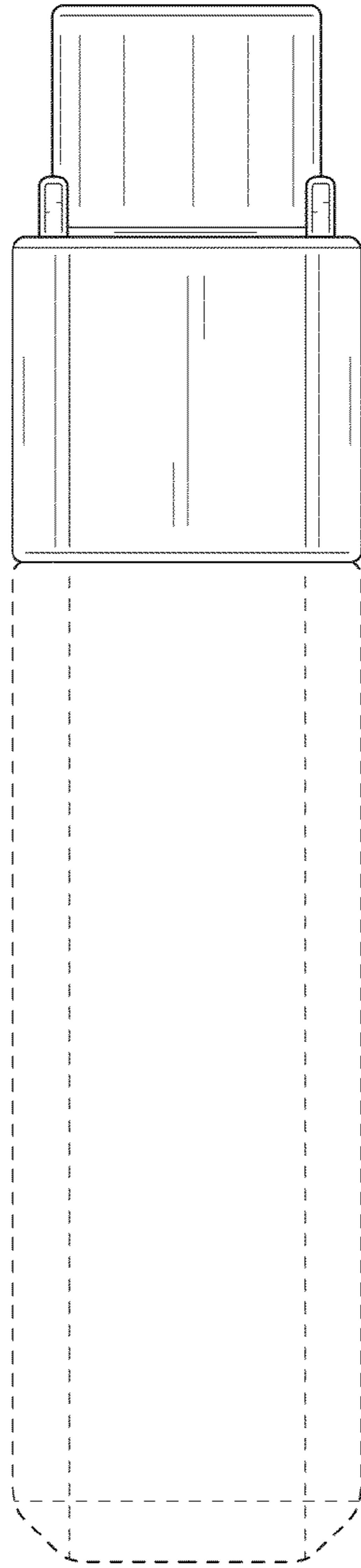


Fig. 6

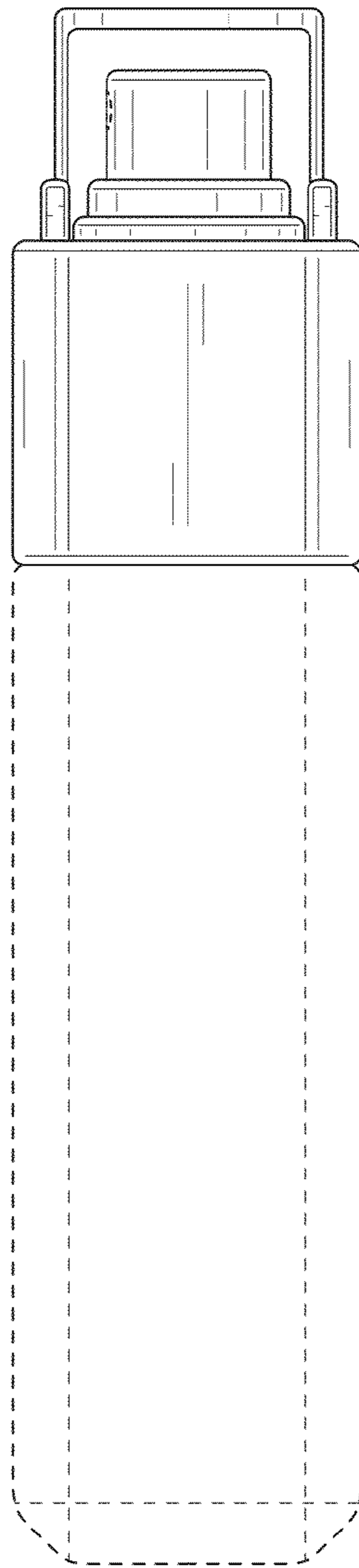


Fig. 7

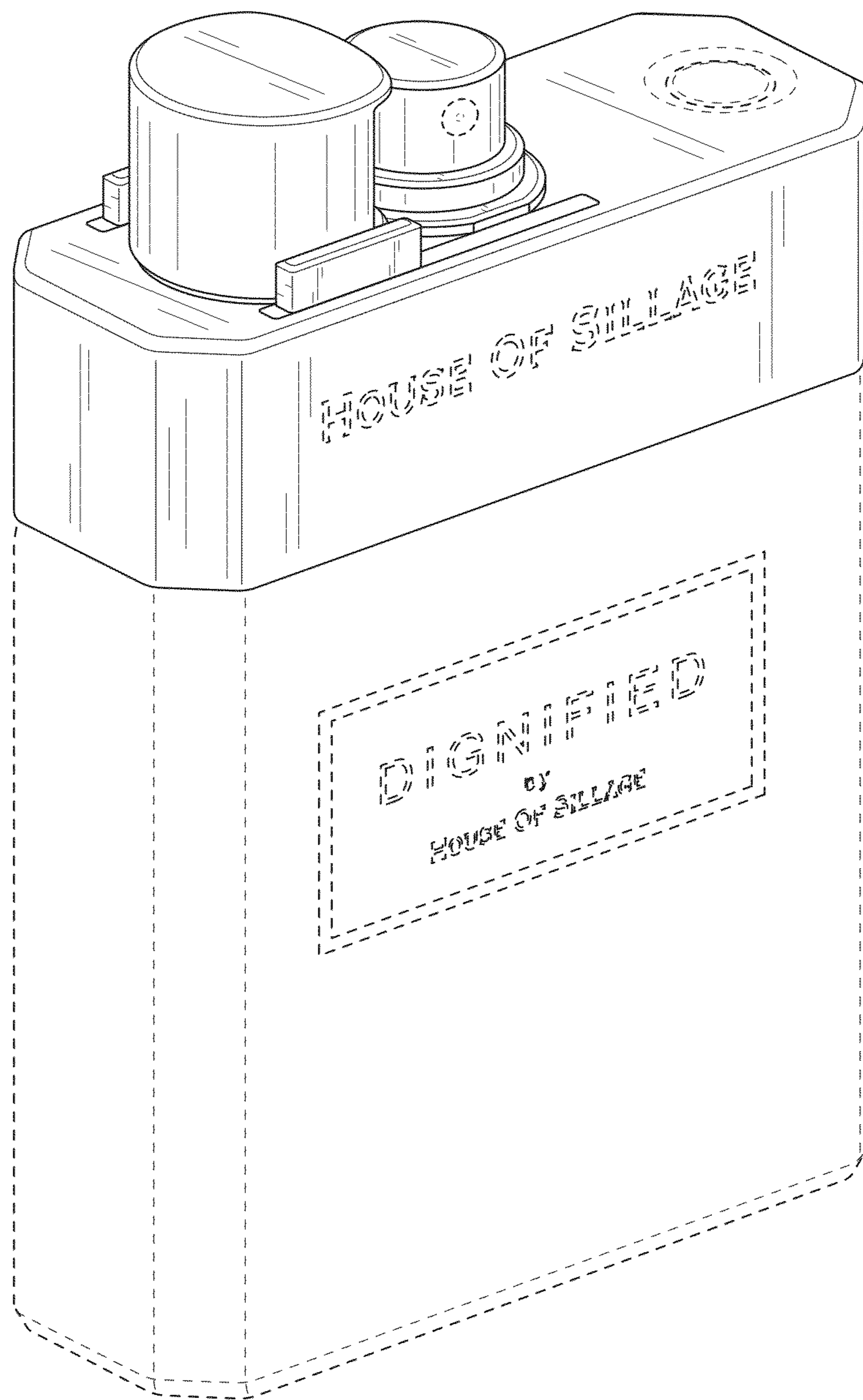


Fig. 8

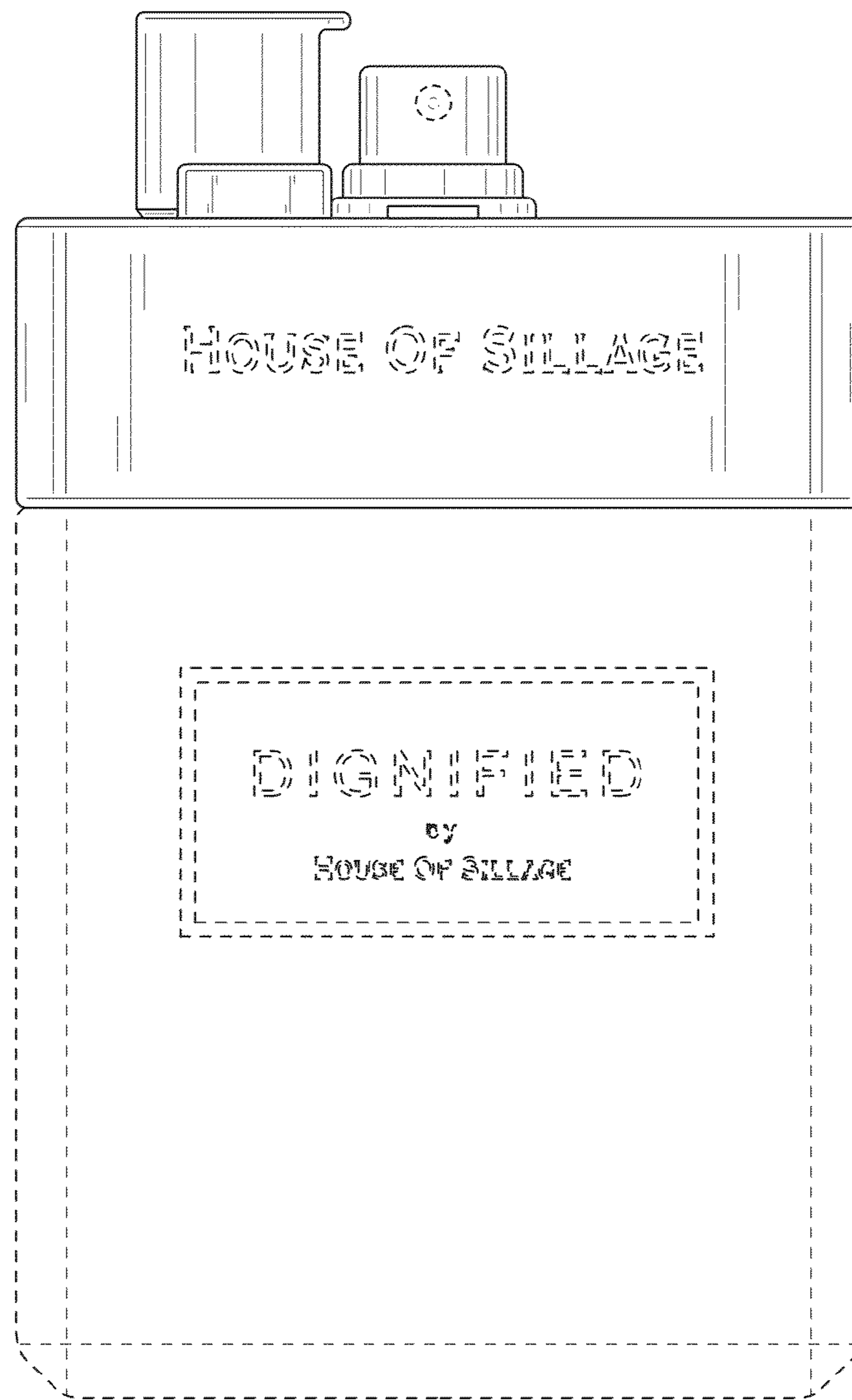


Fig. 9

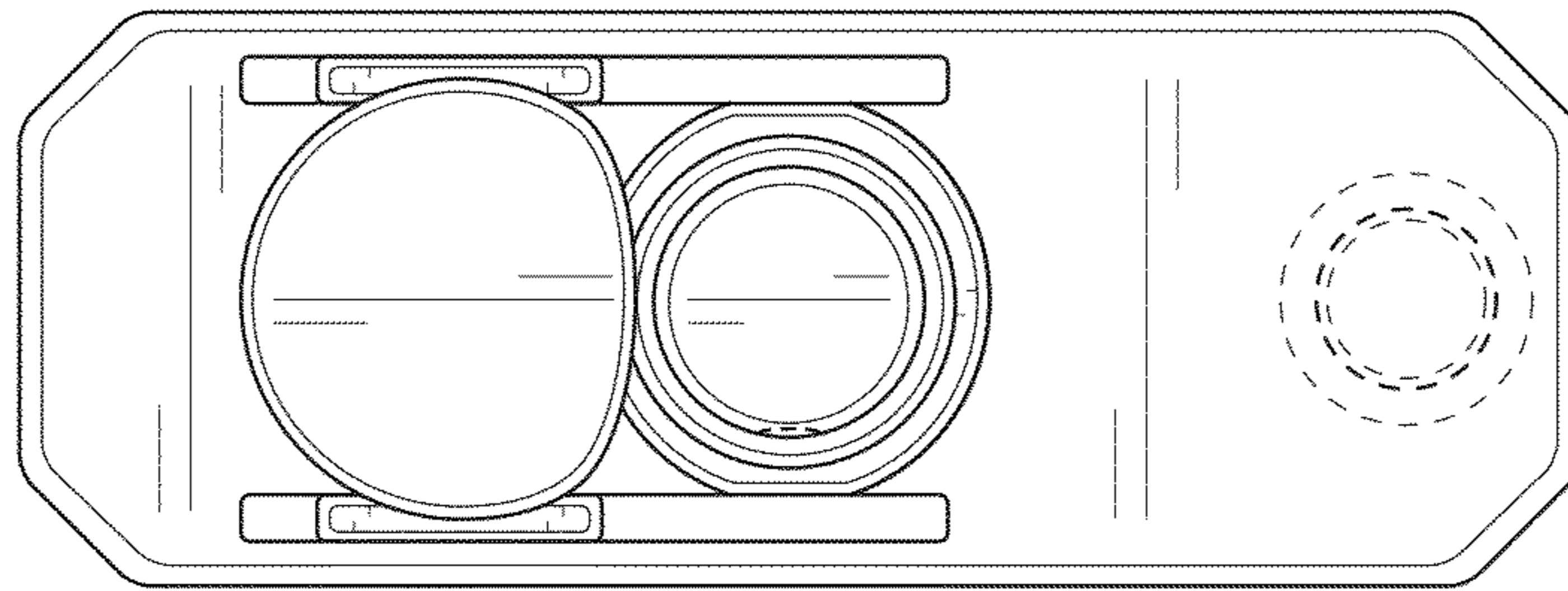


Fig. 10