



US00D755630S

(12) **United States Design Patent**
Marraccini

(10) **Patent No.:** **US D755,630 S**

(45) **Date of Patent:** **** May 10, 2016**

(54) **POWDER DISPENSER COVER WITH ANGLED NOZZLE**

(71) Applicant: **Anthony Marraccini**, Purchase, NY (US)

(72) Inventor: **Anthony Marraccini**, Purchase, NY (US)

(**) Term: **15 Years**

(21) Appl. No.: **29/528,248**

(22) Filed: **May 27, 2015**

(51) **LOC (10) Cl.** **09-07**

(52) **U.S. Cl.**
USPC **D9/447**

(58) **Field of Classification Search**
USPC D7/300.1, 392, 510, 511; D9/434-436, D9/440, 443-445, 447-450, 452-454, D9/499; 222/209, 361, 478, 556
CPC B65D 47/06; B65D 47/065
See application file for complete search history.

(56) **References Cited**

U.S. PATENT DOCUMENTS

D94,373 S *	1/1935	Williams	D7/300.1
D125,632 S *	3/1941	Chapman	D7/300.1
D190,254 S *	5/1961	Trexler	222/478
D193,956 S *	10/1962	Yonkers	D23/363
3,139,224 A *	6/1964	Bloom	B65D 47/065 222/478
3,190,511 A *	6/1965	Daly	B65D 47/06 222/478
3,348,716 A	10/1967	Nakata		
D284,947 S *	8/1986	Cousins	D9/445
5,662,249 A	9/1997	Grosse		
6,484,905 B1	11/2002	Swackhamer et al.		
D604,609 S *	11/2009	Barker	D9/447
D632,176 S *	2/2011	McKinney	D9/450
D633,385 S *	3/2011	Baker	D9/447
D641,625 S *	7/2011	Kaplan	D9/447
8,181,830 B2	5/2012	Flores		
D732,341 S *	6/2015	Matharu	D7/300

* cited by examiner

Primary Examiner — Robert M Spear

Assistant Examiner — Darcey E Heflin

(74) *Attorney, Agent, or Firm* — John S. Economou

(57) **CLAIM**

The ornamental design for a powder dispenser cover with angled nozzle, as shown and described.

DESCRIPTION

FIG. 1 is a bottom right perspective view of a first embodiment of a powder dispenser cover with angled nozzle of the present invention;

FIG. 2 is a front side view thereof;

FIG. 3 is a back side view thereof;

FIG. 4 is a left side view thereof;

FIG. 5 is a right side view thereof;

FIG. 6 is a top view thereof;

FIG. 7 is a bottom view thereof;

FIG. 8 is a bottom right perspective view of a second embodiment of a powder dispenser cover with angled nozzle of the present invention;

FIG. 9 is a front side view thereof;

FIG. 10 is a back side view thereof;

FIG. 11 is a left side view thereof;

FIG. 12 is a right side view thereof;

FIG. 13 is a top view thereof;

FIG. 14 is a bottom view thereof;

FIG. 15 is a bottom right perspective view of a third embodiment of a powder dispenser cover with angled nozzle of the present invention;

FIG. 16 is a front side view thereof;

FIG. 17 is a back side view thereof;

FIG. 18 is a left side view thereof;

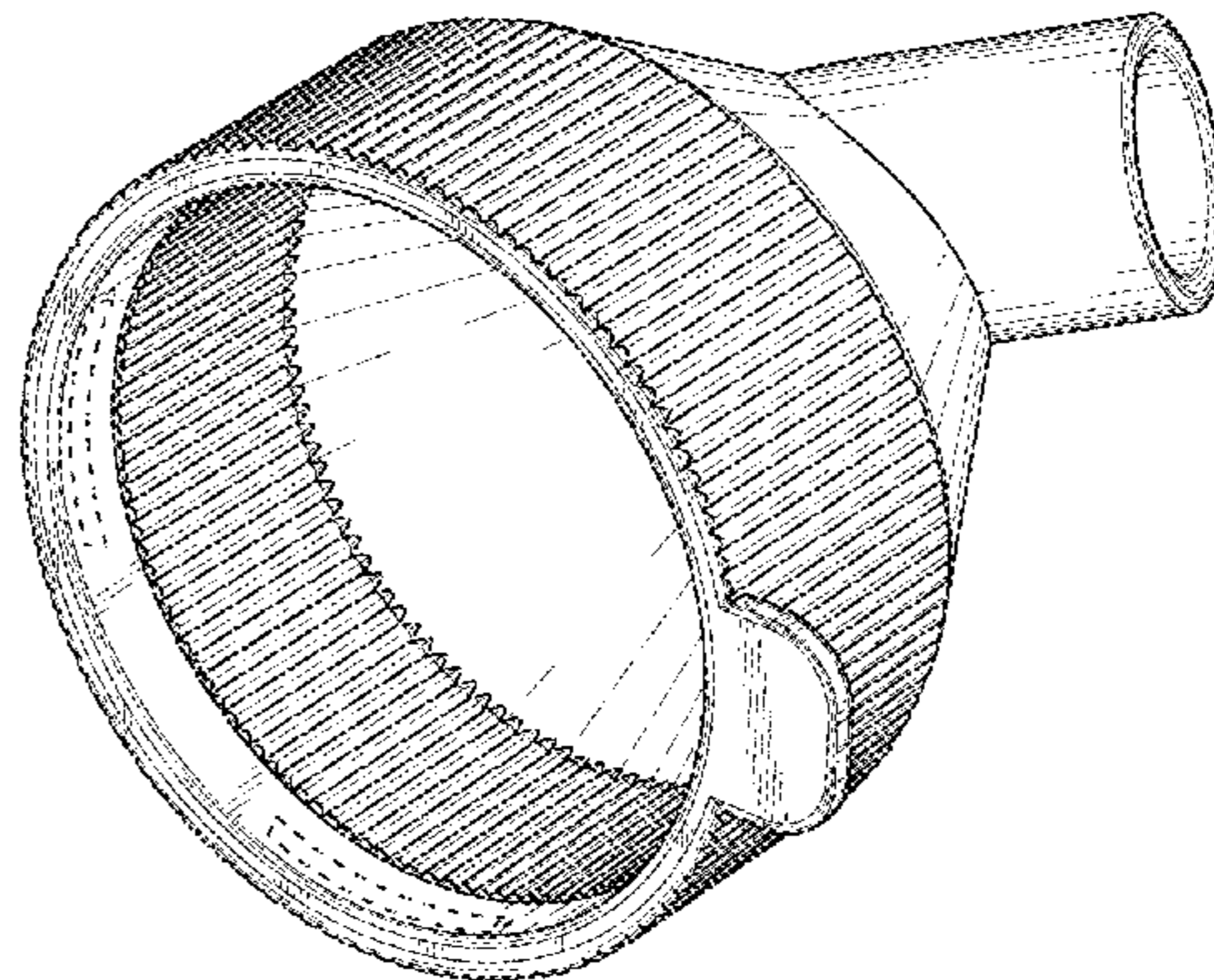
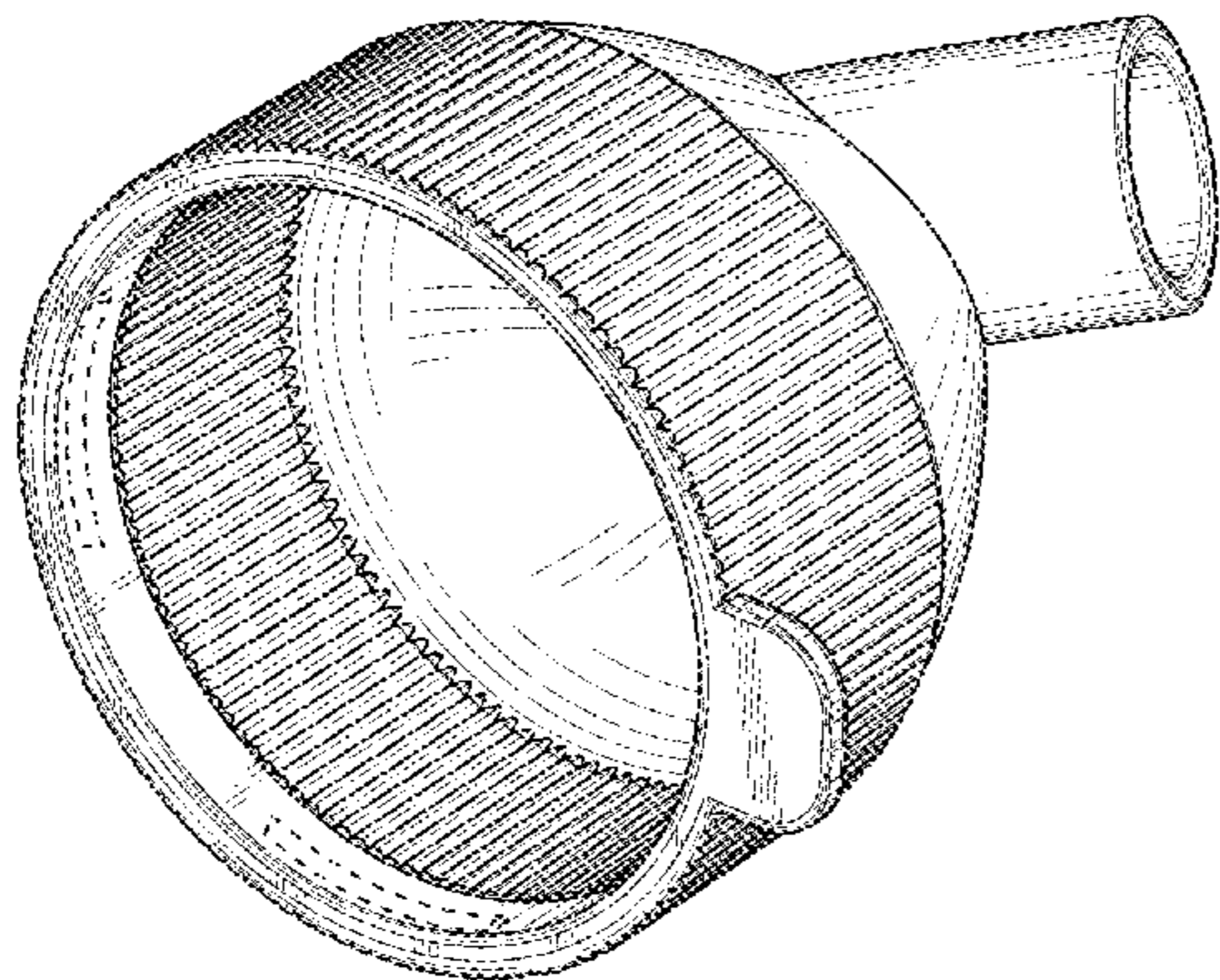
FIG. 19 is a right side view thereof;

FIG. 20 is a top view thereof; and,

FIG. 21 is a bottom view thereof.

In the drawings, the broken lines depict environmental subject matter only that forms no part of the claim.

1 Claim, 12 Drawing Sheets



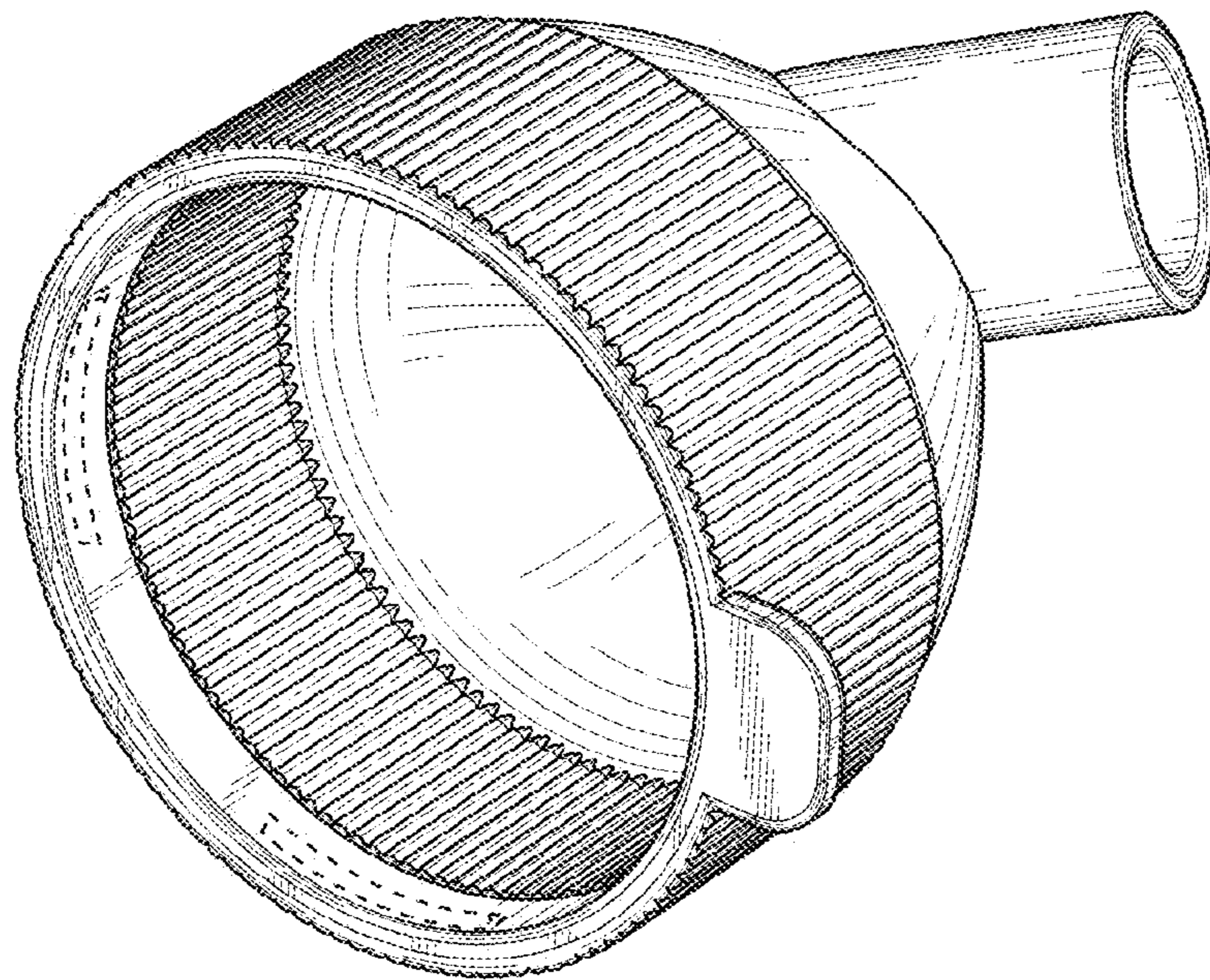


FIG. 1

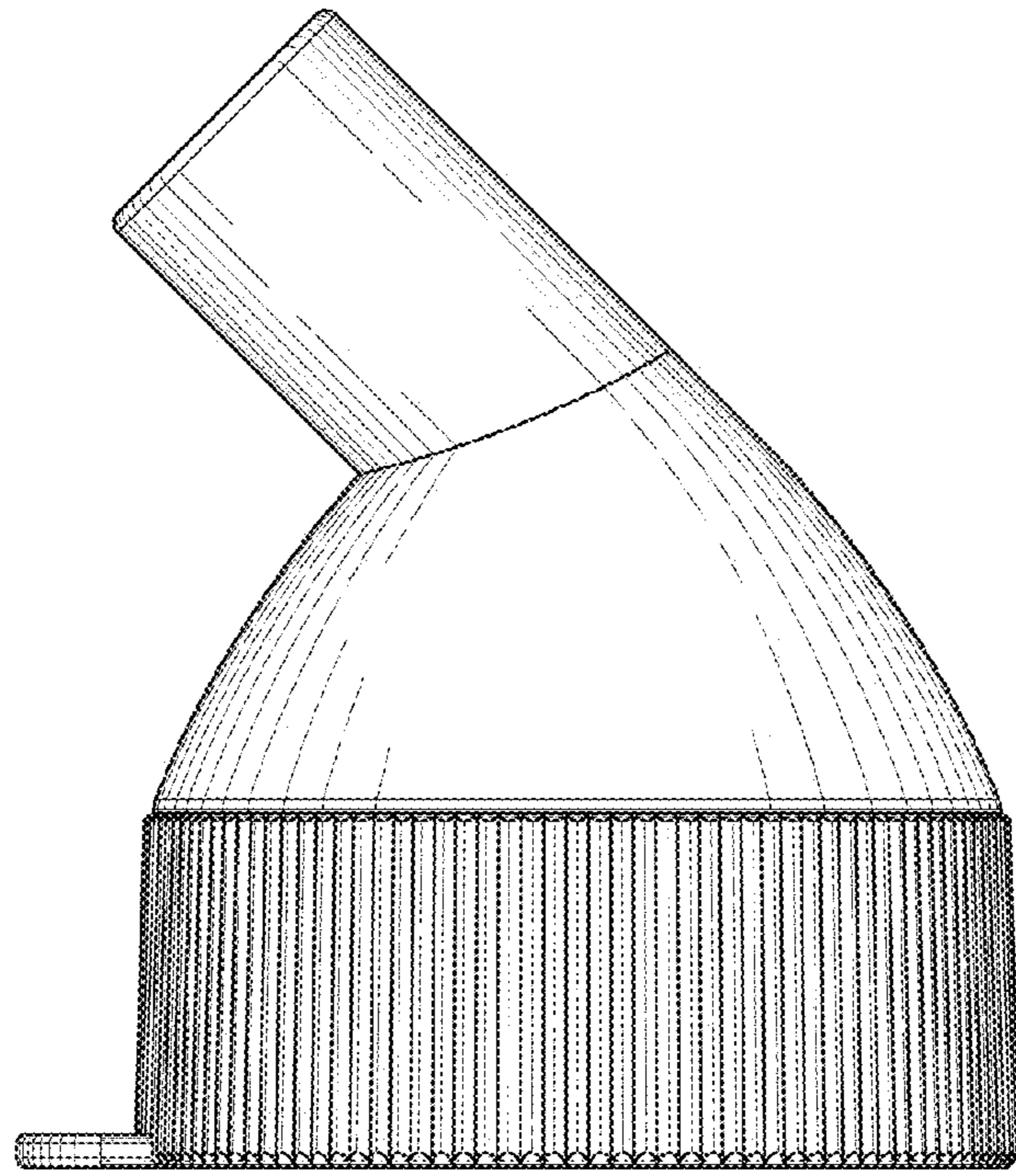


FIG. 2

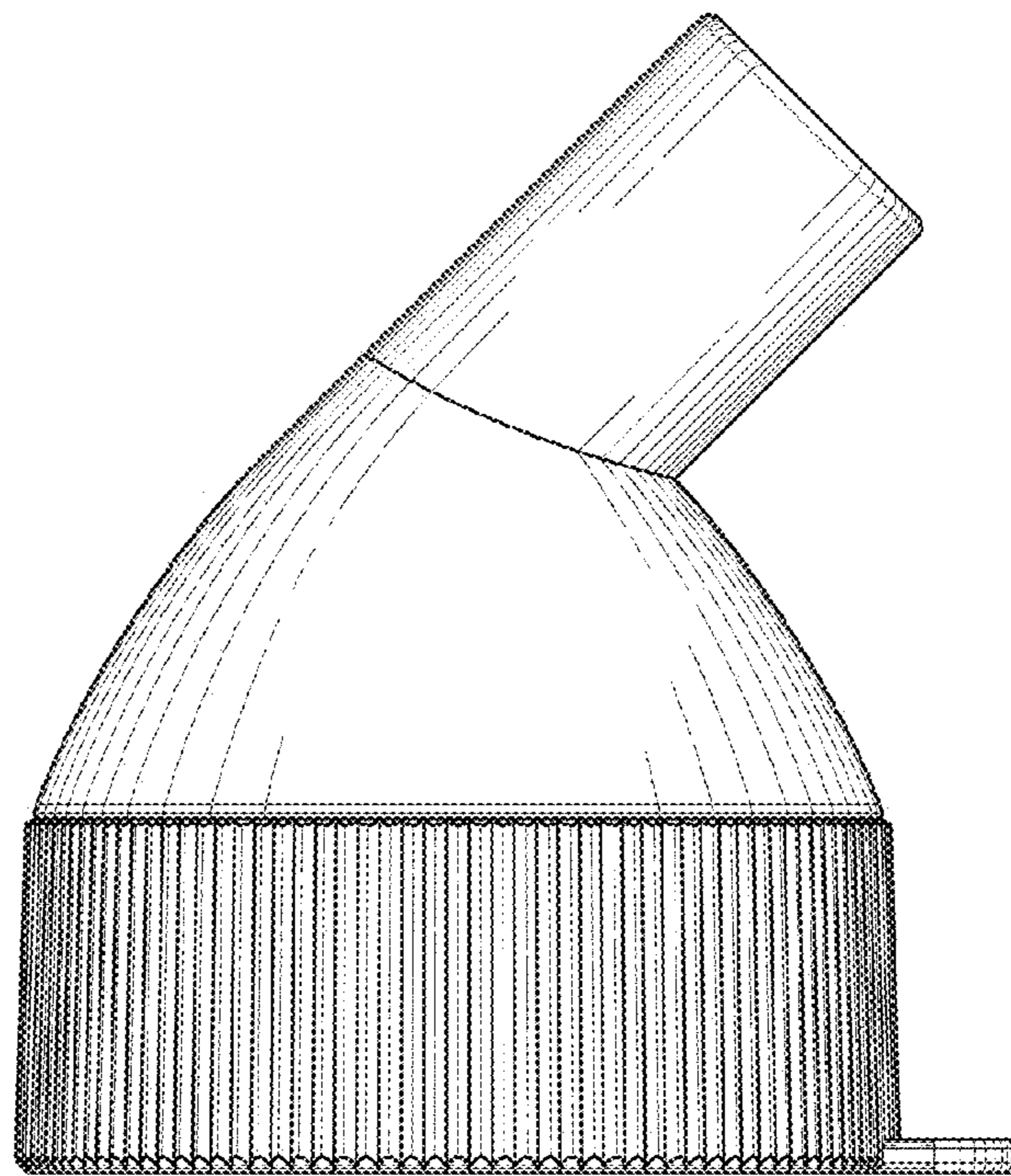


FIG. 3

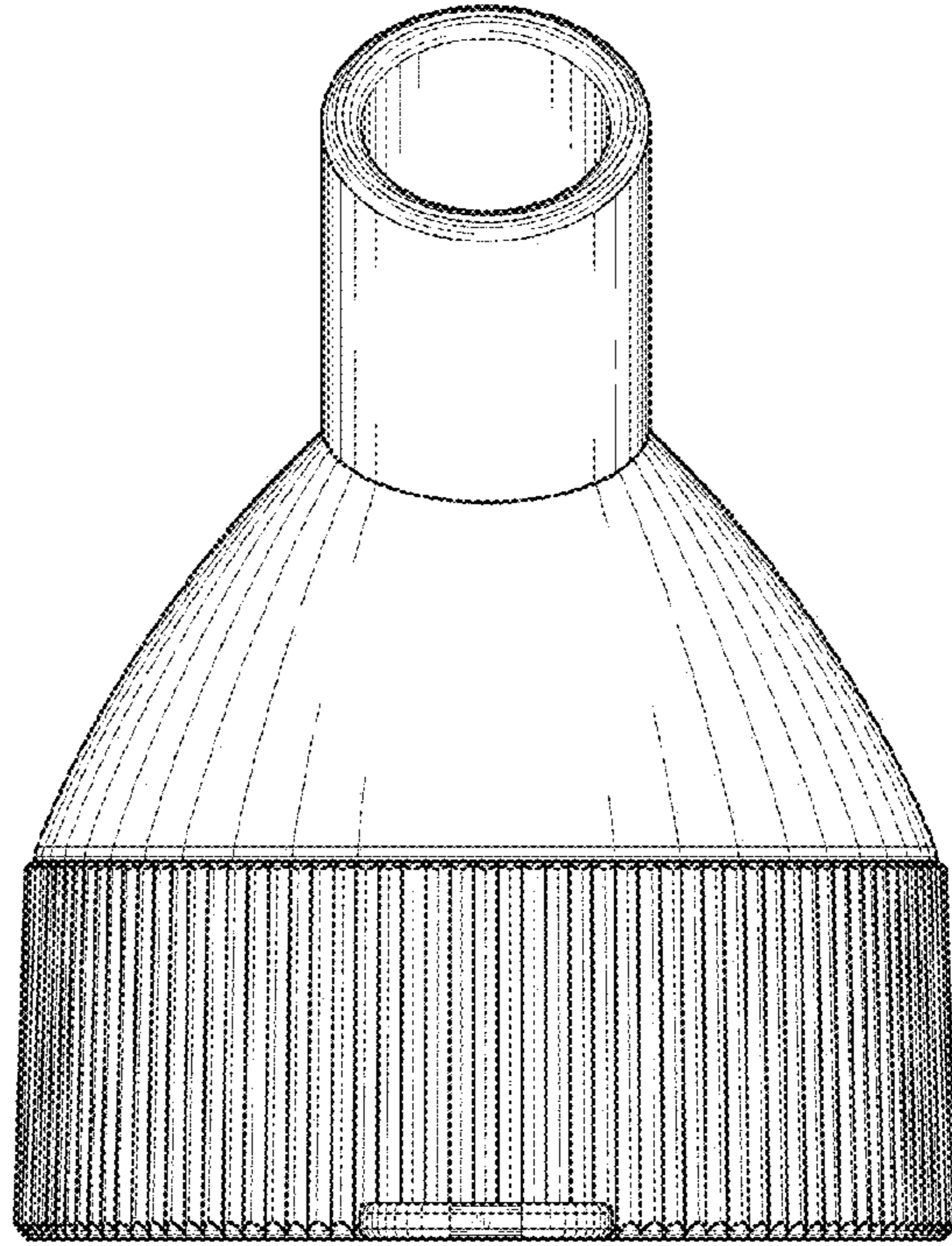


FIG. 4

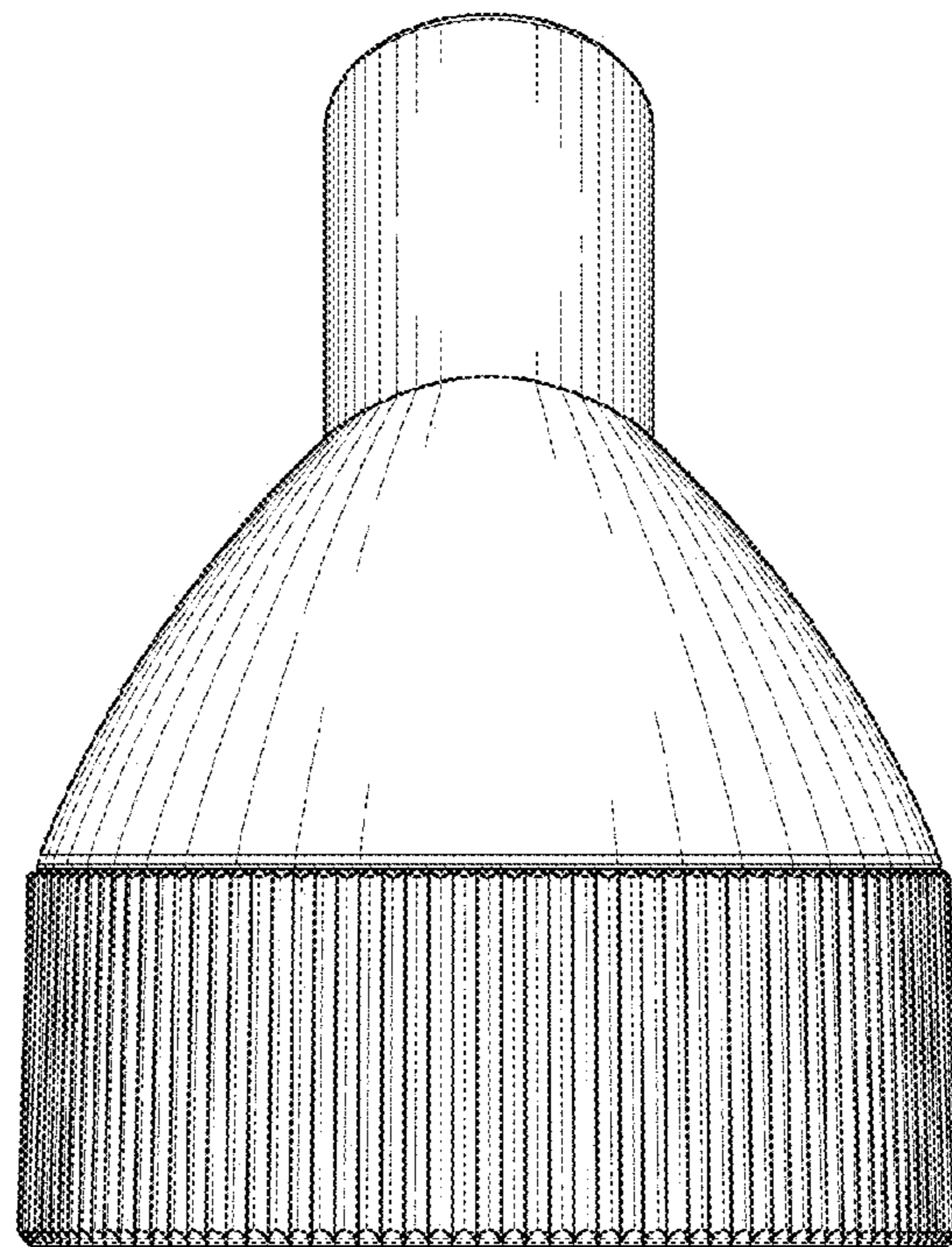


FIG. 5

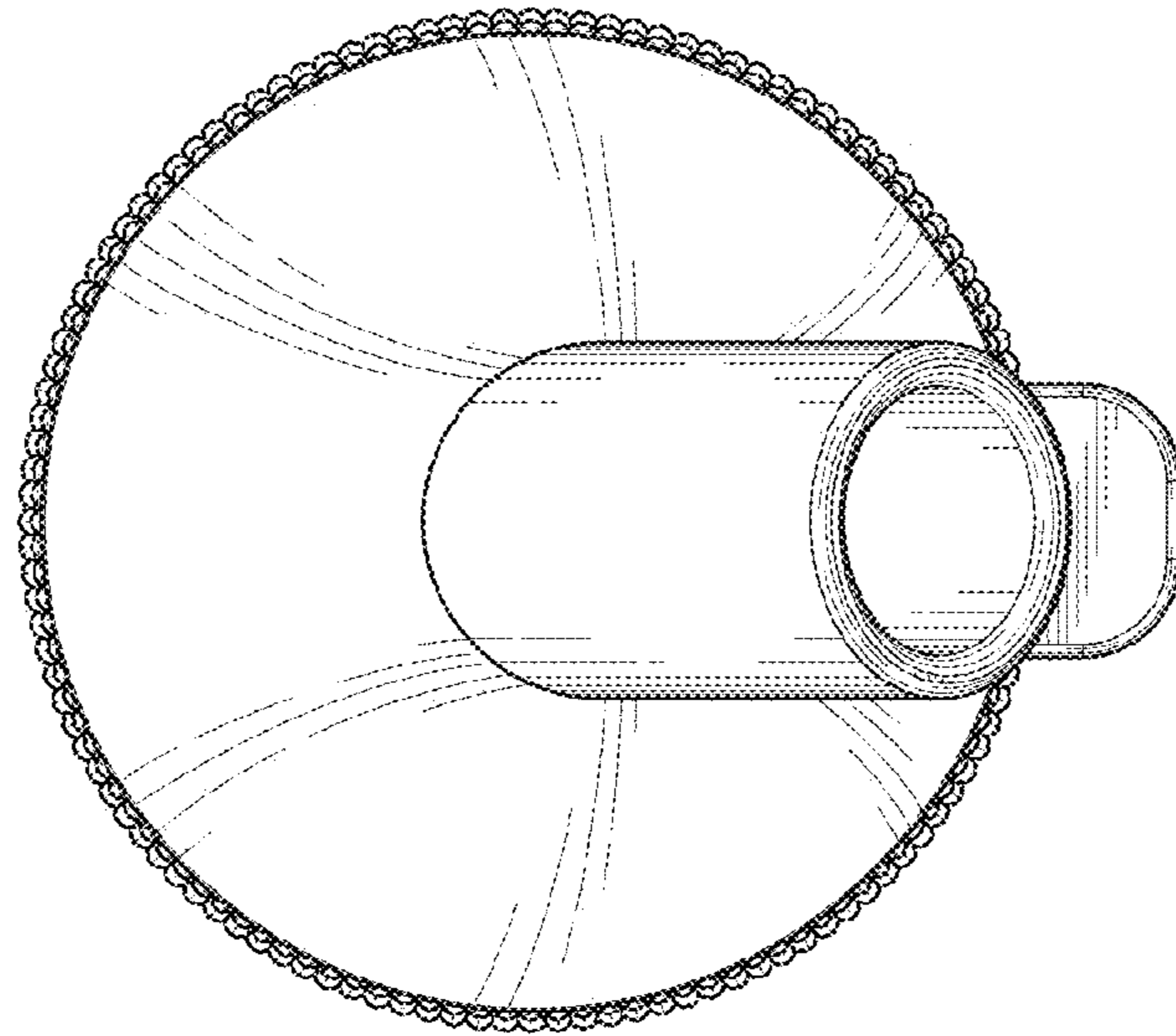


FIG. 6

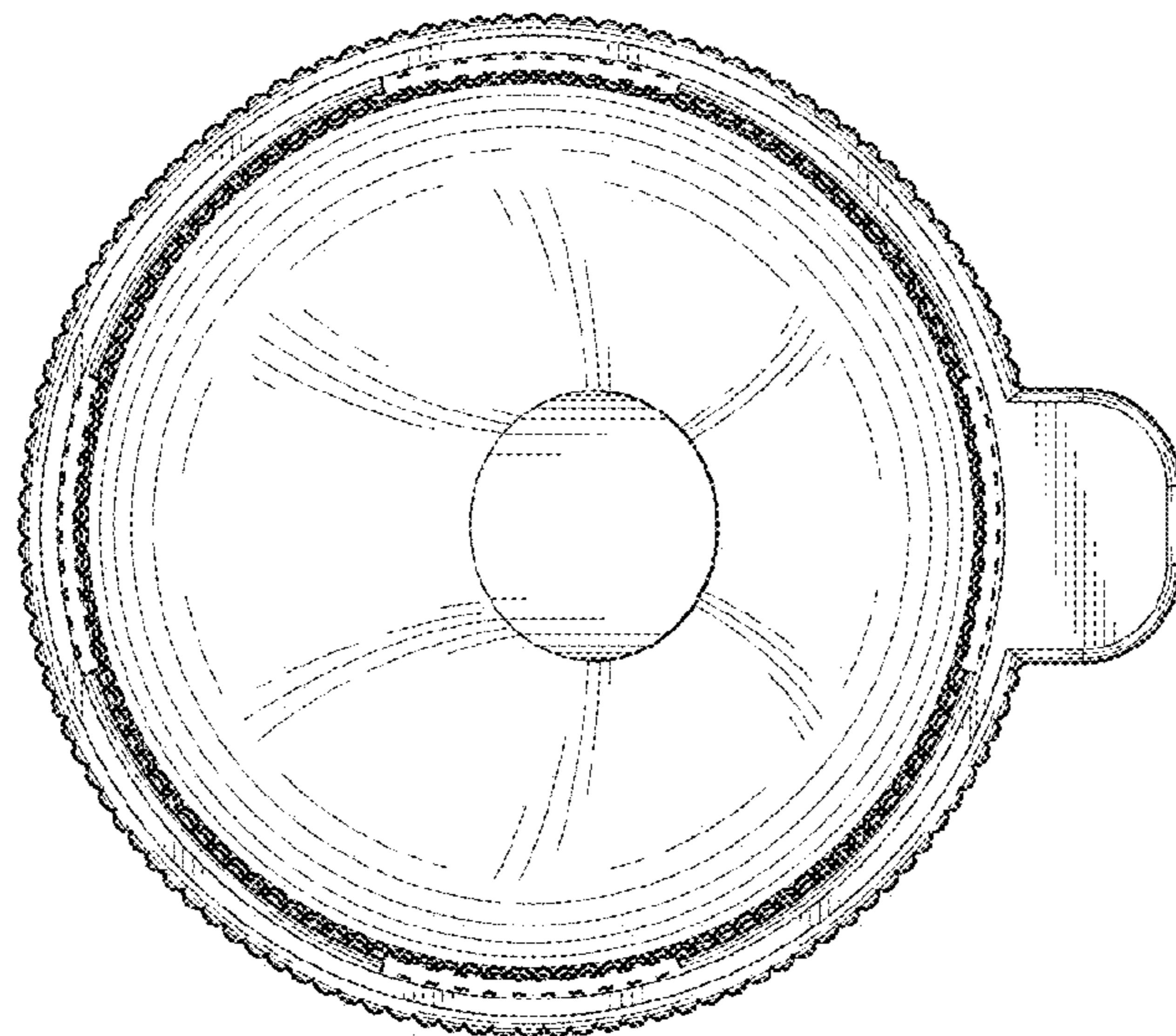


FIG. 7

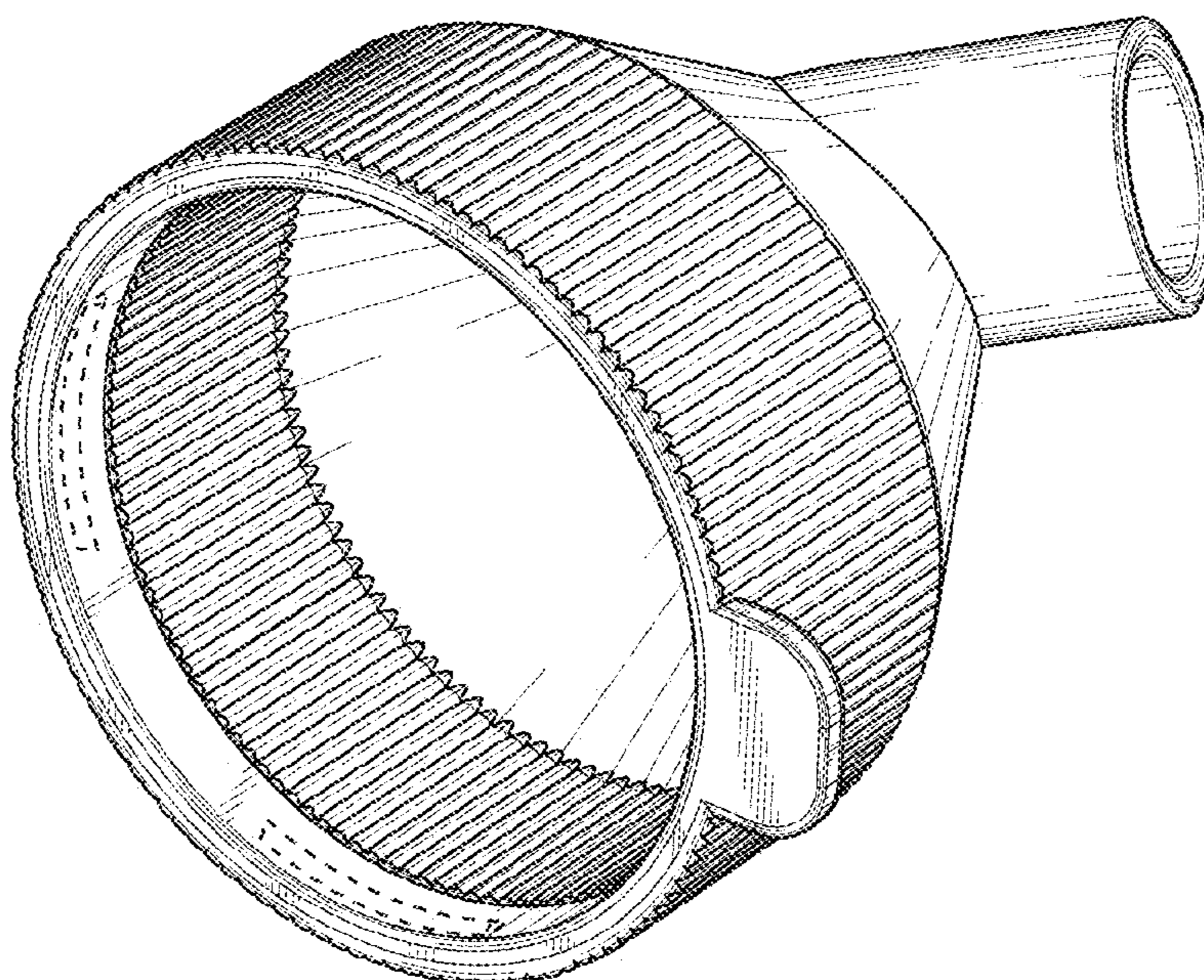


FIG. 8

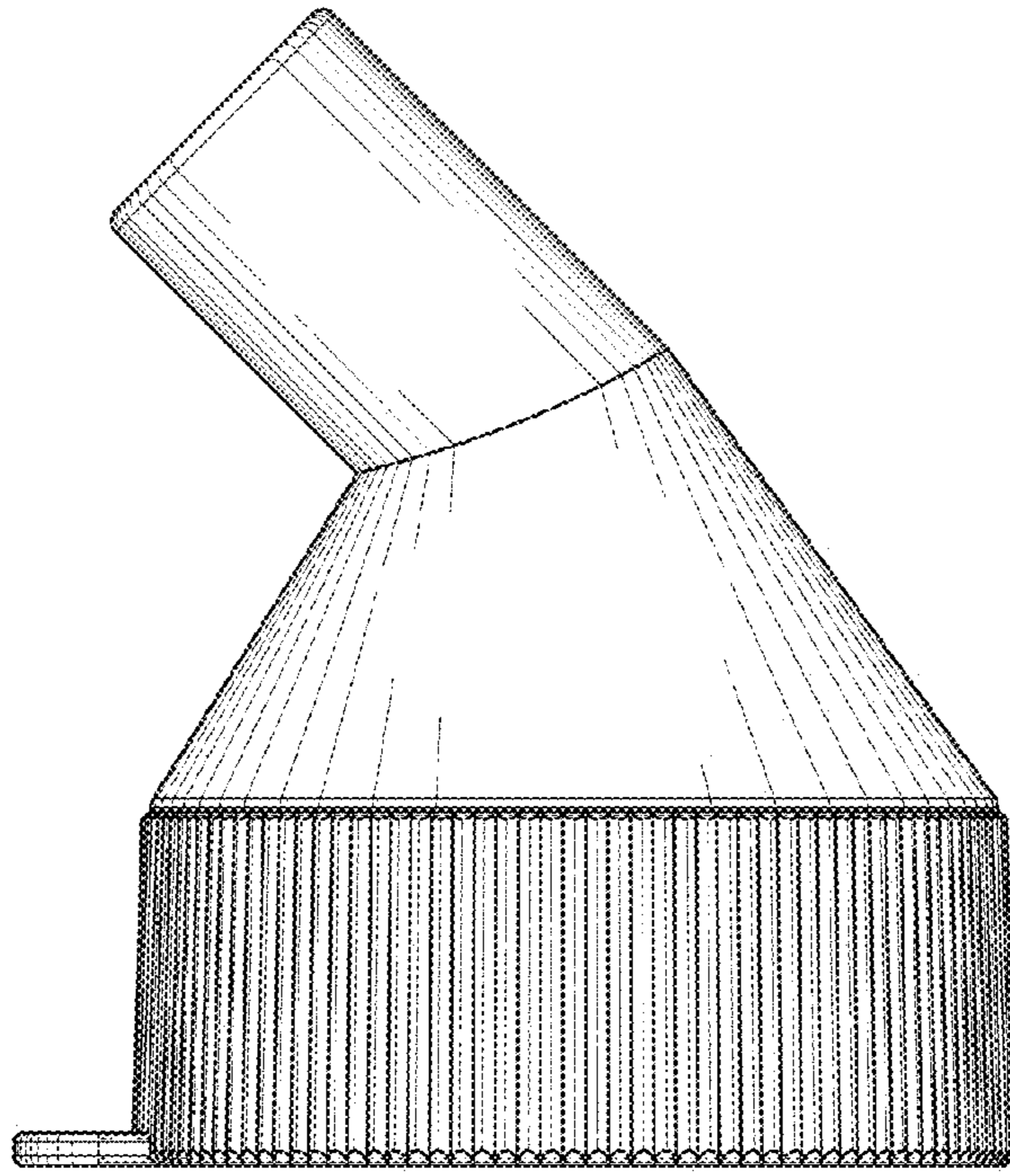


FIG. 9

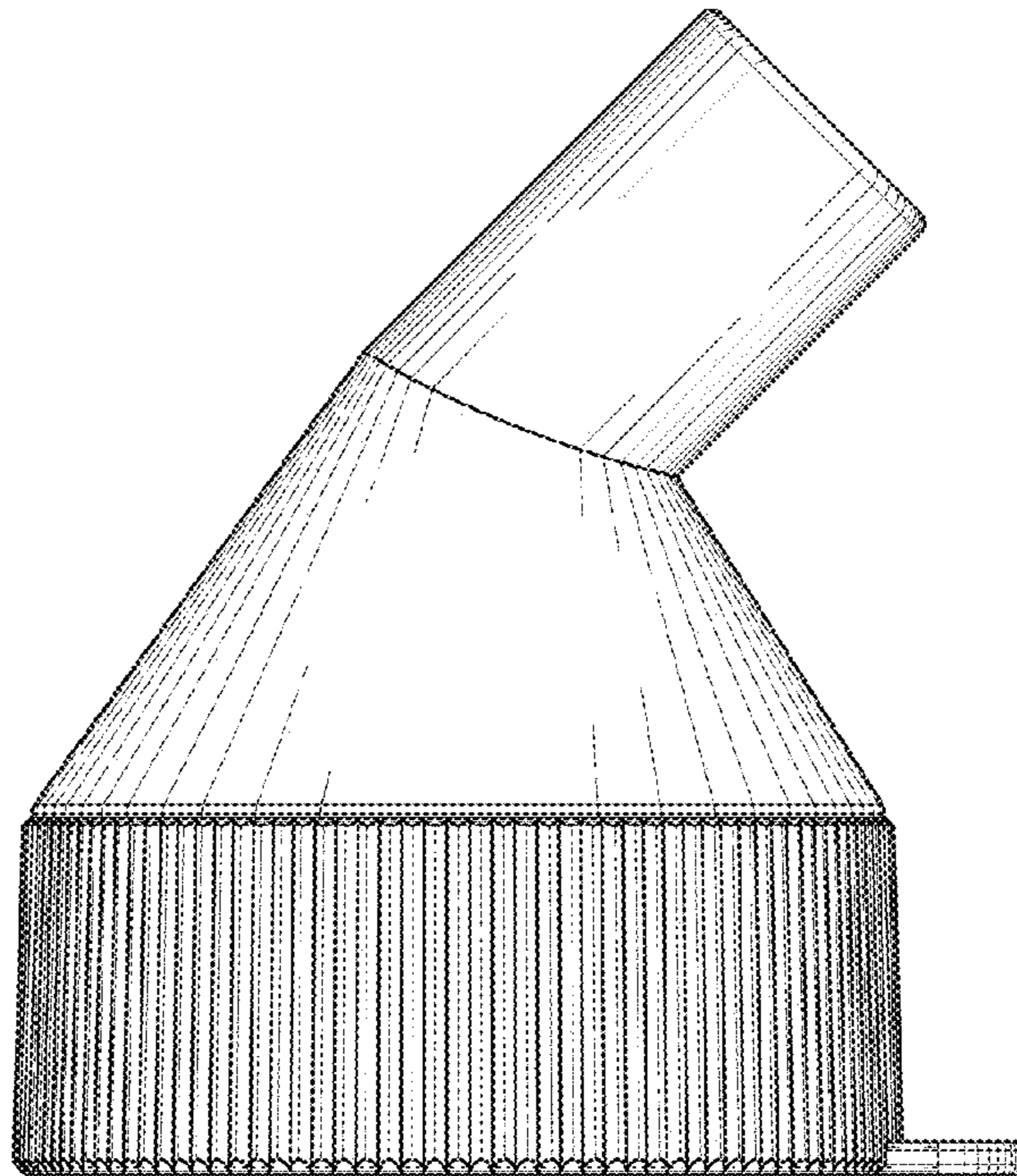


FIG. 10

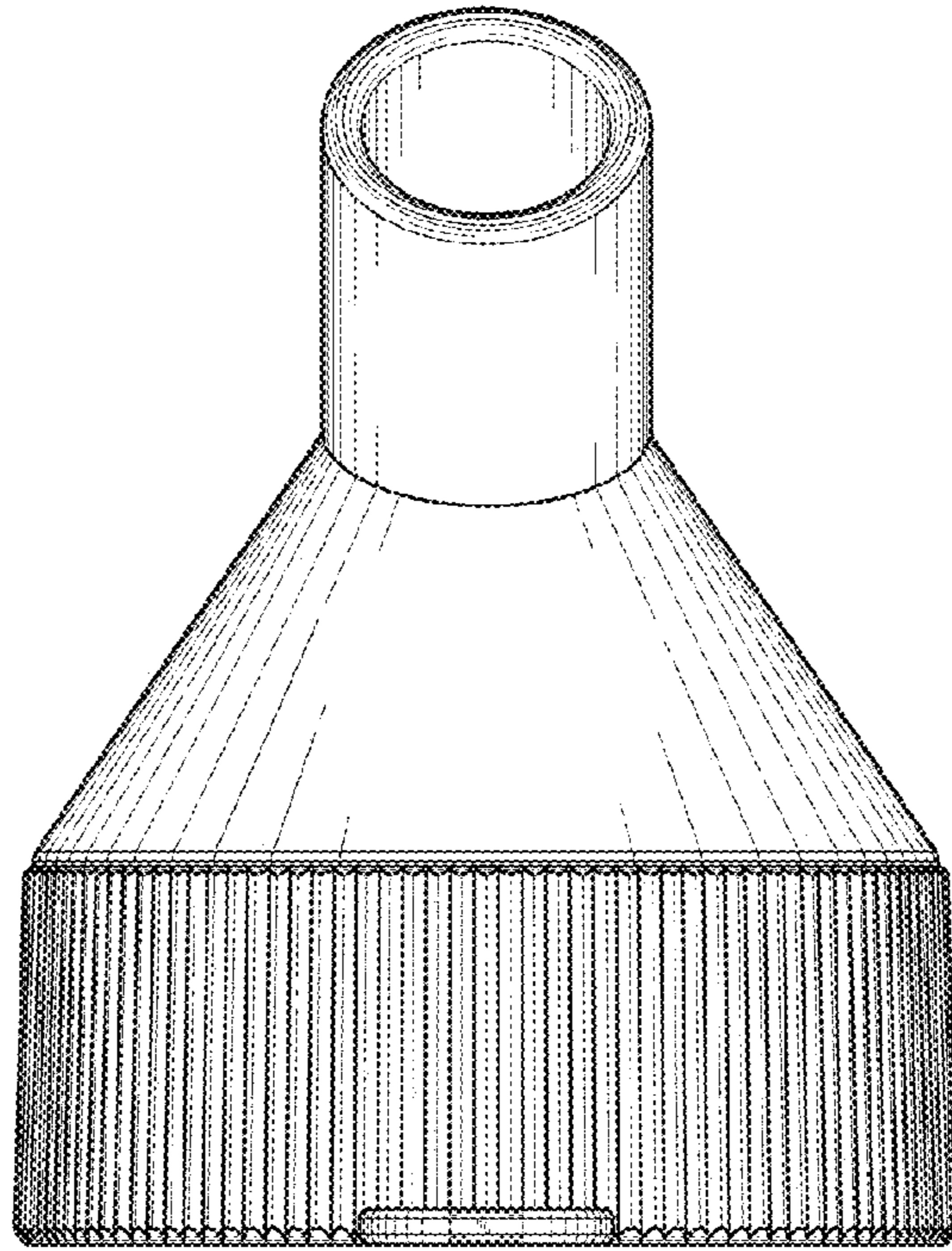


FIG. 11

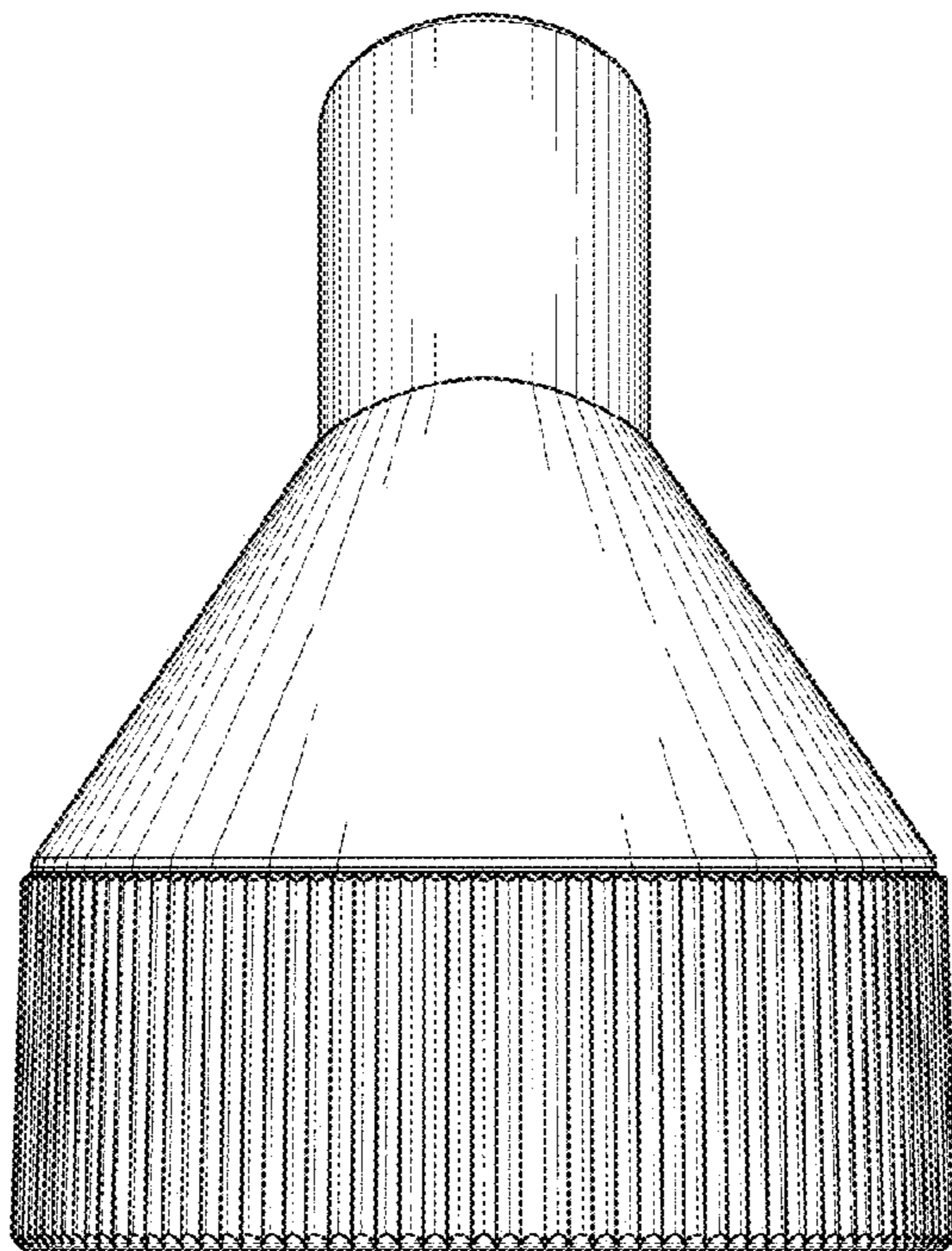


FIG. 12

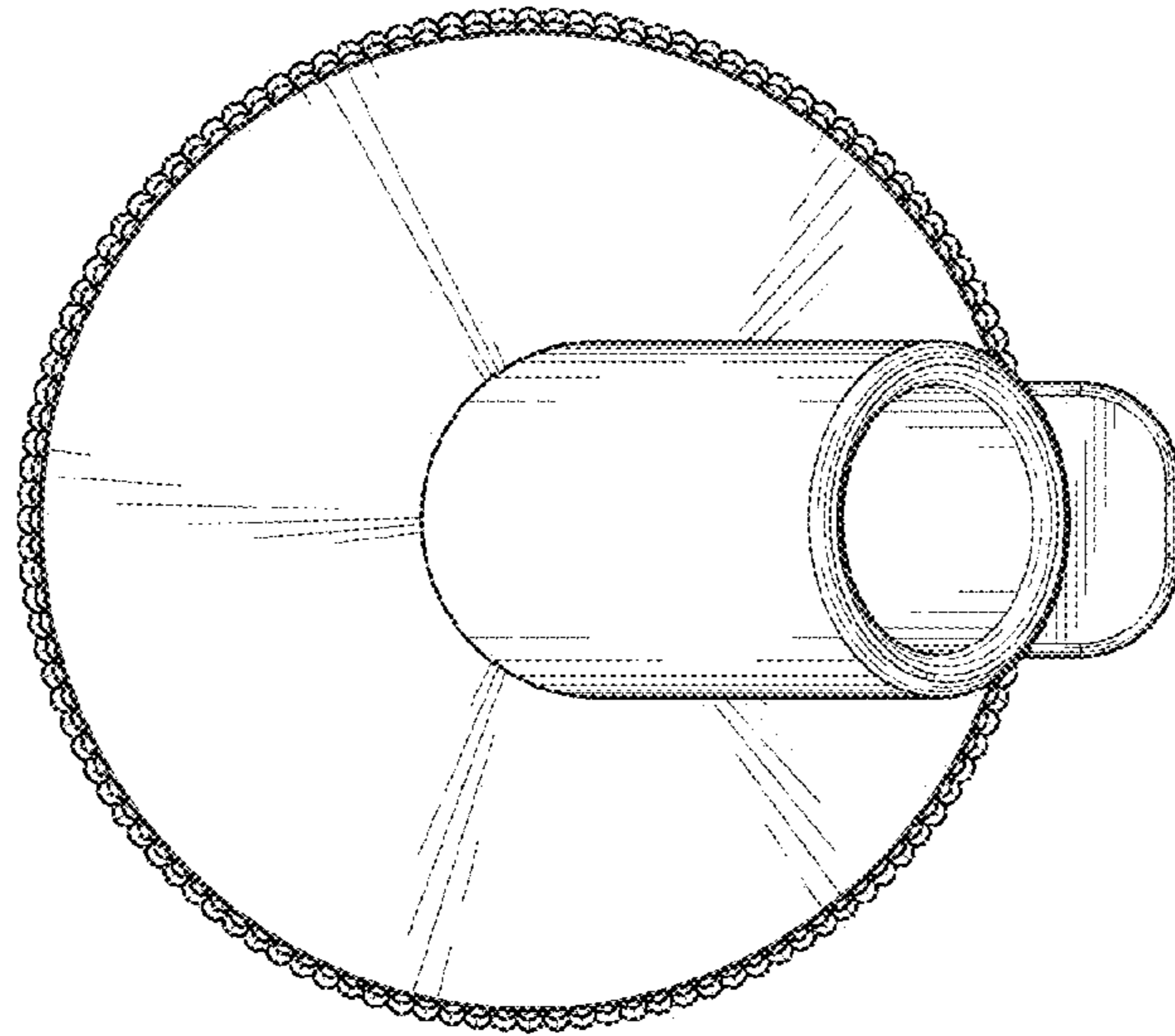


FIG. 13

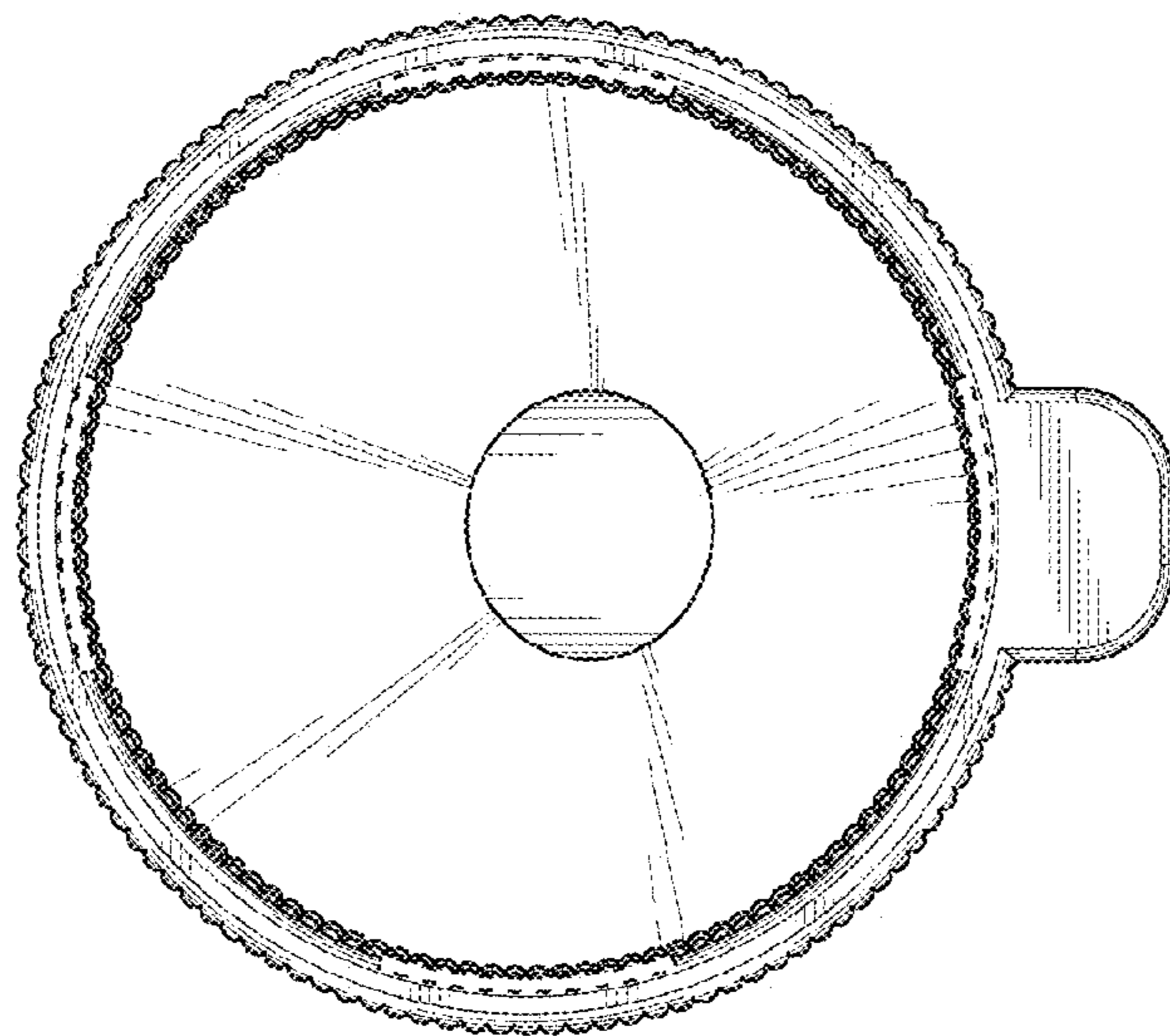


FIG. 14

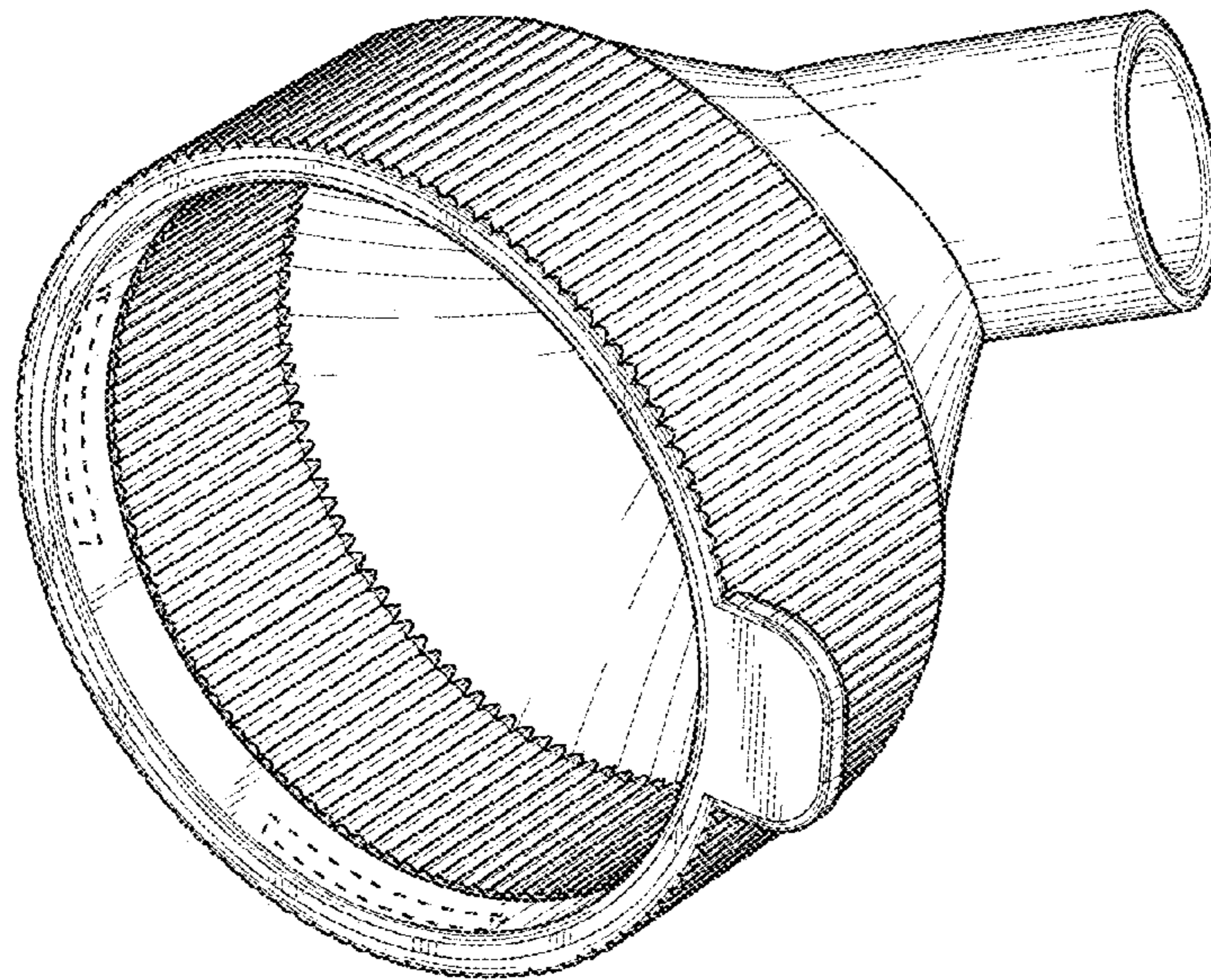


FIG. 15

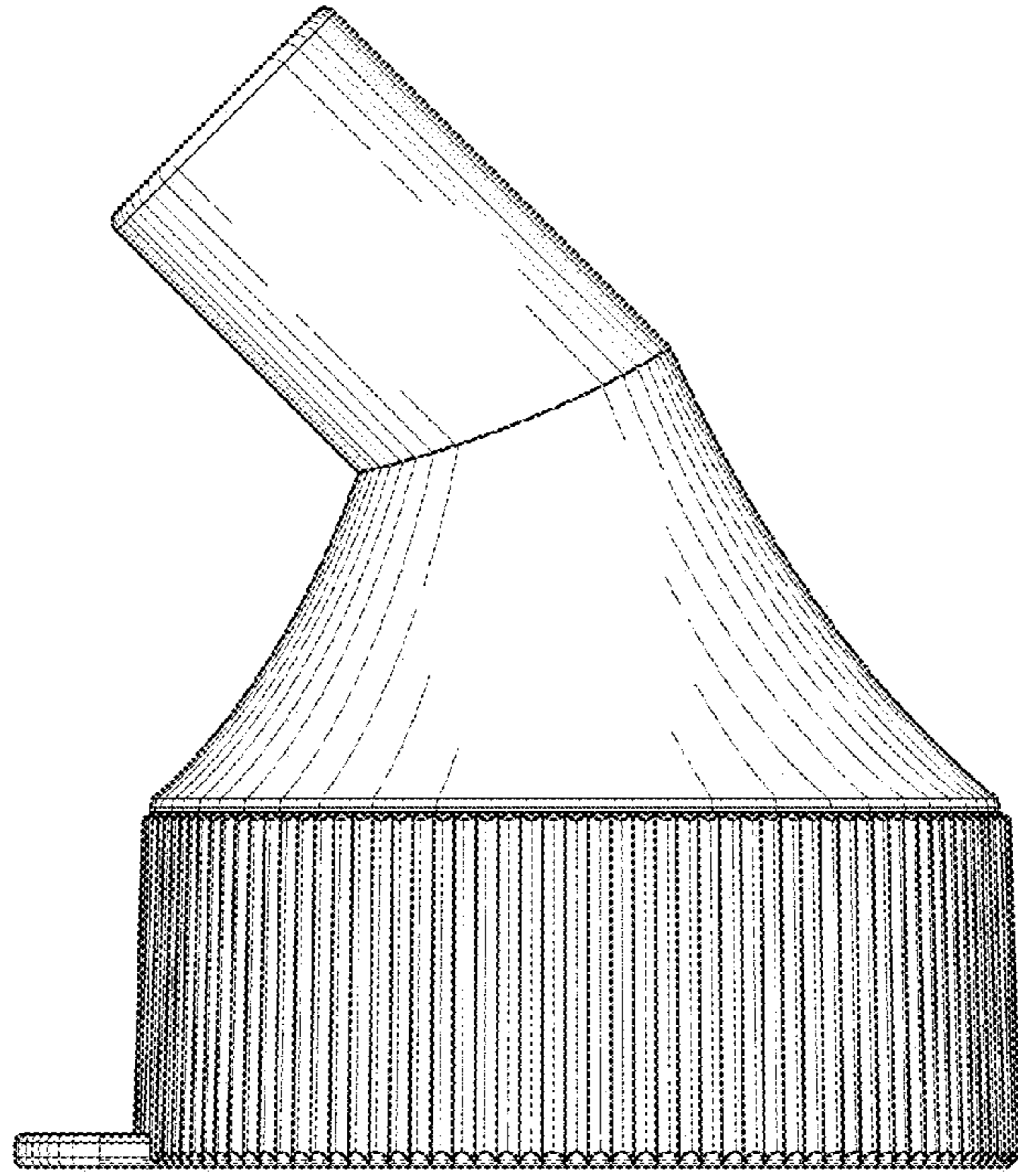


FIG. 16

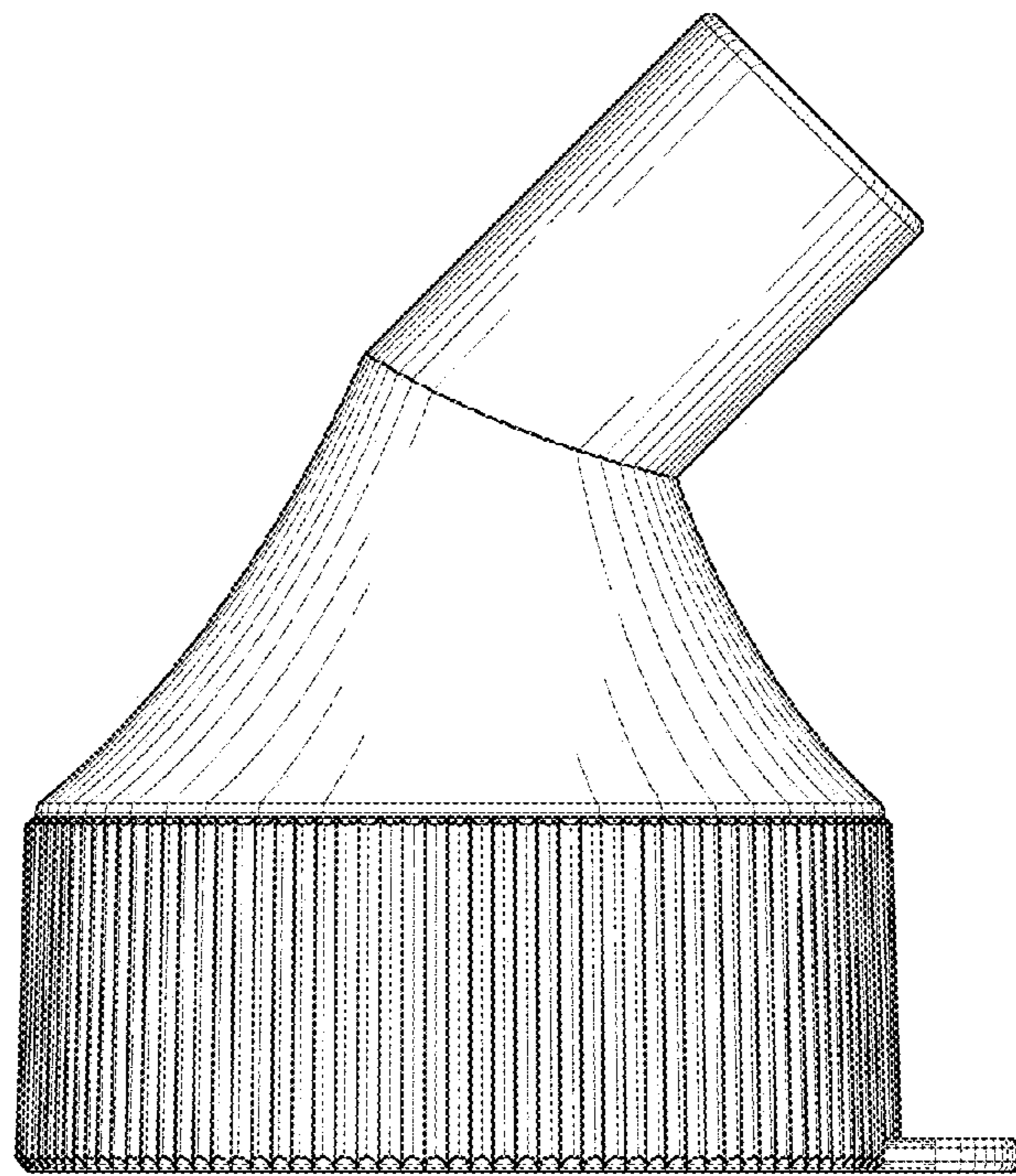


FIG. 17

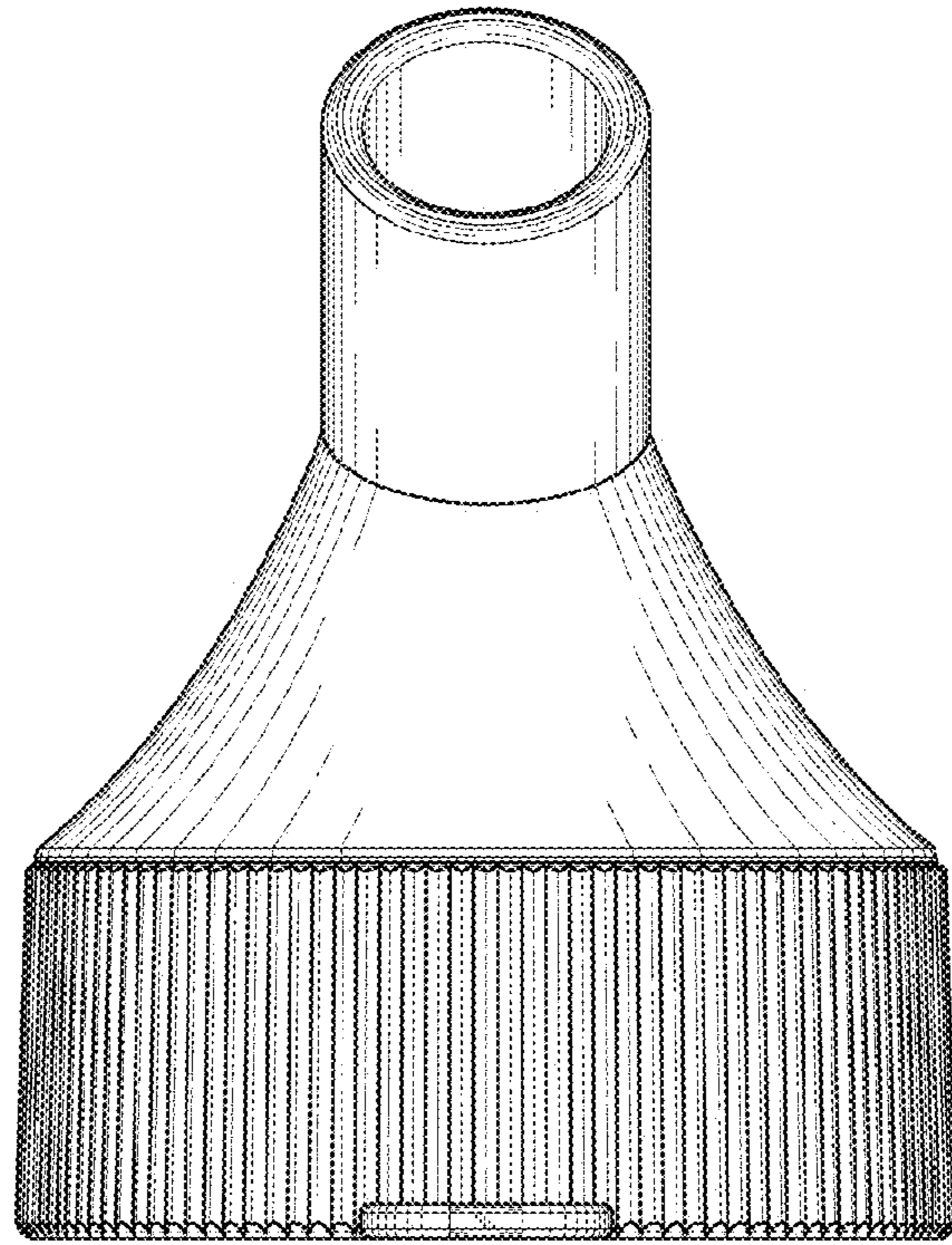


FIG. 18

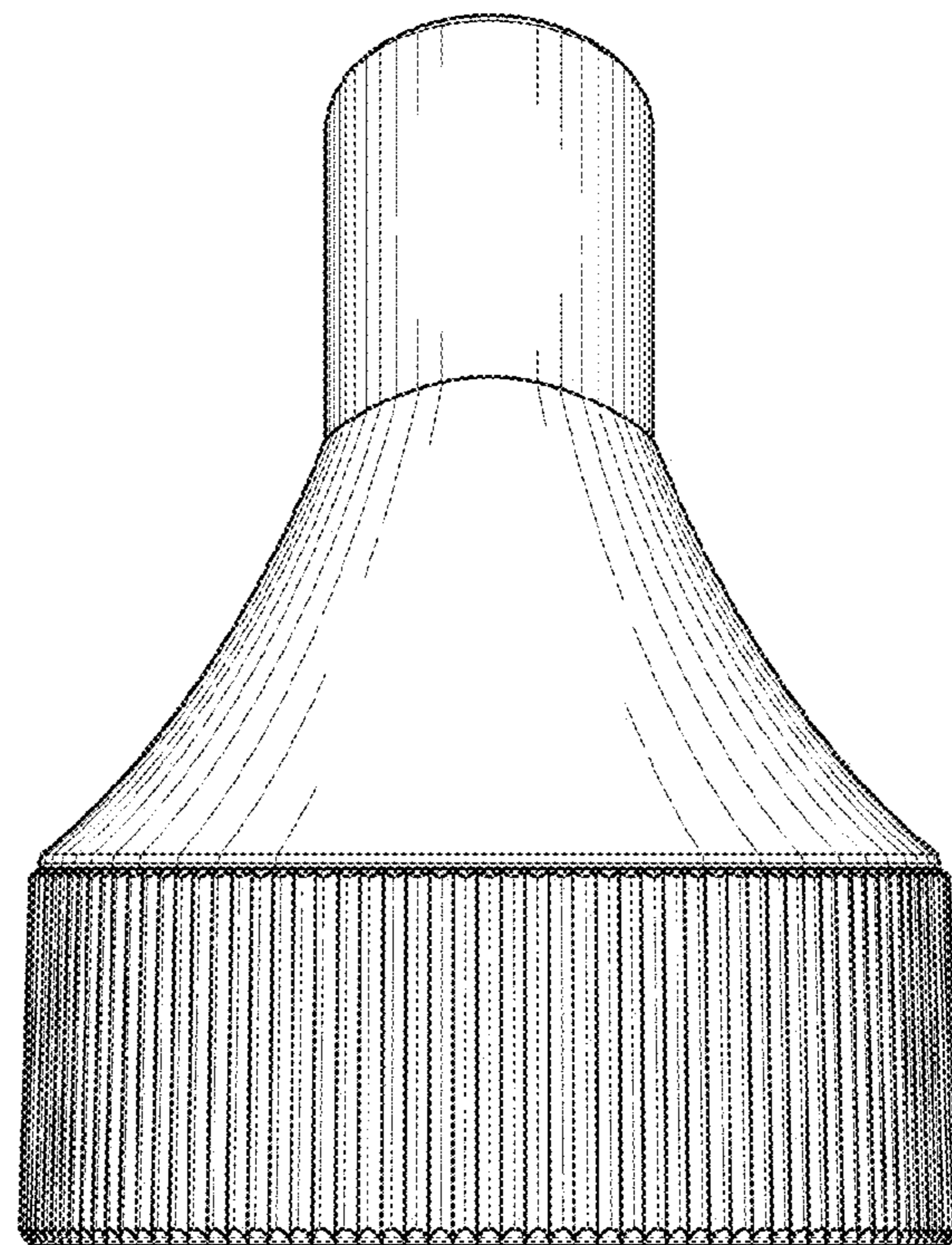


FIG. 19

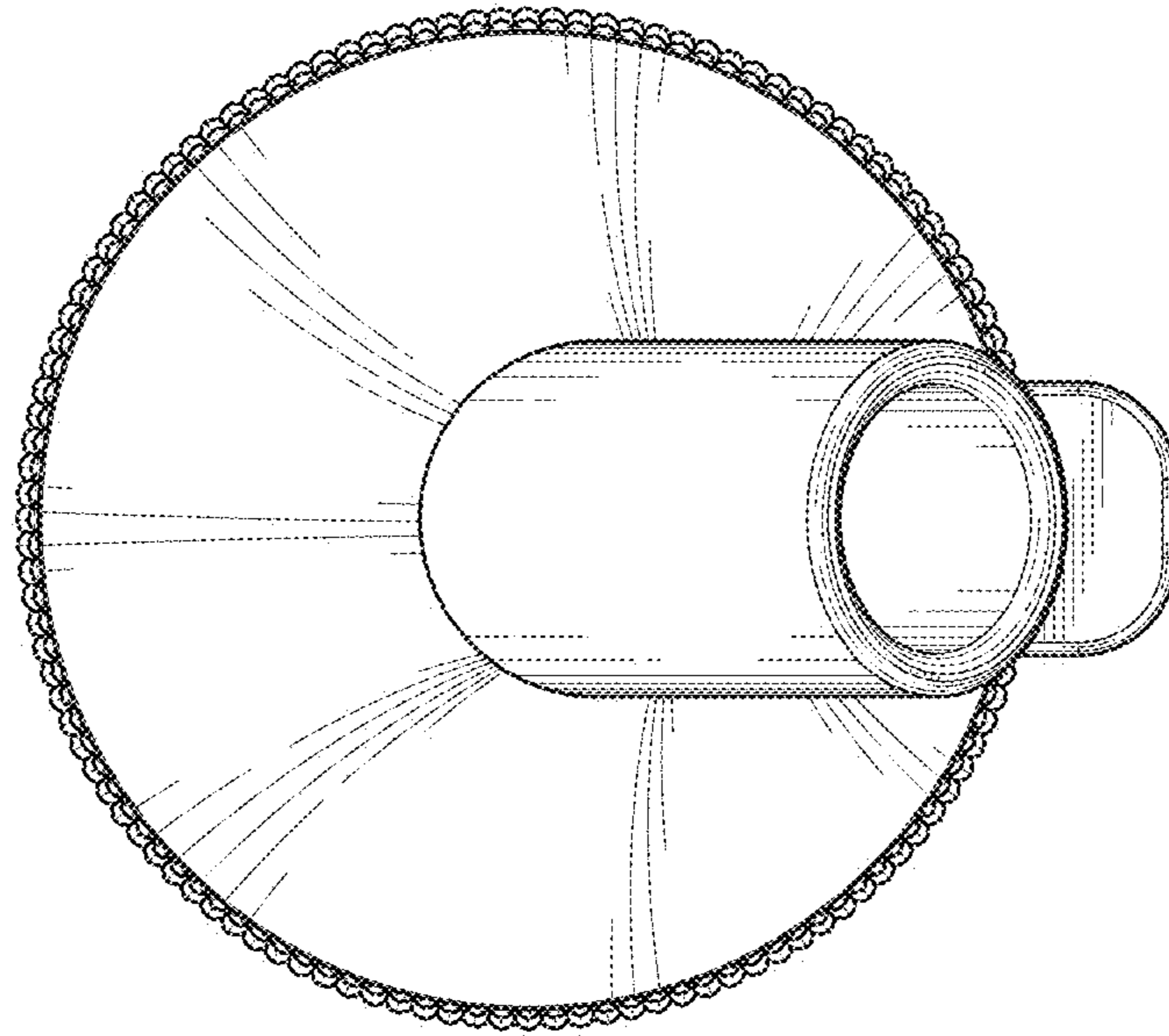


FIG. 20

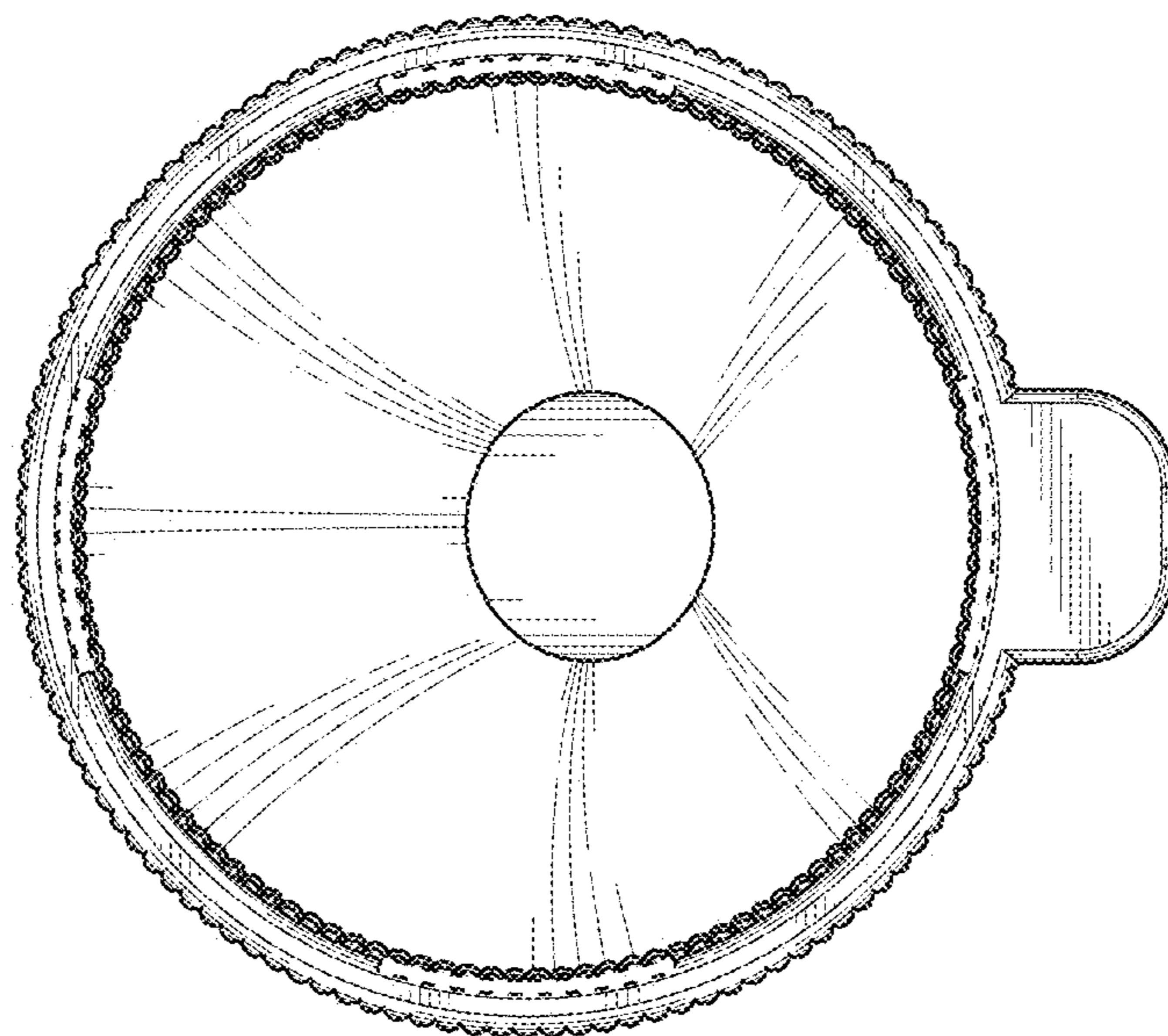


FIG. 21