



US00D755628S

(12) **United States Design Patent**
Matsui

(10) **Patent No.:** **US D755,628 S**
(45) **Date of Patent:** **** May 10, 2016**

- (54) **LID**
- (71) Applicant: **MISAINÉ TRADE, INC.**, Torrance, CA (US)
- (72) Inventor: **Hirotaka Matsui**, Lomita, CA (US)
- (73) Assignee: **MISAINÉ TRADE, INC.**, Torrance, CA (US)
- (**) Term: **14 Years**
- (21) Appl. No.: **29/511,101**
- (22) Filed: **Dec. 5, 2014**
- (51) **LOC (10) Cl.** **09-07**
- (52) **U.S. Cl.**
USPC **D9/447**
- (58) **Field of Classification Search**
USPC D7/300, 300.1, 300.2, 303, 316, 317,
D7/396.2, 397, 398, 509, 510, 511, 392.1;
D9/738, 763, 778, 434, 435, 436, 439,
D9/445, 447, 448, 449, 450, 452, 453, 454,
D9/438; D28/82
CPC A47G 19/22; B65D 41/04; B65D 47/06
See application file for complete search history.

(56) **References Cited**

U.S. PATENT DOCUMENTS

D154,671 S *	8/1949	Foley	D7/566
D240,887 S *	8/1976	Daenen	D7/316
D397,905 S *	9/1998	Hsu	D7/316
D432,421 S *	10/2000	Sullivan, Jr.	D9/440
D458,081 S *	6/2002	Bodum	D7/316
D480,268 S *	10/2003	Laib	D7/510
D494,470 S *	8/2004	Guyot	D9/435
D559,615 S *	1/2008	Laib	D7/387
D565,901 S *	4/2008	Edelstein	D7/510
D569,181 S *	5/2008	Homma	D7/510

D574,190 S *	8/2008	Homma	D7/510
D637,079 S *	5/2011	Brown	D9/447
D647,760 S *	11/2011	Pearson	D7/510
D653,085 S *	1/2012	Swallow	D7/566
D661,939 S *	6/2012	Kern	D7/316
D662,354 S *	6/2012	Bodum	D7/392.1
D666,490 S *	9/2012	Leon	D9/447
D669,736 S *	10/2012	Bodum	D7/510
D683,184 S *	5/2013	Lin	D7/316

(Continued)

Primary Examiner — Robert M Spear

Assistant Examiner — Marissa J Cash

(74) *Attorney, Agent, or Firm* — Knobbe Martens Olson & Bear LLP

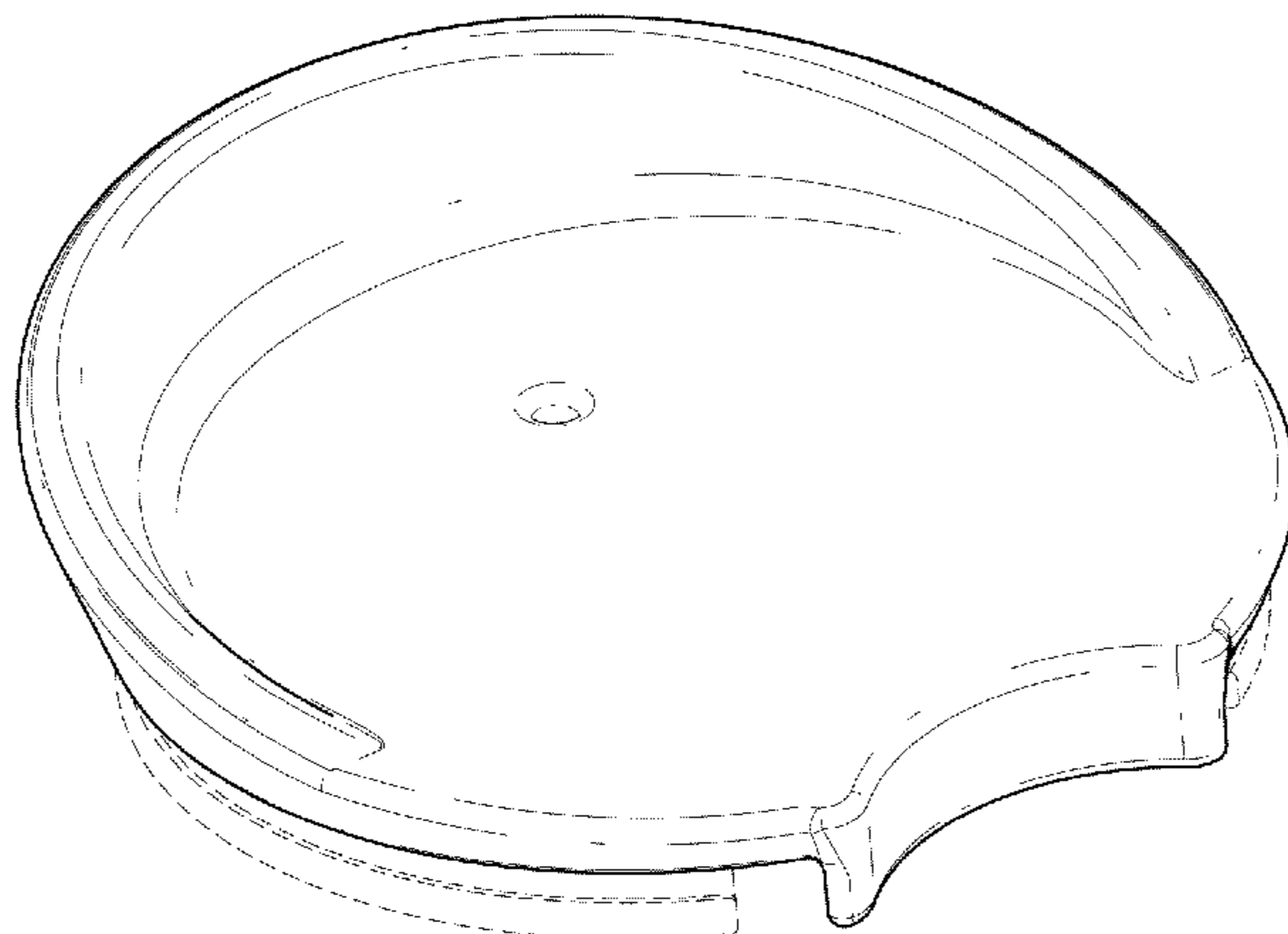
(57) **CLAIM**

The ornamental design for a lid, as shown and described herein.

DESCRIPTION

FIG. 1 is a first perspective view of a lid.
 FIG. 2 is a second perspective view of the lid of FIG. 1 taken from the opposite side.
 FIG. 3 is a third perspective view of the lid of FIG. 1 taken from the bottom.
 FIG. 4 is a first side view of the lid of FIG. 1.
 FIG. 5 is a second side view of the lid of FIG. 1 taken from the opposite side of FIG. 4.
 FIG. 6 is a front view of the lid of FIG. 1.
 FIG. 7 is a back view of the lid of FIG. 1.
 FIG. 8 is a top view of the lid of FIG. 1.
 FIG. 9 is a bottom view of the lid of FIG. 1; and,
 FIG. 10 is a cross-sectional side view of the lid of FIG. 1, wherein the cross-section is taken along line 10-10 of FIG. 8. The broken lines disclosing the environment related to the claimed design are for illustrative purposes only, and form no part of the claimed design.

1 Claim, 8 Drawing Sheets



(56)

References Cited

U.S. PATENT DOCUMENTS

D696,942 S * 1/2014 Kim D9/447
D696,943 S * 1/2014 Kim D9/447
D705,058 S * 5/2014 Kim D9/447

D731,244 S * 6/2015 Kohl D7/510
D734,152 S * 7/2015 Hager D9/447
D736,621 S * 8/2015 Ivancic D9/436
D744,277 S * 12/2015 Kostler D7/396.2

* cited by examiner

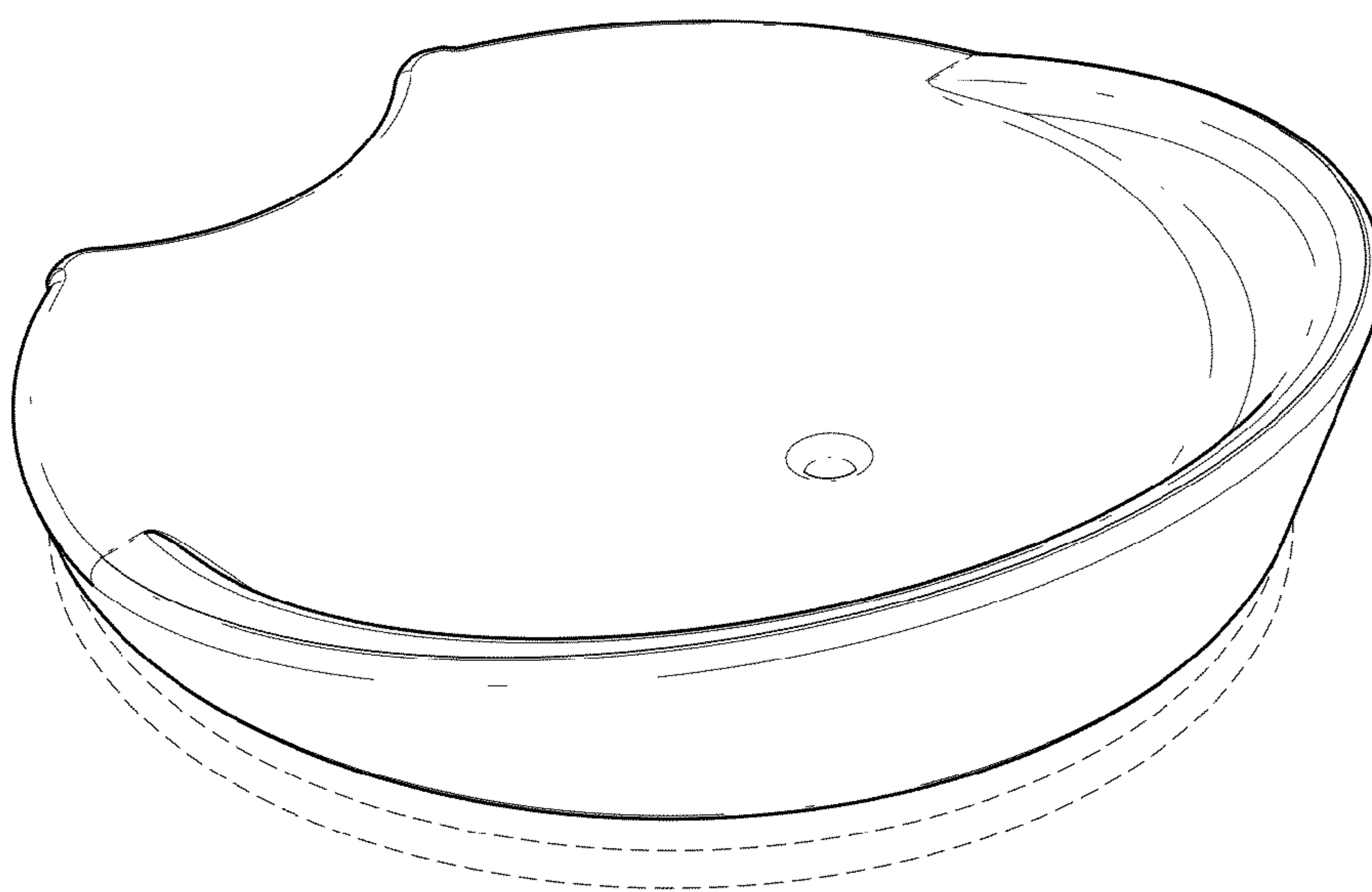


FIG. 1

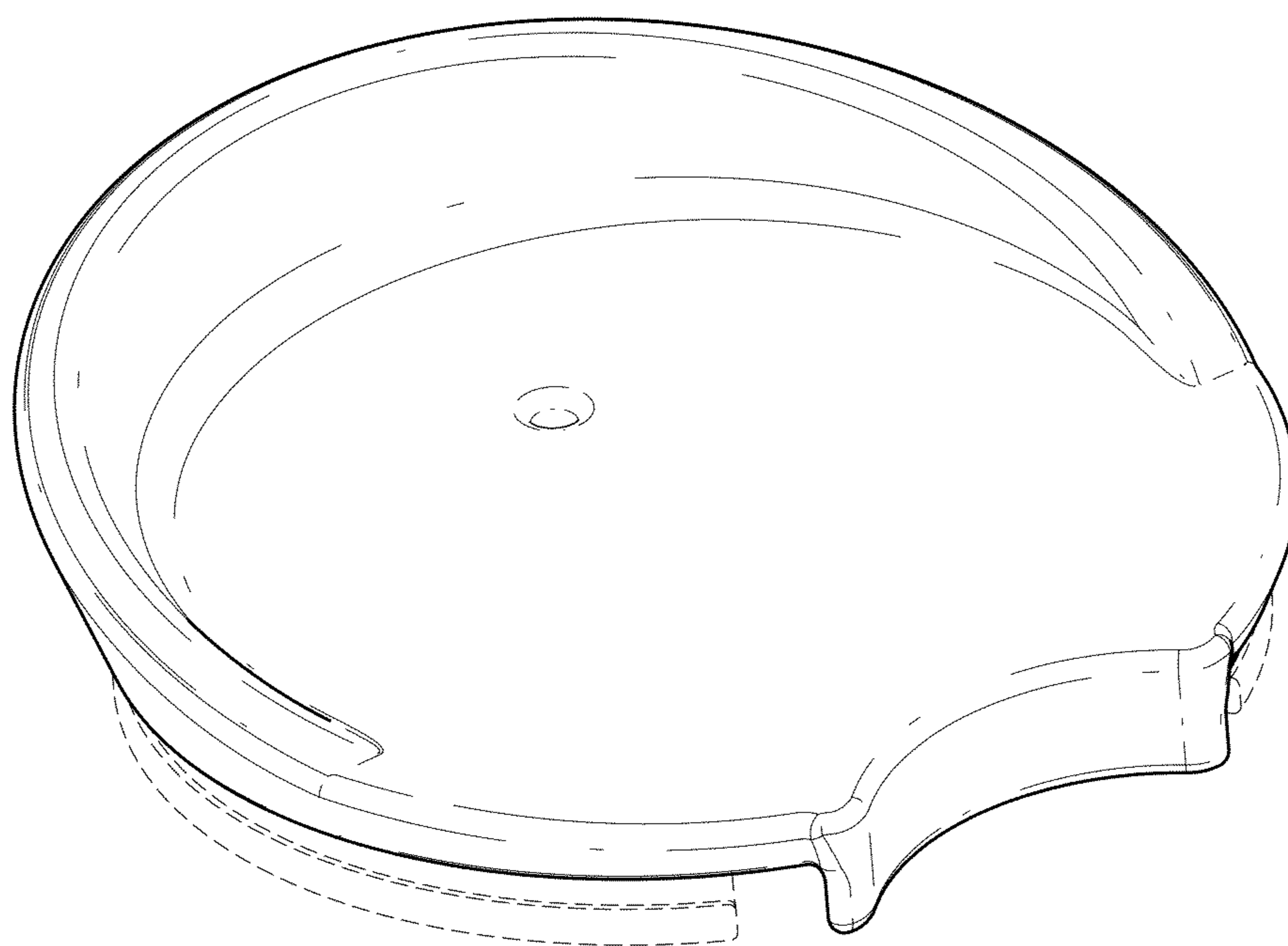


FIG. 2

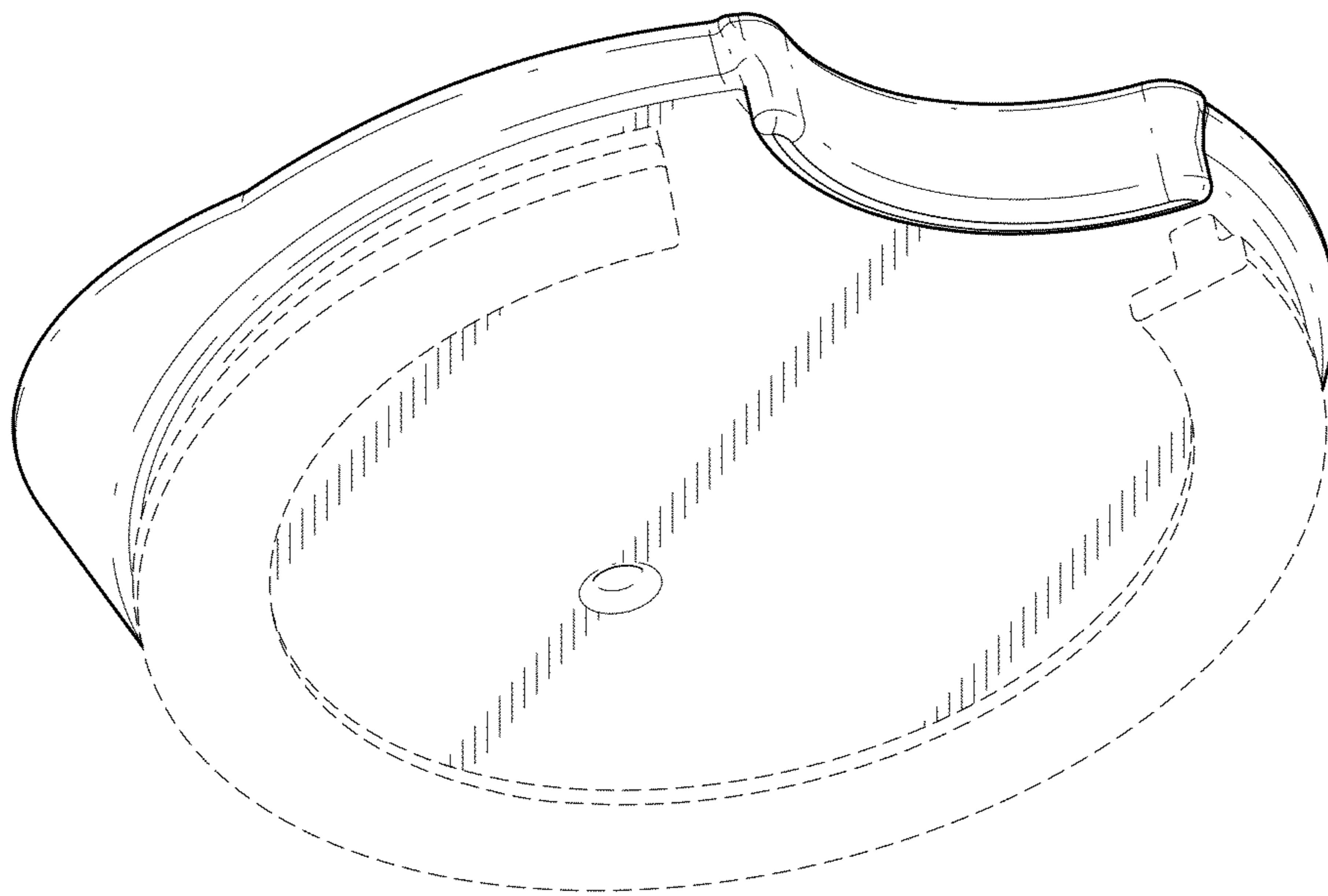


FIG. 3

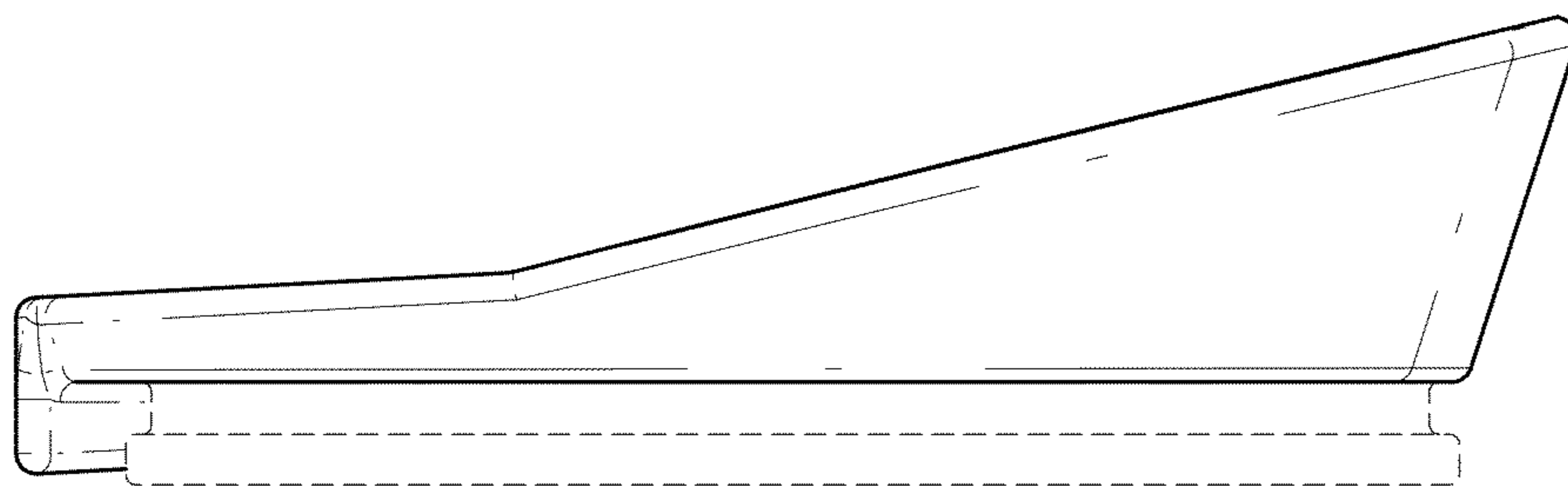


FIG. 4

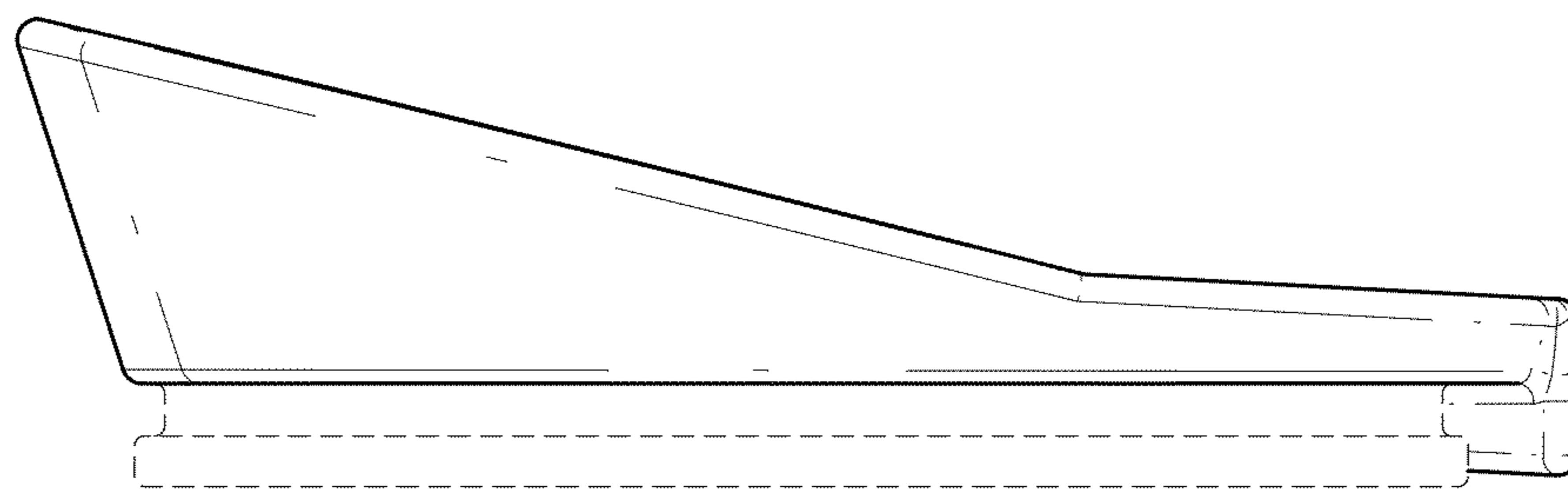


FIG. 5

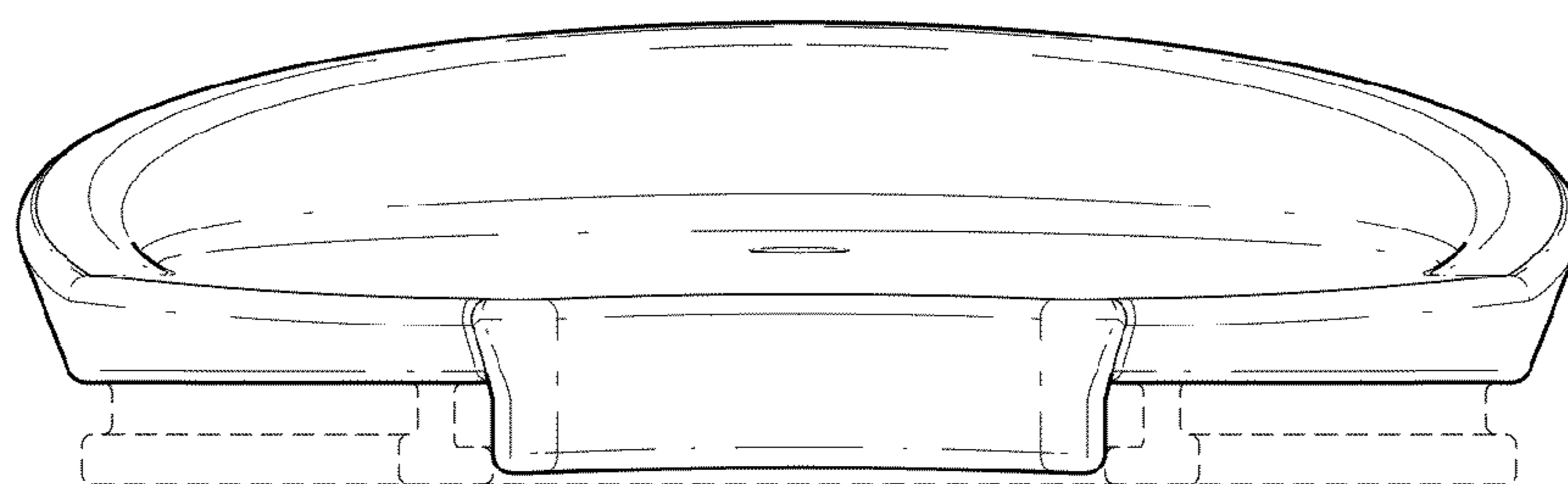


FIG. 6

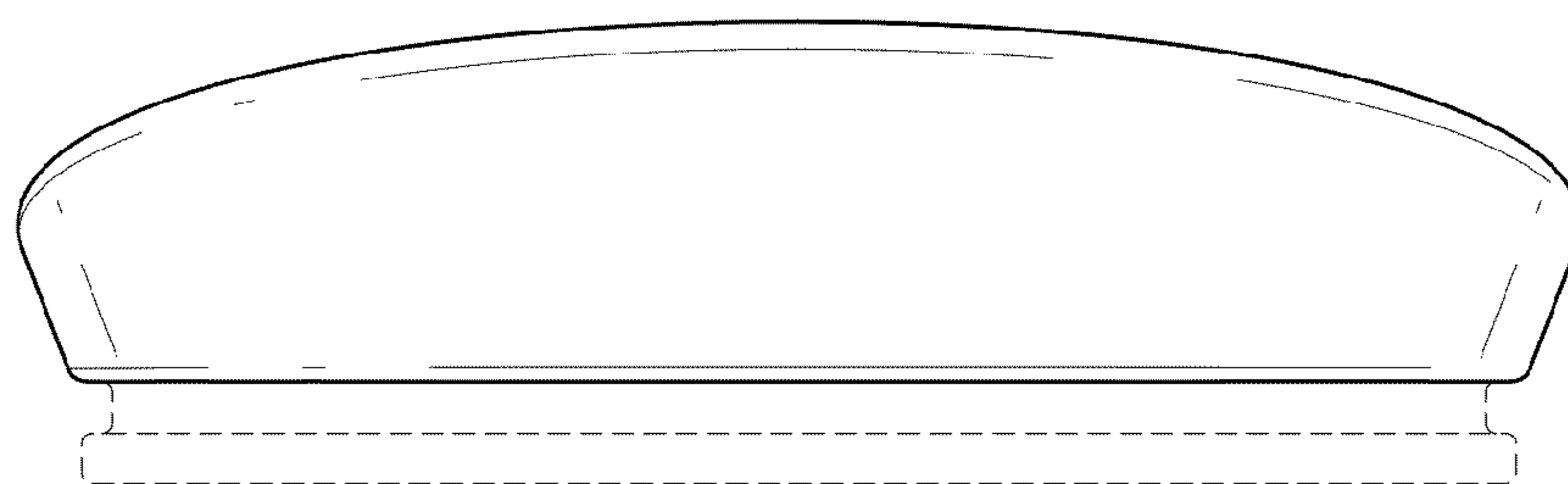


FIG. 7

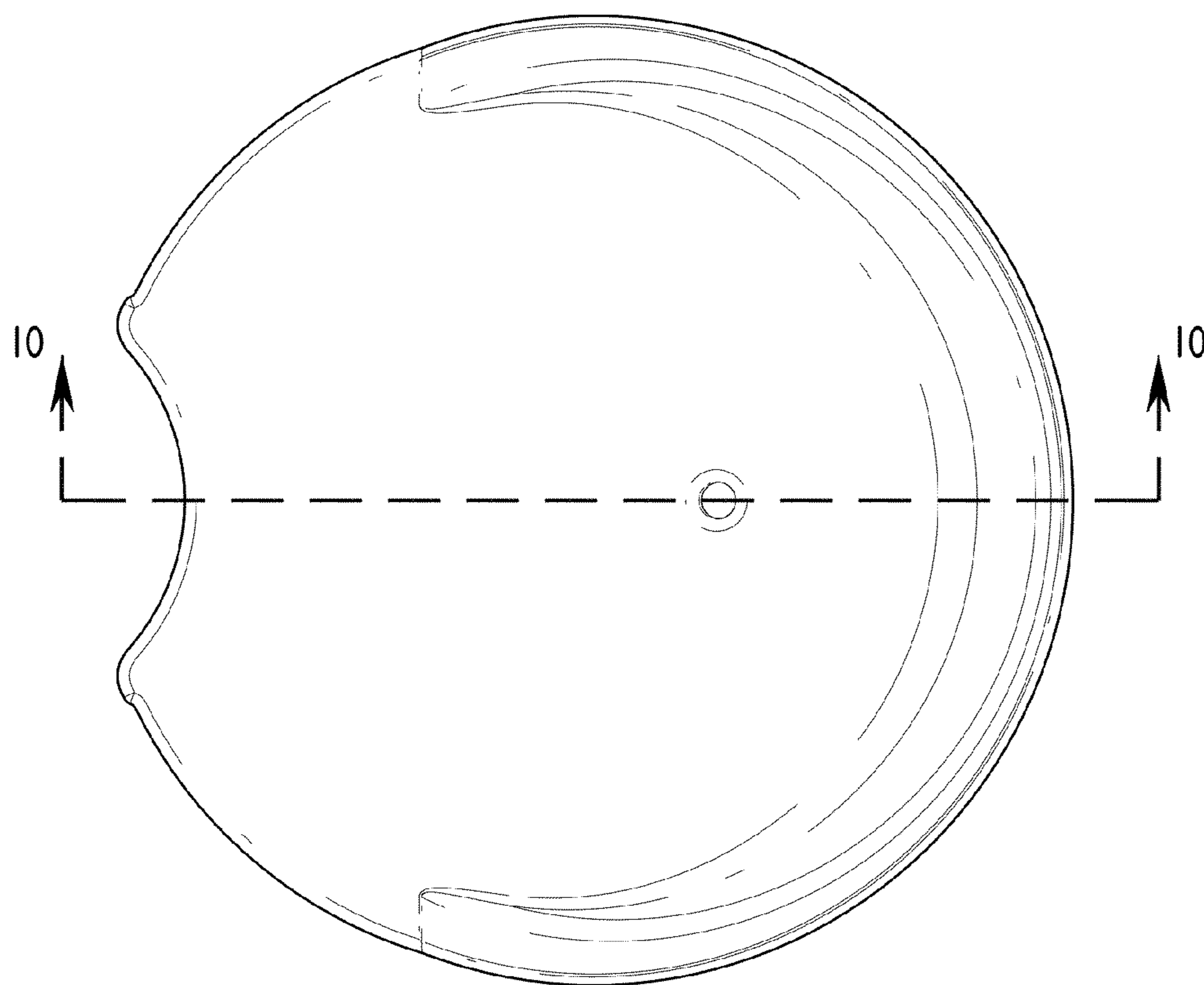


FIG. 8

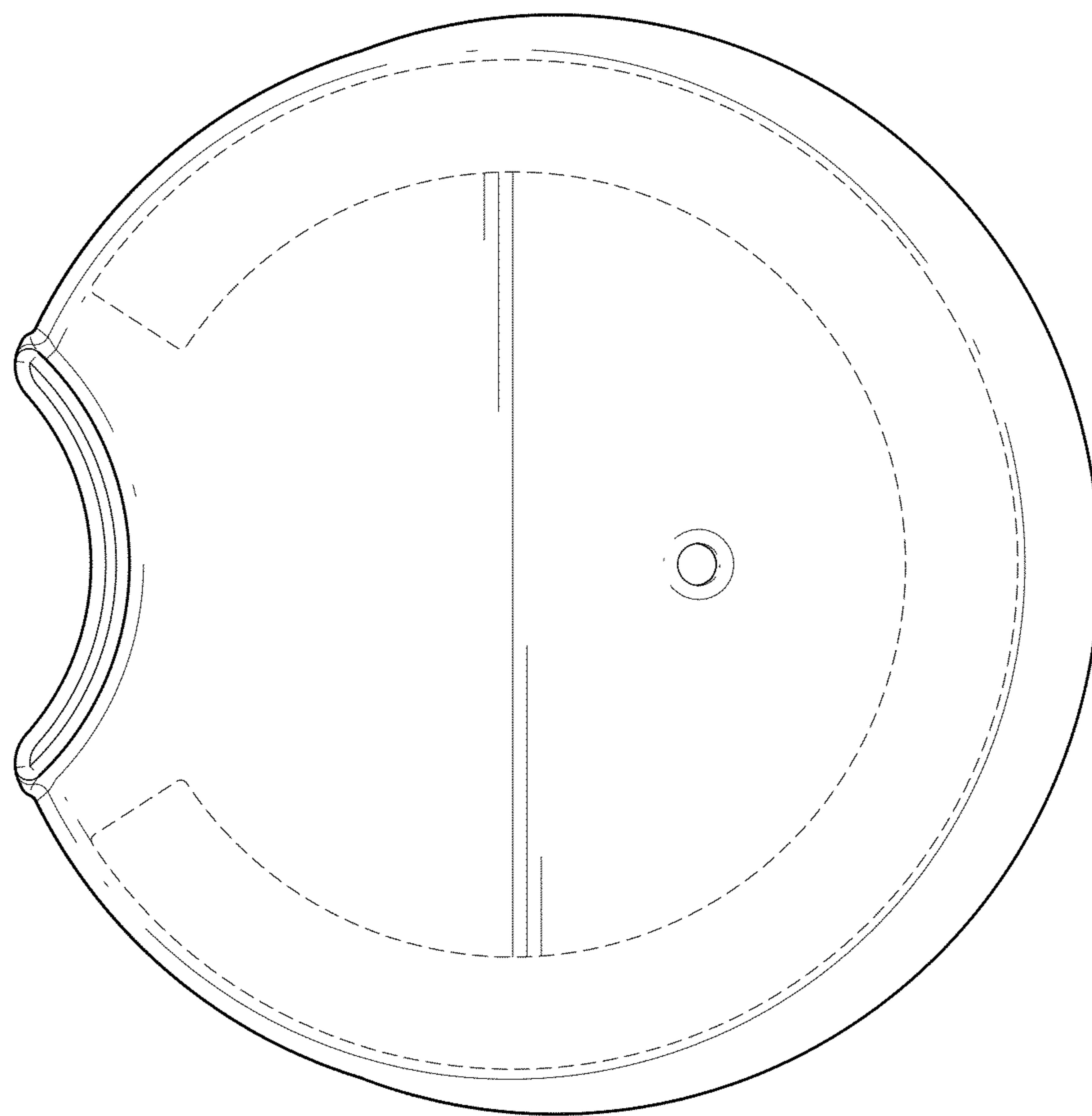


FIG. 9

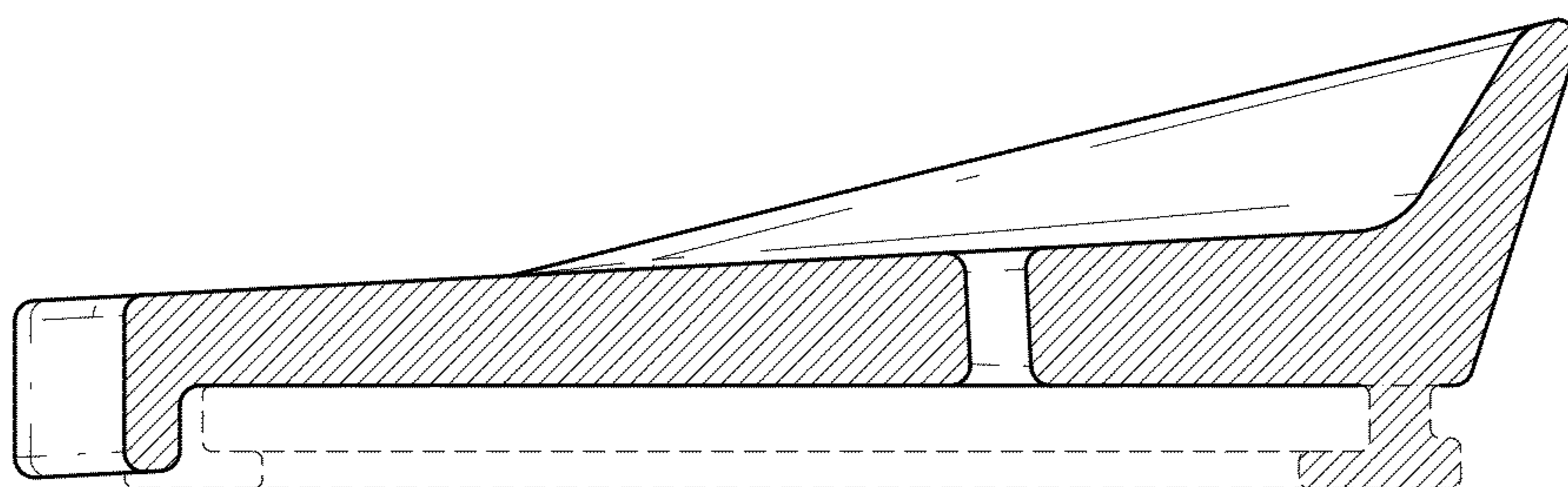


FIG. 10