



US00D755625S

(12) **United States Design Patent**  
**Cassens et al.**

(10) **Patent No.:** **US D755,625 S**  
(45) **Date of Patent:** **\*\* May 10, 2016**

(54) **PACKAGING FOR FOOD PRODUCT**

- (71) Applicant: **The Hillshire Brands Company**,  
Chicago, IL (US)
- (72) Inventors: **Martha E. Cassens**, Chicago, IL (US);  
**Stuart M. Leslie**, Larchmont, NY (US);  
**Jason C. Billing**, Mount Vernon, NY  
(US); **Victor Shapiro**, Brooklyn, NY  
(US)
- (73) Assignee: **The Hillshire Brands Company**,  
Chicago, IL (US)
- (\*\*) Term: **14 Years**
- (21) Appl. No.: **29/487,843**
- (22) Filed: **Apr. 11, 2014**

**Related U.S. Application Data**

- (62) Division of application No. 29/431,659, filed on Sep.  
10, 2012, now Pat. No. Des. 712,250.
- (51) **LOC (10) Cl.** ..... **09-07**
- (52) **U.S. Cl.**  
USPC ..... **D9/434; D9/756**
- (58) **Field of Classification Search**  
USPC ..... D9/629, 756, 759, 414-434, 707, 710,  
D9/652, 732, 761; 206/461-471; D7/354,  
D7/629, 538, 565, 610; 426/112;  
220/574-575  
See application file for complete search history.

(56) **References Cited**

**U.S. PATENT DOCUMENTS**

|             |         |                |
|-------------|---------|----------------|
| 3,246,746 A | 4/1966  | Danforth       |
| 3,522,877 A | 8/1970  | Phillips, Jr.  |
| 3,558,330 A | 1/1971  | Widiger et al. |
| 3,616,487 A | 11/1971 | Dearth         |
| 3,651,930 A | 3/1972  | Artz           |
| 3,692,175 A | 9/1972  | Hordler        |
| 3,751,341 A | 8/1973  | Seitz et al.   |

|              |         |                 |       |        |
|--------------|---------|-----------------|-------|--------|
| D231,089 S * | 4/1974  | Hill            | ..... | D9/424 |
| 3,800,998 A  | 4/1974  | Gask            |       |        |
| D236,881 S   | 9/1975  | Mitchell        |       |        |
| 4,202,465 A  | 5/1980  | Mclaren         |       |        |
| 4,382,513 A  | 5/1983  | Schirmer et al. |       |        |
| 4,656,068 A  | 4/1987  | Raines          |       |        |
| 4,775,076 A  | 10/1988 | Horvath         |       |        |

(Continued)

*Primary Examiner* — Susan Bennett Hattan

*Assistant Examiner* — Brett Miller

(74) *Attorney, Agent, or Firm* — Duane Morris LLP

(57) **CLAIM**

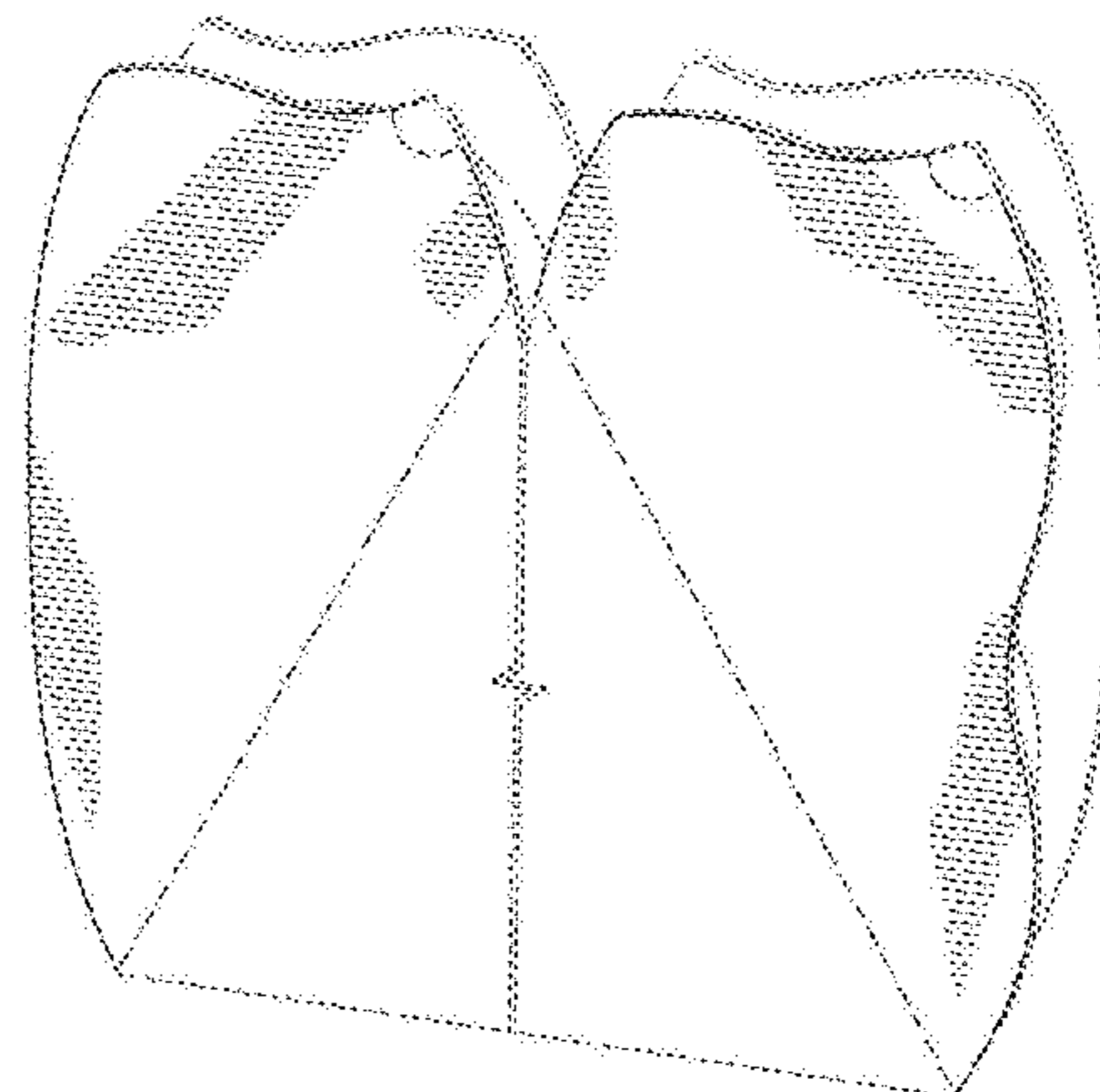
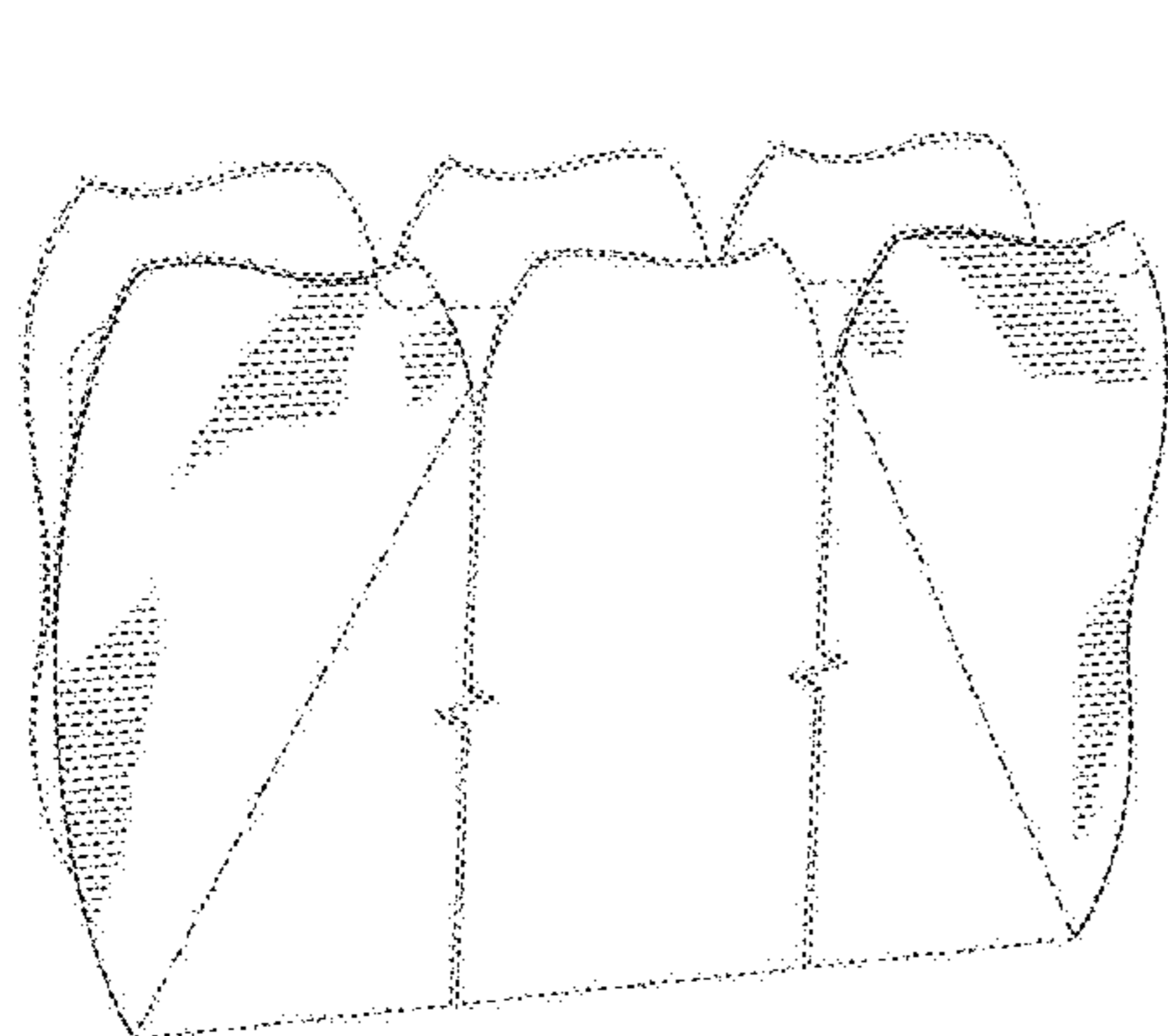
We claim the ornamental design for a packaging for food product, as shown and described.

**DESCRIPTION**

FIG. 1 is a perspective view of a first embodiment of packaging for food product, showing our new design;  
 FIG. 2 is a front view thereof;  
 FIG. 3 is a rear view thereof;  
 FIG. 4 is a right side view thereof;  
 FIG. 5 is a left side view thereof;  
 FIG. 6 is a top view thereof;  
 FIG. 7 is a bottom view thereof;  
 FIG. 8 is a top perspective view of a second embodiment of packaging for food product;  
 FIG. 9 is a front view thereof;  
 FIG. 10 is a rear view thereof;  
 FIG. 11 is a right side view thereof;  
 FIG. 12 is a left side view thereof;  
 FIG. 13 is a top view thereof; and,  
 FIG. 14 is a bottom view thereof.

The dash-dash and dash-dot boundary lines(s) defines the boundary of the claimed design and forms no part of the claimed design. The design is shown with symbolic break lines. The appearance of any portion of the article between the break lines forms no part of the claimed design. The broken lines depict portions of the packaging for food product that form no part of the claimed design.

**1 Claim, 14 Drawing Sheets**



(56)

References Cited

U.S. PATENT DOCUMENTS

|           |     |         |                               |  |              |     |         |                               |
|-----------|-----|---------|-------------------------------|--|--------------|-----|---------|-------------------------------|
| 4,813,543 | A   | 3/1989  | Goldberg                      |  | D563,225     | S   | 3/2008  | Mongeon et al.                |
| 4,889,731 | A   | 12/1989 | Williams, Jr.                 |  | D575,148     | S   | 8/2008  | Sagel                         |
| 4,956,212 | A   | 9/1990  | Bekele                        |  | 7,415,428    | B2  | 8/2008  | Garwood                       |
| D320,930  | S   | 10/1991 | Richards                      |  | D580,788     | S   | 11/2008 | Scholefield                   |
| 5,114,108 | A   | 5/1992  | Olschansky                    |  | 7,549,551    | B2  | 6/2009  | Tyberghein                    |
| 5,277,920 | A   | 1/1994  | Weaver, Jr.                   |  | 7,556,152    | B2  | 7/2009  | Lechelle                      |
| 5,318,787 | A   | 6/1994  | Brauner et al.                |  | 7,575,770    | B2  | 8/2009  | Garwood                       |
| 5,330,777 | A   | 7/1994  | Mize et al.                   |  | 7,671,308    | B2  | 3/2010  | Kreisman et al.               |
| 5,345,069 | A   | 9/1994  | Grindrod                      |  | 7,726,483    | B2  | 6/2010  | Ramanujam et al.              |
| 5,405,629 | A   | 4/1995  | Marnocha et al.               |  | 7,731,997    | B2  | 6/2010  | Castellanos et al.            |
| 5,421,473 | A   | 6/1995  | McCrosen                      |  | 7,802,695    | B2  | 9/2010  | Baker et al.                  |
| 5,543,104 | A   | 8/1996  | Stratford et al.              |  | D630,046     | S   | 1/2011  | Antoun et al.                 |
| 5,586,677 | A   | 12/1996 | Foos                          |  | 7,862,318    | B2  | 1/2011  | Middleton et al.              |
| 5,607,709 | A   | 3/1997  | Fritz et al.                  |  | 7,882,974    | B2  | 2/2011  | Evans et al.                  |
| 5,657,874 | A   | 8/1997  | Hustad et al.                 |  | D637,091     | S * | 5/2011  | Nottingham et al. .... D9/756 |
| D387,977  | S   | 12/1997 | Kallgren                      |  | 7,993,692    | B2  | 8/2011  | Finley et al.                 |
| 5,782,376 | A   | 7/1998  | Brauner et al.                |  | 8,025,179    | B2  | 9/2011  | Miller et al.                 |
| 5,897,011 | A   | 4/1999  | Brilliant et al.              |  | D646,561     | S   | 10/2011 | Pugh                          |
| 5,900,263 | A   | 5/1999  | Gics                          |  | 2003/0138653 | A1  | 7/2003  | Rieblinger et al.             |
| 5,916,615 | A   | 6/1999  | Brady et al.                  |  | 2003/0170359 | A1  | 9/2003  | Garwood                       |
| 5,935,697 | A   | 8/1999  | Gasse et al.                  |  | 2003/0183637 | A1  | 10/2003 | Zappa et al.                  |
| 5,989,610 | A   | 11/1999 | Ruzek                         |  | 2003/0203799 | A1  | 10/2003 | Vandenheuvel et al.           |
| 6,042,862 | A   | 3/2000  | Kocher et al.                 |  | 2003/0215551 | A1  | 11/2003 | Garwood                       |
| D430,794  | S * | 9/2000  | Parent-Inch ..... D9/709      |  | 2004/0185154 | A1  | 9/2004  | Garwood                       |
| 6,119,862 | A   | 9/2000  | Childress                     |  | 2005/0077297 | A1  | 4/2005  | Marshburn et al.              |
| D436,533  | S * | 1/2001  | Correll ..... D9/433          |  | 2006/0068063 | A1  | 3/2006  | Zerfas et al.                 |
| 6,572,909 | B1  | 6/2003  | Bagwell et al.                |  | 2006/0147588 | A1  | 7/2006  | Garwood                       |
| 6,598,740 | B1  | 7/2003  | Wiegers                       |  | 2006/0191935 | A1  | 8/2006  | Tuskiewicz et al.             |
| 6,616,998 | B2  | 9/2003  | Greer et al.                  |  | 2007/0116805 | A1  | 5/2007  | Castellanos et al.            |
| 6,667,082 | B2  | 12/2003 | Bamore et al.                 |  | 2008/0113133 | A1  | 5/2008  | Fackler et al.                |
| 6,669,046 | B1  | 12/2003 | Sawada et al.                 |  | 2008/0248162 | A1  | 10/2008 | Cook et al.                   |
| 6,670,023 | B2  | 12/2003 | Mueller                       |  | 2009/0159483 | A1  | 6/2009  | Hinze et al.                  |
| 6,672,473 | B2  | 1/2004  | Torniainen et al.             |  | 2009/0194451 | A1  | 8/2009  | Leiner et al.                 |
| 6,769,227 | B2  | 8/2004  | Mumpower et al.               |  | 2009/0234042 | A1  | 9/2009  | Luinstra                      |
| 6,861,127 | B2  | 3/2005  | Glawe et al.                  |  | 2009/0291174 | A1  | 11/2009 | Lewis                         |
| D505,320  | S * | 5/2005  | Gattefosse et al. .... D9/732 |  | 2010/0065562 | A1  | 3/2010  | Vovan                         |
| 6,979,494 | B2  | 12/2005 | Berrier et al.                |  | 2010/0255162 | A1  | 10/2010 | Becraft et al.                |
| 7,056,593 | B2  | 6/2006  | Kennedy et al.                |  | 2010/0307116 | A1  | 12/2010 | Fisher                        |
| 7,205,016 | B2  | 4/2007  | Garwood                       |  | 2011/0012291 | A1  | 1/2011  | Middleton et al.              |
| D542,649  | S   | 5/2007  | Sagel et al.                  |  | 2011/0056949 | A1  | 3/2011  | Reiterer et al.               |
| 7,261,219 | B2  | 8/2007  | Tucker et al.                 |  | 2011/0086141 | A1  | 4/2011  | Strilich et al.               |
|           |     |         |                               |  | 2011/0240644 | A1  | 10/2011 | Kimmell et al.                |
|           |     |         |                               |  | 2011/0247961 | A1  | 10/2011 | Mondini                       |

\* cited by examiner

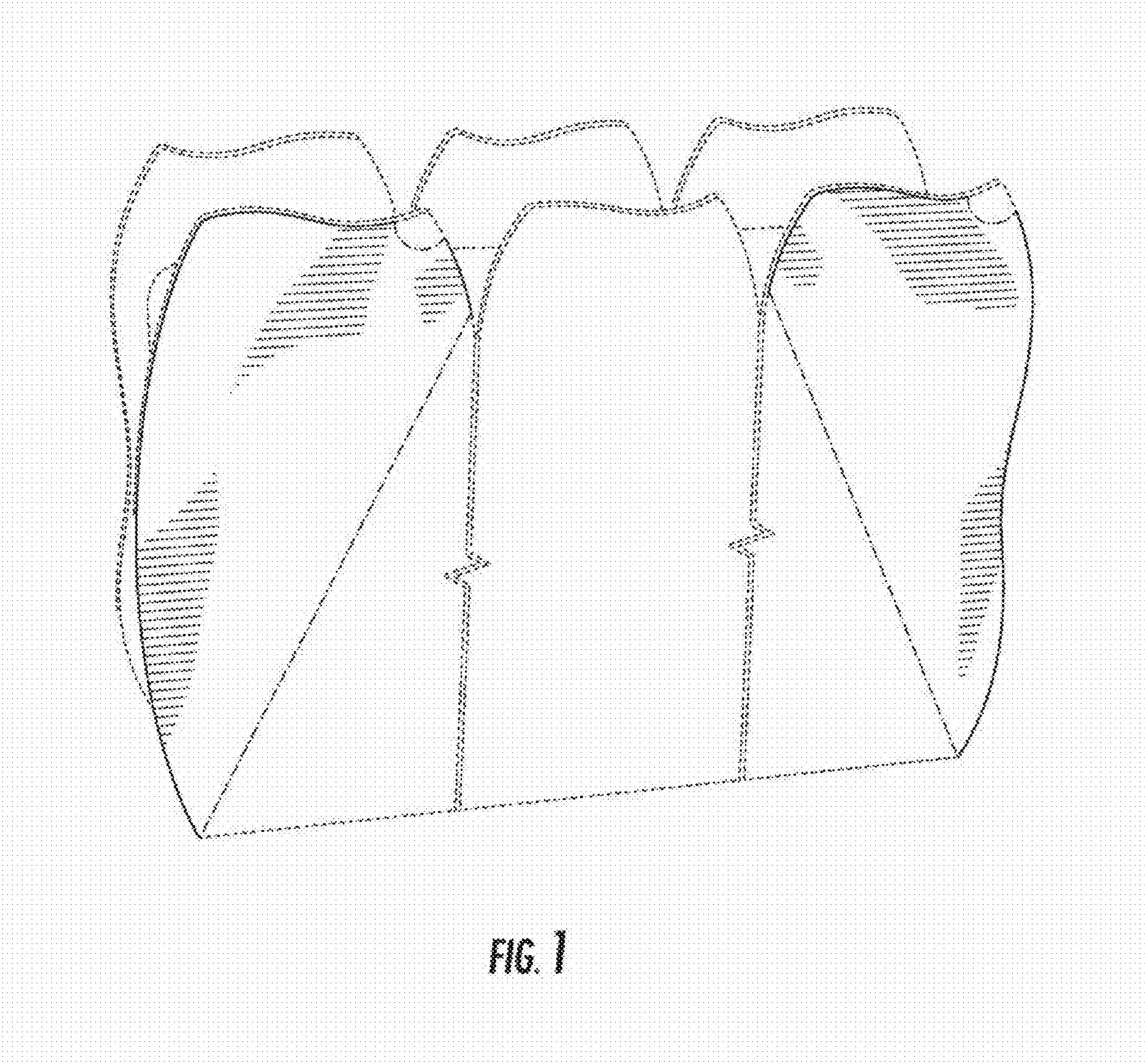
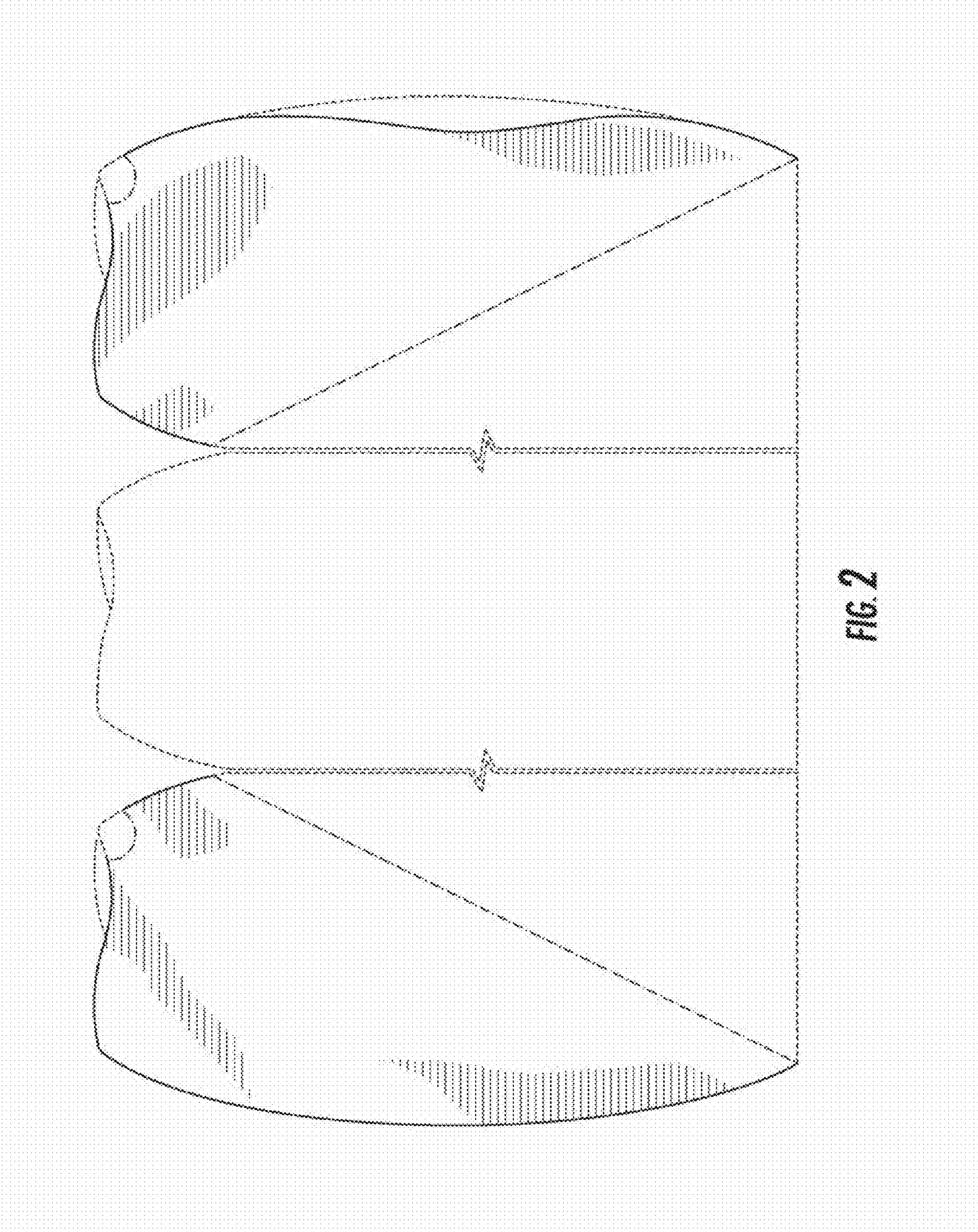
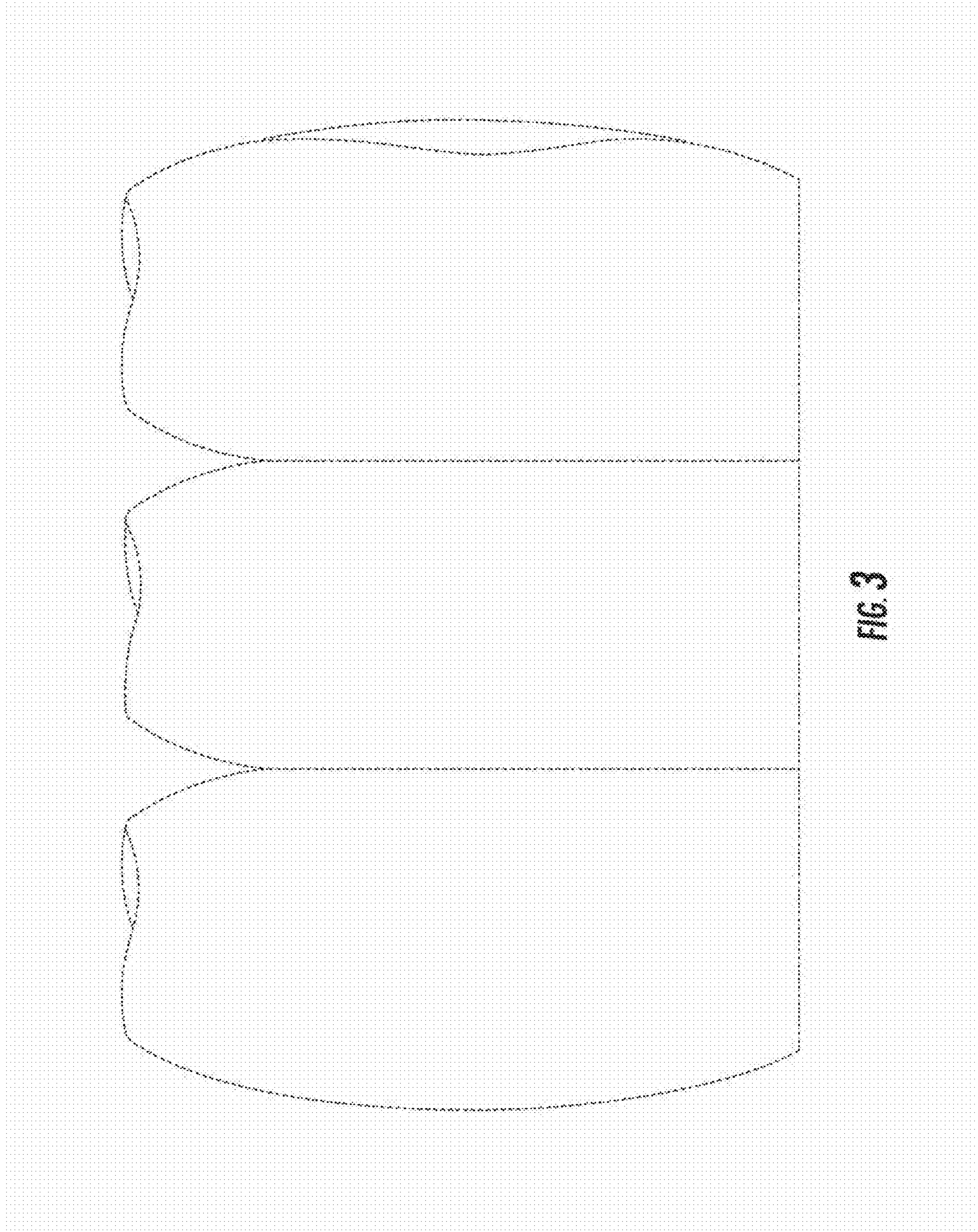


FIG. 1





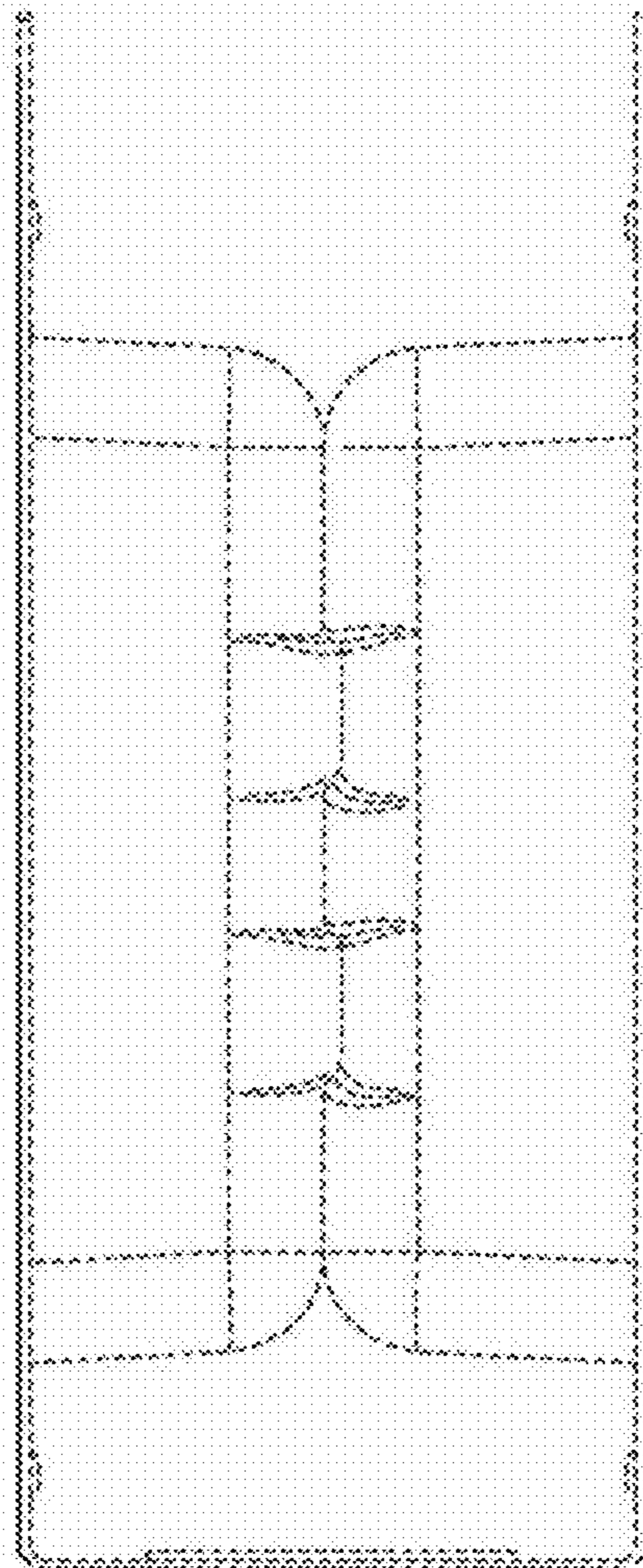


FIG. 4

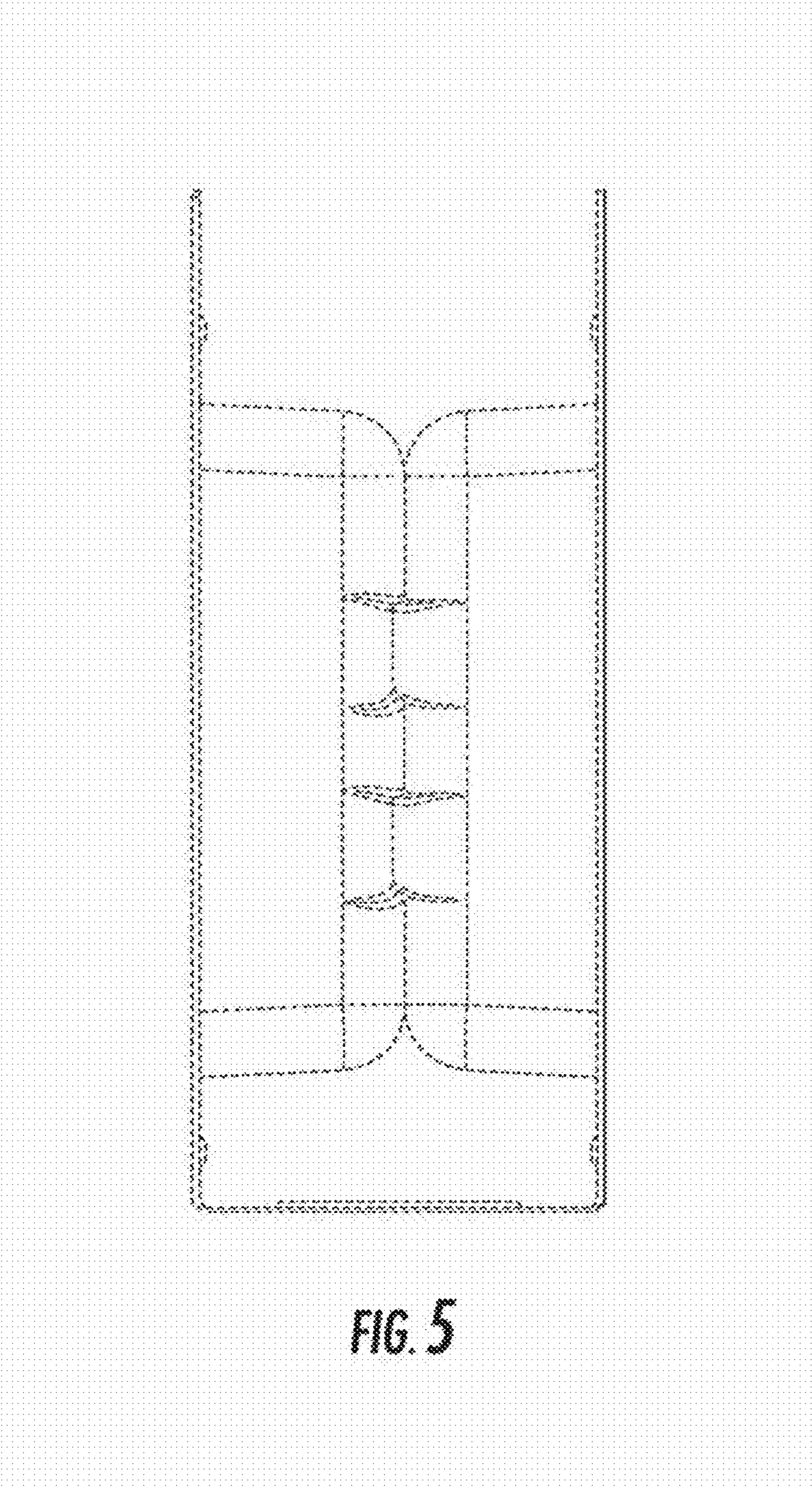


FIG. 5

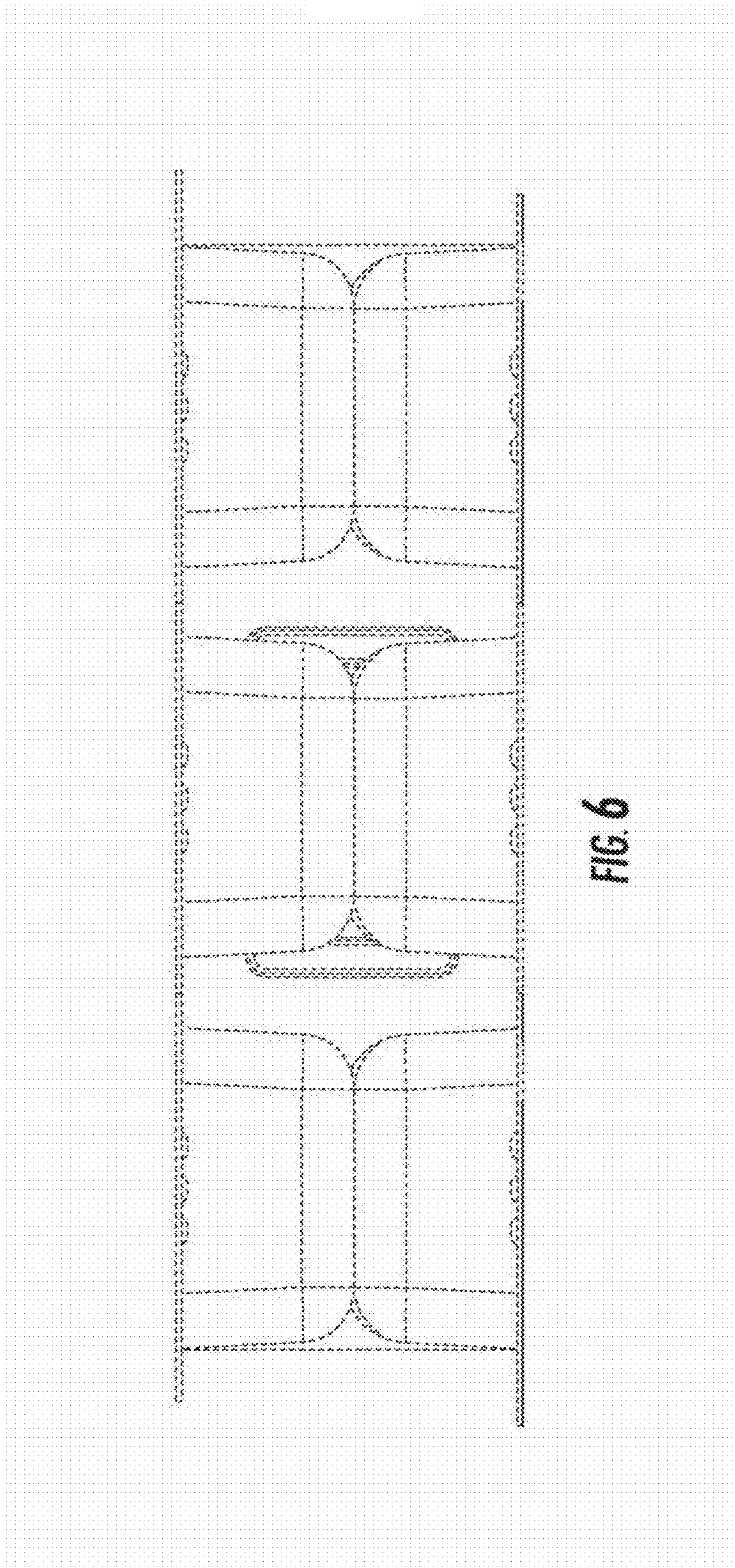


FIG. 6



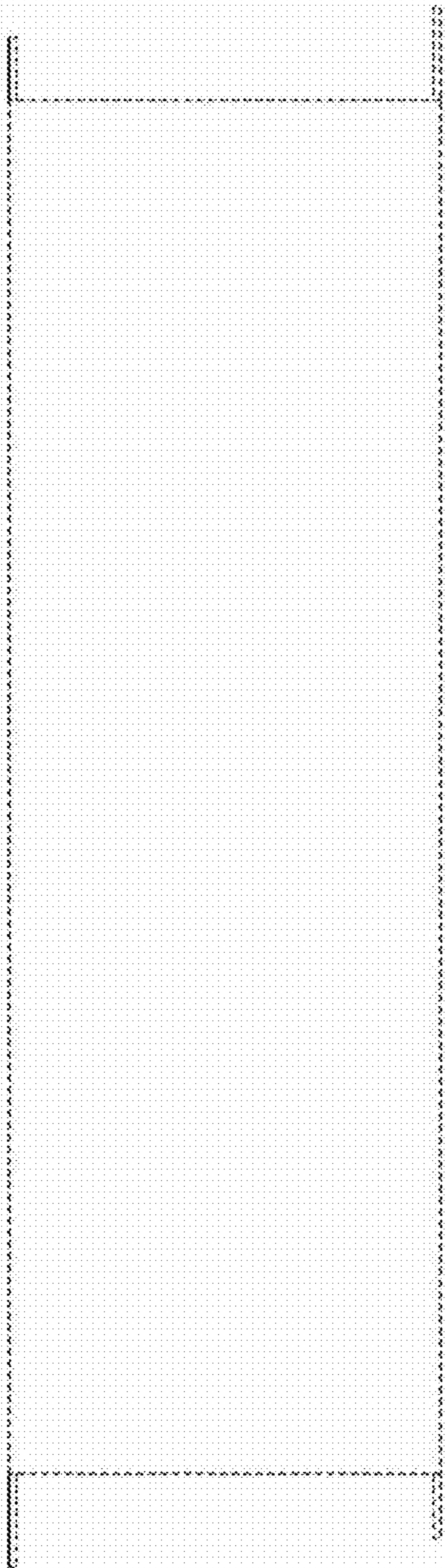
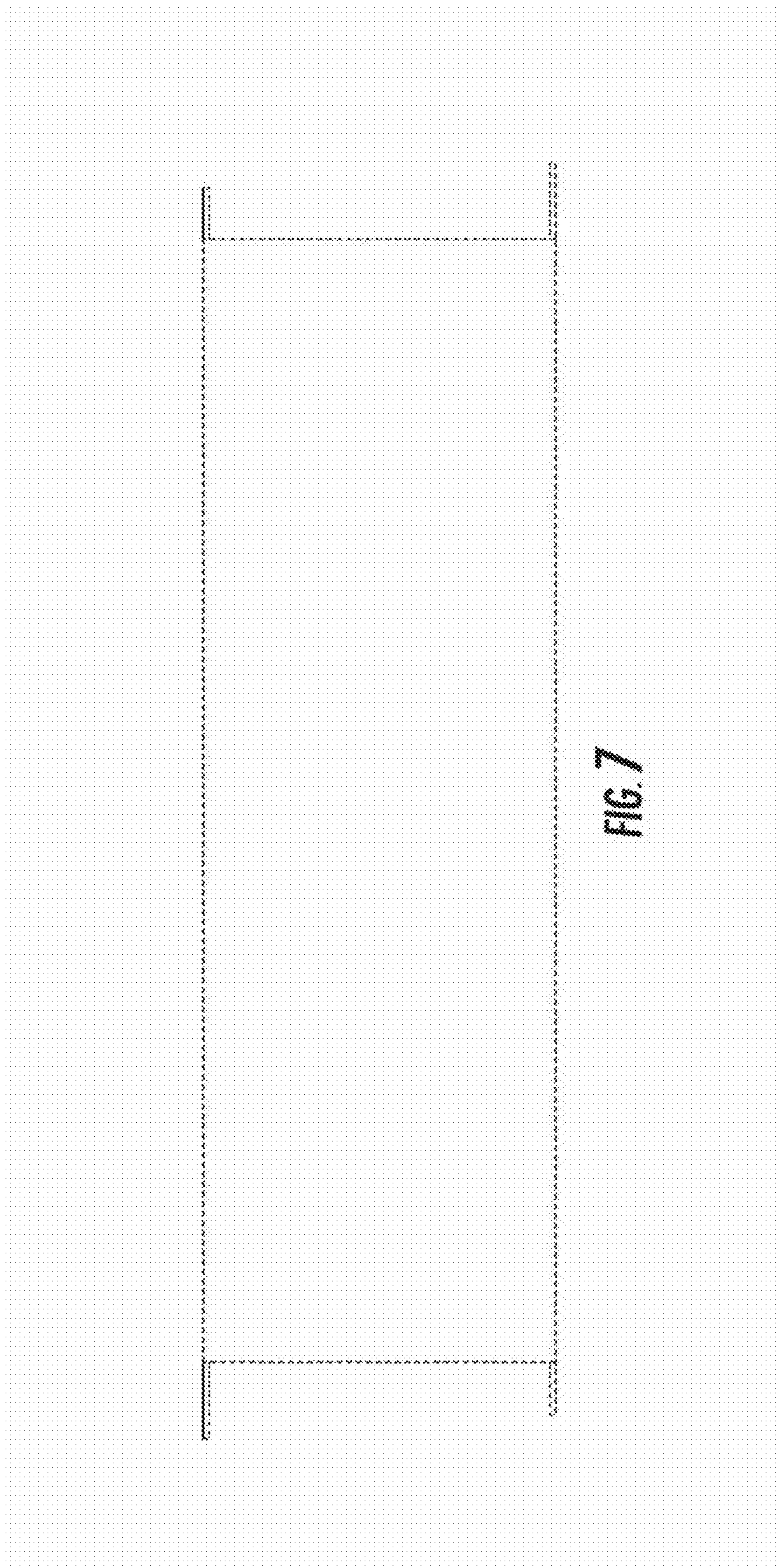


FIG. 7

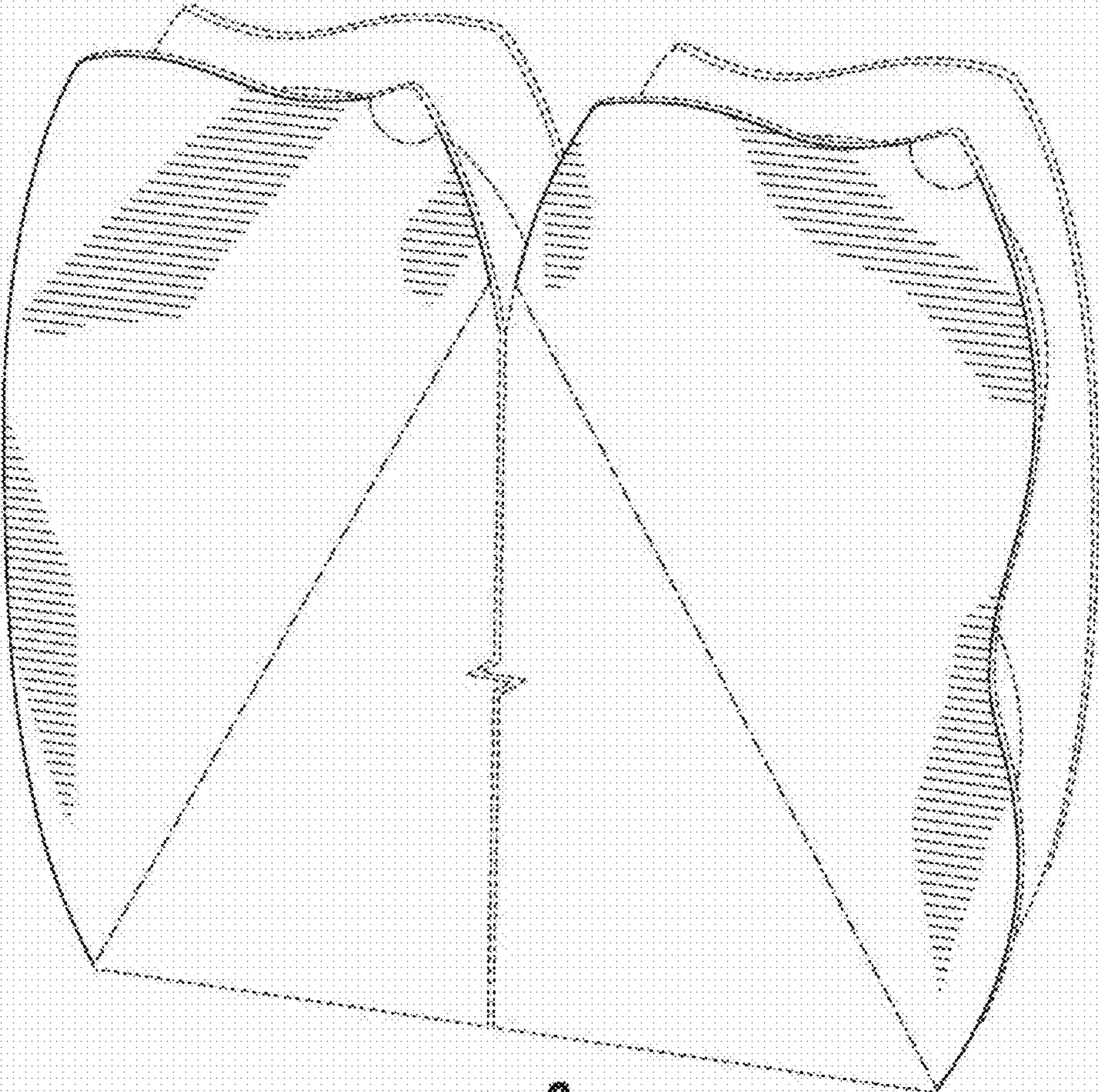


FIG. 8

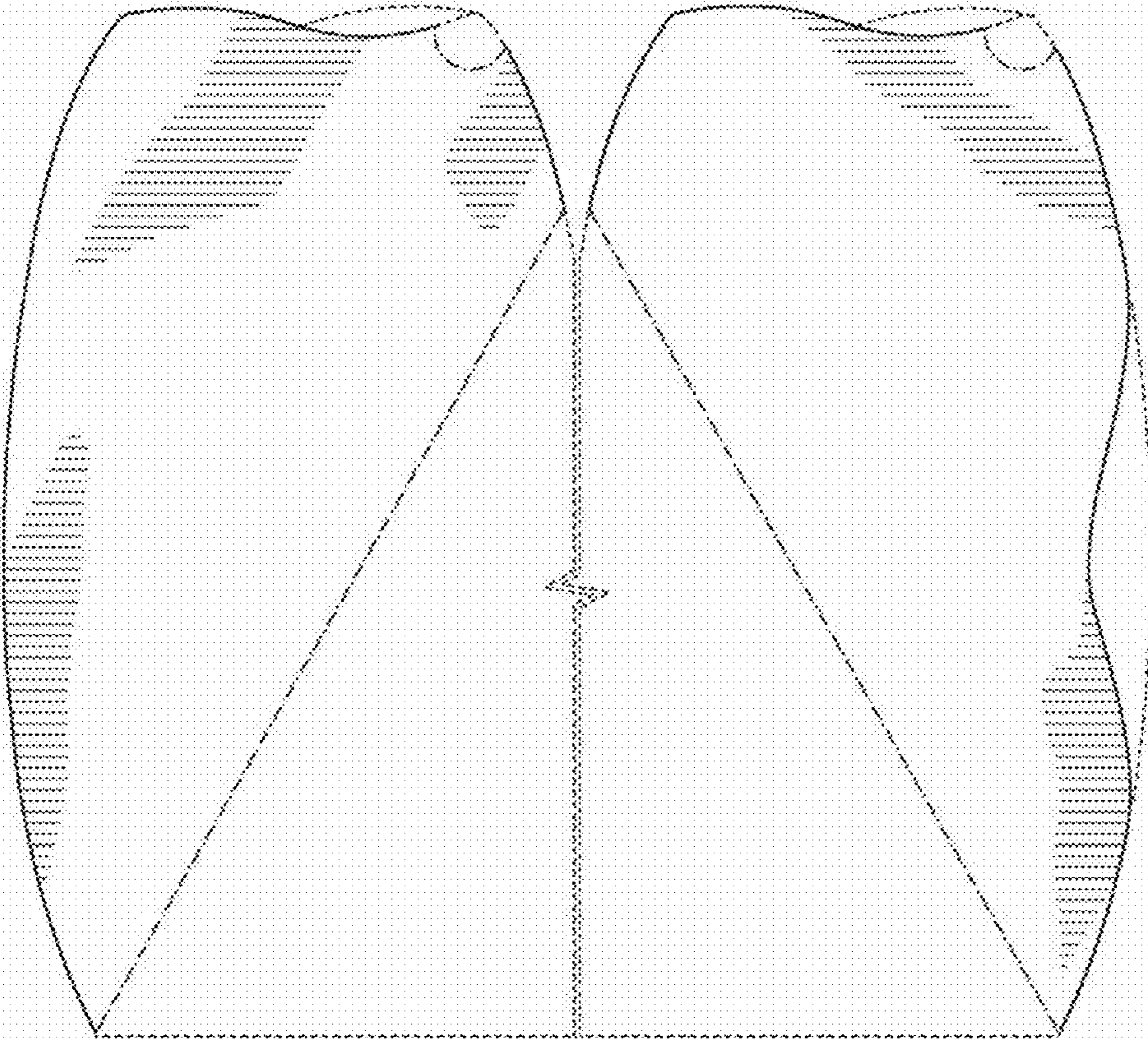
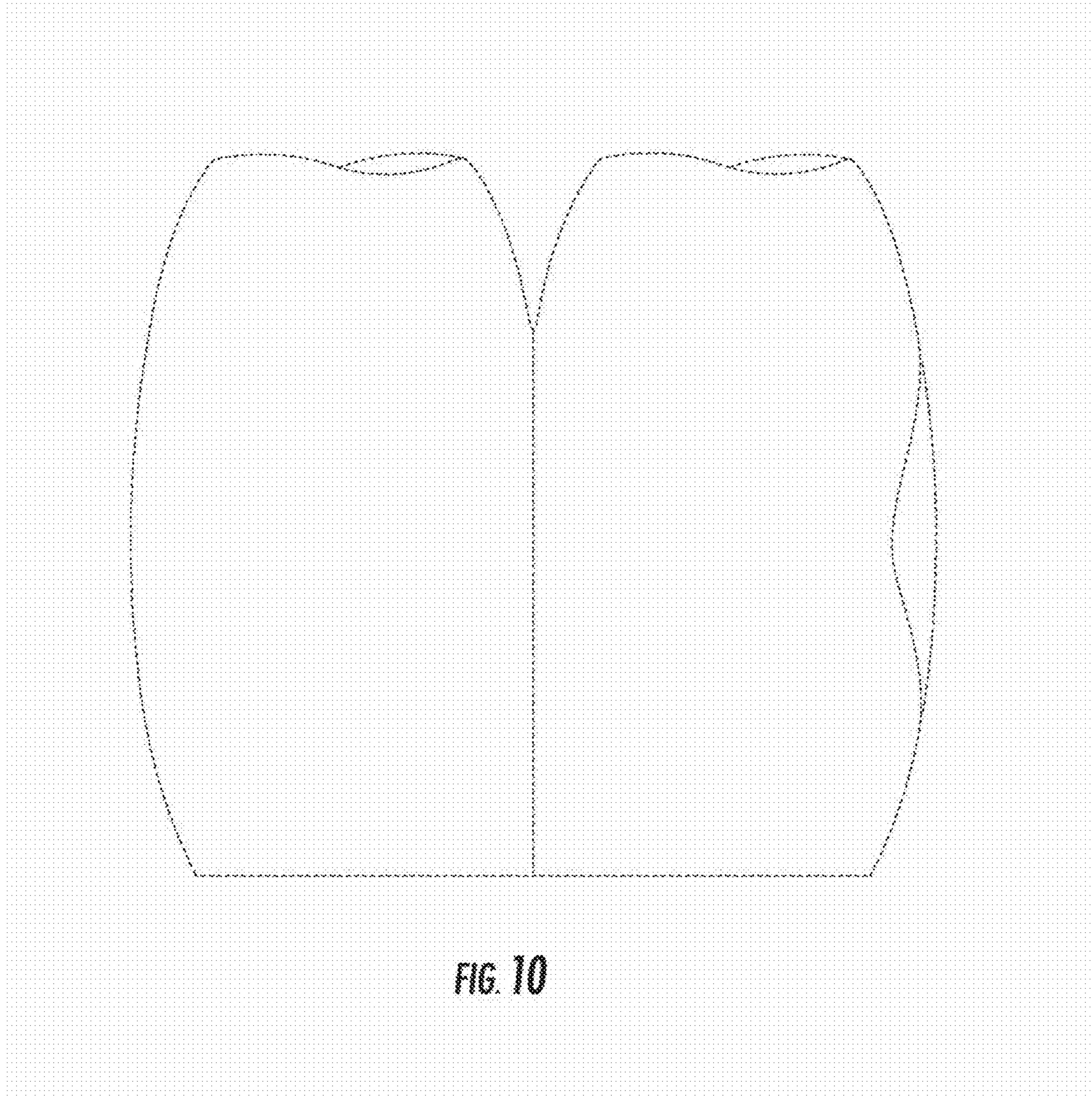


FIG. 9



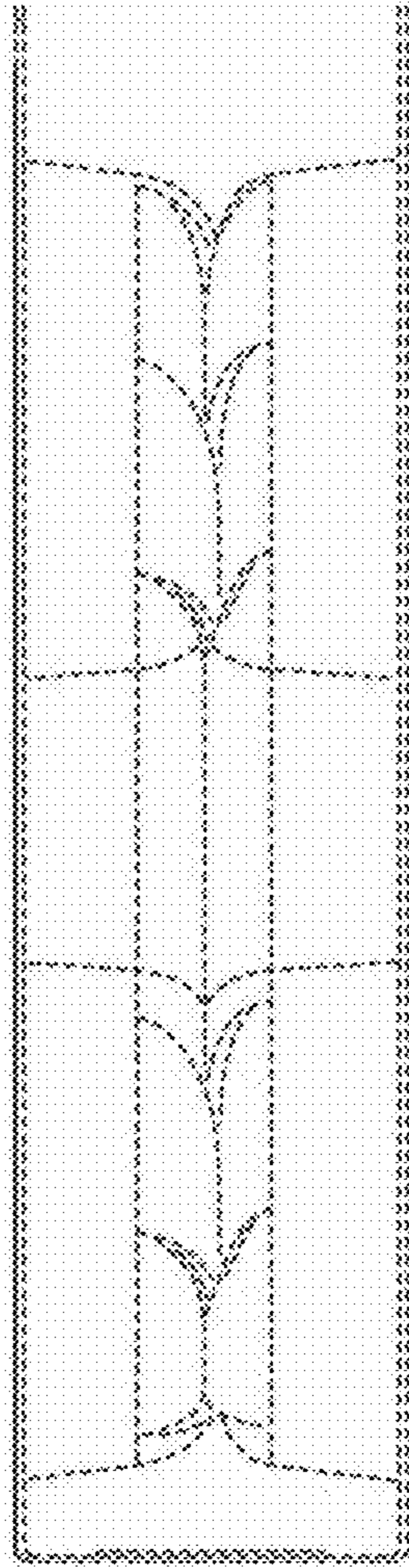


FIG. 11

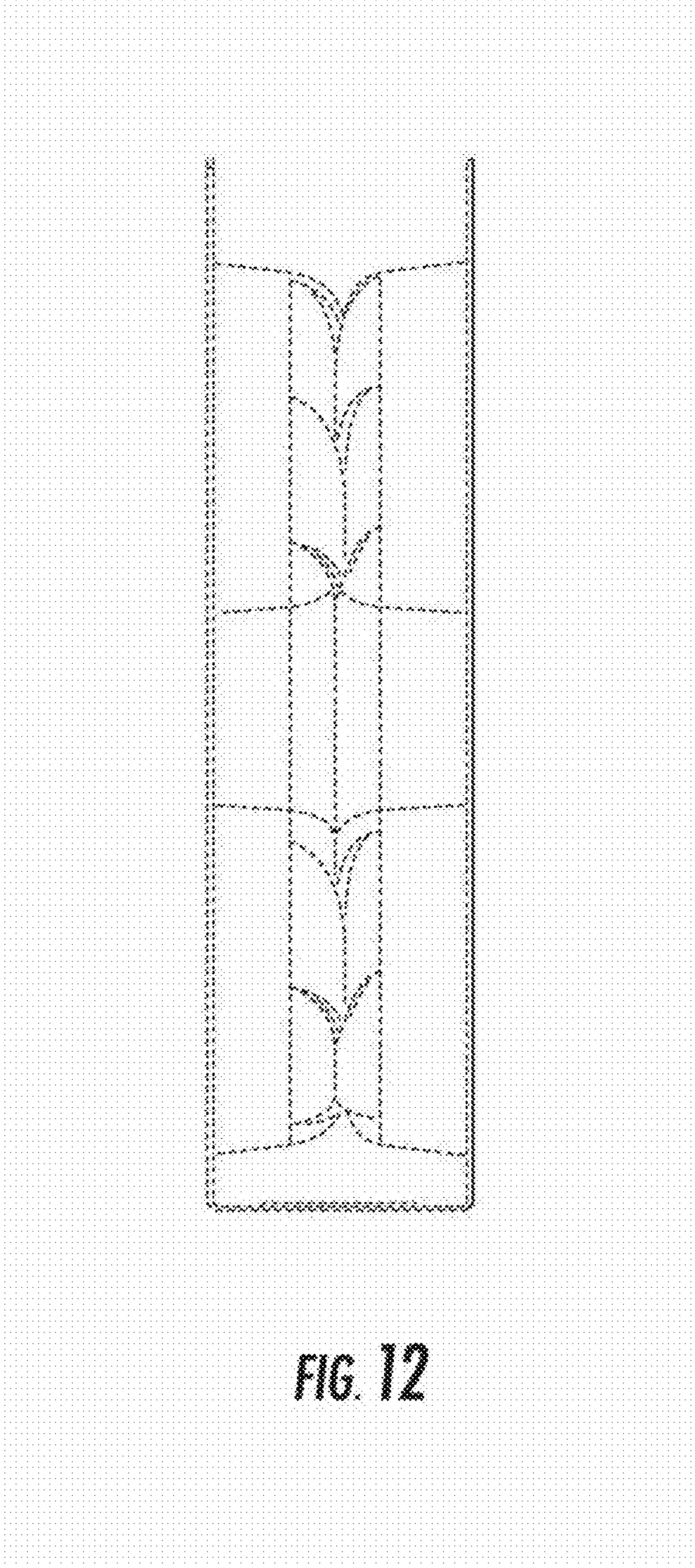


FIG. 12

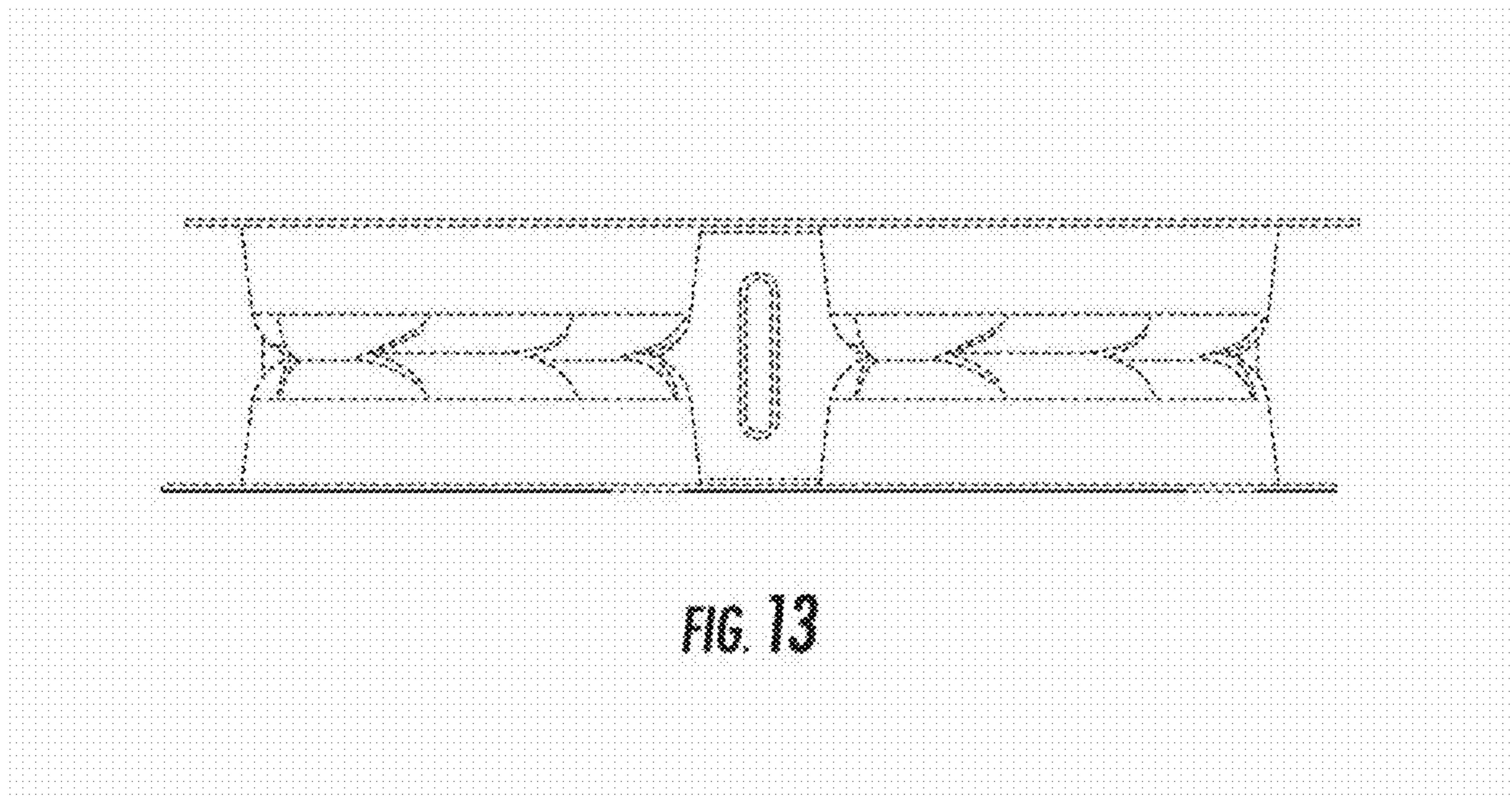


FIG. 13

