

US00D755622S

(12) **United States Design Patent**  
**Rodenhouse et al.**

(10) **Patent No.:** **US D755,622 S**  
(45) **Date of Patent:** **\*\* May 10, 2016**

- (54) **IMPALING WASHER**
- (71) Applicant: **Rodenhouse, Inc.**, Grand Rapids, MI (US)
- (72) Inventors: **Robert H. Rodenhouse**, Grand Rapids, MI (US); **Jason R. Wigboldy**, Grand Rapids, MI (US)
- (73) Assignee: **Rodenhouse, Inc.**, Grand Rapids, MI (US)

5,755,545 A \* 5/1998 Banks ..... E04D 3/3606  
411/482

5,833,422 A 11/1998 Haga et al.

D410,869 S \* 6/1999 Singer ..... D12/114

6,039,525 A 3/2000 Johnson

6,231,063 B1 \* 5/2001 Chi ..... B62K 21/06  
280/276

D482,270 S 11/2003 Derilo

D517,404 S \* 3/2006 Schluter ..... D8/387

D549,091 S 8/2007 McIntyre et al.

D576,480 S 9/2008 Vakiener et al.

(Continued)

(\*\*) Term: **14 Years**

(21) Appl. No.: **29/503,882**

(22) Filed: **Sep. 30, 2014**

(51) **LOC (10) Cl.** ..... **08-08**

(52) **U.S. Cl.**  
USPC ..... **D8/399**

(58) **Field of Classification Search**  
USPC ..... D8/397, 394, 382, 349, 312, 107, 399;  
D11/222; D2/869  
CPC ..... F16L 19/0206; B60B 3/16; F16B 39/26;  
F16B 39/24; F16B 37/02; F16B 31/02;  
H01R 9/0524  
See application file for complete search history.

(56) **References Cited**

**U.S. PATENT DOCUMENTS**

D32,793 S 6/1900 Fauber

3,069,919 A \* 12/1962 Schultz, Jr. .... F16H 55/44  
474/169

4,102,239 A 7/1978 Dallas

4,292,876 A \* 10/1981 De Graan ..... F16B 43/001  
411/369

4,793,757 A 12/1988 Peterson

5,079,055 A 1/1992 Doyle

5,419,666 A 5/1995 Best

5,423,858 A 6/1995 Bolanos et al.

5,517,883 A 5/1996 Goldi et al.

5,541,377 A 7/1996 Stuhlmacher

**OTHER PUBLICATIONS**

Brochure disclosing 2" diameter Plasti-Grip® PBLP2 washer distributed by Rodenhouse Inc. more than one year prior to Sep. 6, 2012.

(Continued)

*Primary Examiner* — Cynthia Underwood

(74) *Attorney, Agent, or Firm* — Gardner, Linn, Burkhardt & Flory, LLP

(57) **CLAIM**

The ornamental design for the impaling washer, as shown and described.

**DESCRIPTION**

FIG. 1 is a top side perspective view of a first embodiment of the impaling washer showing the design in an environment of use;

FIG. 2 is a top perspective view of the impaling washer of FIG. 1;

FIG. 3 is a top plan view of the impaling washer of FIG. 1;

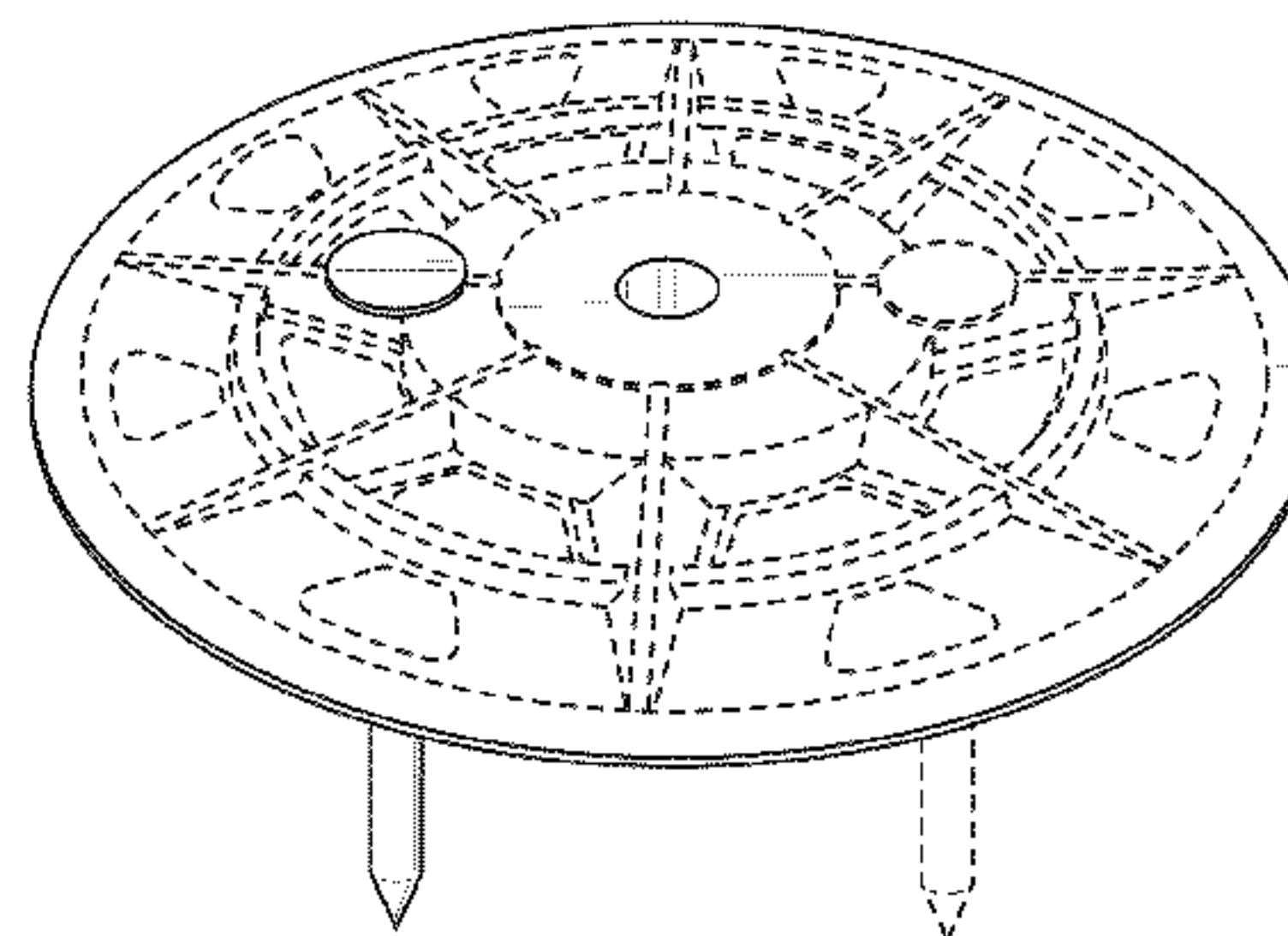
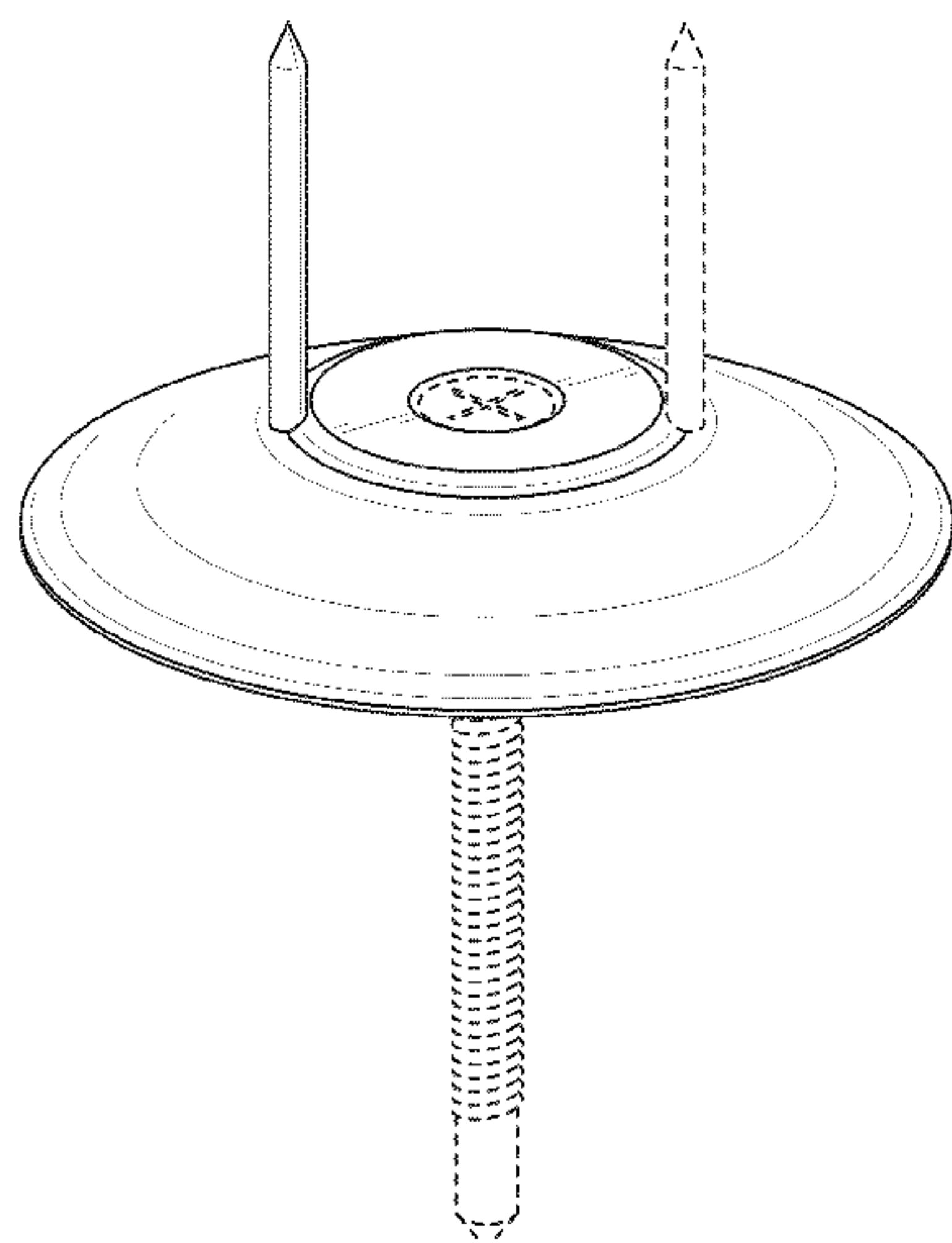
FIG. 4 is a bottom plan view of the impaling washer of FIG. 1;

FIG. 5 is a side elevation view of the impaling washer of FIG. 1; and,

FIG. 6 is a bottom side perspective view of the impaling washer of FIG. 1.

The broken lines depict environmental subject matter and form no part of the claim.

**1 Claim, 6 Drawing Sheets**



(56)

References Cited

U.S. PATENT DOCUMENTS

D596,934 S 7/2009 Vakiener et al.  
 D634,248 S \* 3/2011 Chen ..... D12/177  
 7,896,380 B2 \* 3/2011 Tange ..... B62K 19/32  
 280/276  
 D644,921 S \* 9/2011 Hsu ..... D8/399  
 D645,337 S \* 9/2011 Hsu ..... D8/399  
 D660,691 S 5/2012 Yamazaki  
 D663,243 S \* 7/2012 Li ..... D12/118  
 8,413,740 B2 4/2013 Rodenhouse  
 D682,666 S 5/2013 Wigboldy  
 D696,930 S 1/2014 Rodenhouse et al.  
 D696,931 S 1/2014 Rodenhouse et al.  
 D696,932 S 1/2014 Rodenhouse et al.  
 8,753,042 B1 \* 6/2014 Thompson ..... F16B 5/0692  
 405/259.1  
 D710,191 S \* 8/2014 Yamazaki ..... D8/399  
 D719,798 S \* 12/2014 Thompson ..... D8/1  
 2004/0060723 A1 \* 4/2004 Pallapothu ..... B60R 16/0222  
 174/653

2004/0084099 A1 \* 5/2004 Miura ..... F16L 55/1141  
 138/89  
 2006/0171794 A1 8/2006 Ordonio, Jr. et al.  
 2008/0310932 A1 12/2008 McIntyre et al.

OTHER PUBLICATIONS

Brochure disclosing 1 3/4" diameter Plasti-Grip® CBW washer distributed by Rodenhouse Inc. more than one year prior to Sep. 6, 2012.  
 Brochure disclosing 1 1/4" diameter Grip-Plate® Tab washer distributed by Rodenhouse Inc. more than one year prior to Sep. 6, 2012.  
 Brochure disclosing 1 1/4" diameter Grip-Plate® Plastic washer distributed by Rodenhouse Inc. more than one year prior to Sep. 6, 2012.  
 Brochure disclosing 2" diameter Plasti-Grip® CBW2 washer distributed by Rodenhouse Inc. more than one year prior to Sep. 6, 2012.  
 Brochure disclosing 1 3/4" diameter Plasti-Grip® III washer distributed by Rodenhouse Inc. more than one year prior to Sep. 6, 2012.  
 Brochure disclosing Plasti-Grip® PMF Plastic Masonry Fastener distributed by Rodenhouse Inc. more than one year prior to Sep. 6, 2012.  
 Brochure disclosing 3" diameter Grip-Lok® "Hurricane" washer distributed by Rodenhouse Inc. more than one year prior to Sep. 6, 2012.

\* cited by examiner

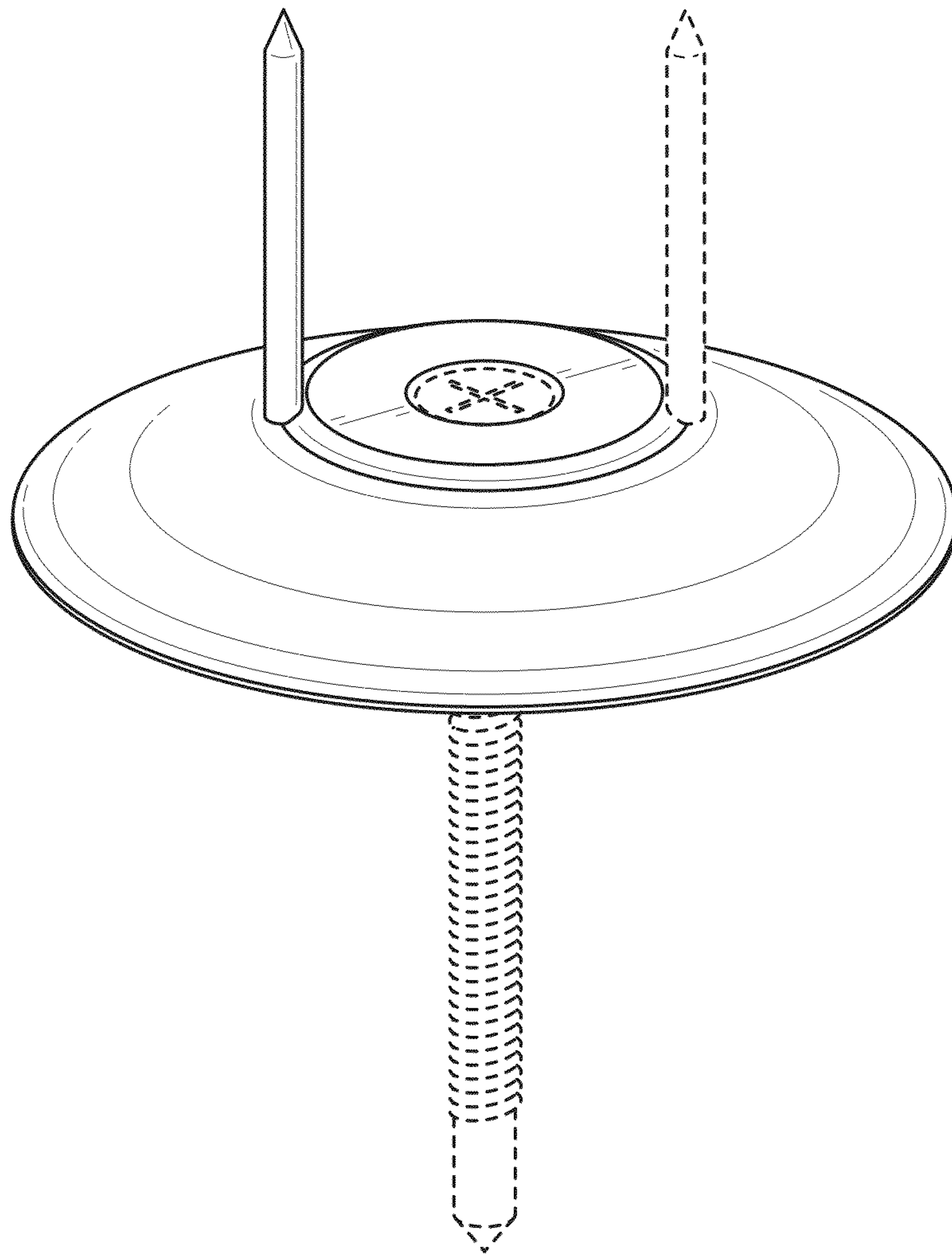


FIG. 1

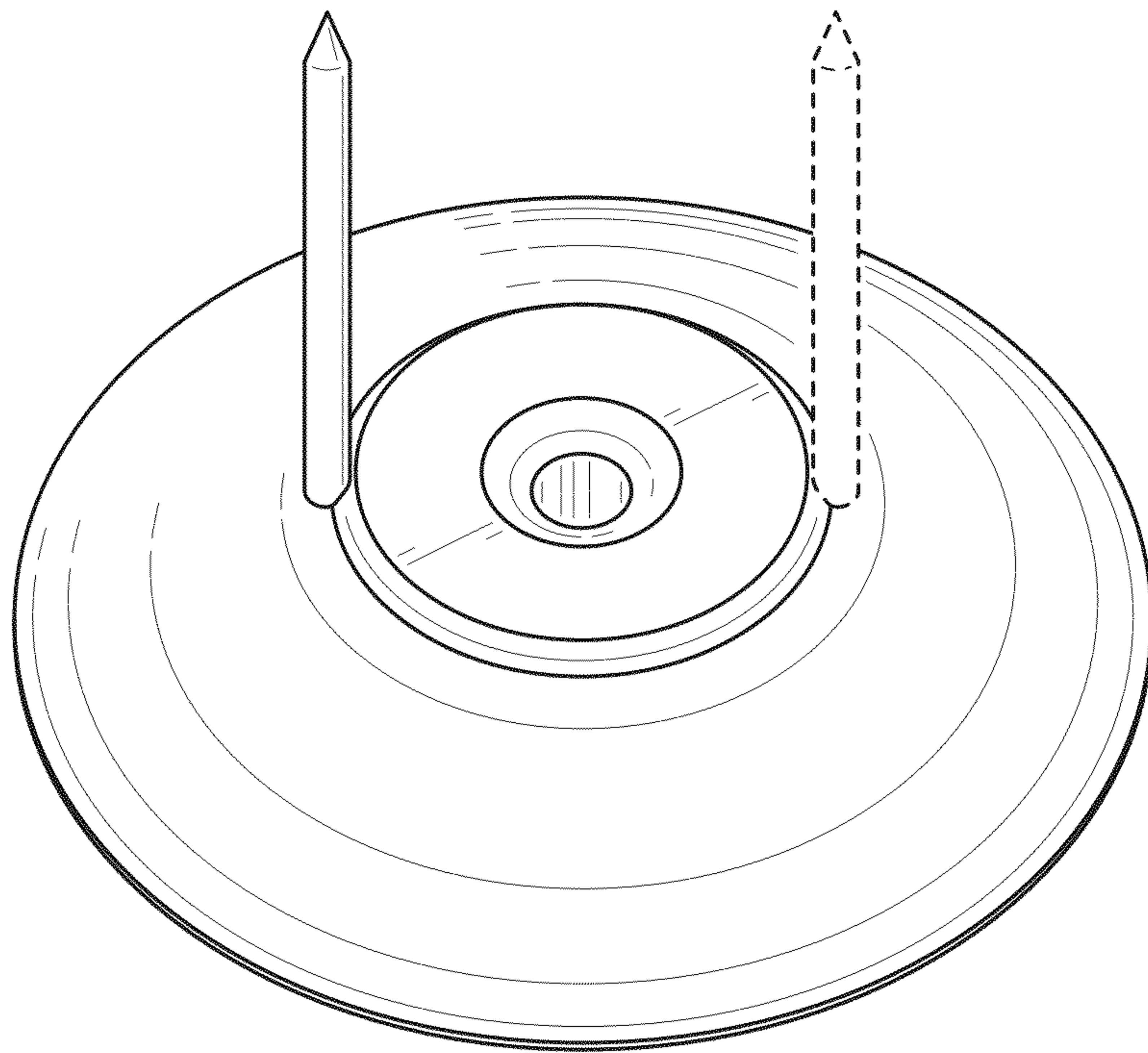


FIG. 2



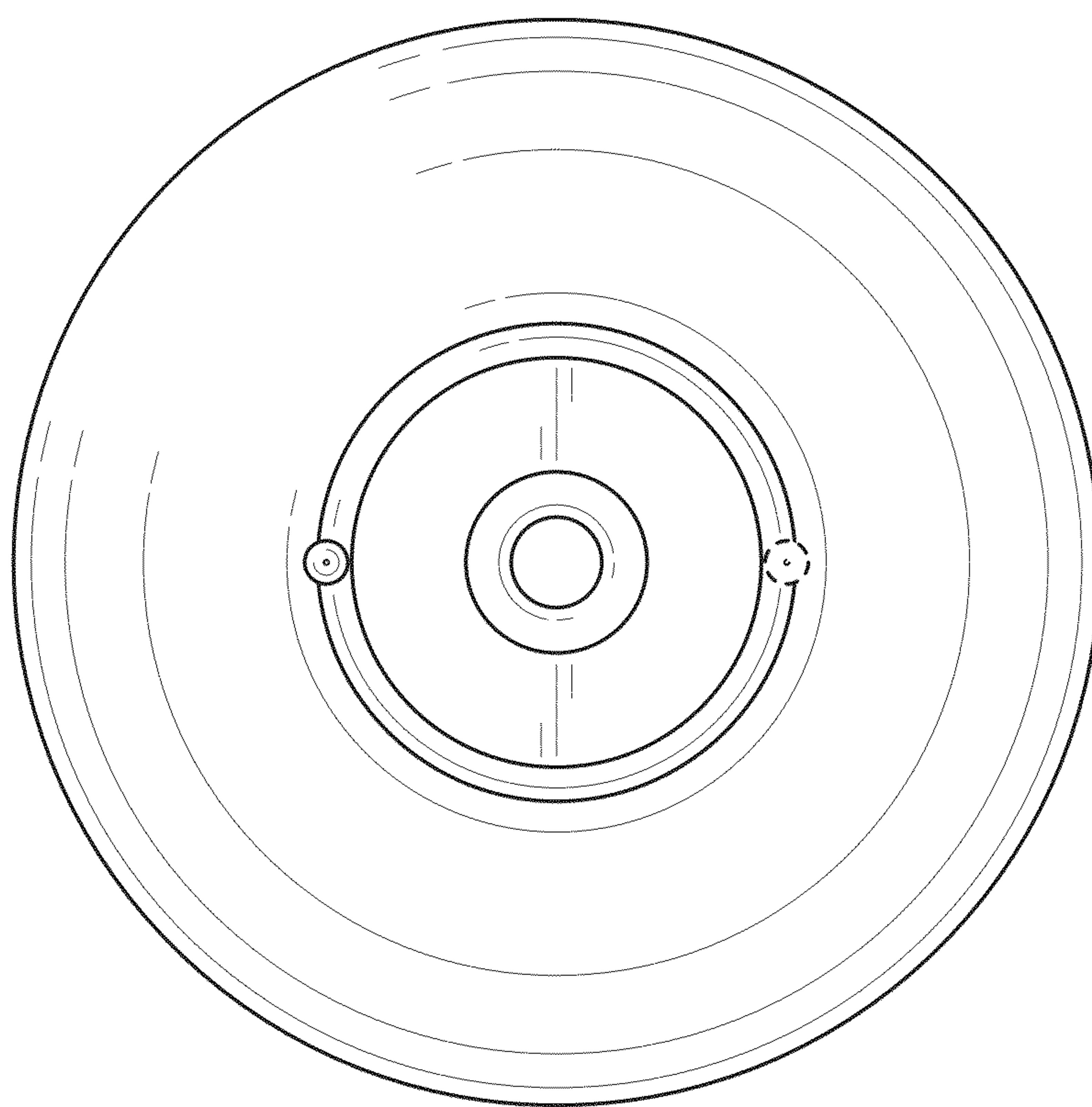


FIG. 3

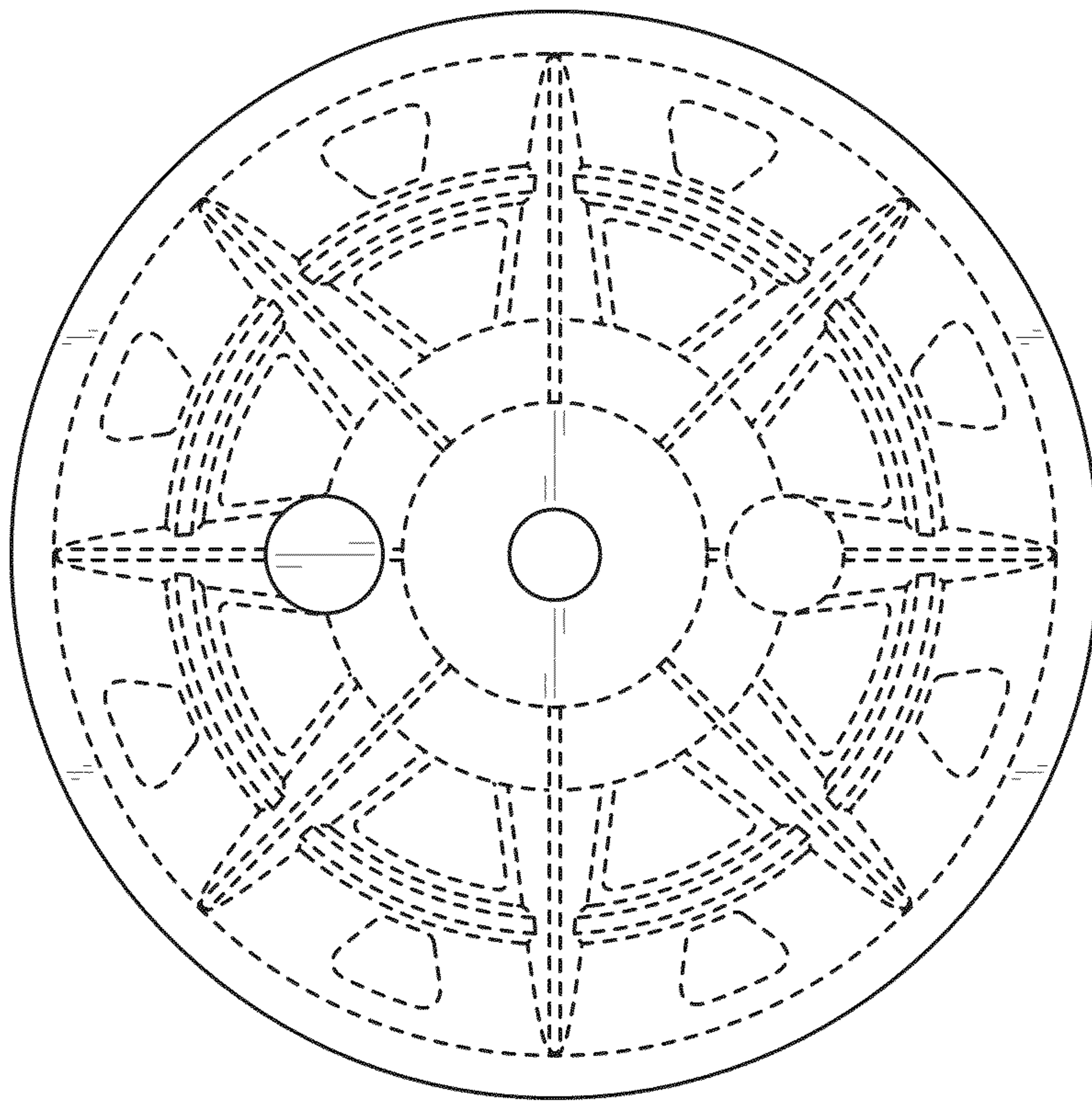


FIG. 4

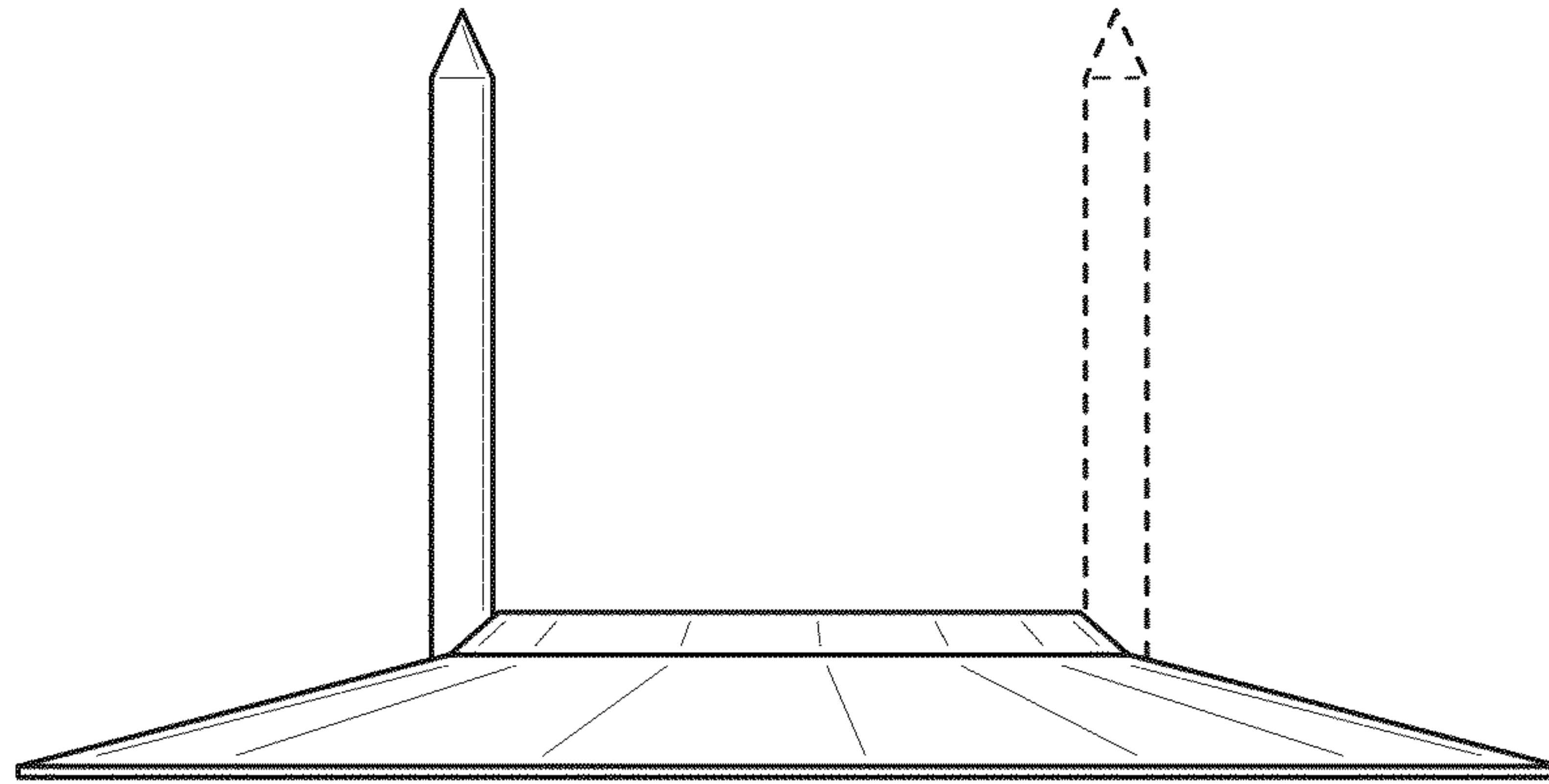


FIG. 5

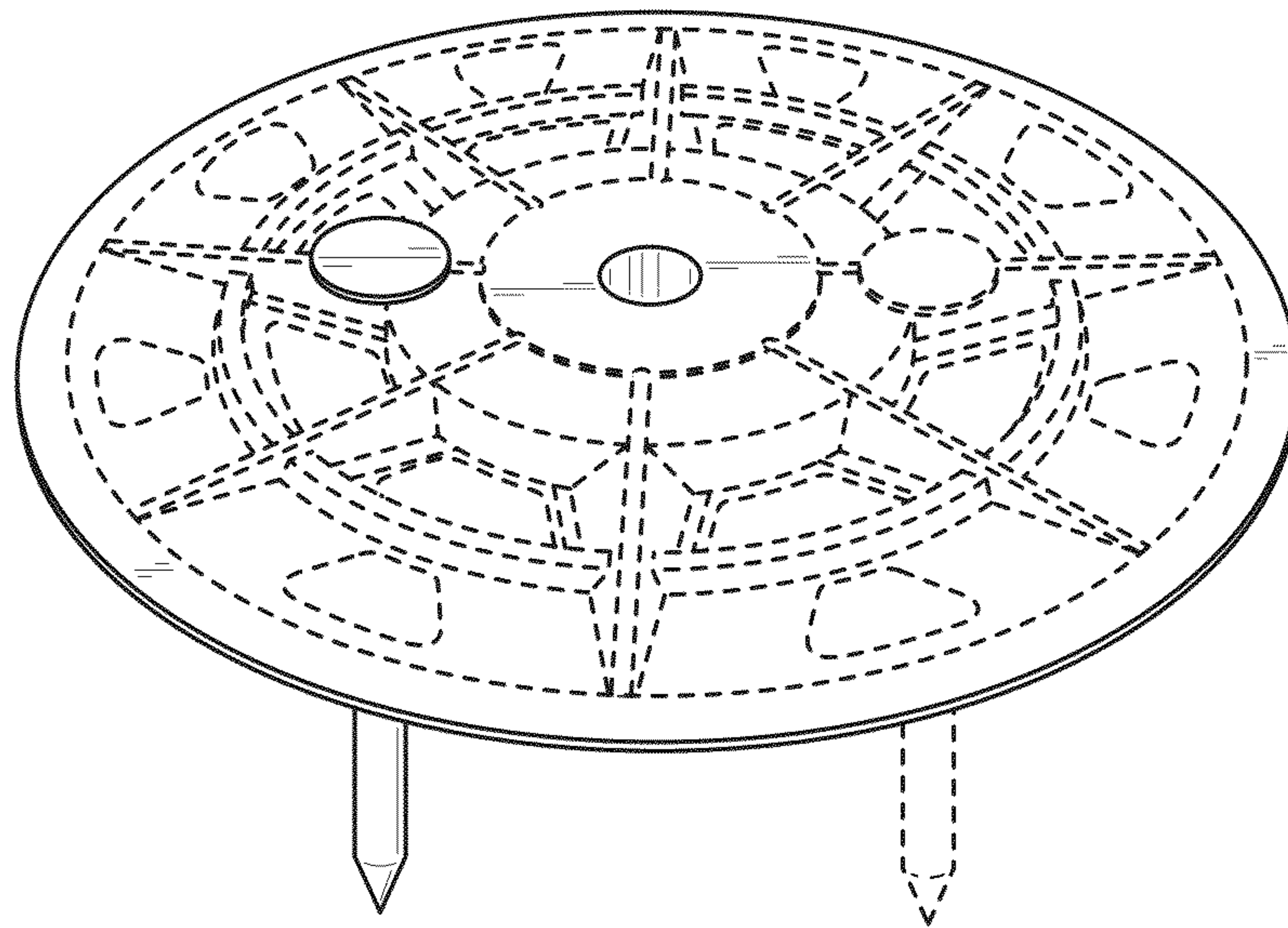


FIG. 6