

US00D755621S

(12) **United States Design Patent**  
**Madara et al.**

(10) **Patent No.:** **US D755,621 S**  
(45) **Date of Patent:** **\*\* May 10, 2016**

- (54) **PIPE COUPLING SEGMENT**
- (71) Applicant: **Victaulic Company**, Easton, PA (US)
- (72) Inventors: **Scott D Madara**, Nazareth, PA (US);  
**Charles E Wilk, Jr.**, Slatington, PA (US); **Anthony J Cuvo**, Coopersburg, PA (US); **Douglas R Dole**, Whitehouse Station, NJ (US)
- (73) Assignee: **Victaulic Company**, Easton, PA (US)
- (\*\*) Term: **14 Years**
- (21) Appl. No.: **29/467,976**
- (22) Filed: **Sep. 25, 2013**
- (51) **LOC (10) Cl.** ..... **08-08**
- (52) **U.S. Cl.**  
USPC ..... **D8/396; D23/262**
- (58) **Field of Classification Search**  
USPC ..... D23/262–266; D8/349, 394–396, 354,  
D8/355, 382; 285/1, 112, 179, 340, 367,  
285/404, 420; 403/300, 373; 248/65  
CPC ..... E03C 1/084; F16L 17/04; F16L 43/001;  
F16L 37/091; F16L 23/08; F16L 25/08;  
F16L 3/04; F16B 7/0426; F16B 31/021;  
F16B 31/028  
See application file for complete search history.

(56) **References Cited**

**U.S. PATENT DOCUMENTS**

3,680,894	A *	8/1972	Young	.....	285/112
4,186,947	A *	2/1980	Nixon	.....	285/112
D264,494	S *	5/1982	Chapa	.....	D23/259
D287,532	S *	12/1986	Jones et al.	.....	D23/265
D298,802	S *	12/1988	Tekirian	.....	D8/396
D339,975	S *	10/1993	Bird et al.	.....	D8/354
6,076,861	A *	6/2000	Ikeda	.....	285/112
6,170,884	B1 *	1/2001	McLennan et al.	.....	285/112
6,227,577	B1 *	5/2001	Ikeda et al.	.....	285/112

D558,307	S *	12/2007	Gibb et al.	.....	D23/265
D560,764	S *	1/2008	Gibb et al.	.....	D23/265
D570,458	S *	6/2008	Gibb et al.	.....	D23/262
D574,228	S *	8/2008	Johansson et al.	.....	D8/396
D583,444	S *	12/2008	Nagle et al.	.....	D23/262
D583,914	S *	12/2008	Pierce et al.	.....	D23/262
D583,916	S *	12/2008	Madara et al.	.....	D23/265
D587,347	S *	2/2009	Madara et al.	.....	D23/265
D587,348	S *	2/2009	Madara et al.	.....	D23/265
D587,349	S *	2/2009	Madara et al.	.....	D23/265
D590,923	S *	4/2009	Nagle et al.	.....	D23/262
D595,813	S *	7/2009	Pierce et al.	.....	D23/262
D595,814	S *	7/2009	Pierce et al.	.....	D23/262
D595,815	S *	7/2009	Pierce et al.	.....	D23/262
D597,635	S *	8/2009	Dole	.....	D23/262
D598,076	S *	8/2009	Dole	.....	D23/262
D598,077	S *	8/2009	Gibb et al.	.....	D23/265
D600,325	S *	9/2009	Porter et al.	.....	D23/262

(Continued)

*Primary Examiner* — John Windmuller  
*Assistant Examiner* — Steven Czyz  
(74) *Attorney, Agent, or Firm* — Ballard Spahr LLP

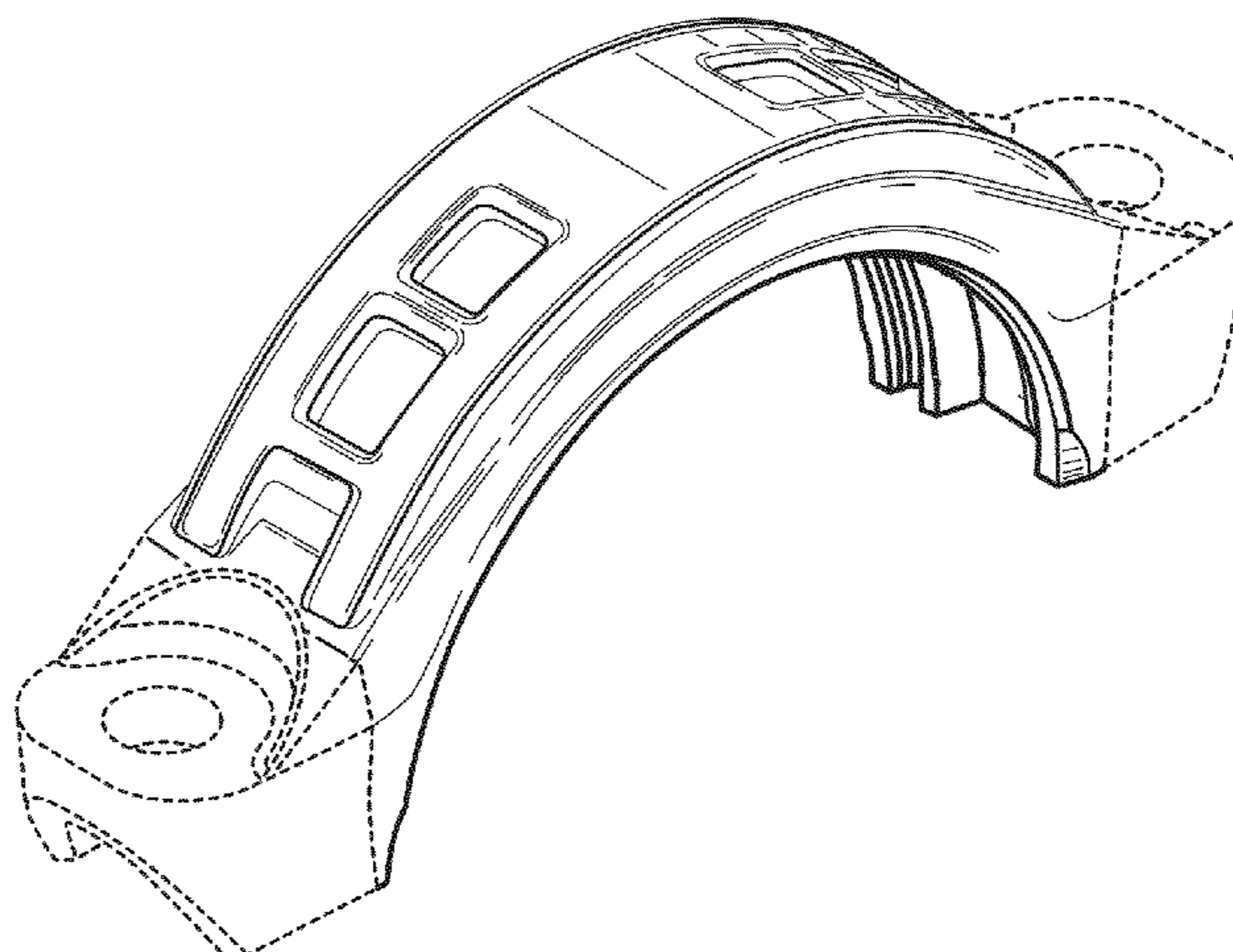
(57) **CLAIM**

We claim the ornamental design for a pipe coupling segment, as shown and described.

**DESCRIPTION**

FIG. 1 is an isometric view of a design of a pipe coupling segment according to our invention; FIG. 2 is a left side view of the pipe coupling segment shown in FIG. 1, the right side view being a mirror image thereof; FIG. 3 is a top view of the pipe coupling segment shown in FIG. 1; FIG. 4 is a bottom view of the pipe coupling segment shown in FIG. 1; and, FIG. 5 is a left end view of the pipe coupling segment shown in FIG. 1, the right end view being identical. The broken lines depict portions of the article that form no part of the claimed design.

**1 Claim, 2 Drawing Sheets**



(56)

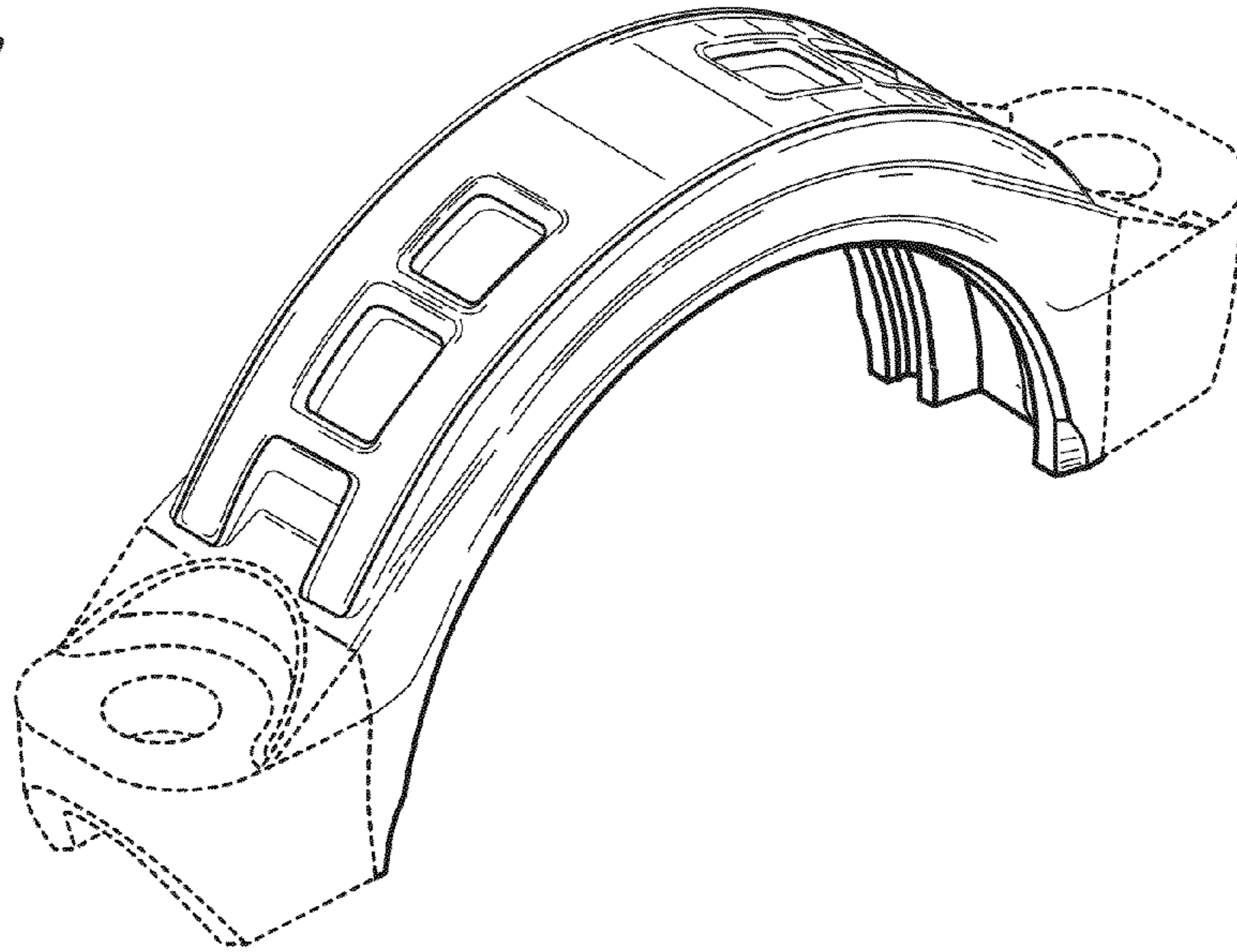
References Cited

U.S. PATENT DOCUMENTS

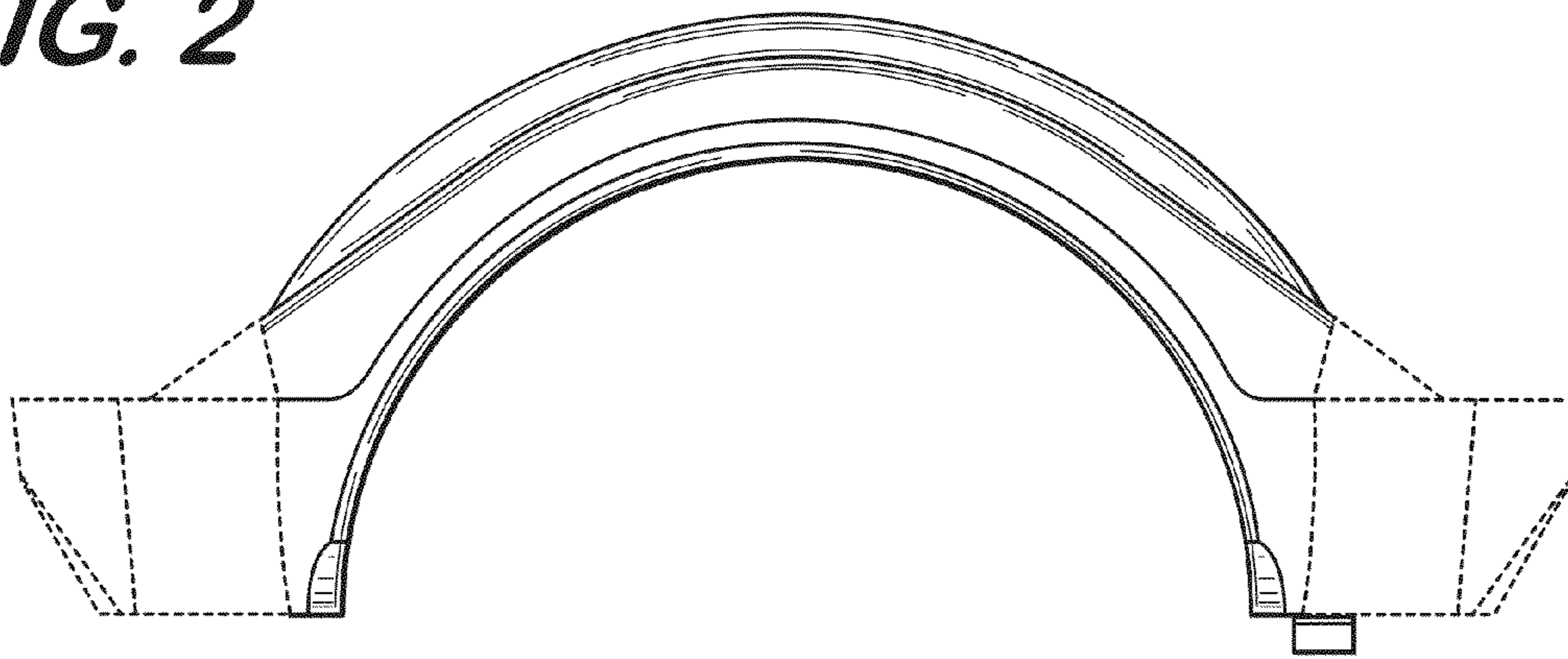
D600,326	S	*	9/2009	Gibb et al.	.....	D23/265
D600,784	S	*	9/2009	Henry et al.	.....	D23/262
D602,127	S	*	10/2009	Shah et al.	.....	D23/262
D605,734	S	*	12/2009	Henry et al.	.....	D23/262
D605,735	S	*	12/2009	Shah et al.	.....	D23/262
D607,548	S	*	1/2010	Shah et al.	.....	D23/262
D607,549	S	*	1/2010	Shah et al.	.....	D23/262
D608,865	S	*	1/2010	Henry et al.	.....	D23/262
D608,866	S	*	1/2010	Henry et al.	.....	D23/262
D608,867	S	*	1/2010	Henry et al.	.....	D23/262
D608,868	S	*	1/2010	Porter et al.	.....	D23/262
D608,869	S	*	1/2010	Porter et al.	.....	D23/262
D608,872	S	*	1/2010	Porter et al.	.....	D23/262
D608,873	S	*	1/2010	Porter et al.	.....	D23/262
D609,312	S	*	2/2010	Porter et al.	.....	D23/262
D611,126	S	*	3/2010	Porter et al.	.....	D23/262
D612,461	S	*	3/2010	Henry et al.	.....	D23/262
D612,462	S	*	3/2010	Shah et al.	.....	D23/262
D612,463	S	*	3/2010	Shah et al.	.....	D23/262
D613,377	S	*	4/2010	Shah et al.	.....	D23/262
D614,269	S	*	4/2010	Henry et al.	.....	D23/262
D616,072	S	*	5/2010	Henry et al.	.....	D23/262
D616,532	S	*	5/2010	Madara et al.	.....	D23/262
D616,967	S	*	6/2010	Madara et al.	.....	D23/262
D618,312	S	*	6/2010	Madara et al.	.....	D23/262
D618,313	S	*	6/2010	Madara et al.	.....	D23/262
D618,314	S	*	6/2010	Bowman et al.	.....	D23/262
D618,315	S	*	6/2010	Bowman et al.	.....	D23/262
D621,482	S	*	8/2010	Porter et al.	.....	D23/262
D621,483	S	*	8/2010	Shah et al.	.....	D23/262
D621,916	S	*	8/2010	Porter et al.	.....	D23/262
D621,917	S	*	8/2010	Madara et al.	.....	D23/262
D625,783	S	*	10/2010	Madara	.....	D23/262
D625,784	S	*	10/2010	Bowman et al.	.....	D23/262
D625,785	S	*	10/2010	Madara et al.	.....	D23/262
D625,786	S	*	10/2010	Bowman et al.	.....	D23/262
D625,787	S	*	10/2010	Bowman et al.	.....	D23/262
D625,788	S	*	10/2010	Madara et al.	.....	D23/262
D626,201	S	*	10/2010	Madara et al.	.....	D23/262
D626,202	S	*	10/2010	Porter et al.	.....	D23/262
D628,680	S	*	12/2010	Dole et al.	.....	D23/262
D629,072	S	*	12/2010	Madara et al.	.....	D23/262
D629,073	S	*	12/2010	Madara et al.	.....	D23/262
D629,074	S	*	12/2010	Shah et al.	.....	D23/262
D629,075	S	*	12/2010	Madara	.....	D23/262
D629,076	S	*	12/2010	Madara et al.	.....	D23/262
D629,077	S	*	12/2010	Porter et al.	.....	D23/262
D629,078	S	*	12/2010	Dole et al.	.....	D23/262
D629,079	S	*	12/2010	Dole et al.	.....	D23/262
D629,080	S	*	12/2010	Dole et al.	.....	D23/262
D629,081	S	*	12/2010	Dole et al.	.....	D23/262
D629,082	S	*	12/2010	Dole et al.	.....	D23/262
D629,083	S	*	12/2010	Dole et al.	.....	D23/262
D629,084	S	*	12/2010	Dole et al.	.....	D23/262
D629,496	S	*	12/2010	Madara et al.	.....	D23/262
D629,497	S	*	12/2010	Shah et al.	.....	D23/262
D633,600	S	*	3/2011	Madara	.....	D23/262
D634,817	S	*	3/2011	Madara et al.	.....	D23/262
D636,469	S	*	4/2011	Dole et al.	.....	D23/262
D636,470	S	*	4/2011	Dole et al.	.....	D23/262
D636,471	S	*	4/2011	Dole et al.	.....	D23/262
D636,854	S	*	4/2011	Dole et al.	.....	D23/262
7,988,207	B2	*	8/2011	Dole et al.	.....	285/367
D651,290	S	*	12/2011	Shah et al.	.....	D23/262
D665,056	S	*	8/2012	Cuvo et al.	.....	D23/262
D665,057	S	*	8/2012	Madara et al.	.....	D23/262
D665,058	S	*	8/2012	Cuvo et al.	.....	D23/262
D665,059	S	*	8/2012	Madara et al.	.....	D23/262
D665,060	S	*	8/2012	Wilk et al.	.....	D23/262
D665,061	S	*	8/2012	Dole et al.	.....	D23/262
D665,888	S	*	8/2012	Wilk et al.	.....	D23/262
D665,889	S	*	8/2012	Dole et al.	.....	D23/262
D672,849	S	*	12/2012	Madara et al.	.....	D23/262
D673,248	S	*	12/2012	Dole et al.	.....	D23/262
D674,059	S	*	1/2013	Cuvo et al.	.....	D23/262
D674,060	S	*	1/2013	Wilk et al.	.....	D23/262
D674,061	S	*	1/2013	Cuvo et al.	.....	D23/262
D674,062	S	*	1/2013	Madara et al.	.....	D23/262
D674,063	S	*	1/2013	Wilk et al.	.....	D23/262
D674,064	S	*	1/2013	Dole et al.	.....	D23/262
8,556,302	B2	*	10/2013	Dole	.....	285/367
2005/0242585	A1	*	11/2005	Dole et al.	.....	285/367
2009/0146417	A1	*	6/2009	Lippka et al.	.....	285/112
2010/0102549	A1	*	4/2010	Radzik	.....	285/112

\* cited by examiner

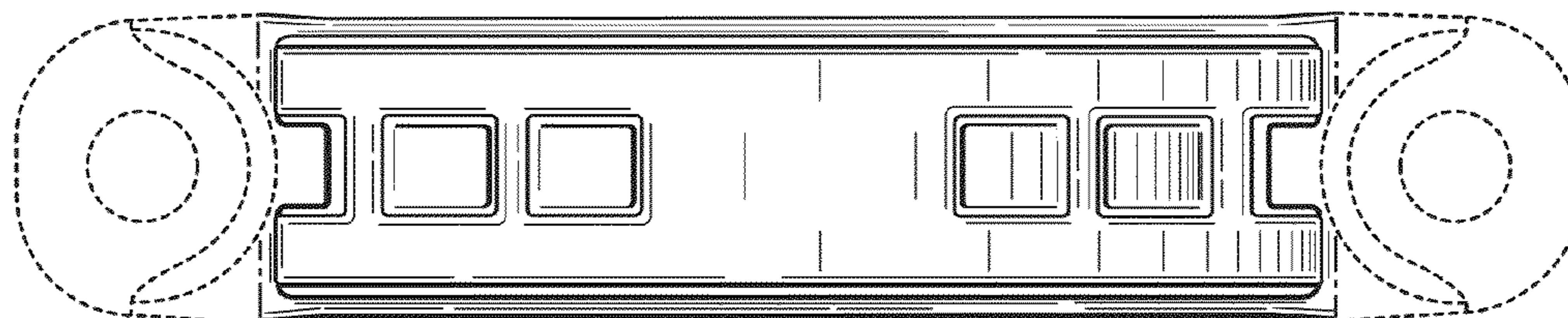
**FIG. 1**



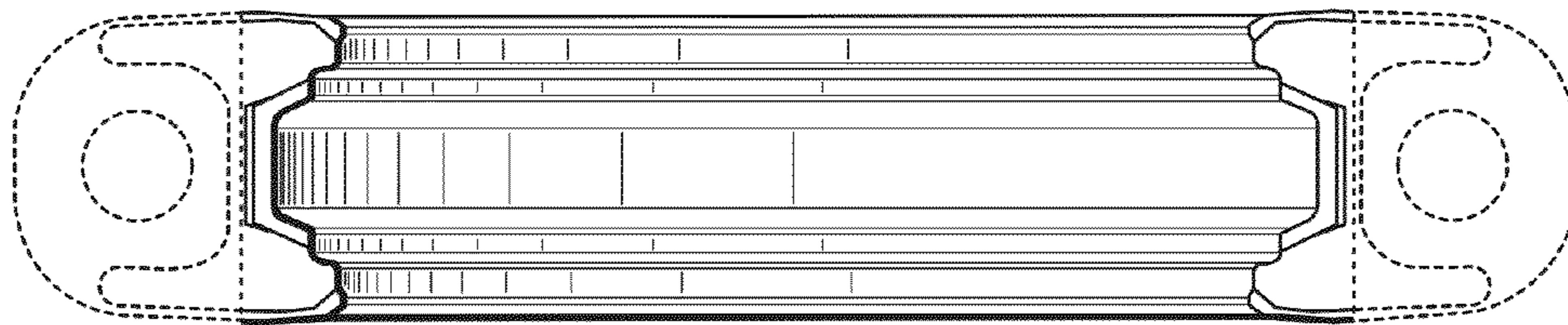
**FIG. 2**



**FIG. 3**



**FIG. 4**



**FIG. 5**

