



US00D755620S

(12) **United States Design Patent**  
**Li**

(10) **Patent No.:** **US D755,620 S**  
(45) **Date of Patent:** **\*\* May 10, 2016**

(54) **HEDGEHOG BAG CLIP**  
(71) Applicant: **Kikkerland Design, Inc.**, New York, NY  
(US)

D697,395 S \* 1/2014 Adams ..... D8/387  
D697,396 S \* 1/2014 Goodman ..... D8/395  
D700,412 S \* 2/2014 Loebach ..... D32/29.1  
D711,971 S \* 8/2014 Child ..... D21/428  
D740,139 S \* 10/2015 Li ..... D10/40

(72) Inventor: **Rachel Li**, New York, NY (US)  
(73) Assignee: **Kikkerland Design, Inc.**, New York, NY  
(US)

FOREIGN PATENT DOCUMENTS

EM 001930231-0001 \* 10/2011  
EM 001930231-0004 \* 10/2011

(\*\*) Term: **14 Years**

OTHER PUBLICATIONS

(21) Appl. No.: **29/510,445**

Buy Kikkerland® Design Woodlands Bag Clips (Set of 6) from Bed Bath & Beyond, review dates 2015, <http://www.bedbathandbeyond.com/1/1/277903-kikkerland-design-woodlands-bag-clips-set-of-6.html>, [site visited Dec. 19, 2015].\*

(22) Filed: **Nov. 27, 2014**

(51) **LOC (10) Cl.** ..... **08-08**

\* cited by examiner

(52) **U.S. Cl.**  
USPC ..... **D8/395**

*Primary Examiner* — John Windmuller  
*Assistant Examiner* — John R Yeh

(58) **Field of Classification Search**  
USPC ..... D8/71, 373, 354, 383, 394–396;  
D19/65, 68; D7/571, 573, 578, 708.1,  
D7/619.2, 702, 213

(74) *Attorney, Agent, or Firm* — Charles H. Jew

CPC ..... E04F 21/18; A47C 9/00; A47C 7/66;  
A47C 21/022; B65G 21/20; B65G 21/2072;  
B65G 7/12; A01K 97/10

(57) **CLAIM**  
The ornamental design for a hedgehog bag clip, as shown and described.

See application file for complete search history.

**DESCRIPTION**

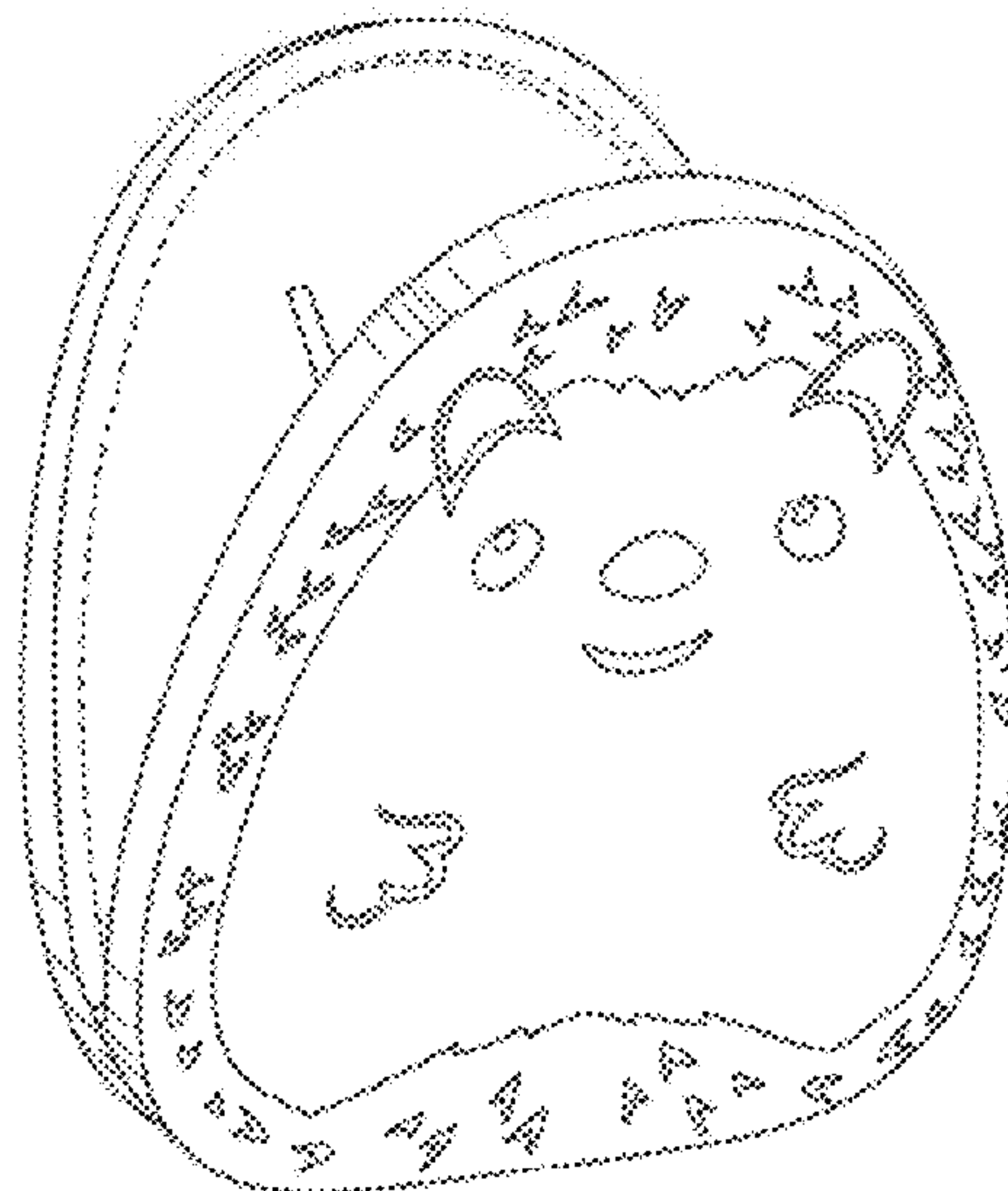
(56) **References Cited**

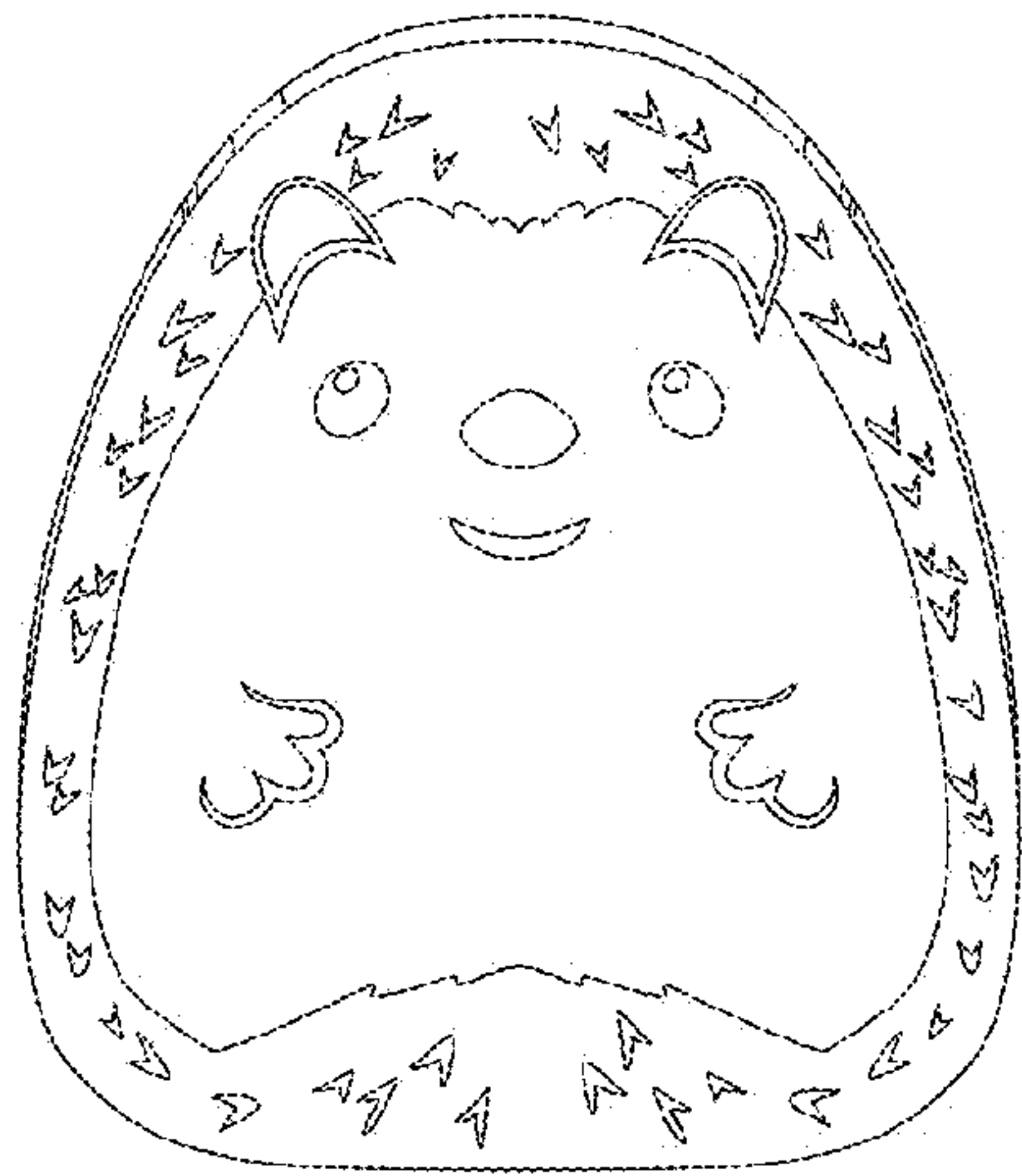
FIG. 1 is a front elevational view of the hedgehog bag clip showing my design;  
FIG. 2 is a rear elevational view thereof;  
FIG. 3 is a left side elevational view thereof;  
FIG. 4 is a right side elevational view thereof;  
FIG. 5 is a top plan view thereof;  
FIG. 6 is a bottom plan view thereof; and,  
FIG. 7 is a front perspective view thereof.  
The broken lines shown in FIGS. 6 and 7 depict portions of the hedgehog bag clip that form no part of the claimed design.

U.S. PATENT DOCUMENTS

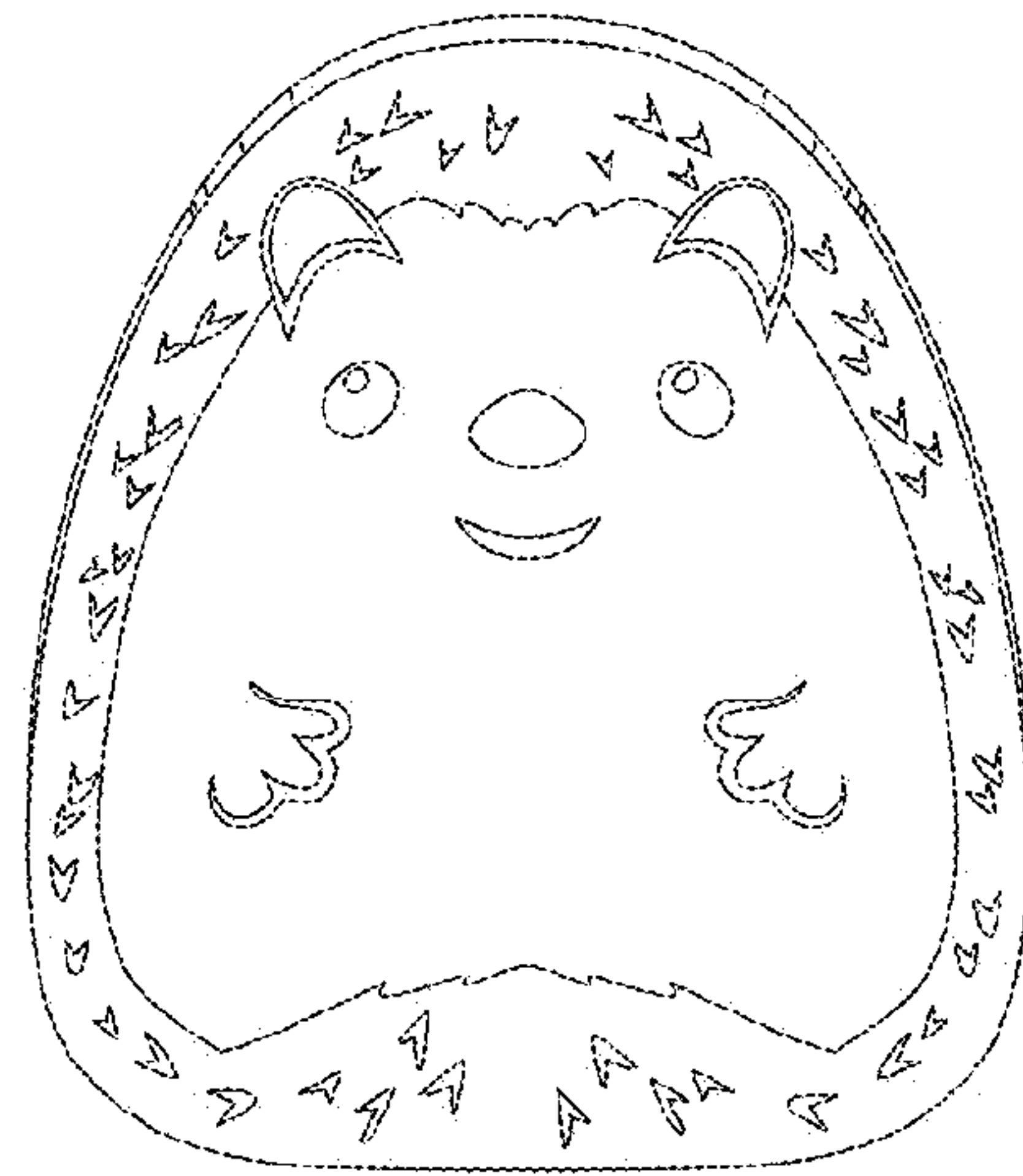
D287,610 S \* 1/1987 Nicholls ..... D21/588  
D406,168 S \* 2/1999 Wolff ..... D19/65  
D454,056 S \* 3/2002 Kung ..... D19/65  
D468,358 S \* 1/2003 Chen ..... D19/65  
D477,364 S \* 7/2003 Tsai ..... D19/65  
D493,487 S \* 7/2004 Nuttall ..... D19/65  
D671,823 S \* 12/2012 van der Lande ..... D8/395  
D671,824 S \* 12/2012 van der Lande ..... D8/395  
D671,825 S \* 12/2012 van der Lande ..... D8/395

**1 Claim, 2 Drawing Sheets**

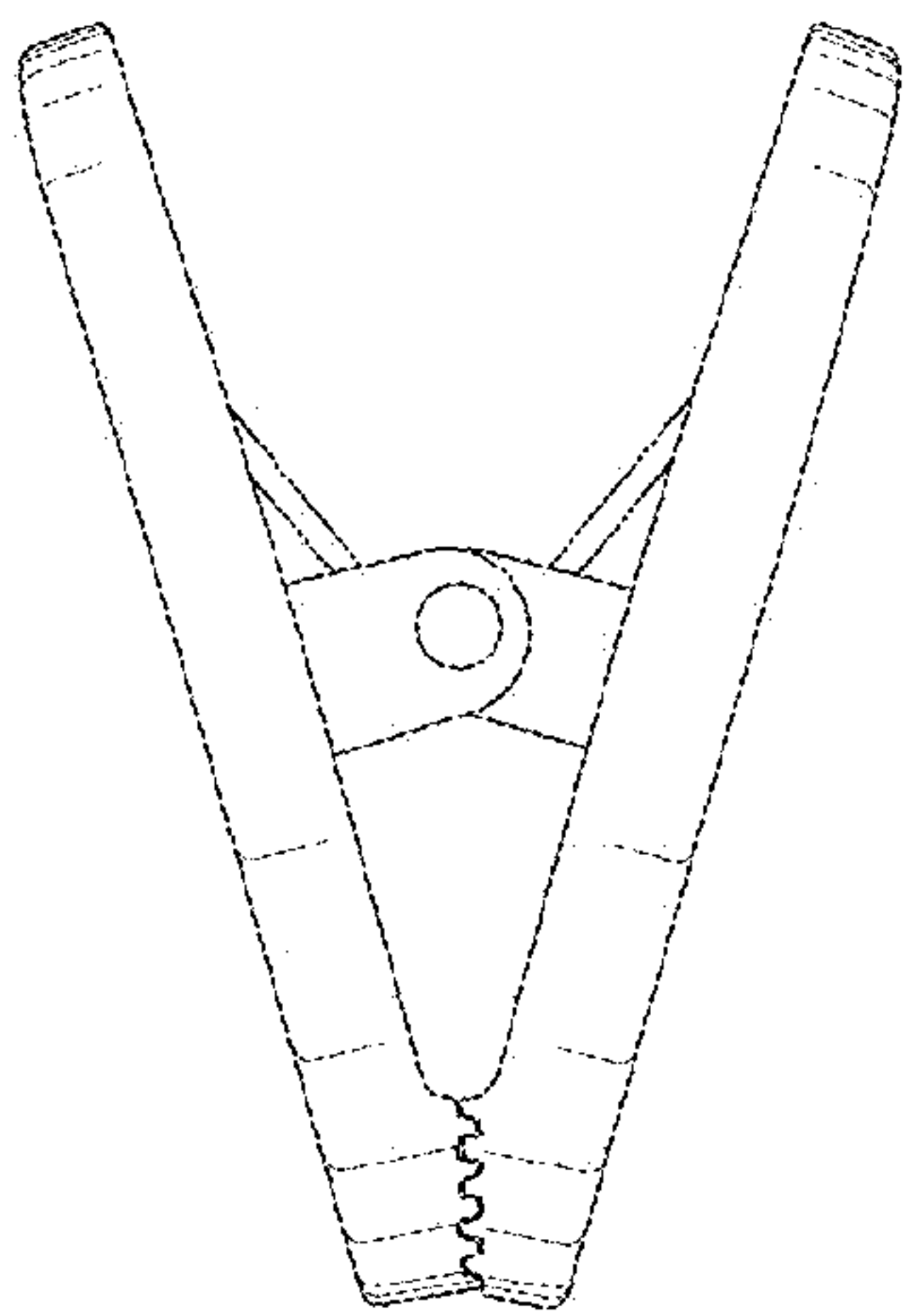




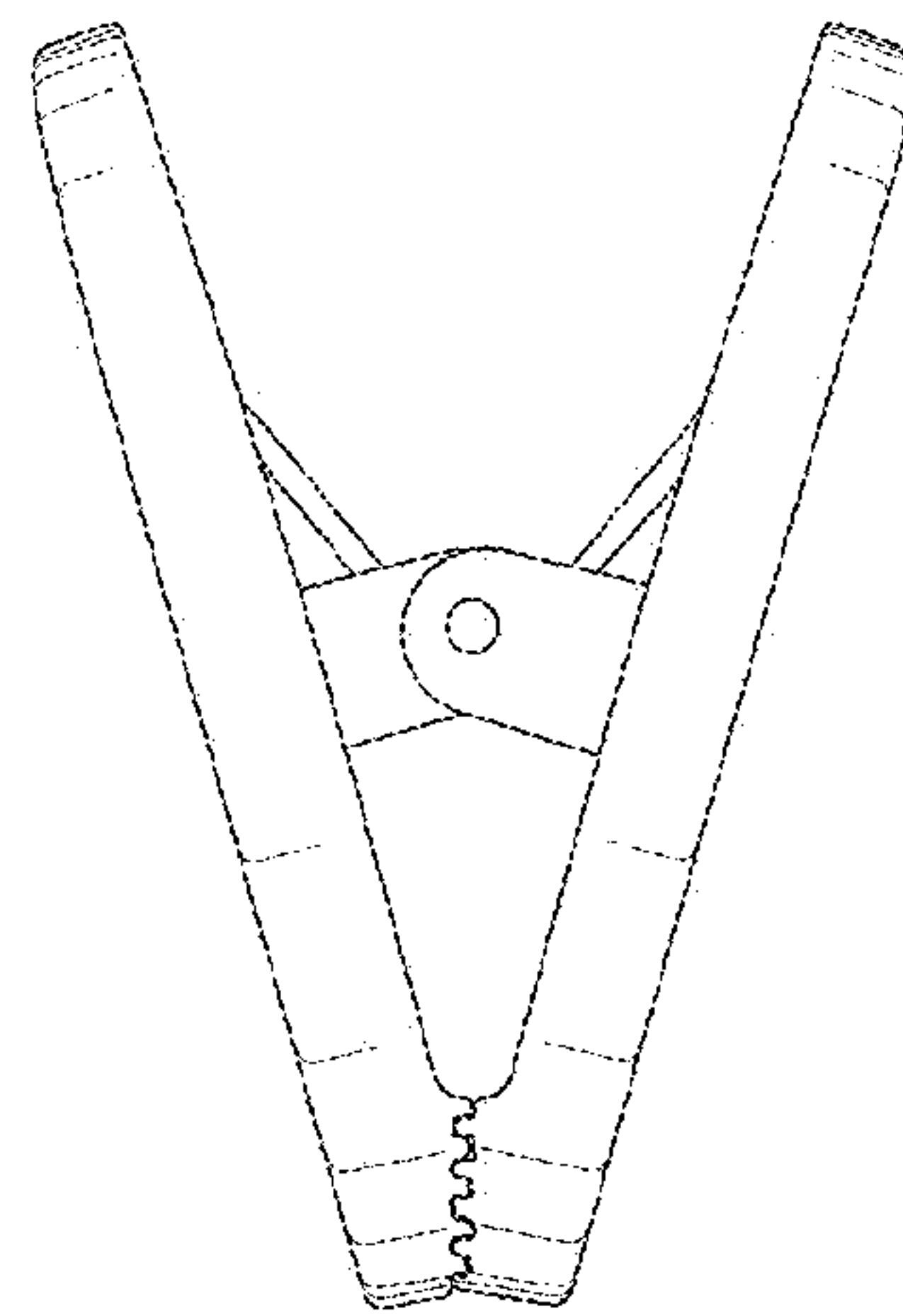
**FIG. 1**



**FIG. 2**



**FIG. 3**



**FIG. 4**

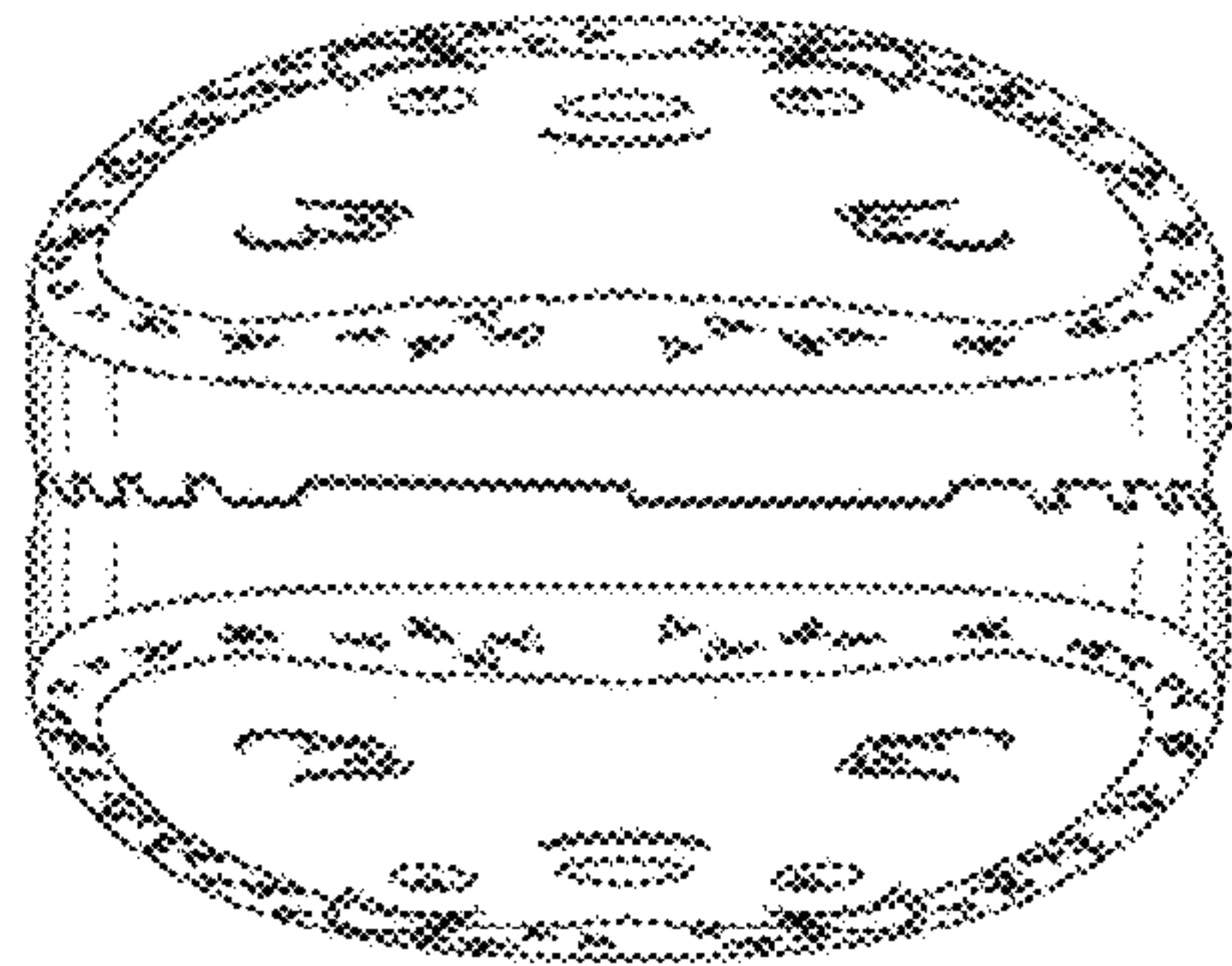


FIG. 5

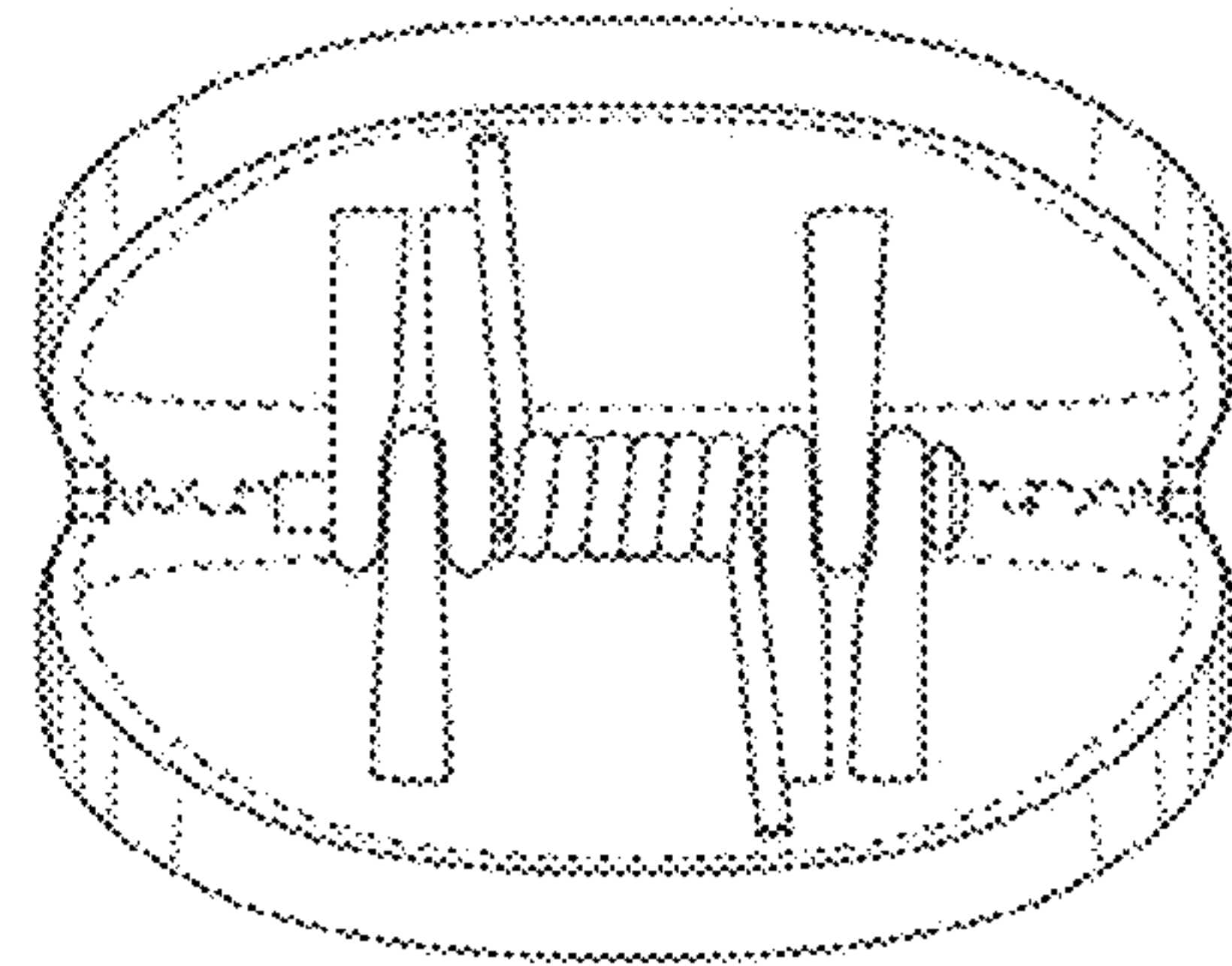


FIG. 6

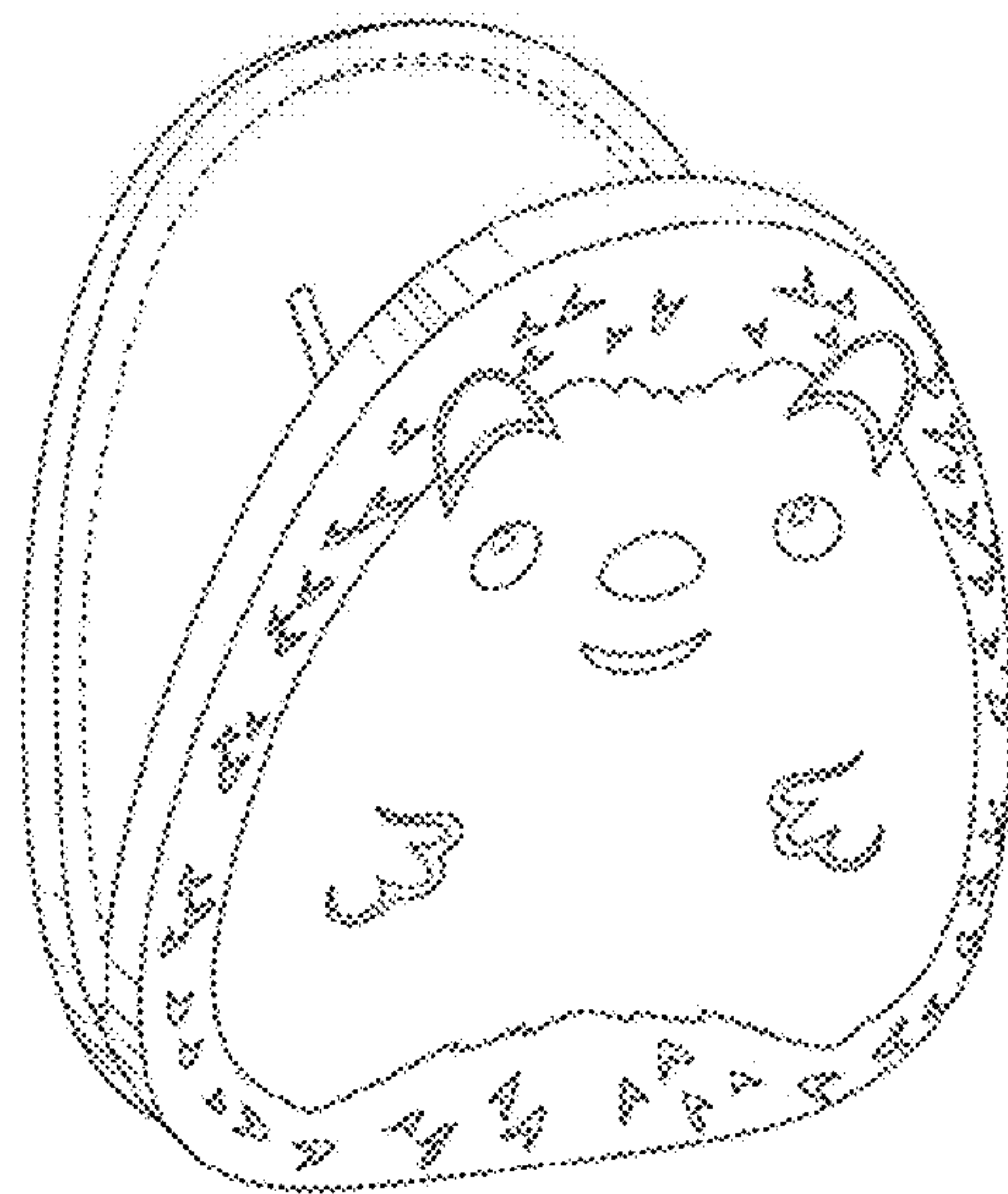


FIG. 7