

US00D755617S

(12) **United States Design Patent**
Matus, Jr.

(10) **Patent No.:** **US D755,617 S**
(45) **Date of Patent:** **** May 10, 2016**

- (54) **GLASS FASTENER**
- (71) Applicant: **Jose Orlando Matus, Jr.**, Gainesville, GA (US)
- (72) Inventor: **Jose Orlando Matus, Jr.**, Gainesville, GA (US)
- (**) Term: **14 Years**
- (21) Appl. No.: **29/502,497**
- (22) Filed: **Sep. 17, 2014**
- (51) **LOC (10) Cl.** **08-08**
- (52) **U.S. Cl.**
USPC **D8/382**
- (58) **Field of Classification Search**
USPC D8/300, 307, 321, 322, 354, 382, 399, D8/499
CPC E06B 3/66; E06B 3/60; E06B 3/58; E06B 3/54; E06B 3/5436; E06B 3/663; E06B 3/667; F16B 35/06; A44B 17/00; A47F 10/06; A47F 11/00; C03C 27/06; C03C 27/08
See application file for complete search history.

8,590,226 B2 * 11/2013 Stenvall 52/204.593
 D716,637 S * 11/2014 McDonald D8/354
 D720,198 S * 12/2014 Sabbag et al. D8/307

FOREIGN PATENT DOCUMENTS

DE 19725381 A1 * 1/1998 E06B 3/5436
 TW 436721 U * 9/2012 E06B 3/54

* cited by examiner

Primary Examiner — Sheryl Lane

Assistant Examiner — Ieisha Price

(74) *Attorney, Agent, or Firm* — Smith Tempel Blaha LLC; Matthew T. Hoots

(57) **CLAIM**

The ornamental design for a glass fastener, as shown and described.

DESCRIPTION

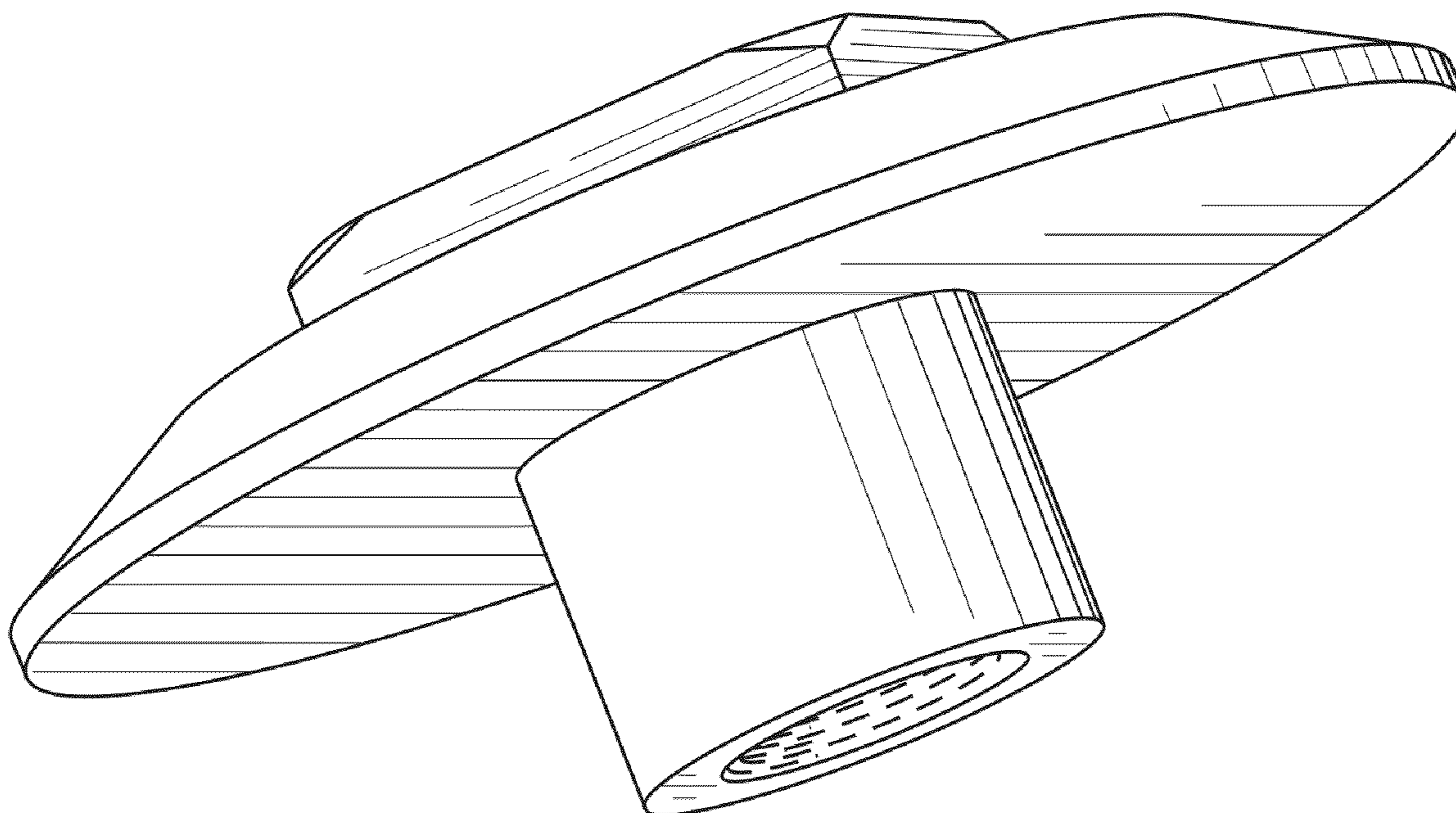
FIG. 1 is a perspective top view of my new ornamental design for a glass fastener;
 FIG. 2 is a perspective bottom view of the glass fastener shown in FIG. 1;
 FIG. 3 is a top view of the glass fastener shown in FIG. 1;
 FIG. 4 is a bottom view of the glass fastener shown in FIG. 1; and,
 FIG. 5 is a side view of the glass fastener shown in FIG. 1. The side view depicts the glass fastener from any side. The broken lines in the drawings illustrate portions of the glass fastener and form no part of the claimed design.

1 Claim, 3 Drawing Sheets

(56) **References Cited**

U.S. PATENT DOCUMENTS

D530,185 S * 10/2006 Osiecki et al. D8/343
 D579,303 S * 10/2008 Schneider D8/307
 7,555,818 B2 * 7/2009 Erskine et al. 24/305
 D631,336 S * 1/2011 Toumei D8/399
 D674,273 S * 1/2013 Yogev D8/382



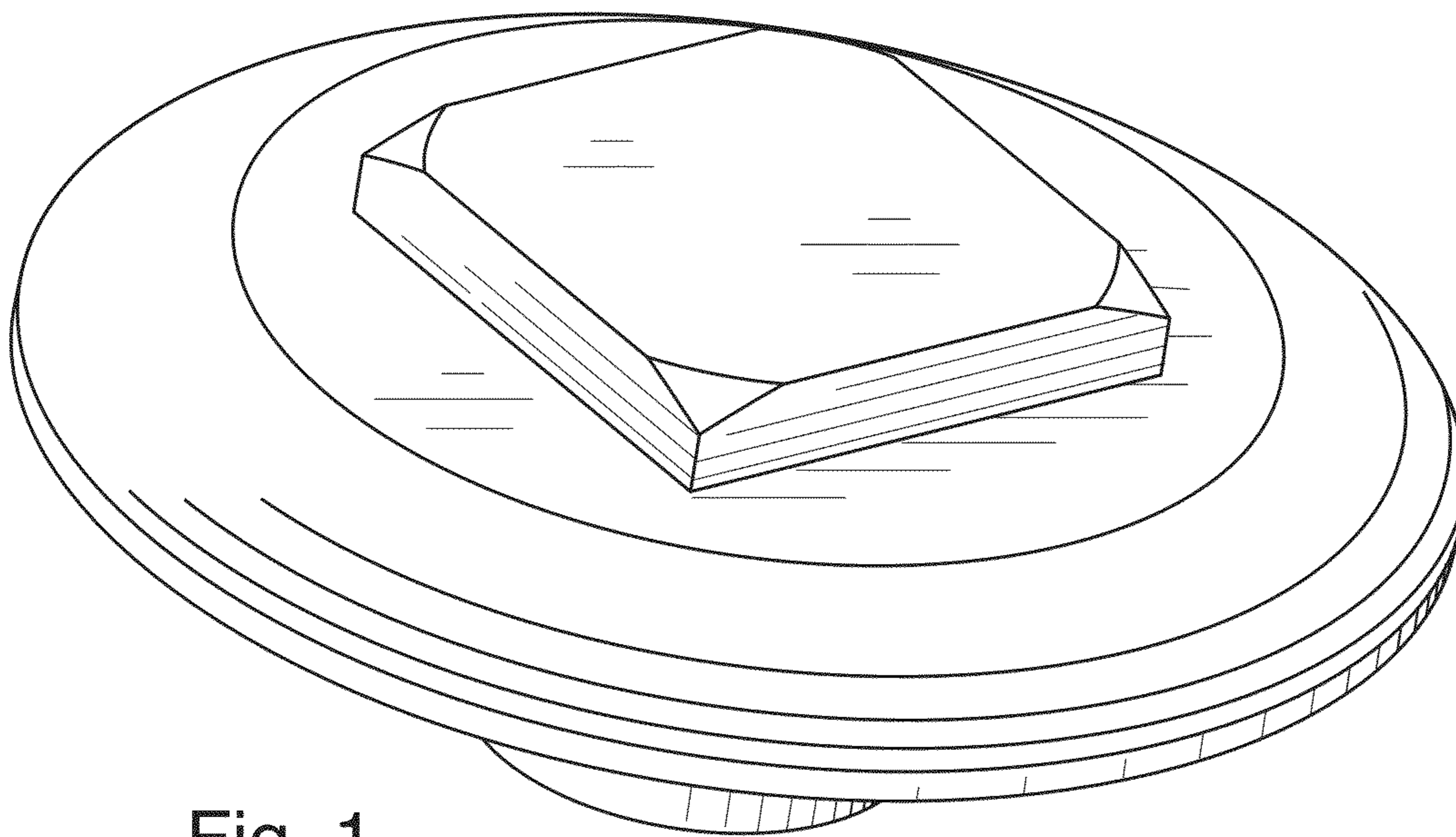


Fig. 1

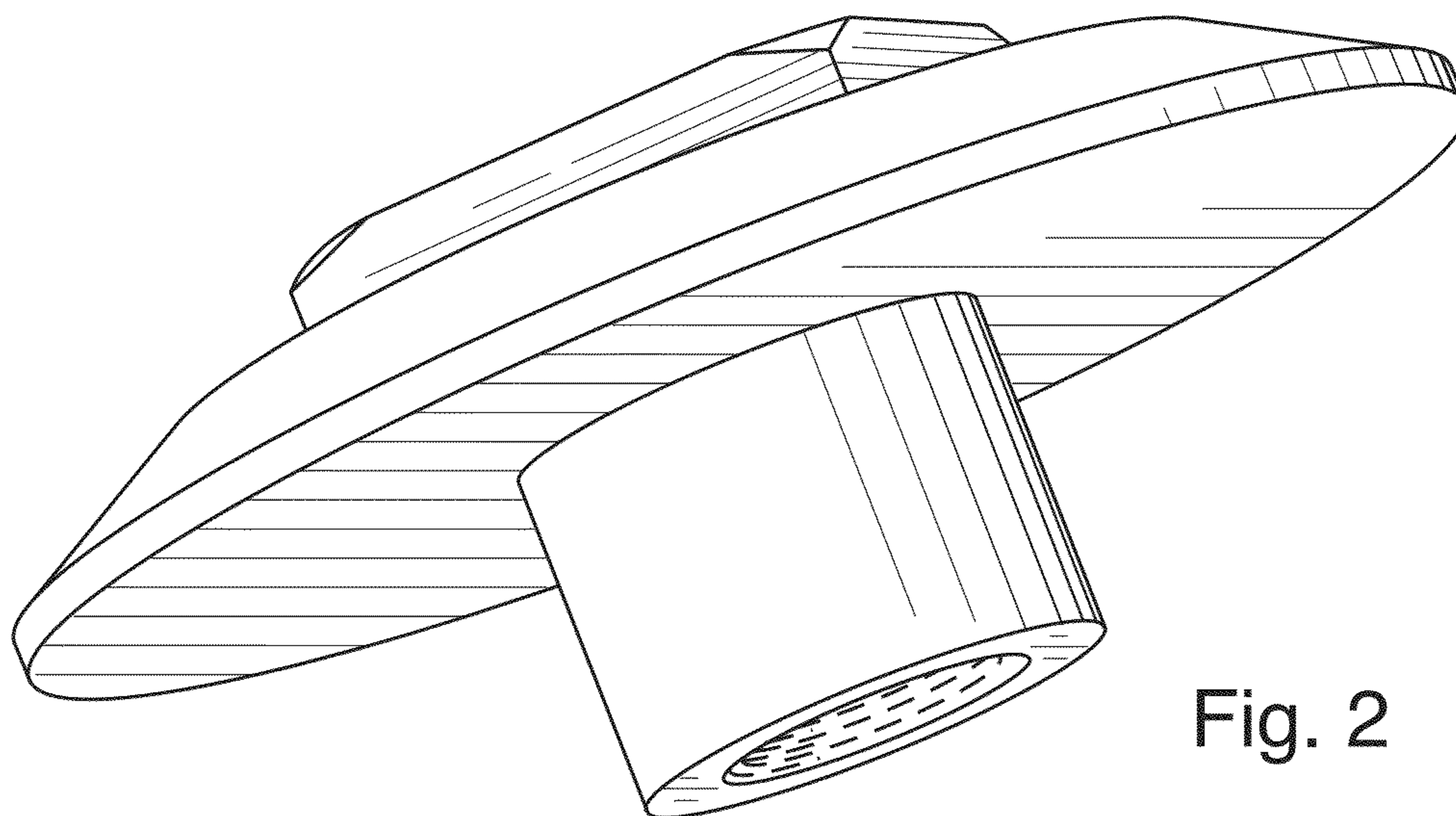


Fig. 2

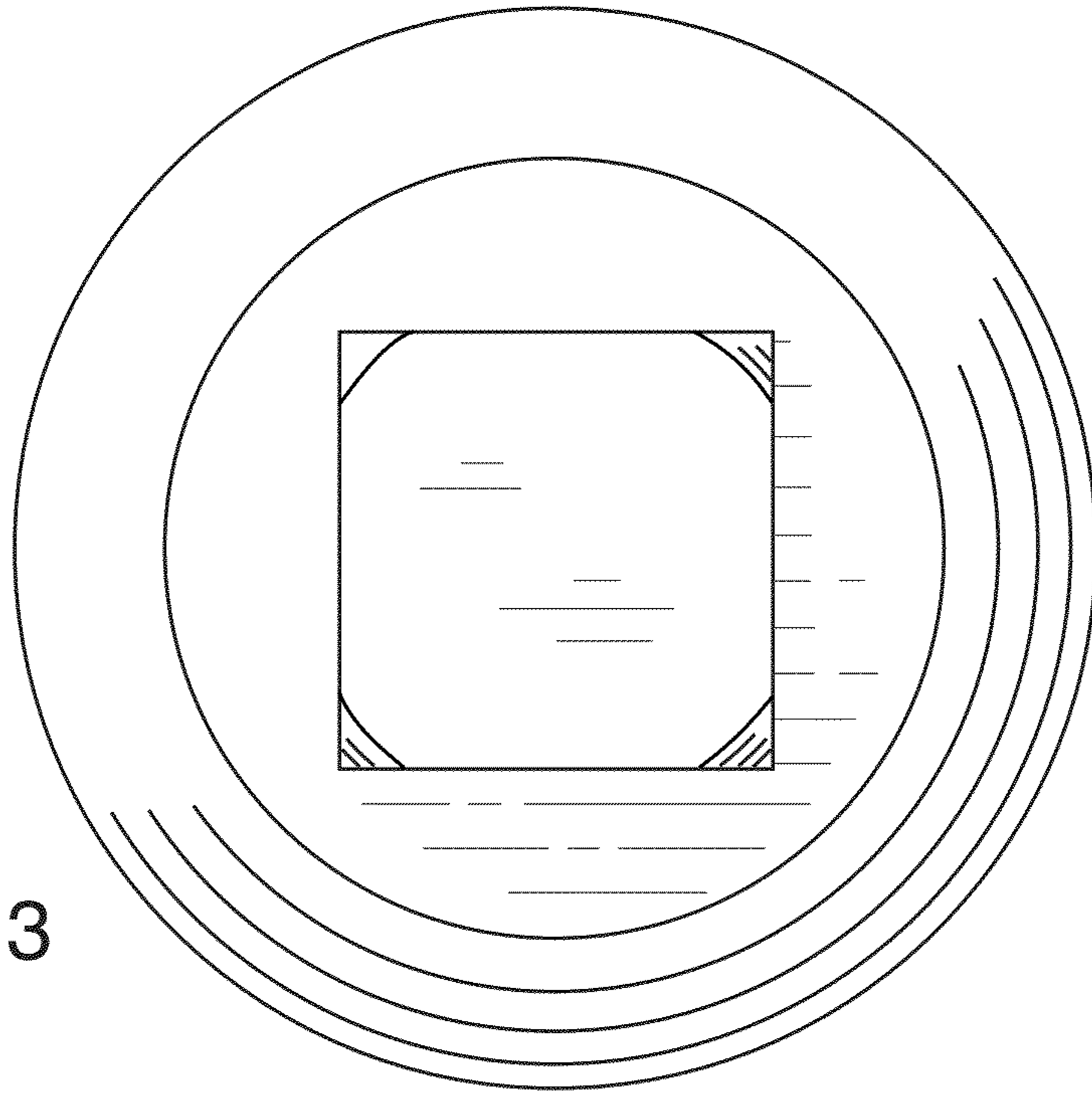


Fig. 3



Fig. 4

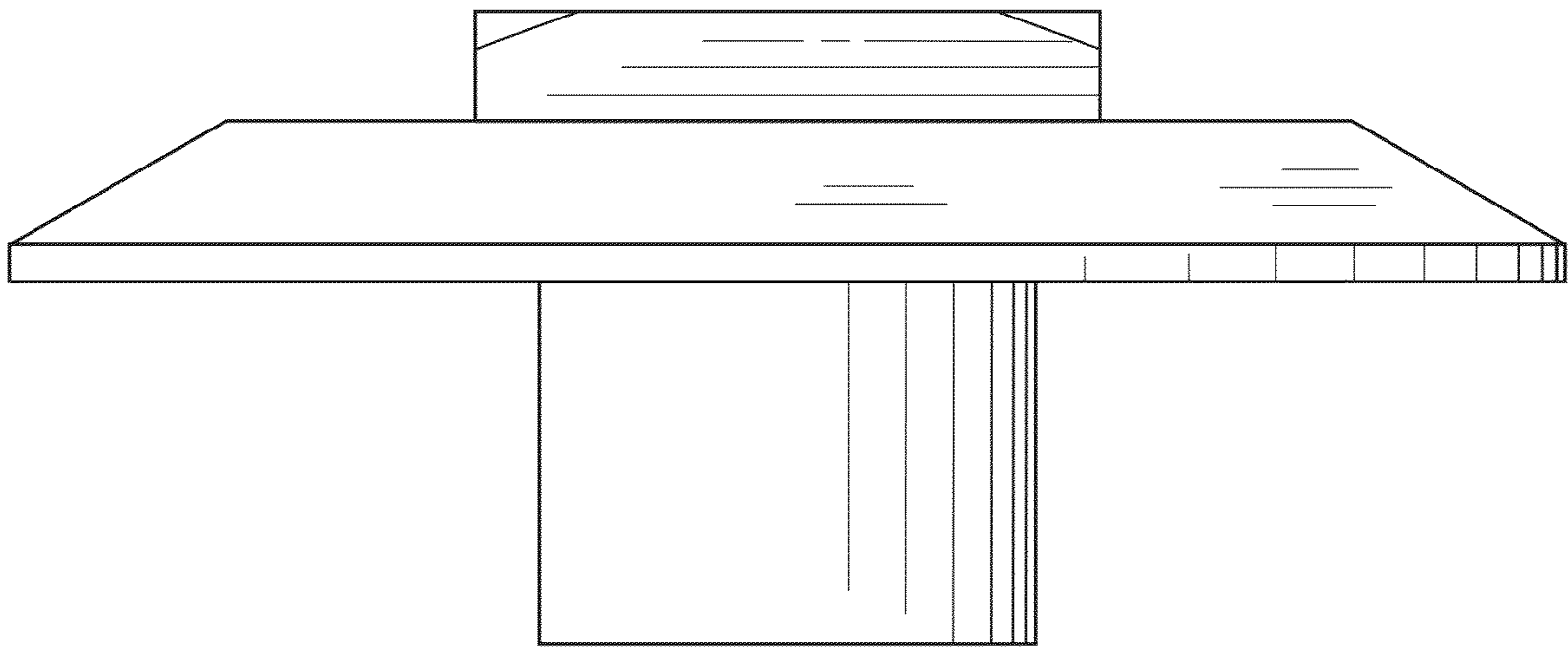


Fig. 5