



US00D755616S

(12) **United States Design Patent**
Fleck

(10) **Patent No.:** **US D755,616 S**

(45) **Date of Patent:** **** May 10, 2016**

(54) **PEG FOR A HOOK**

(71) Applicant: **John E. Fleck**, Cave Creek, AZ (US)

(72) Inventor: **John E. Fleck**, Cave Creek, AZ (US)

(**) Term: **14 Years**

(21) Appl. No.: **29/525,152**

(22) Filed: **Apr. 27, 2015**

(51) **LOC (10) Cl.** **08-05**

(52) **U.S. Cl.**
USPC **D8/373**

(58) **Field of Classification Search**
USPC D8/16, 17, 18, 19, 20, 26, 35, 363, 366,
D8/367, 370-377, 380-382, 4
CPC F16B 12/24; F16B 15/02; F16B 15/04;
F16B 15/06; F16B 35/06; F16B 21/02;
F16B 12/10; A47F 5/0823; A47F 5/11;
B43M 15/00; Y10T 24/44; Y10T 24/44009;
Y10T 24/44017; Y10T 24/44026
See application file for complete search history.

(56) **References Cited**

U.S. PATENT DOCUMENTS

D131,978 S * 4/1942 Silverman D8/367
4,434,960 A * 3/1984 Berry A47F 5/0815
248/220.43
D291,278 S * 8/1987 Hill 174/138 D

D296,298 S * 6/1988 Hill 174/138 D
D332,047 S * 12/1992 Kluk D8/367
D352,653 S * 11/1994 Keddie D8/367
D354,675 S * 1/1995 Bannister D8/367
D355,112 S * 2/1995 Richeson D8/367
D378,050 S * 2/1997 Richeson D8/367
2015/0117979 A1 * 4/2015 Anderson G06F 1/00
411/378

* cited by examiner

Primary Examiner — Robert M Spear

Assistant Examiner — Eliza Bennett-Hattan

(74) *Attorney, Agent, or Firm* — Thomas W. Galvani, P.C.;
Thomas W. Galvani

(57) **CLAIM**

The ornamental design for a peg for a hook, as shown and described.

DESCRIPTION

FIG. 1 is a rear elevation view of a peg for a hook shown in accordance with my new design;
FIG. 2 is a left side elevation view thereof;
FIG. 3 is a front elevation view thereof;
FIG. 4 is a right side elevation view thereof;
FIG. 5 is a top plan view thereof;
FIG. 6 is a bottom plan view thereof; and,
FIG. 7 is a rear perspective view thereof.
The features shown in broken lines form no part of the claimed design.

1 Claim, 4 Drawing Sheets

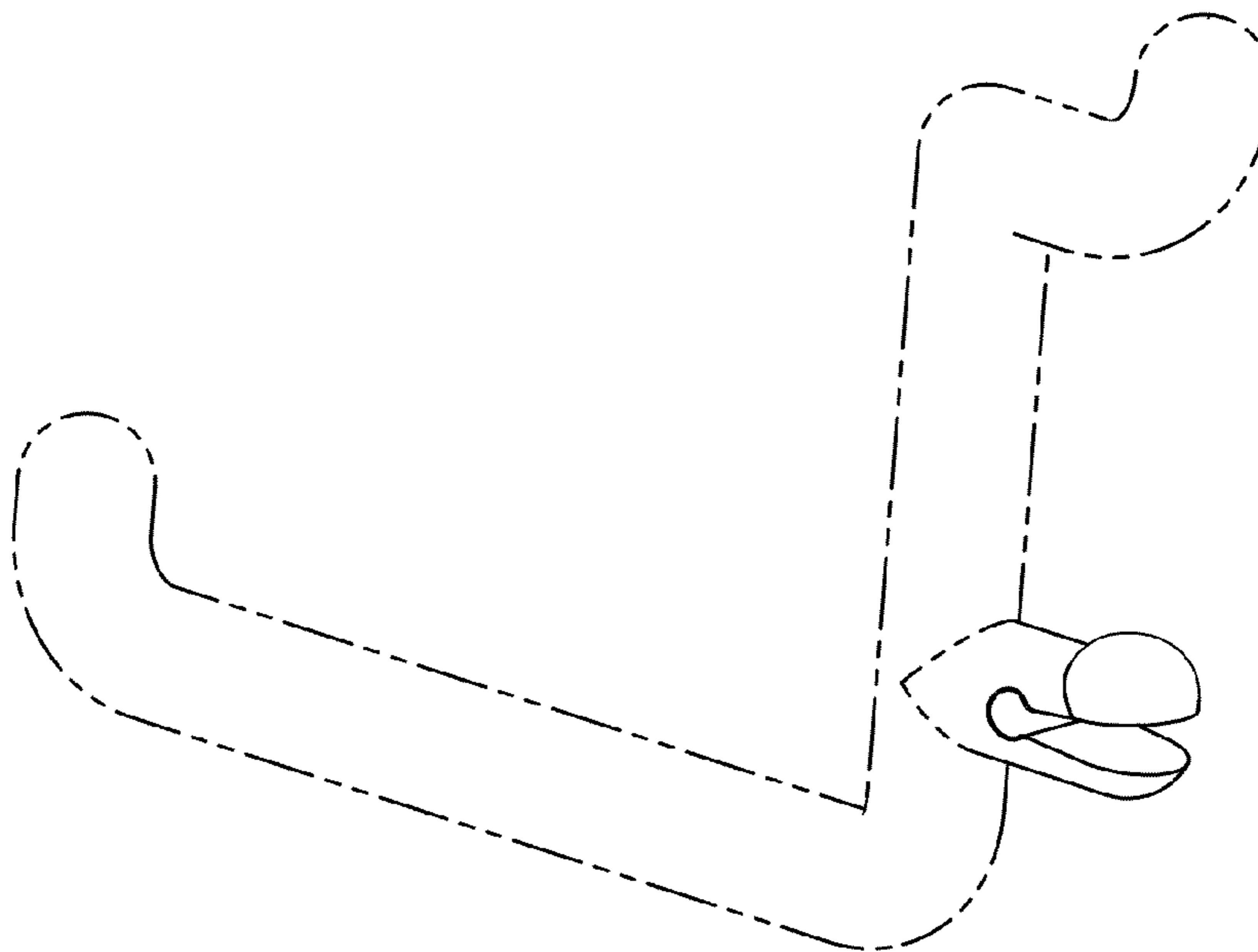




Fig. 1

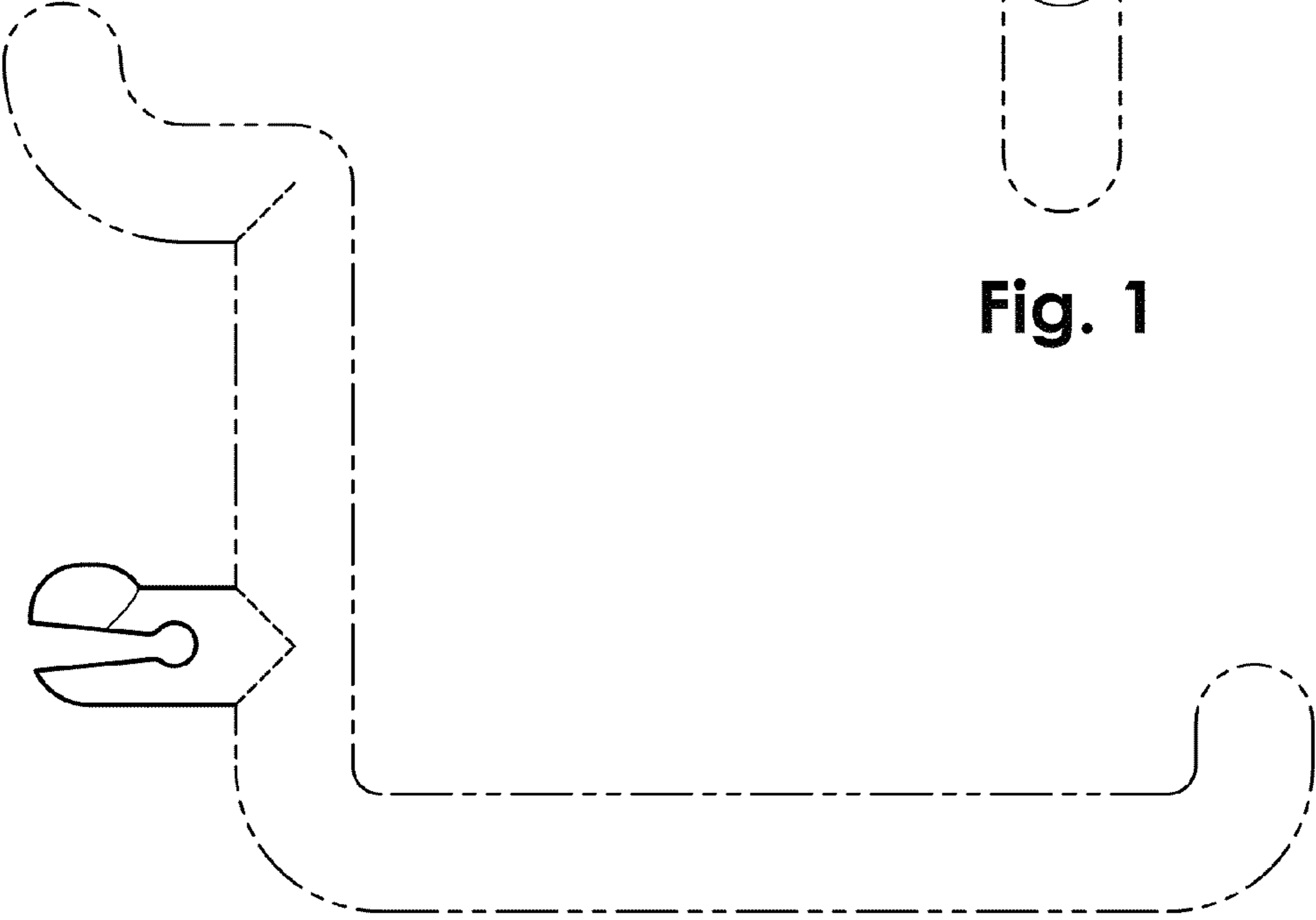


Fig. 2



Fig. 3

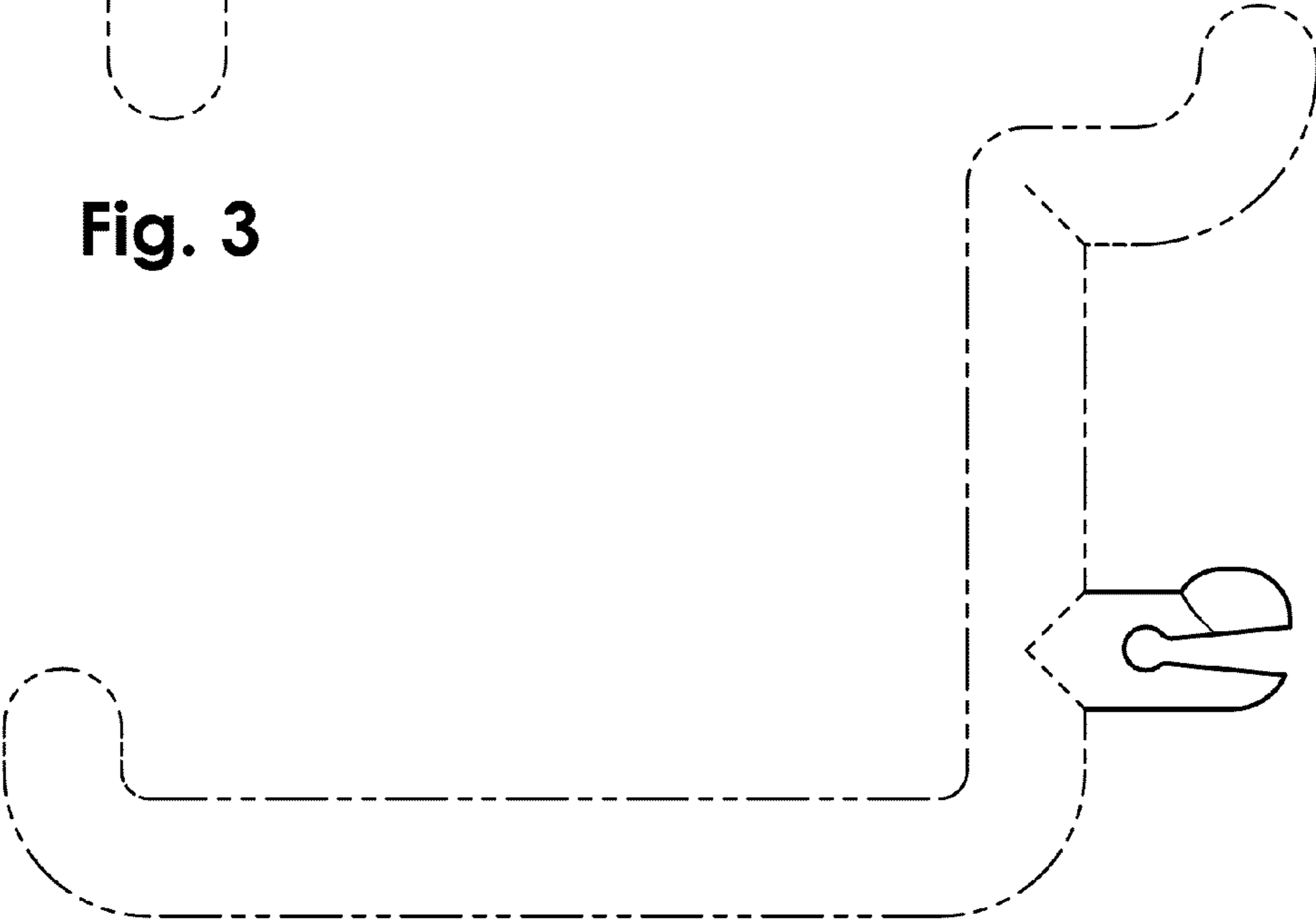


Fig. 4

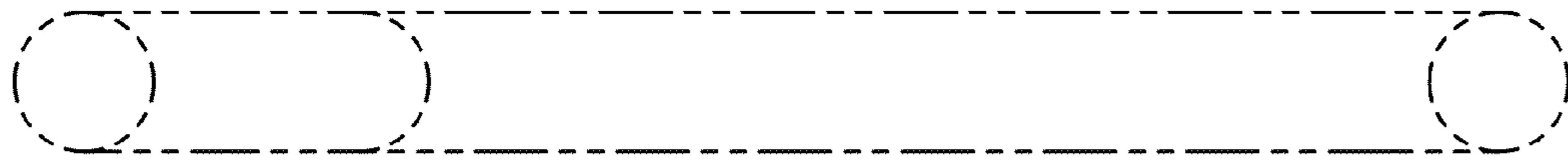


Fig. 5

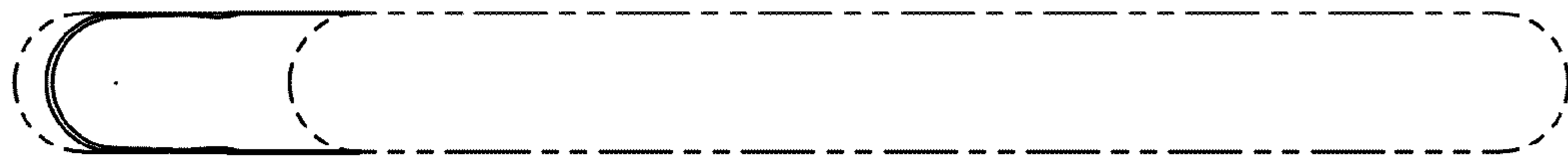


Fig. 6

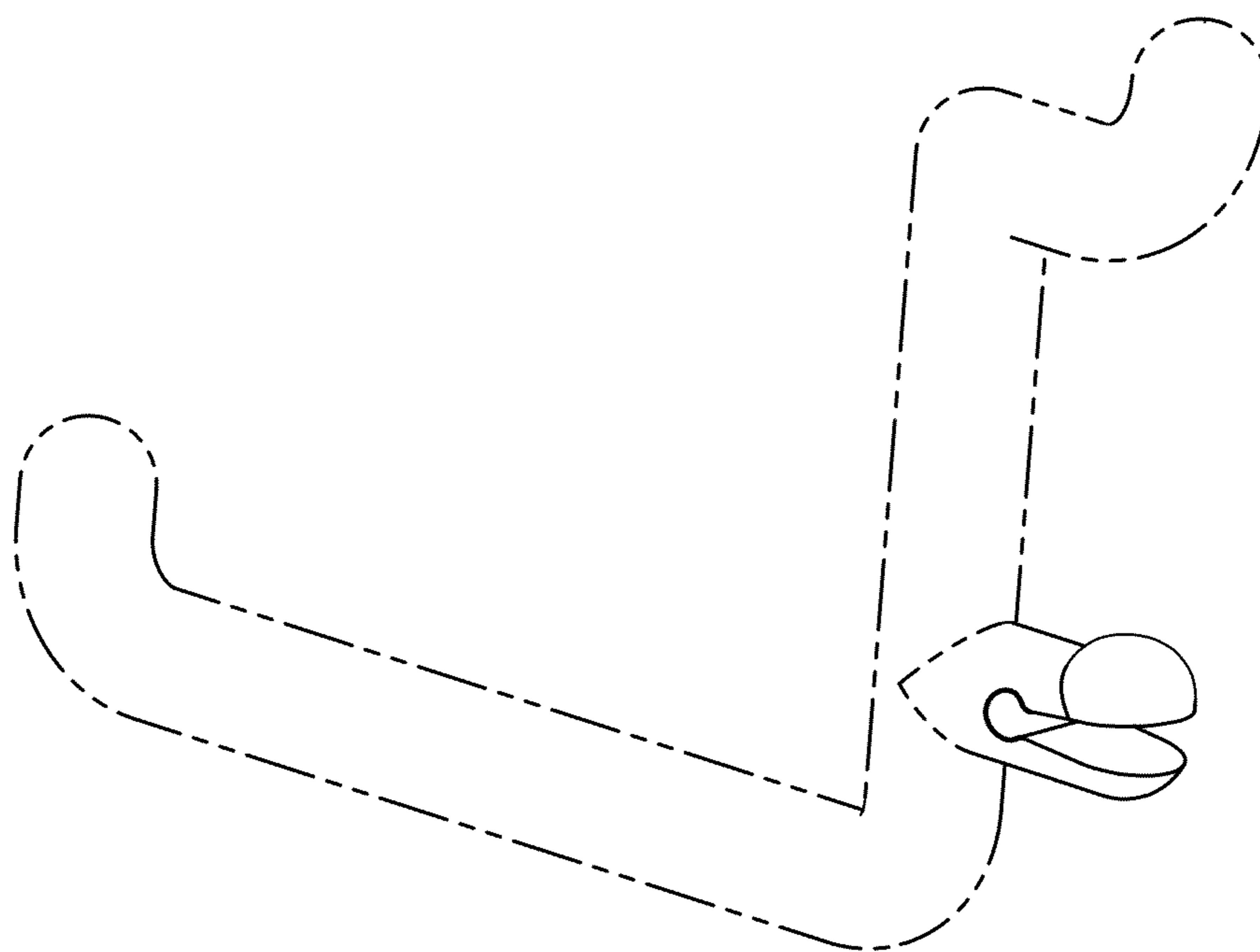


Fig. 7