



US00D755615S

(12) **United States Design Patent**
Kuehn

(10) **Patent No.:** **US D755,615 S**
(45) **Date of Patent:** **** May 10, 2016**

(54) **WALL BRACKET**

(71) Applicant: **TARGET BRANDS, INC.**,
Minneapolis, MN (US)

(72) Inventor: **Thomas P. Kuehn**, St. Louis Park, MN
(US)

(73) Assignee: **Target Brands, Inc.**, Minneapolis, MN
(US)

(**) Term: **14 Years**

(21) Appl. No.: **29/514,511**

(22) Filed: **Jan. 13, 2015**

(51) **LOC (10) Cl.** **08-05**

(52) **U.S. Cl.**
USPC **D8/373**

(58) **Field of Classification Search**
USPC D8/16, 19, 349, 354, 355, 363, 364,
D8/367, 370-373, 376, 382, 384-386,
D8/389; D6/323, 550; D11/208; D26/87;
D23/223, 238, 252, 257, 259; D20/15
CPC A47K 1/09; A47K 2201/02; A47K 10/04;
A47K 17/00; A47K 2010/3253; A47K 10/10;
A47K 5/00; A47H 1/102; Y10S 242/90;
Y10T 225/232; Y10T 225/247; Y10T 24/1696
See application file for complete search history.

(56) **References Cited**

U.S. PATENT DOCUMENTS

1,714,201 A	5/1929	West	
3,817,394 A	6/1974	Saiki	
D242,510 S	11/1976	Enckler	
4,146,204 A	3/1979	Thalenfeld	
4,318,486 A	3/1982	Bobrowski	
5,116,003 A	5/1992	Gerhardt	
D337,007 S *	7/1993	Hanson	D6/675.5
5,388,709 A	2/1995	Adams	

6,254,053 B1	7/2001	Taser	
D497,794 S *	11/2004	Anderson	D8/367
D555,947 S	11/2007	Vestweber	
D570,633 S *	6/2008	Goodman	D6/566
7,654,400 B2	2/2010	Orr	
D674,637 S *	1/2013	London	D6/553
D717,070 S *	11/2014	Callif	D6/553
D718,554 S *	12/2014	Snider	D6/525
D723,301 S *	3/2015	Callif	D3/306
D725,405 S *	3/2015	Tsai	D6/513
D727,060 S *	4/2015	Yang	D6/525

OTHER PUBLICATIONS

U.S. Appl. No. 29/514,516, filed Jan. 13, 2015 (7 pages).
U.S. Appl. No. 29/514,514, filed Jan. 13, 2015 (15 pages).
U.S. Appl. No. 29/514,512, filed Jan. 13, 2015 (5 pages).

(Continued)

Primary Examiner — Robert M Spear
Assistant Examiner — Eliza Bennett-Hattan
(74) *Attorney, Agent, or Firm* — Griffiths & Seaton PLLC;
JoAnn M. Seaton

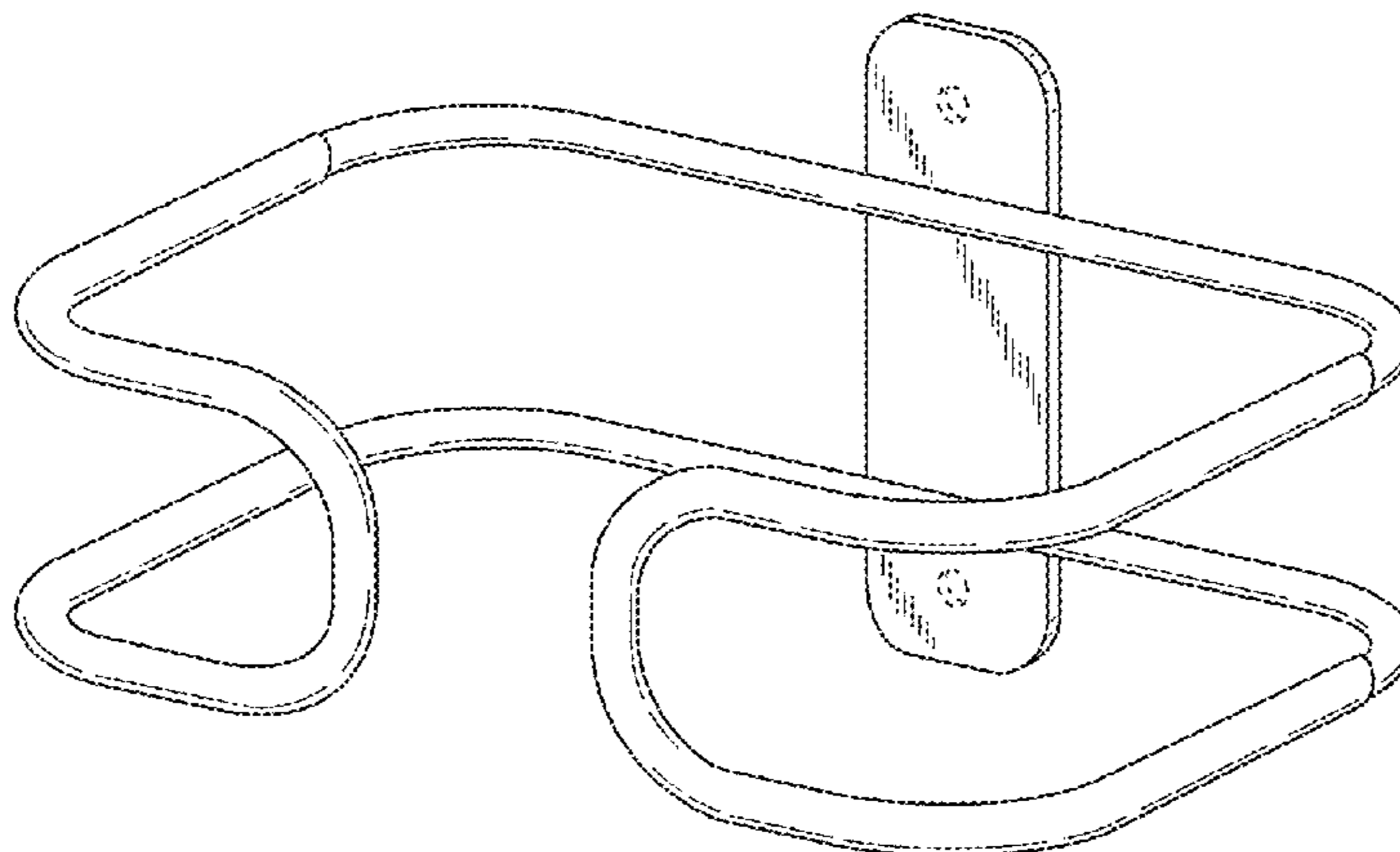
(57) **CLAIM**

The ornamental design for a wall bracket, as shown and described.

DESCRIPTION

FIG. 1 is a front, perspective view of a wall bracket showing our new design;
FIG. 2 is a front view thereof;
FIG. 3 is a rear view thereof;
FIG. 4 is a right side view thereof, the left side view being a mirror image of the right side view; and,
FIG. 5 is a top view thereof, the bottom view being a mirror image of the top view.
The features shown in broken lines are portions of the wall bracket forming no part of the claimed design.

1 Claim, 3 Drawing Sheets



(56)

References Cited

OTHER PUBLICATIONS

“InterDesign Suction Shower Caddy—Chrome,” printed from http://www.target.com/p/interdesign-suction-shower-caddy-chrome/-/A-14433016#prodSlot=_2_23, publicly available at least as early as Jul. 22, 2013, per <http://web.archive.org> (5 pages).

“InterDesign Medium Shower Caddy—Bronze,” printed from http://www.target.com/p/interdesign-medium-shower-caddy-bronze/-/A-14433011#prodSlot=_3_15, publicly available at least as early as Jul. 23, 2013, per <http://web.archive.org> (5 pages).

“Wall-Mount Hanger Holder,” printed from <http://www.stacksandstacks.com/wall-mount-hanger-holder>, publicly available at least as early as Aug. 20, 2014, per <http://web.archive.org> (2 pages).

“Wall-Mount Swing Arm,” printed from <http://www.stacksandstacks.com/wall-mount-swing-arm>, publicly available at least as early as Aug. 20, 2014, per <http://web.archive.org> (2 pages).

“4 Position Kitchen Storage Mop Broom Organizer Mop & Broom Holder Wall Mounted,” printed from <http://www.aliexpress.com/item/4-Position-Kitchen-Storage-Mop-Broom-Organizer-MOP-BROOM-HOLDER-Wall-Mounted/1402009056.html>, publicly available at least as early as Oct. 15, 2014 (2 pages).

“12.5" Mop & Broom Holder—Grey,” printed from <http://www.houzz.com/photos/15325999/125-Mop-and-Broom-Holder-Grey-modern-mops-brooms-and-dustpans>, publicly available at least as early as Oct. 15, 2014 (1 page).

“Chrome Wall Mount Clothing Storage Valet,” printed from <http://www.stacksandstacks.com/chrome-wall-mount-clothing-storage-valet>, publicly available at least as early as Oct. 15, 2014 (2 pages).

“Regency 18" Deep Wall Mounting Bracket for Adjoining Green Epoxy Wire Shelving,” printed from <http://www.webstaurantstore.com/regency-18-deep-wall-mounting-bracket-for-adjoining-green-epoxy-wire-shelving/460GDB18X.html>, publicly available at least as early as Oct. 15, 2014 (3 pages).

* cited by examiner

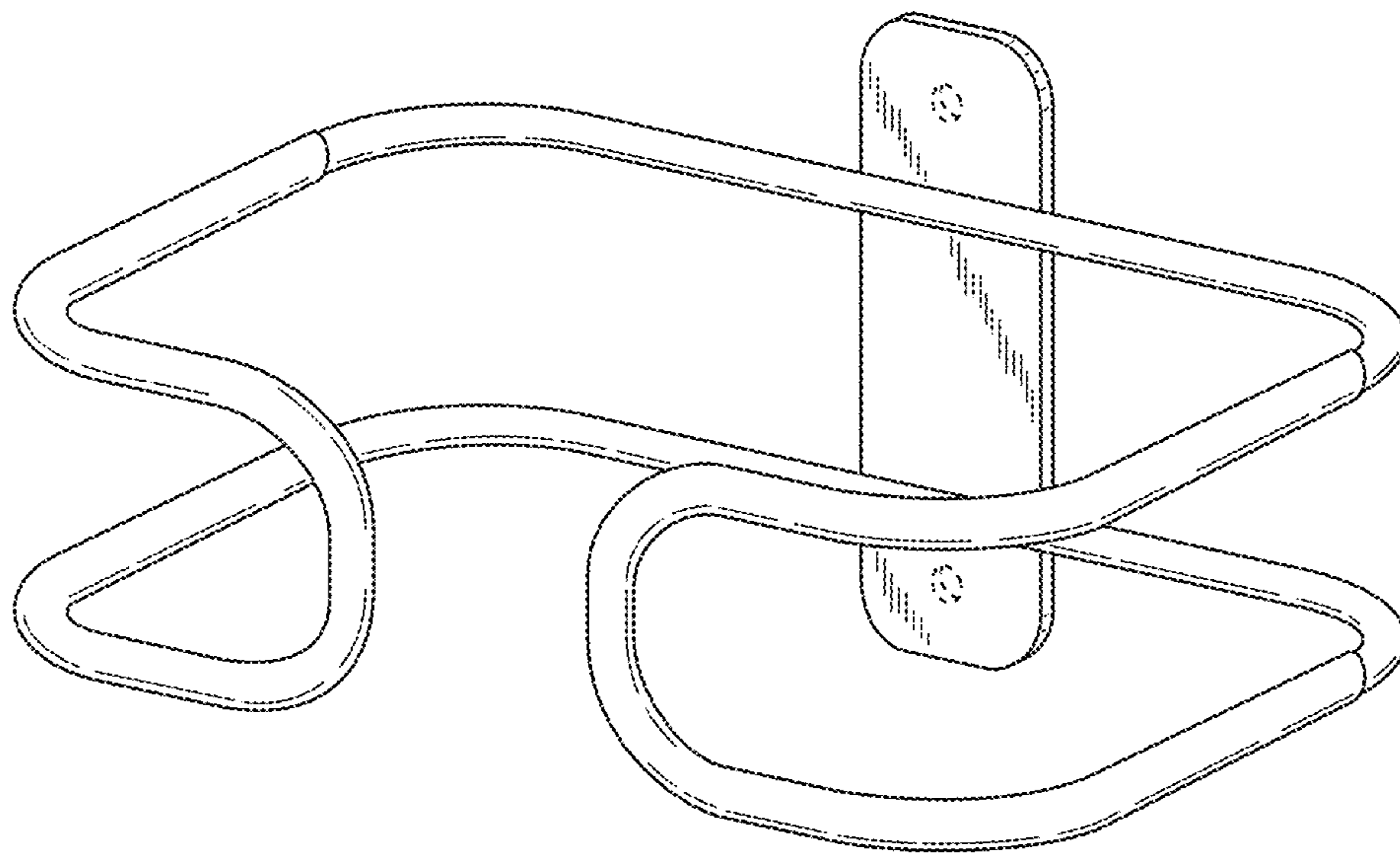


FIG. 1

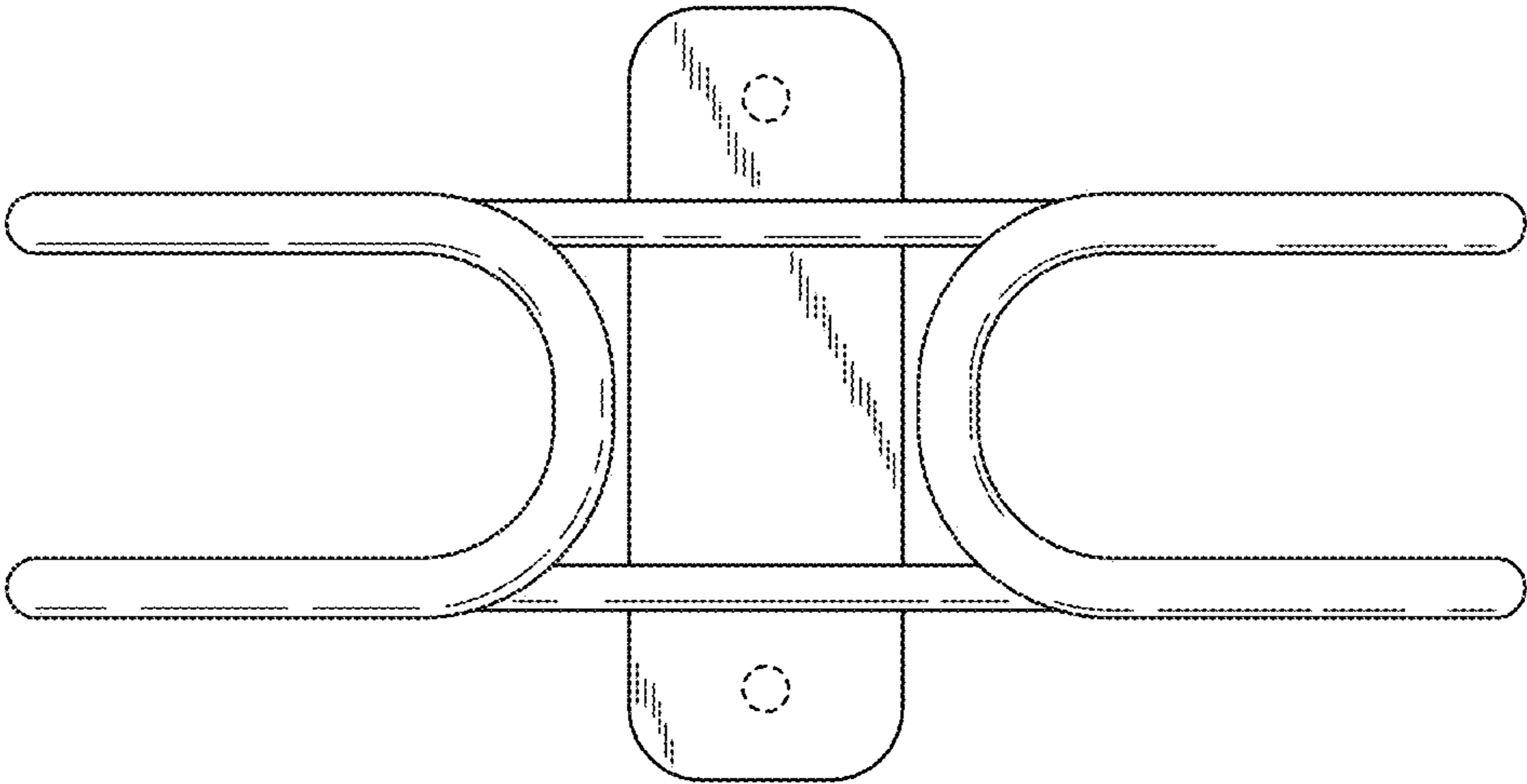


FIG. 2

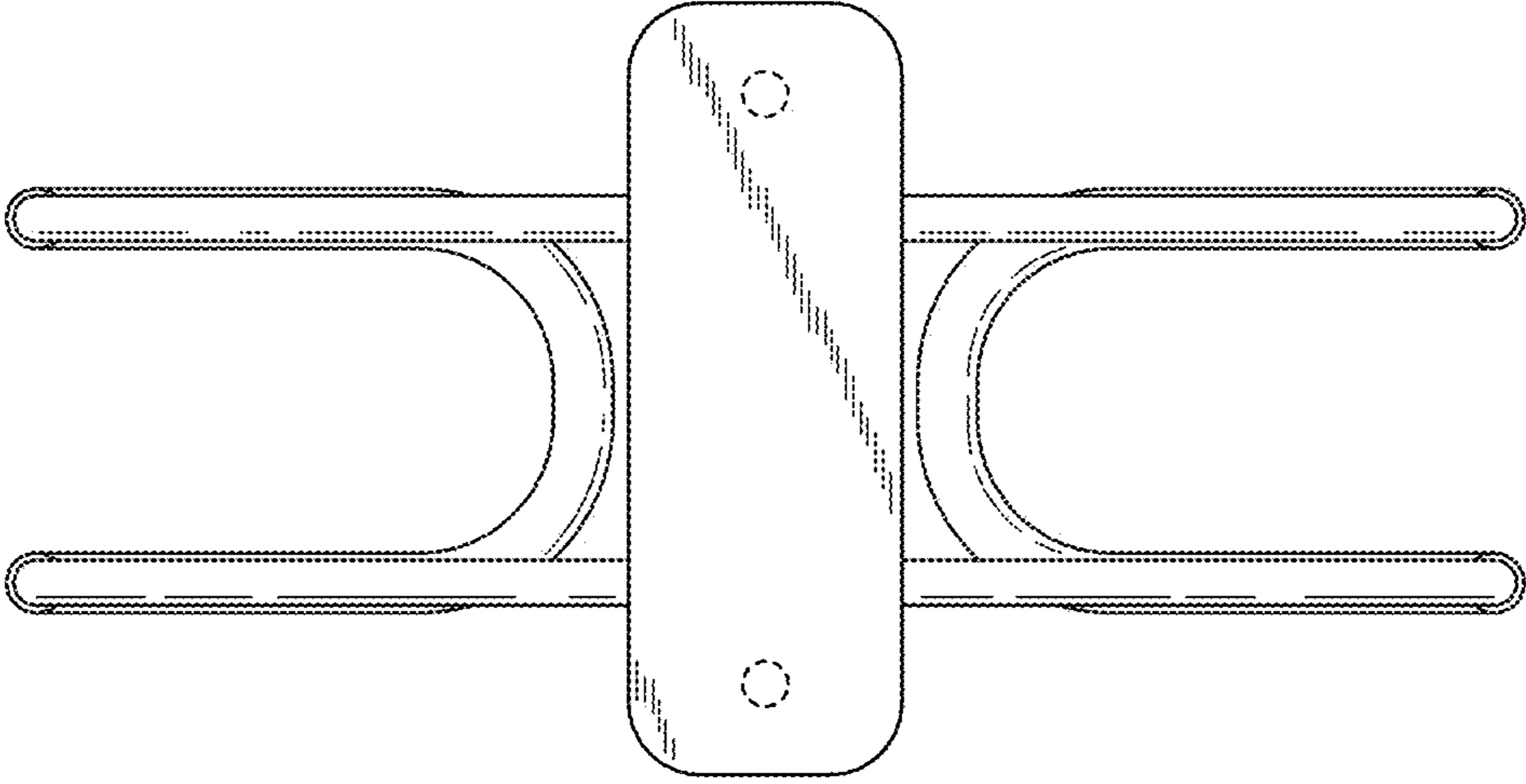


FIG. 3

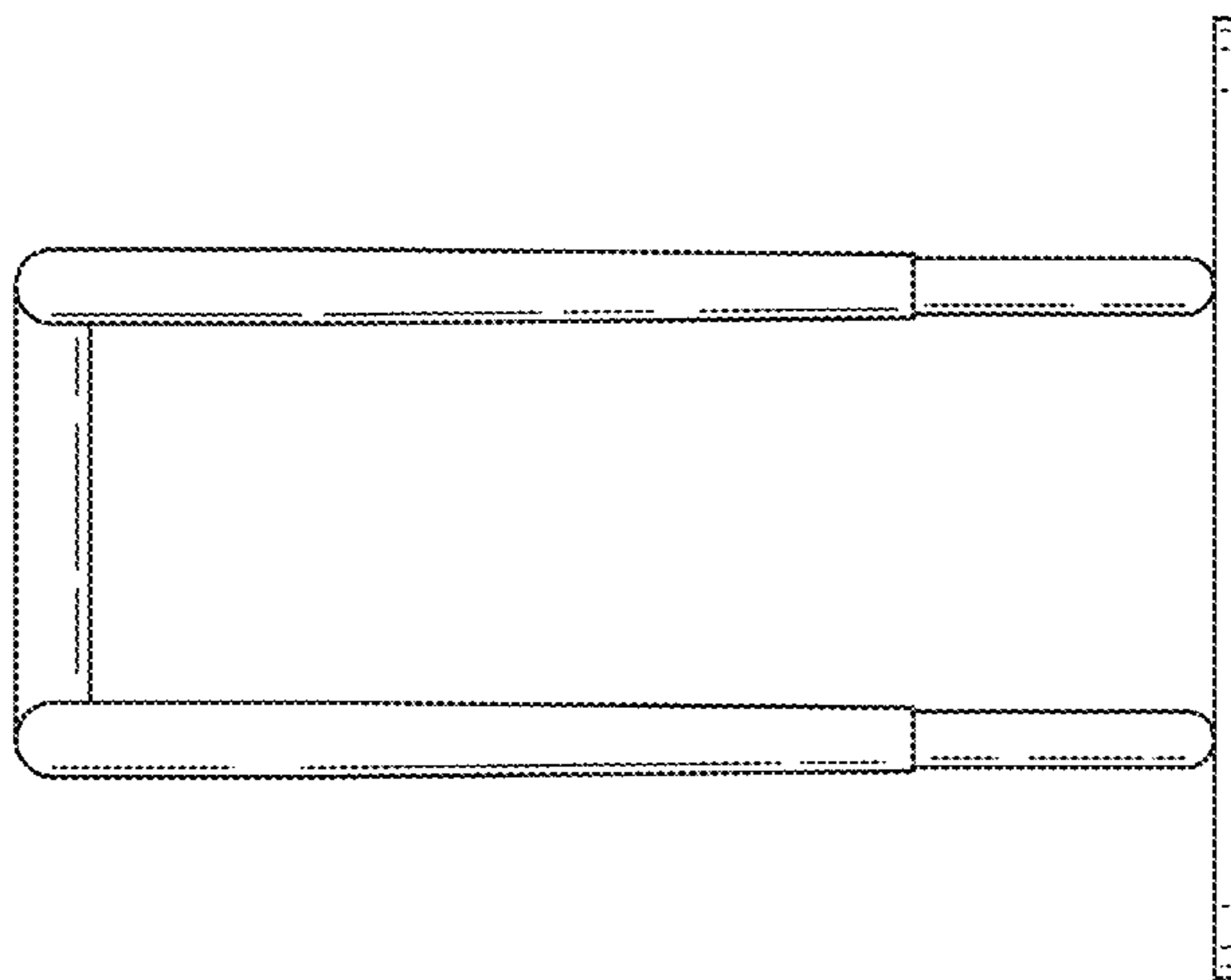


FIG. 4

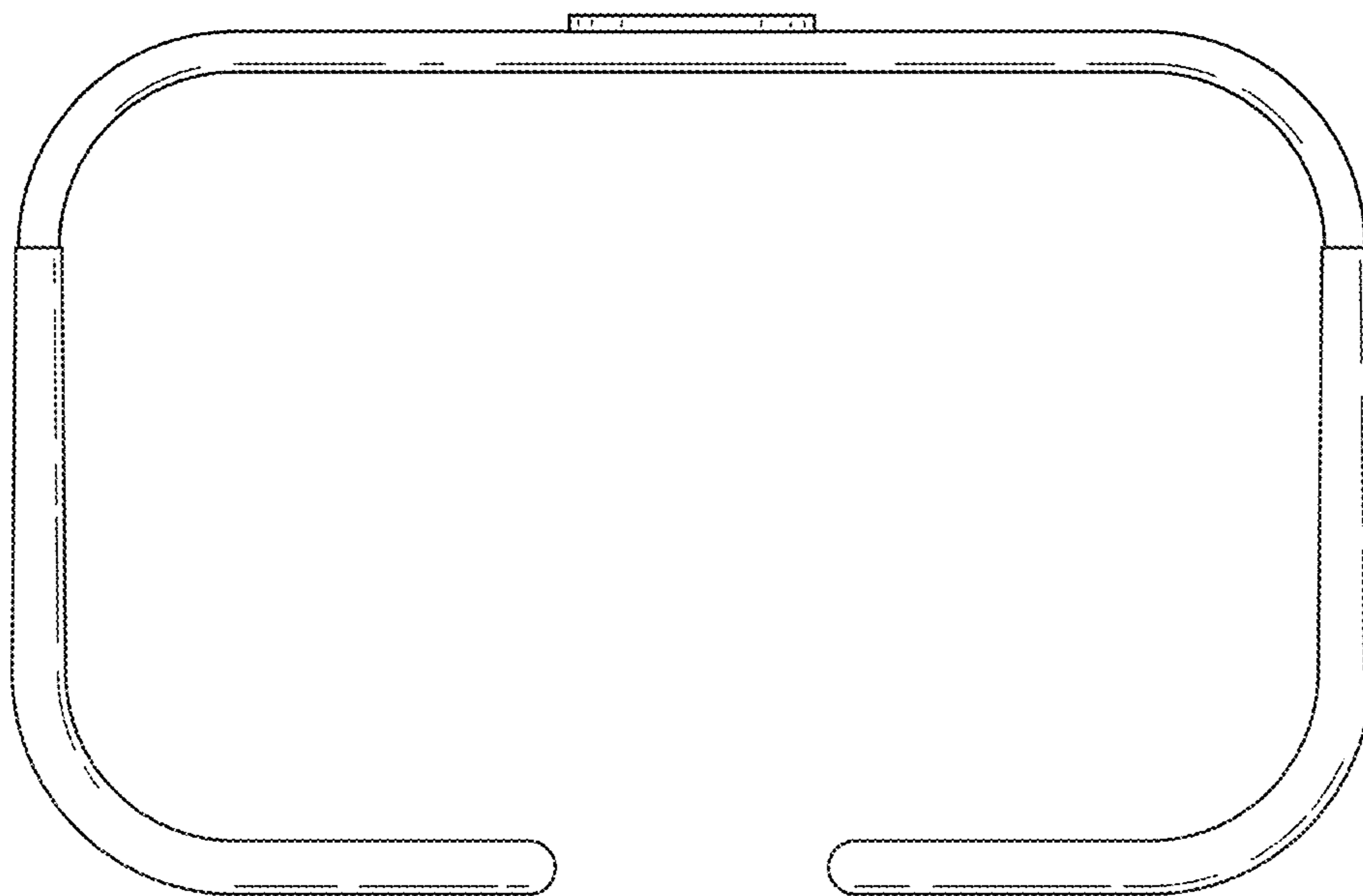


FIG. 5