



US00D755614S

(12) **United States Design Patent**  
**Gosling**

(10) **Patent No.:** **US D755,614 S**

(45) **Date of Patent:** **\*\* May 10, 2016**

(54) **FLEX BRACKET WITH KNUCKLE**

3,770,560 A	11/1973	Elder
4,076,100 A	2/1978	Davis
4,269,005 A	5/1981	Timmons
4,417,426 A	11/1983	Meng
4,535,577 A	8/1985	Tenser
4,546,591 A	10/1985	Beltz
4,708,189 A	11/1987	Ward

(71) Applicant: **Dirtt Environmental Solutions LTD,**  
Calgary (CA)

(72) Inventor: **Geoff William Gosling,** Calgary (CA)

(73) Assignee: **DIRTT Environmental Solutions,**  
LTD, Calgary (CA)

(Continued)

(\*\*) Term: **14 Years**

(21) Appl. No.: **29/473,239**

(22) Filed: **Nov. 20, 2013**

(51) **LOC (10) Cl.** ..... **08-05**

(52) **U.S. Cl.**  
USPC ..... **D8/373**

(58) **Field of Classification Search**  
USPC ..... D8/383, 374, 300, 303, 313, 314, 394,  
D8/396, 380, 373, 395, 363, 381, 44, 19,  
D8/352, 370, 308, 372, 376, 384;  
D13/133; D19/1; D22/108; D26/87;  
D9/686, 687; D23/238; D6/300, 556,  
D6/682, 325; D7/619.1  
CPC ..... F16B 12/44; F16B 12/46; F16B 5/0614;  
F16B 12/02; E04B 1/2612; E04B 2001/2415;  
E04B 1/5818; E04B 1/5831; A47B 88/0055;  
E04F 11/1812

See application file for complete search history.

(56) **References Cited**

U.S. PATENT DOCUMENTS

D26,071 S *	9/1896	Howland et al. ....	D8/383
1,715,853 A	6/1929	Madsen	
D172,998 S *	9/1954	Sumner .....	D8/383
2,996,157 A	8/1961	Rauth	
3,159,236 A	12/1964	Akerson	
3,174,580 A	3/1965	Schulz	
3,177,970 A	4/1965	Boschi	
D204,057 S *	3/1966	Logan .....	D8/363
3,526,065 A	9/1970	Lee	

FOREIGN PATENT DOCUMENTS

EP	1712694	10/2006
JP	02164984	6/1990

(Continued)

OTHER PUBLICATIONS

International Search Report and Written Opinion for PCT/US2013/  
063580 mailed Jan. 17, 2014.

(Continued)

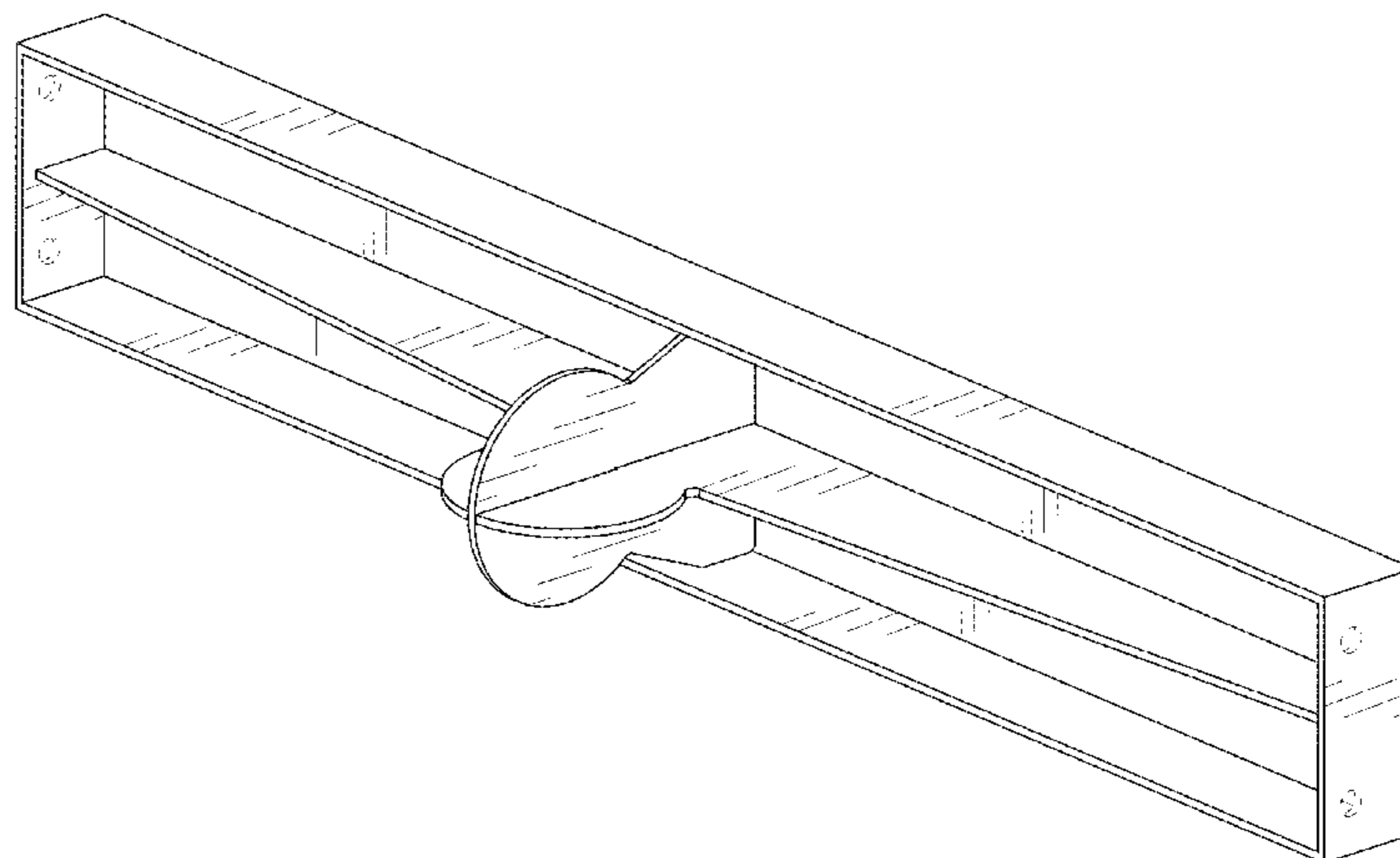
*Primary Examiner* — Robert M Spear  
*Assistant Examiner* — Eliza Bennett-Hattan  
(74) *Attorney, Agent, or Firm* — Workman Nydegger

(57) **CLAIM**  
The ornamental design for a flex bracket with knuckle, as shown and described.

**DESCRIPTION**

FIG. 1 is a perspective view of a flex bracket with knuckle showing the design;  
FIG. 2 is a left elevational view thereof, a right elevational view being identical thereto;  
FIG. 3 is a top plan view thereof, bottom plan view being identical thereto;  
FIG. 4 is a front elevational view thereof; and,  
FIG. 5 is a rear elevational view thereof.  
The broken lines in the drawing depict environmental subject matter only and form no part of the claimed design.

**1 Claim, 3 Drawing Sheets**



(56)

References Cited

U.S. PATENT DOCUMENTS

D300,803 S \* 4/1989 Whitley, II ..... D8/363  
 D306,689 S \* 3/1990 Hamann ..... D8/363  
 4,914,873 A 4/1990 Newhouse  
 D313,933 S \* 1/1991 Petley ..... D8/373  
 5,050,353 A 9/1991 Rogers  
 5,134,826 A 8/1992 La Roche  
 5,155,955 A 10/1992 Ball  
 5,172,530 A 12/1992 Fishel  
 5,195,286 A 3/1993 DeLong  
 5,297,368 A 3/1994 Okada  
 D348,384 S \* 7/1994 Karsten ..... D8/363  
 5,349,794 A 9/1994 Taga  
 5,487,402 A 1/1996 Clary  
 5,732,802 A 3/1998 Tsukagoshi  
 5,735,100 A 4/1998 Campbell  
 5,852,904 A 12/1998 Yu  
 5,906,080 A 5/1999 Digirolamo  
 5,934,028 A 8/1999 Taylor  
 D429,998 S \* 8/2000 Snell ..... D8/363  
 6,170,202 B1 1/2001 Davoodi  
 6,260,324 B1 7/2001 Miedema  
 6,434,895 B1 8/2002 Hosterman  
 6,598,351 B2 7/2003 Hallberg  
 6,679,016 B2 1/2004 Liu  
 6,889,477 B1 5/2005 Kottman  
 7,226,033 B2 6/2007 Foucher  
 D569,713 S \* 5/2008 Sandidge ..... D8/363  
 D576,475 S \* 9/2008 Didehvar ..... D8/373  
 7,466,286 B2 12/2008 Chapman  
 7,712,260 B2 5/2010 Vardado  
 7,797,901 B2 9/2010 Near  
 7,926,430 B2 4/2011 Bakker  
 7,958,683 B2 6/2011 Abusada  
 8,015,767 B2 9/2011 Glick  
 8,033,059 B2 10/2011 Contois

8,046,957 B2 11/2011 Towersey  
 D696,572 S \* 12/2013 Petruccelli ..... D8/373  
 8,601,749 B2 12/2013 Huene  
 8,613,168 B2 12/2013 Huene  
 8,615,936 B2 12/2013 Huene  
 D699,547 S \* 2/2014 Syed et al. .... D8/363  
 8,813,455 B2 8/2014 Merrifield  
 8,899,519 B2 12/2014 Smith  
 2003/0154672 A1 8/2003 Spransy  
 2006/0057345 A1 3/2006 Surace  
 2006/0059806 A1 3/2006 Gosling  
 2006/0157297 A1 7/2006 D'Antonio  
 2008/0302054 A1 12/2008 Gosling  
 2011/0100749 A1 5/2011 Nonogi  
 2011/0146180 A1 6/2011 Klein  
 2011/0147119 A1 6/2011 Cao  
 2014/0157720 A1 6/2014 Huene

FOREIGN PATENT DOCUMENTS

JP 11013176 1/1999  
 JP 11050574 2/1999  
 KR 1020020037255 5/2002  
 KR 101143844 5/2012

OTHER PUBLICATIONS

International Search Report and Written Opinion for PCT/US2013/063548 mailed Jan. 16, 2014.  
 Office Action for U.S. Appl. No. 14/114,019 mailed Aug. 7, 2015.  
 International Search Report and Written Opinion for PCT/US2013/063488 mailed Jan. 17, 2014.  
 Non-Final Office Action for U.S. Appl. No. 14/113,252 mailed on Nov. 9, 2015.  
 Non-Final Office Action for U.S. Appl. No. 14/722,642 mailed on Nov. 19, 2015.

\* cited by examiner

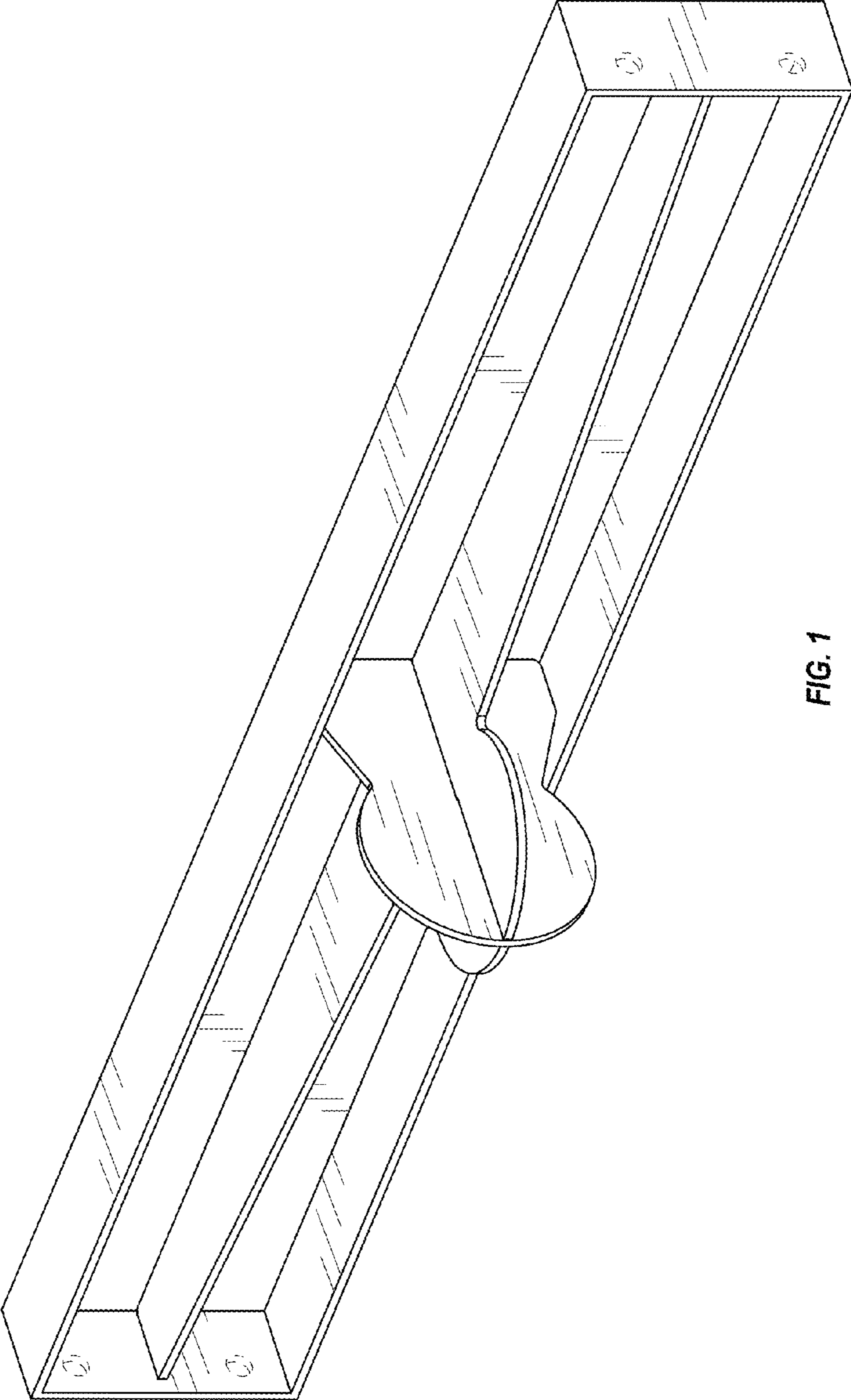


FIG. 1

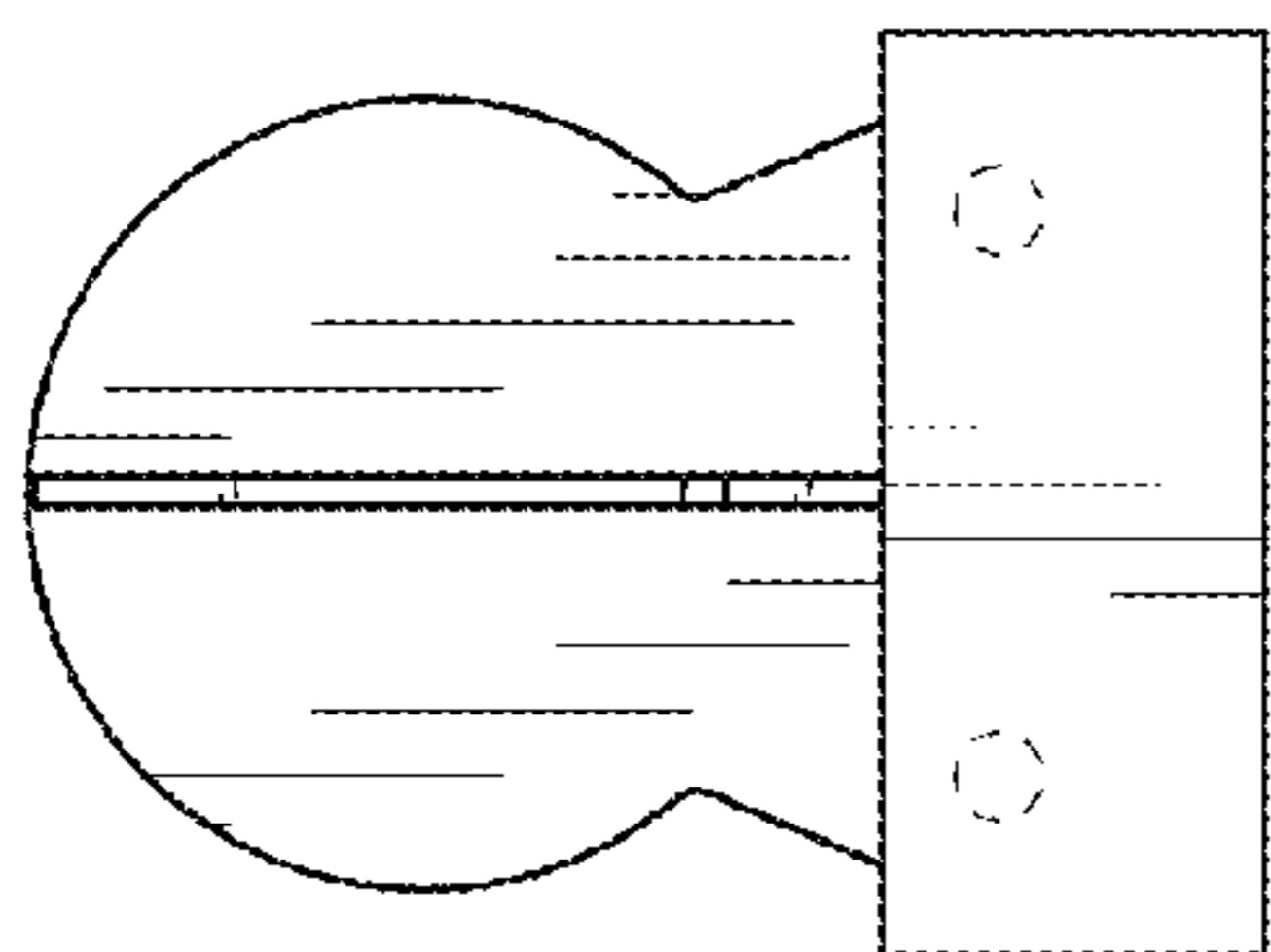


FIG. 2

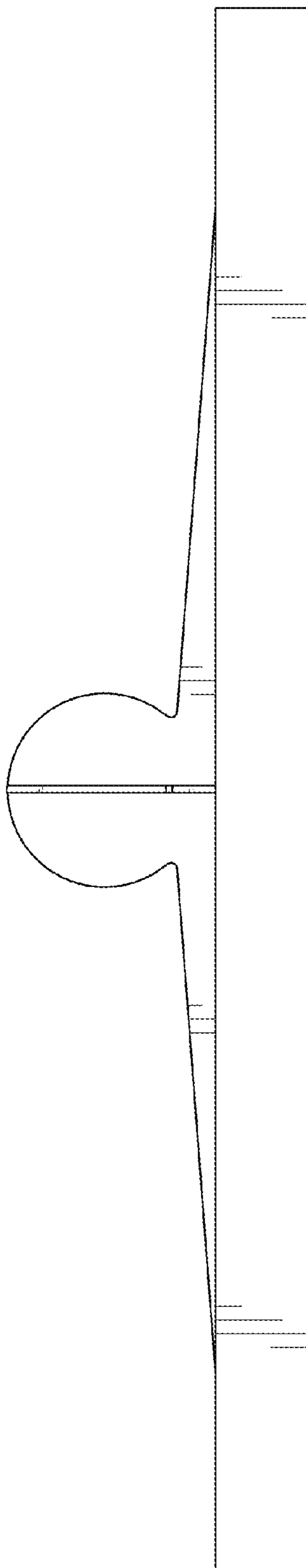


FIG. 3

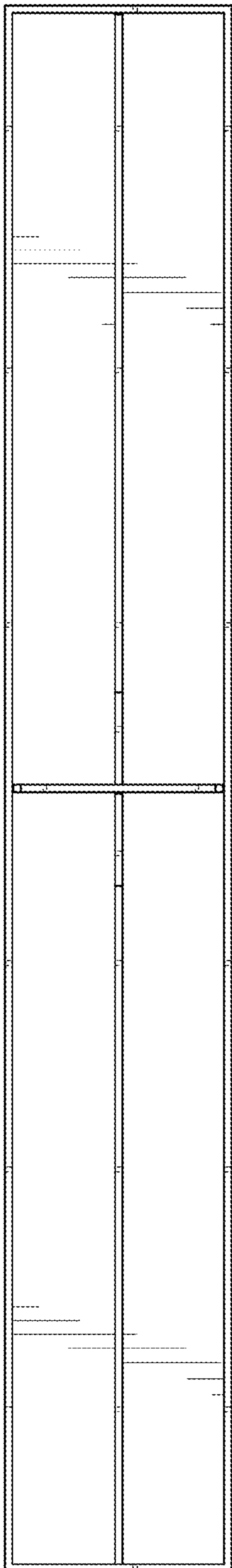


FIG. 4

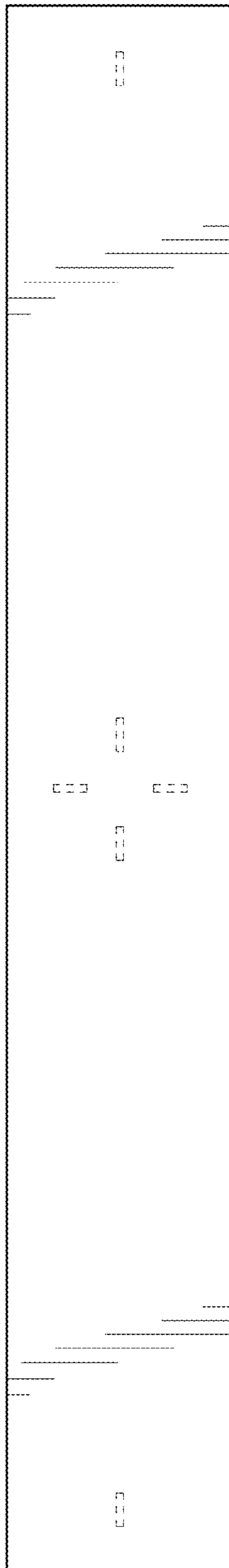


FIG. 5