



US00D755613S

(12) **United States Design Patent**  
**Ajello**

(10) **Patent No.:** **US D755,613 S**

(45) **Date of Patent:** **\*\* May 10, 2016**

(54) **HANGER FOR A DOOR TOP**

(71) Applicant: **Michael S. Ajello**, Villa Park, CA (US)

(72) Inventor: **Michael S. Ajello**, Villa Park, CA (US)

(\*\*) Term: **14 Years**

(21) Appl. No.: **29/525,220**

(22) Filed: **Apr. 28, 2015**

(51) **LOC (10) Cl.** ..... **08-05**

(52) **U.S. Cl.**  
USPC ..... **D8/372**

(58) **Field of Classification Search**

USPC ..... D8/16, 19, 349, 354, 355, 363, 364,  
D8/367, 370-373, 376, 382, 384-386,  
D8/389; D6/323, 550; D11/208; D26/87;  
D23/223, 238, 252, 257, 259; D20/15  
CPC ..... E05C 19/10; E05C 17/50; E05C 3/045;  
E05C 3/30; E05C 19/02; E05C 19/026;  
A47G 25/0614; A47G 25/18; A47G 25/32  
See application file for complete search history.

(56) **References Cited**

**U.S. PATENT DOCUMENTS**

D31,976 S *	12/1899	Hogue	223/95
D305,299 S *	1/1990	Freeman	248/214
D310,018 S *	8/1990	Landrum	D8/367
D342,889 S *	1/1994	Adams	D8/367
D343,112 S *	1/1994	Corbin	D8/367
D473,452 S *	4/2003	Knapp	D6/323
D494,047 S *	8/2004	Klein	D8/371
D494,050 S *	8/2004	Klein	D6/513
D494,844 S *	8/2004	Klein	D8/372
D567,070 S *	4/2008	George	D8/371
7,992,833 B1 *	8/2011	Goodman	A47G 25/0614 248/298.1

D658,392 S *	5/2012	Cohen	D6/323
D666,083 S *	8/2012	Mackay	D8/367

\* cited by examiner

*Primary Examiner* — Robert M Spear

*Assistant Examiner* — Eliza Bennett-Hattan

(74) *Attorney, Agent, or Firm* — Morland C. Fischer

(57) **CLAIM**

The ornamental design for a hanger for a door top, as shown and described.

**DESCRIPTION**

FIG. 1 is a perspective view showing the right side, top and front of a hanger for a door top which forms one embodiment of my new design, the knobs shown in broken lines being for environmental purposes only and forming no part of my design;

FIG. 2 is a top plan view thereof;

FIG. 3 is a front elevational view thereof, this view and the opposite rear elevational view being identical;

FIG. 4 is a right side elevational view thereof, this view and the opposite left side elevational view being identical;

FIG. 5 is a bottom plan view thereof;

FIG. 6 is a perspective view showing the right side, top, and front of a hanger for a door top which forms another embodiment of my new design, the knobs shown in broken lines being for environmental purposes only and forming no part of my design;

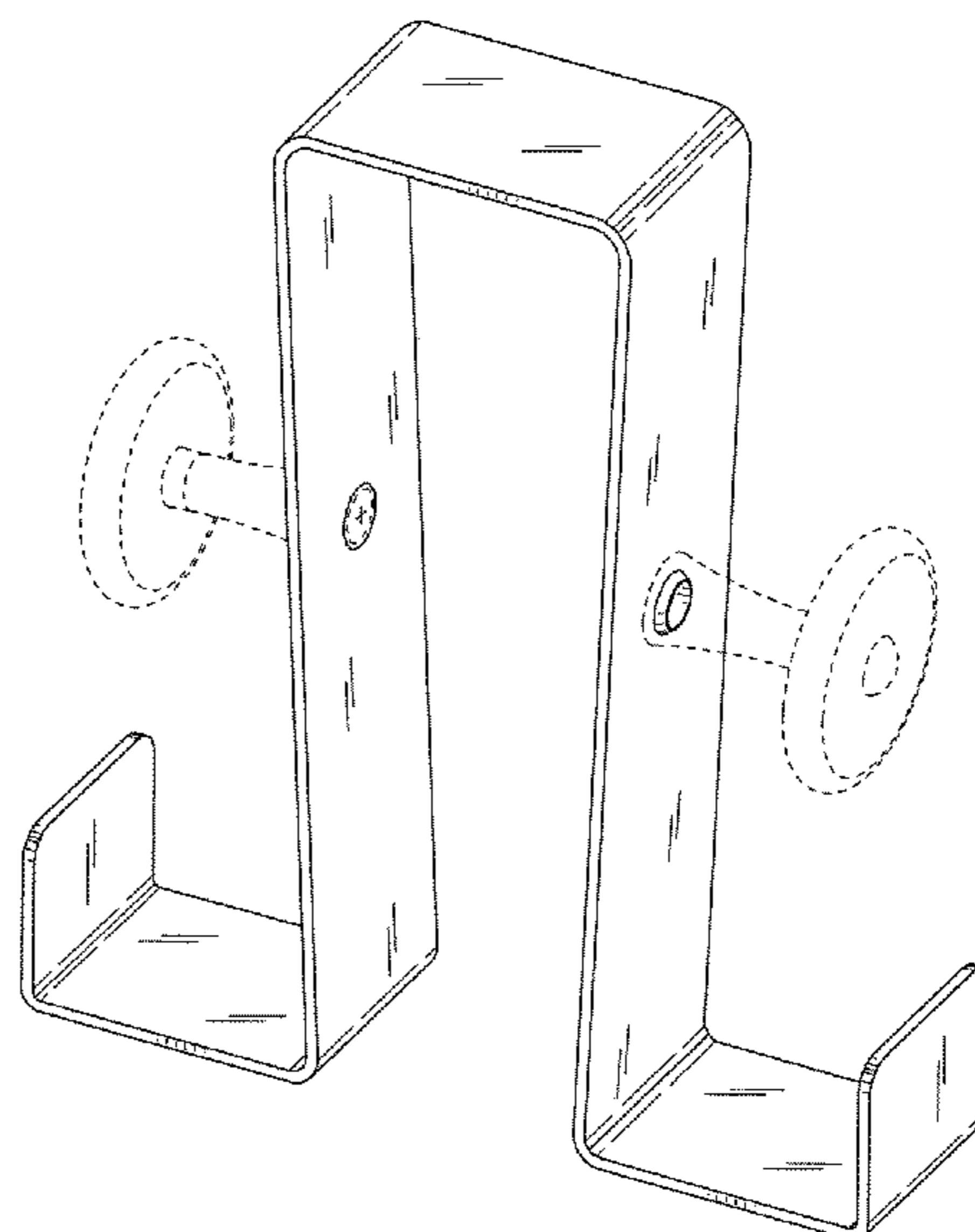
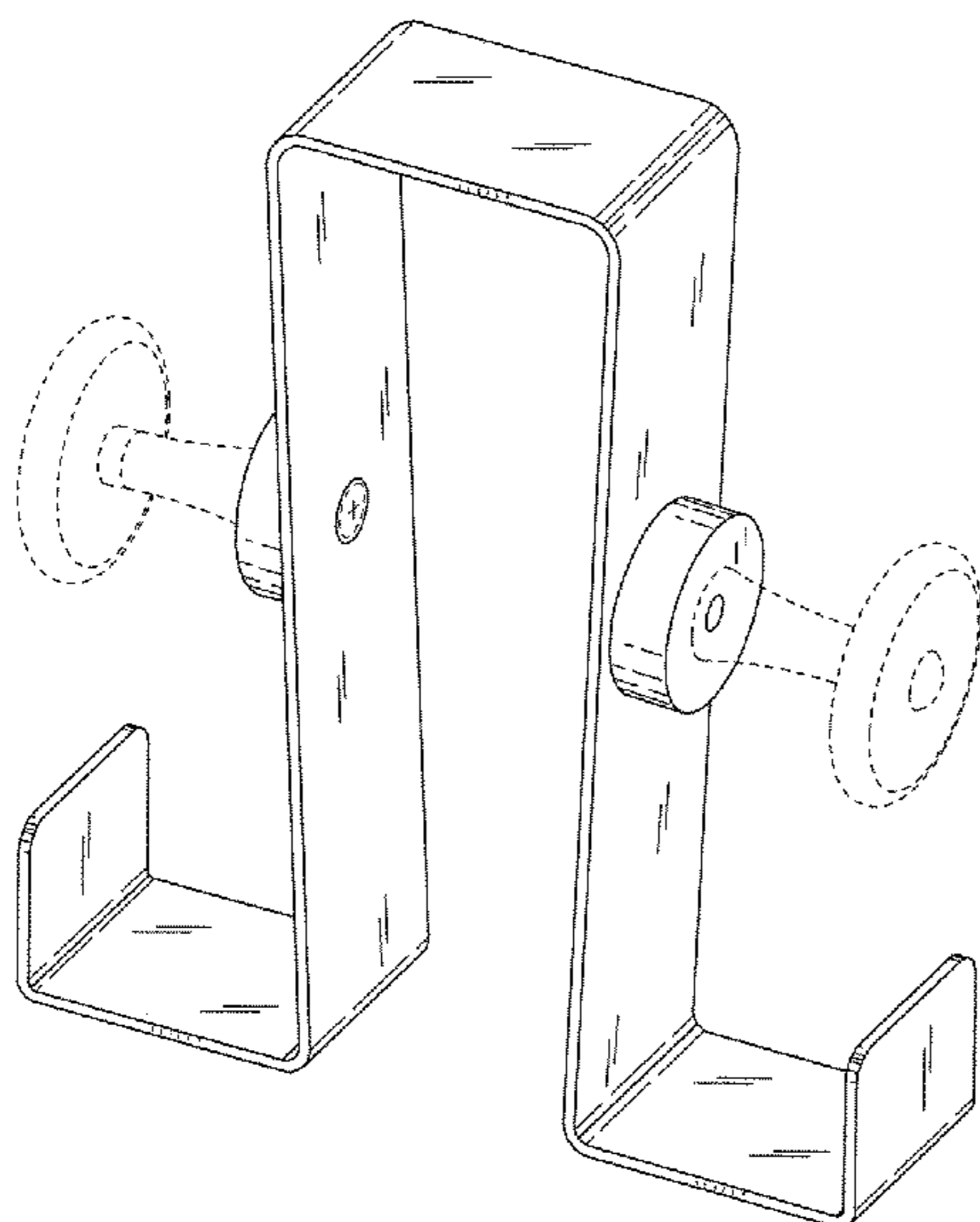
FIG. 7 is a top plan view thereof;

FIG. 8 is a front elevational view thereof, this view and the opposite rear elevational view being identical;

FIG. 9 is a right side elevational view thereof, this view and the opposite left side elevational view being identical; and,

FIG. 10 is a bottom plan view thereof.

**1 Claim, 4 Drawing Sheets**



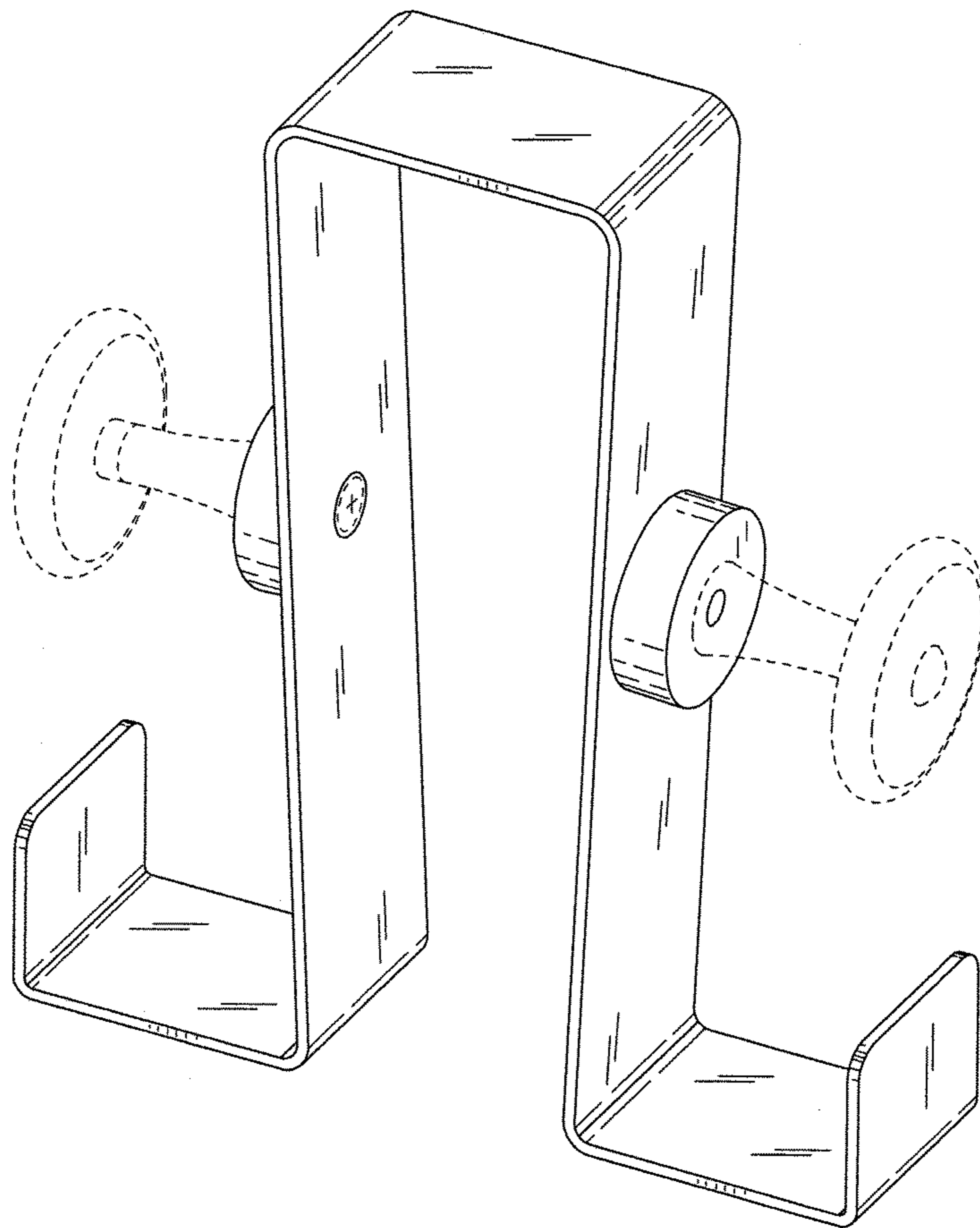


FIG. 1

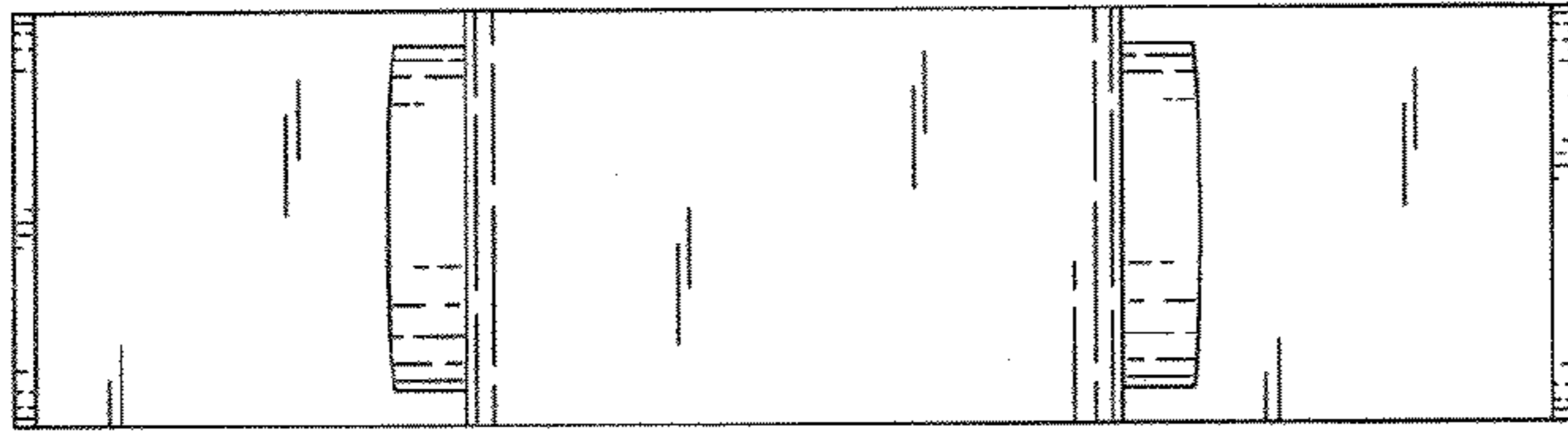


FIG. 2

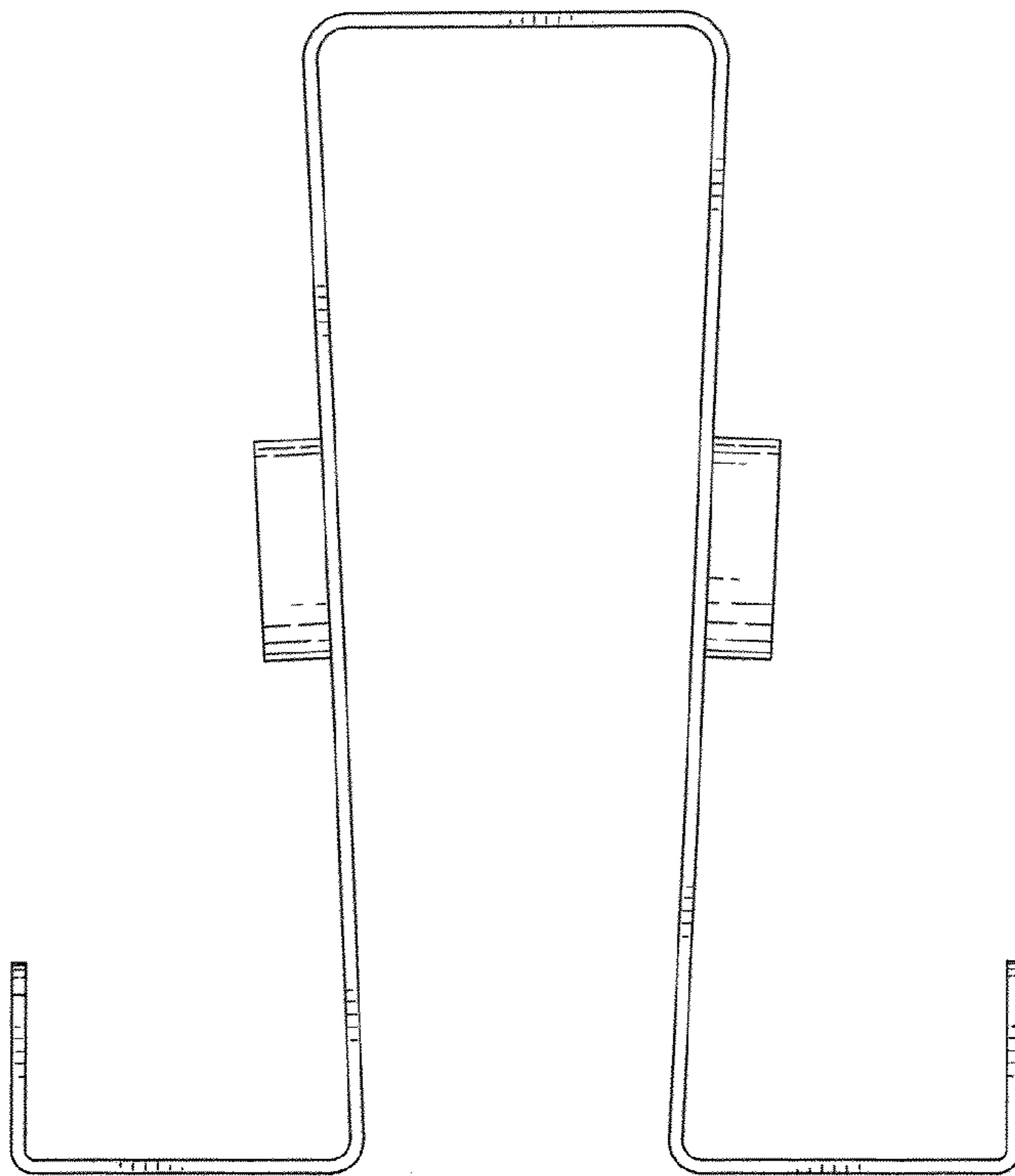


FIG. 3

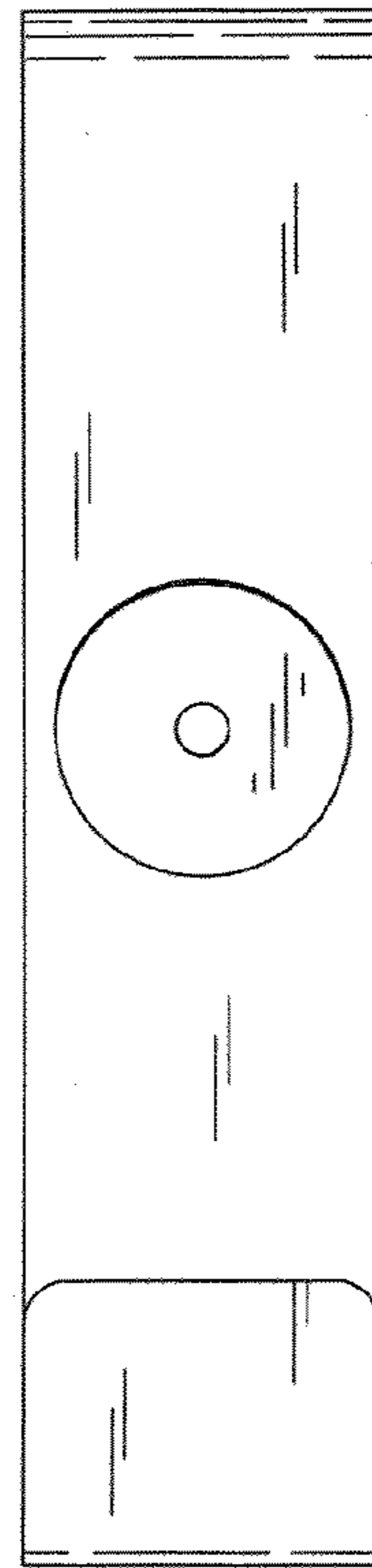


FIG. 4

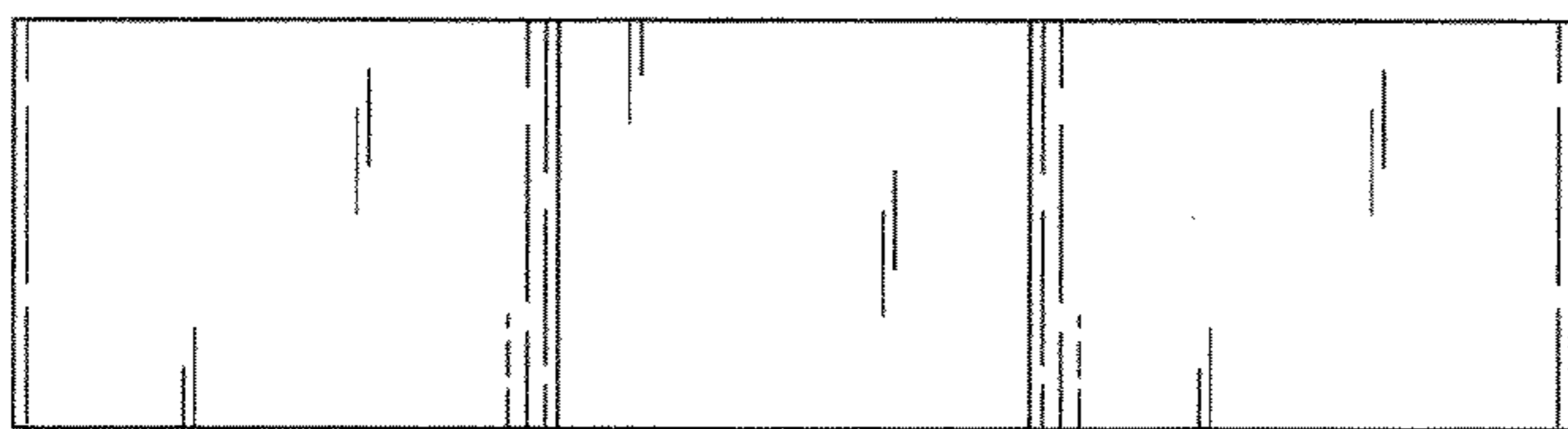


FIG. 5

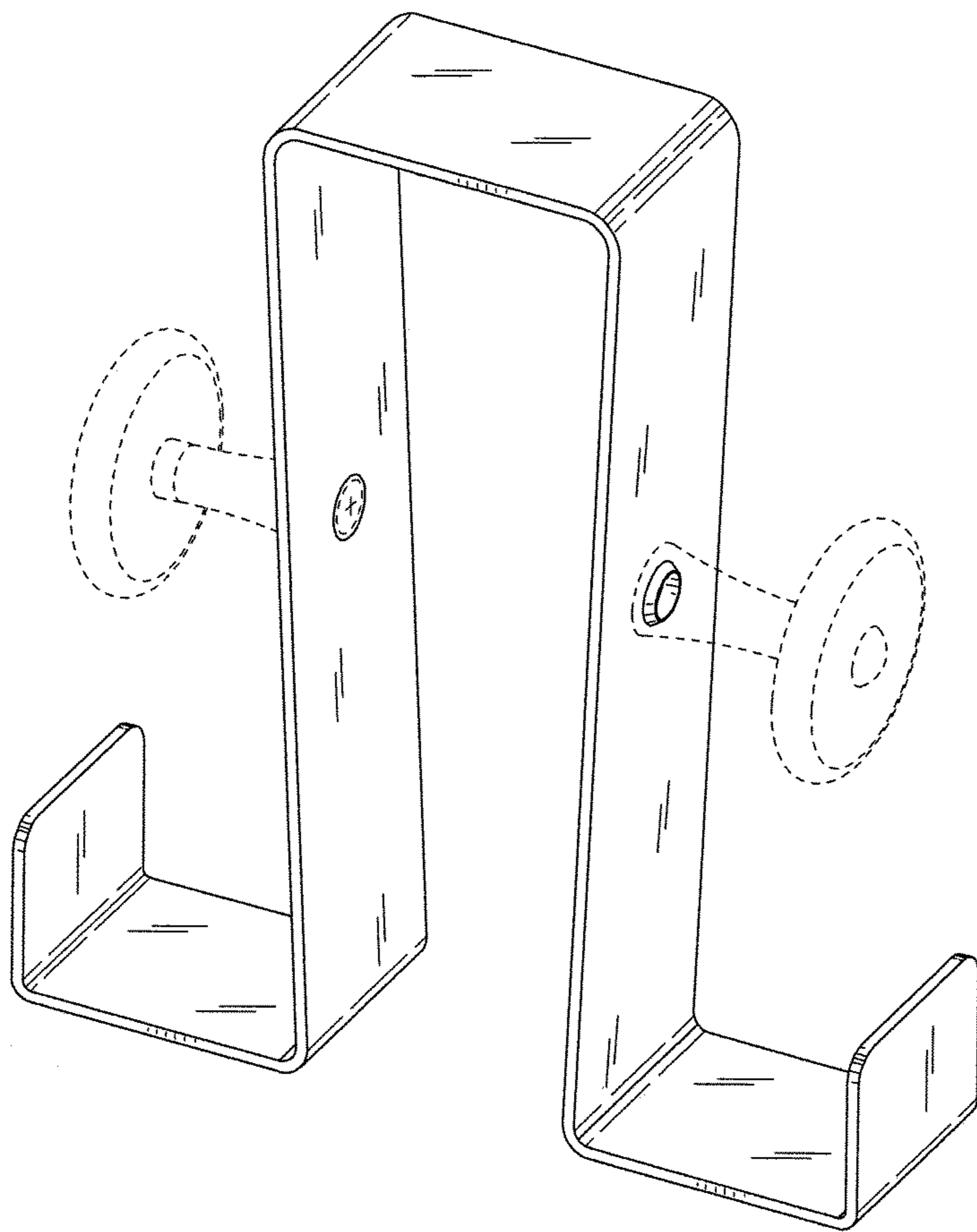


FIG. 6

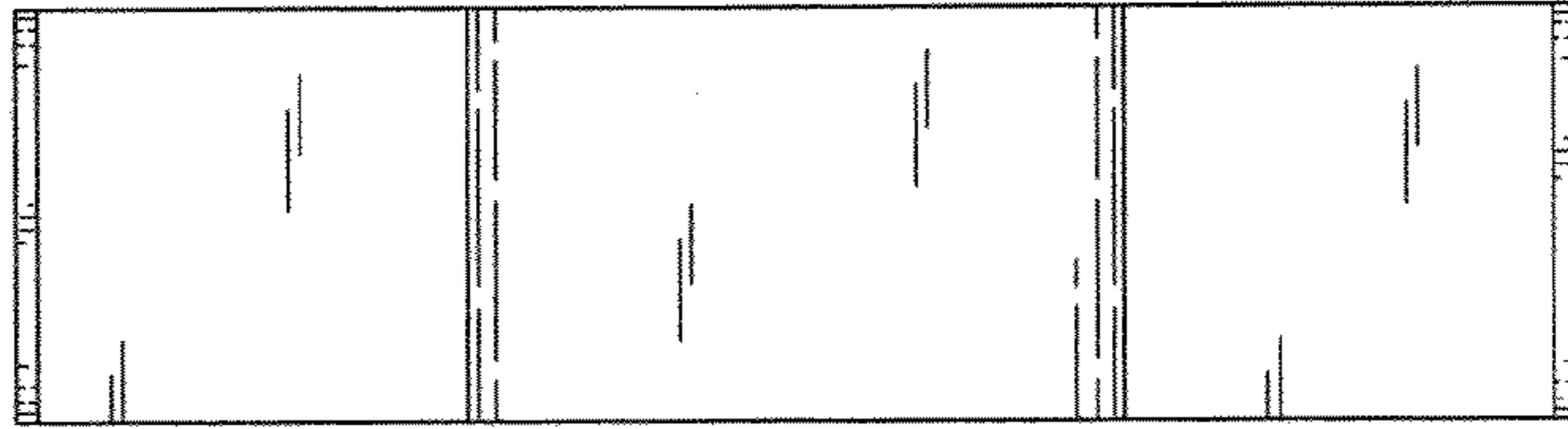


FIG. 7

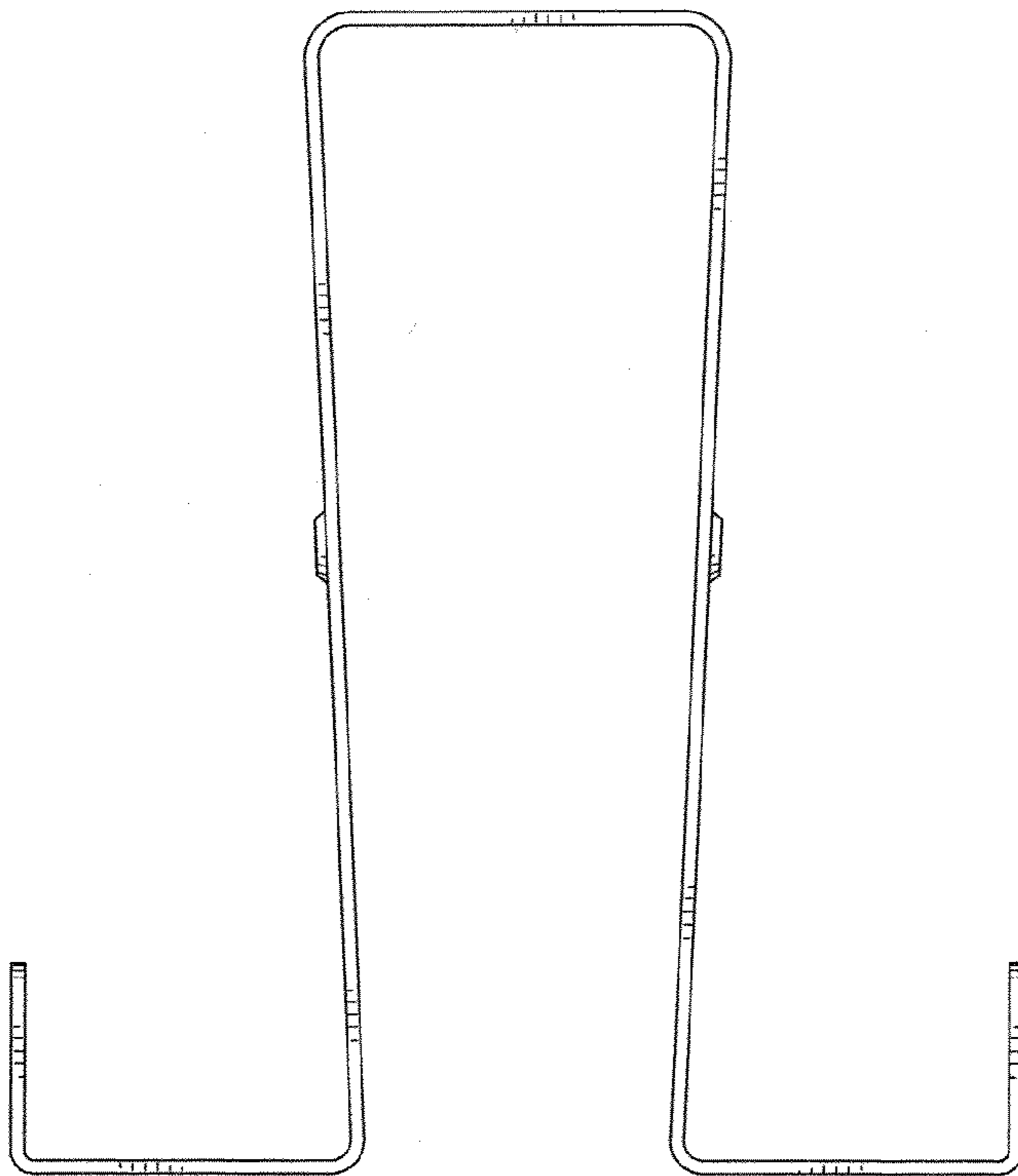


FIG. 8

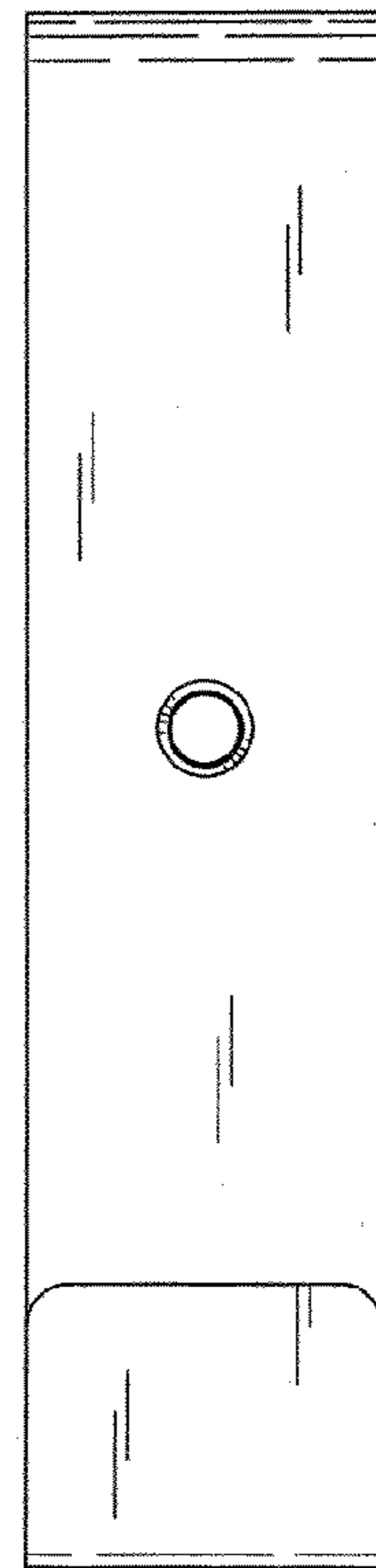


FIG. 9

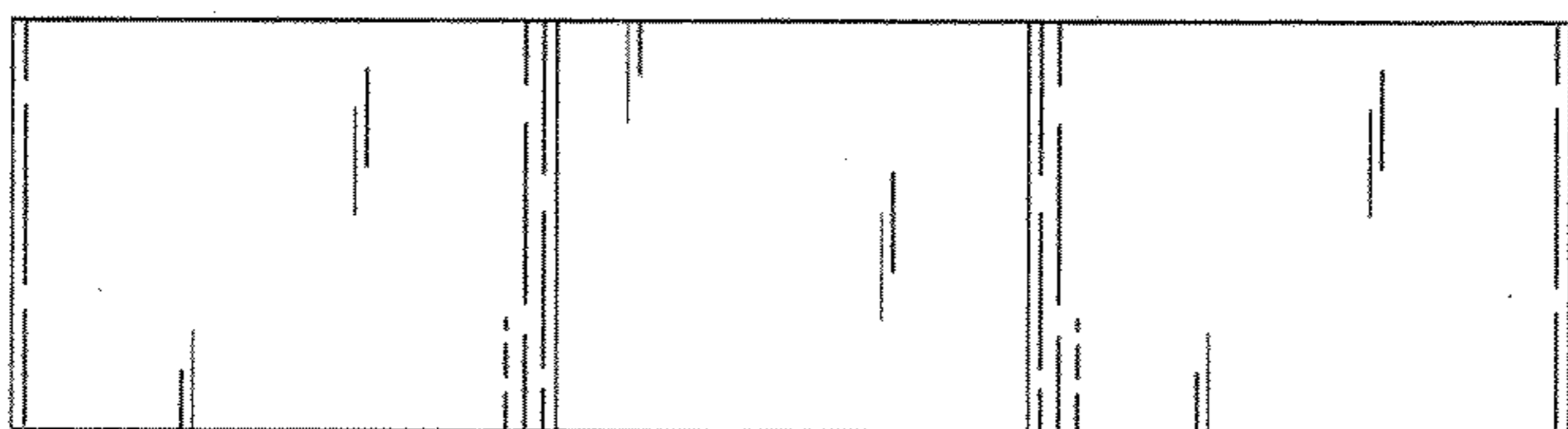


FIG. 10