



US00D755612S

(12) **United States Design Patent**  
**Cooper**

(10) **Patent No.:** **US D755,612 S**

(45) **Date of Patent:** **\*\* May 10, 2016**

- (54) **HOOK FOR TIE DOWN STRAP**
- (71) Applicant: **Greg Cooper**, Jacksonville, FL (US)
- (72) Inventor: **Greg Cooper**, Jacksonville, FL (US)
- (\*\*) Term: **15 Years**
- (21) Appl. No.: **29/530,797**
- (22) Filed: **Jun. 19, 2015**
- (51) **LOC (10) Cl.** ..... **08-05**
- (52) **U.S. Cl.**  
USPC ..... **D8/367**
- (58) **Field of Classification Search**  
USPC ..... D8/367, 354, 349, 389; 248/301, 302,  
248/303, 304, 339; 24/132 R; D6/325  
CPC ..... A47G 1/00; F16B 2/00; A63B 27/00  
See application file for complete search history.

D492,188 S *	6/2004	Goldberg	.....	D8/356
D493,092 S *	7/2004	Kalat	.....	D8/367
D520,345 S *	5/2006	Kelleghan	.....	D8/356
D521,362 S *	5/2006	Kelleghan	.....	D8/356
D573,875 S *	7/2008	Anderson	.....	D8/367
D612,710 S *	3/2010	Kelleghan	.....	D8/356
D626,393 S *	11/2010	Ormsbee	.....	D8/367
D699,098 S *	2/2014	Fretz	.....	D8/367
8,702,360 B1	4/2014	Smith		
D730,159 S *	5/2015	Grimm	.....	D8/356
D730,722 S *	6/2015	Grimm	.....	D8/356
D735,559 S *	8/2015	Liang	.....	D8/356
D736,070 S *	8/2015	Kaneko	.....	D8/367
D740,646 S *	10/2015	Sargent	.....	D8/367
D743,778 S *	11/2015	Huang	.....	D8/367
D749,938 S *	2/2016	Norpoth	.....	D8/367

\* cited by examiner

*Primary Examiner* — Cynthia Underwood  
(74) *Attorney, Agent, or Firm* — Lawrence J. Gibney, Jr.;  
Mitchell R. Ghaneie

(56) **References Cited**

U.S. PATENT DOCUMENTS

D271,465 S *	11/1983	Boissonnet	.....	D8/367
5,257,441 A *	11/1993	Barlow	.....	F16B 45/02 24/599.5
5,538,303 A *	7/1996	Dunham	.....	B63B 21/54 24/599.1
D387,637 S *	12/1997	Salgy	.....	D8/1
D455,642 S *	4/2002	Kelleghan	.....	D8/367
D466,791 S *	12/2002	Kelleghan	.....	D8/356
D482,269 S *	11/2003	Martello	.....	D8/356
D485,431 S *	1/2004	Hsu	.....	D3/210

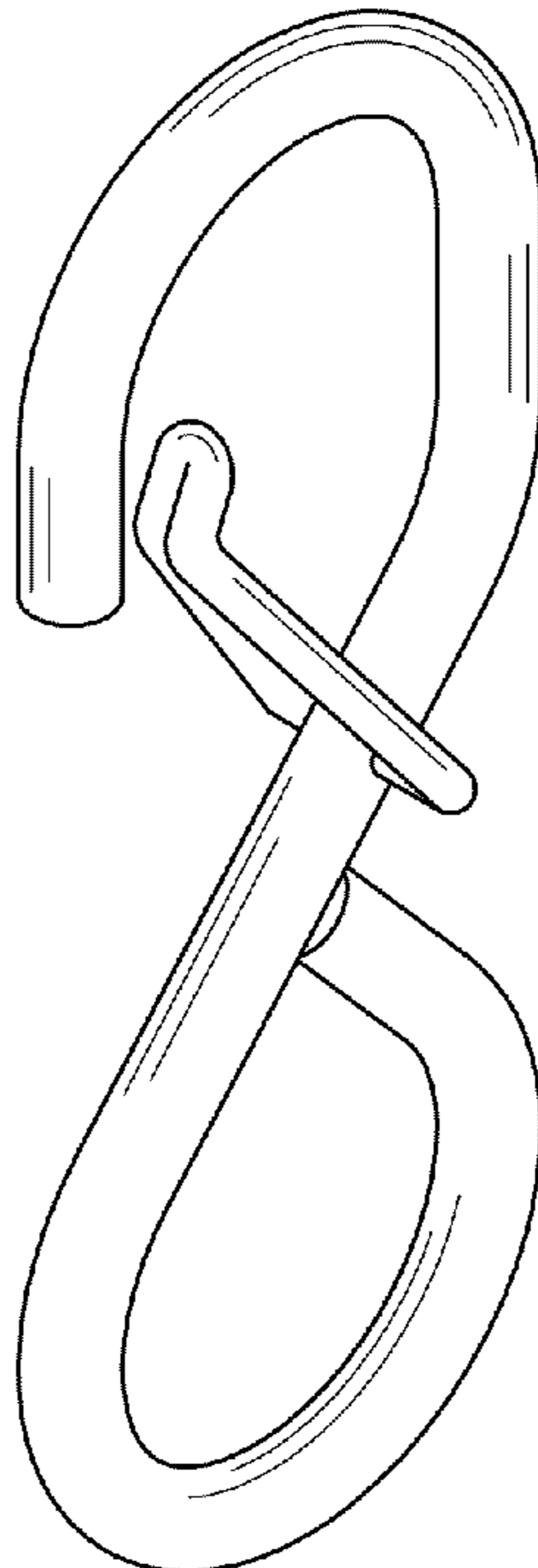
(57) **CLAIM**

The ornamental design for hook for tie down strap, as shown and described.

**DESCRIPTION**

FIG. 1 is an isometric view of a hook for tie down strap showing my new design;  
FIG. 2 is a back elevational view thereof; and,  
FIG. 3 is a side elevational view thereof, showing the gate in an alternate position of use.

**1 Claim, 1 Drawing Sheet**



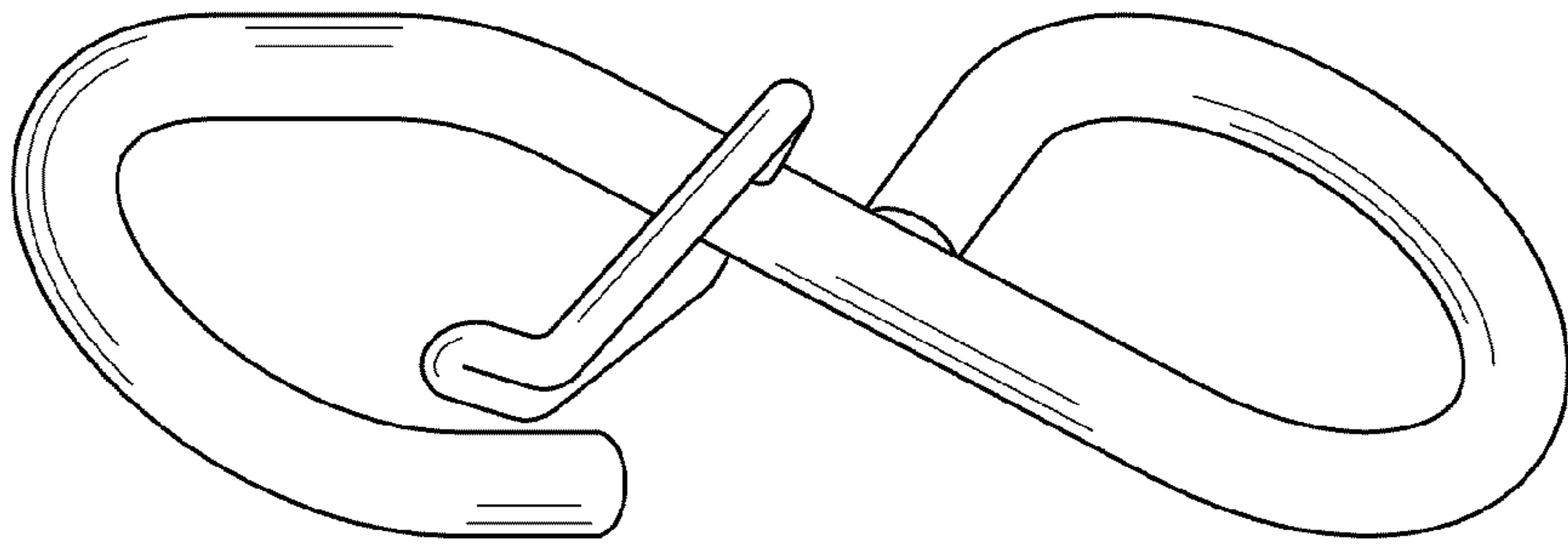


FIG. 1

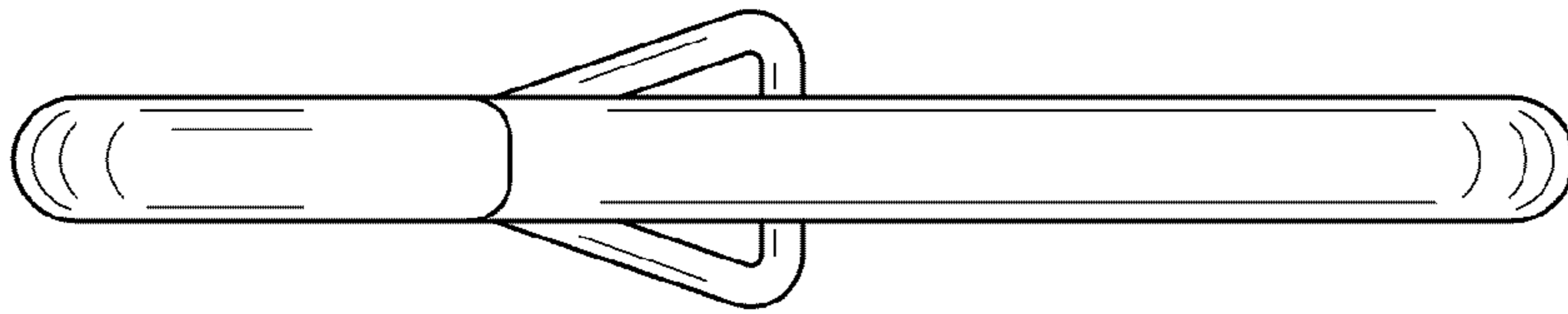


FIG. 2

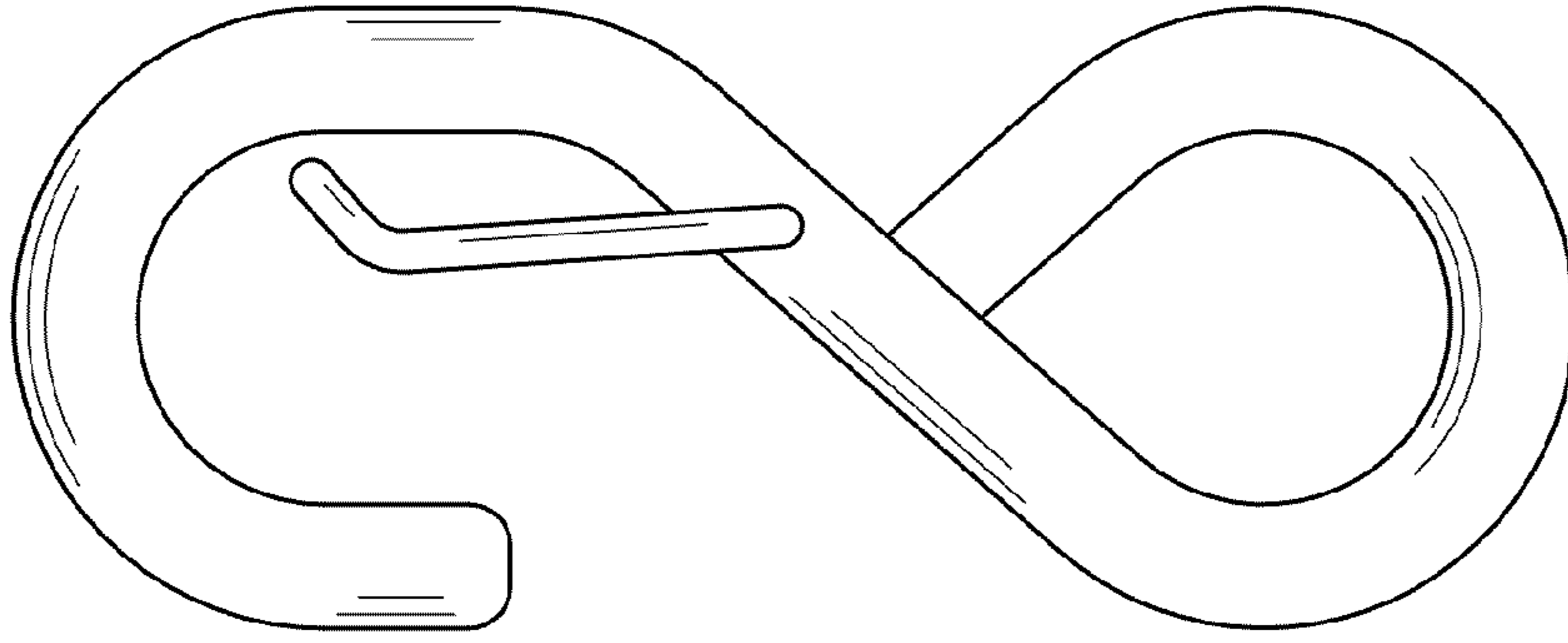


FIG. 3