



US00D755611S

(12) **United States Design Patent**  
**Underwood**

(10) **Patent No.:** **US D755,611 S**  
(45) **Date of Patent:** **\*\* May 10, 2016**

(54) **DOCK SECUREMENT FOR BOATS**

(71) Applicant: **Rock N Underwood**, Chapin, SC (US)

(72) Inventor: **Rock N Underwood**, Chapin, SC (US)

(\*\*) Term: **14 Years**

(21) Appl. No.: **29/525,183**

(22) Filed: **Apr. 28, 2015**

(51) **LOC (10) Cl.** ..... **08-05**

(52) **U.S. Cl.**  
USPC ..... **D8/367**

(58) **Field of Classification Search**  
USPC ..... D8/367, 354, 349, 389; 248/301, 302,  
248/303, 304, 339; 24/132 R; D6/325  
CPC ..... A47G 1/00; F16B 2/00; A63B 27/00  
See application file for complete search history.

(56) **References Cited**

**U.S. PATENT DOCUMENTS**

D226,167	S *	1/1973	Del Ponte	.....	D8/356
6,109,579	A *	8/2000	Huang	.....	B60P 7/0807 248/294.1
D516,898	S *	3/2006	Amy	.....	D8/356
7,118,082	B2 *	10/2006	Brnjac	.....	A47G 25/065 211/106.01
7,429,024	B2 *	9/2008	Boklund-Moran	..	A47G 29/083 16/429
D603,247	S *	11/2009	Harrell	.....	D8/367
D608,188	S *	1/2010	Berkowitz	.....	D8/367
7,681,851	B1 *	3/2010	Osterholt	.....	A47G 25/065 248/308
D668,936	S *	10/2012	Wyatt	.....	D8/367
D698,628	S *	2/2014	Stanley	.....	D8/367
D704,536	S *	5/2014	Porta	.....	D8/356
D715,624	S *	10/2014	Thompson	.....	D8/367
8,974,161	B1 *	3/2015	Hemphill	.....	B60P 7/0807 410/106

2006/0289714 A1\* 12/2006 Boklund-Moran .. A47G 29/083  
248/339  
2015/0165961 A1\* 6/2015 Miller ..... B60P 7/0807  
410/101

**OTHER PUBLICATIONS**

Webpage Bot RoP; from <http://www.boat-rope.com>; dated Jul. 14, 2015.

\* cited by examiner

*Primary Examiner* — Cynthia Underwood

(74) *Attorney, Agent, or Firm* — Michael A. Mann; Nexsen Pruet, LLC

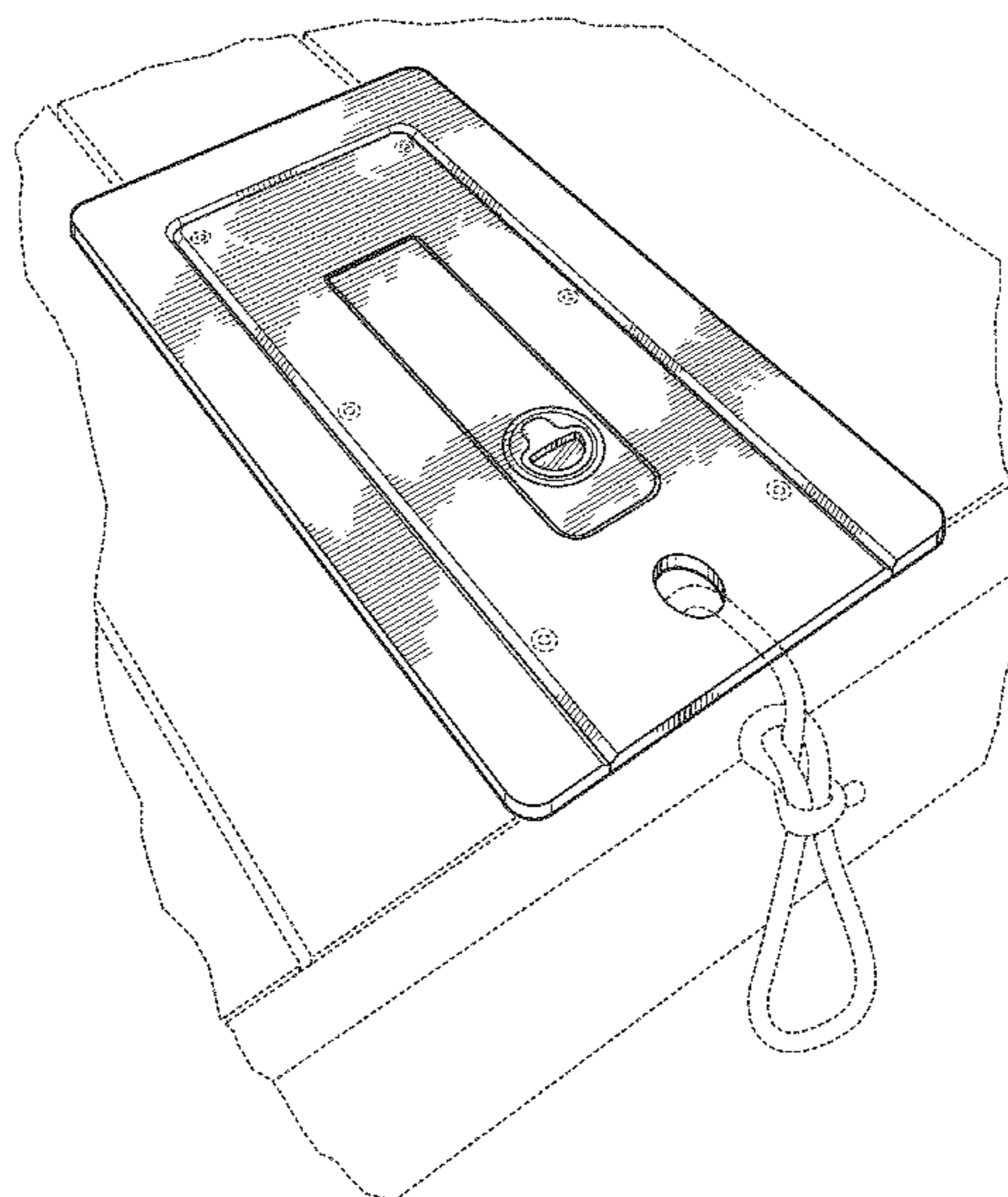
(57) **CLAIM**

The ornamental design for dock securement for boats, as shown and described.

**DESCRIPTION**

FIG. 1 is a left front perspective view of the dock securement for boats, showing my new design;  
FIG. 2 is a top view thereof;  
FIG. 3 is an front end view thereof, the back end being a mirror image thereof;  
FIG. 4 is a cross-sectional view taken across lines 4-4 of FIG. 2 to show the latch recess thereof;  
FIG. 5 is a cross sectional view thereof taken across lines 5-5 of FIG. 2 to show the latch recess and the hole for a tethering rope; and,  
FIG. 6 is a left side view thereof, the right side being a mirror image thereof.  
The broken lines in the FIGURES representing the dock, rope and screw heads form no part of the claimed design. The bottom of the dock securement constitutes no part of my design.

**1 Claim, 4 Drawing Sheets**



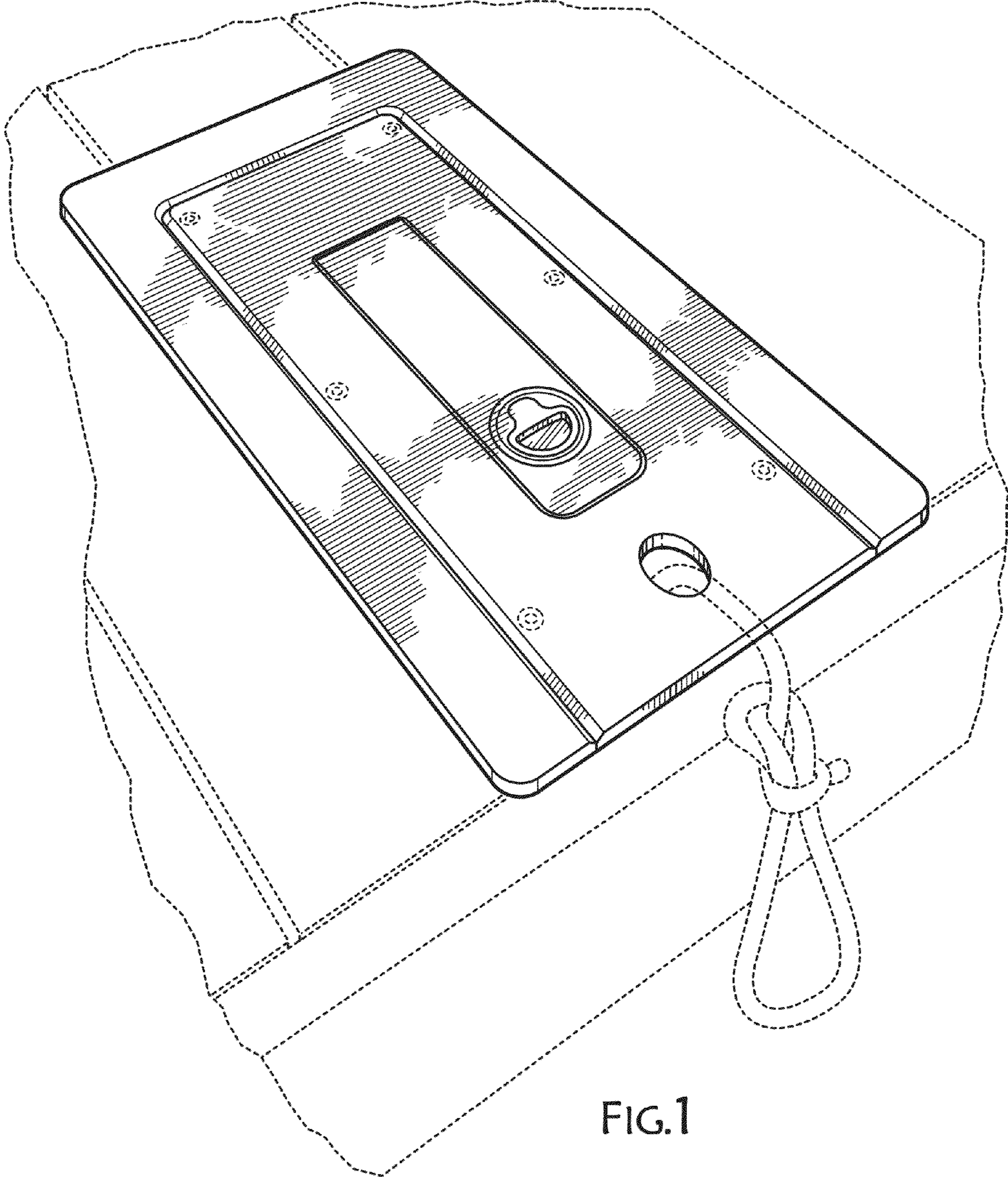


FIG.1

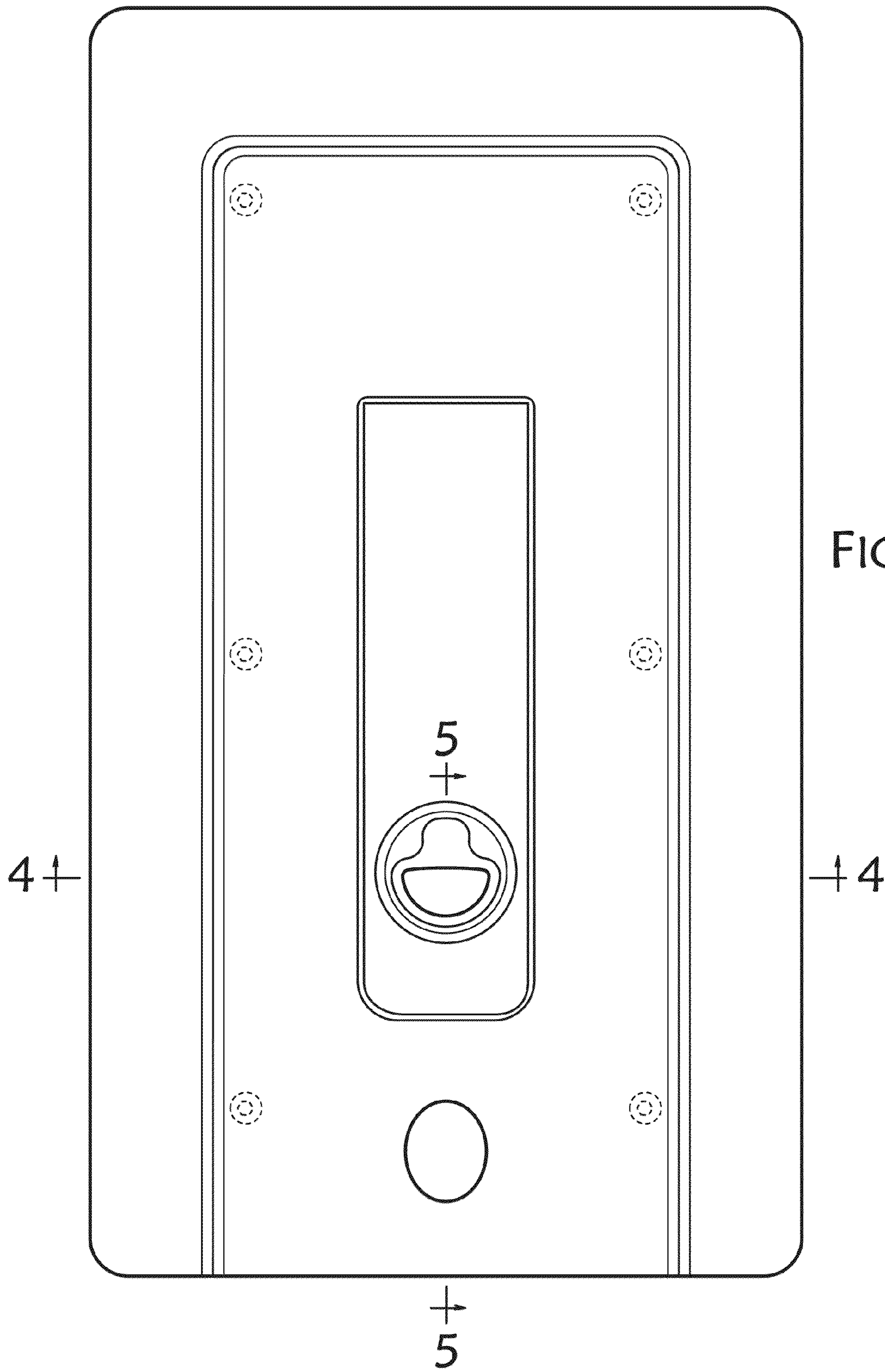


FIG.2



FIG.3



FIG.4



FIG. 5

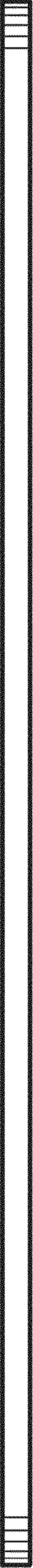


FIG. 6