

US00D755610S

(12) **United States Design Patent**
Thompson et al.

(10) **Patent No.:** **US D755,610 S**
(45) **Date of Patent:** **** May 10, 2016**

- (54) **HOOK**
- (71) Applicant: **3M INNOVATIVE PROPERTIES COMPANY**, St. Paul, MN (US)
- (72) Inventors: **Craig D. Thompson**, Inver Grove Heights, MN (US); **Angela L. Pan**, Woodbury, MN (US)
- (73) Assignee: **3M INNOVATIVE PROPERTIES COMPANY**, St. Paul, MN (US)
- (**) Term: **14 Years**
- (21) Appl. No.: **29/475,497**
- (22) Filed: **Dec. 3, 2013**
- (51) **LOC (10) Cl.** **08-05**
- (52) **U.S. Cl.**
USPC **D8/367**
- (58) **Field of Classification Search**
USPC D8/367, 354, 349, 373, 323, 387, 382, D8/356; 248/301-304, 339, 205.3, 551; D13/132; 24/132 R, 115 K; 411/400, 411/378; 405/259.1
CPC A47G 1/00; A47G 25/00
See application file for complete search history.

D502,221 S	2/2005	Chen	
D505,315 S	5/2005	Snell	
D525,861 S	8/2006	Mackey	
D532,234 S	11/2006	Snell	
D546,170 S	7/2007	Adams	
D569,714 S	5/2008	Stewart	
D583,654 S	12/2008	Uehara	
D584,939 S	1/2009	Snell	
D596,016 S	7/2009	Dretzka	
D596,930 S	7/2009	Gaudron	
D603,246 S	11/2009	Snell	
D603,247 S *	11/2009	Harrell et al. D8/367
D608,185 S	1/2010	Gomez	
D609,995 S	2/2010	Hager	
D619,448 S	7/2010	Shepardson	

(Continued)

FOREIGN PATENT DOCUMENTS

DM	082799-001	2/2014
EM	000078886-0014	9/2003

(Continued)

Primary Examiner — Cynthia Underwood
(74) *Attorney, Agent, or Firm* — Irina Hass

(57) **CLAIM**
The ornamental design for a hook, as shown and described.

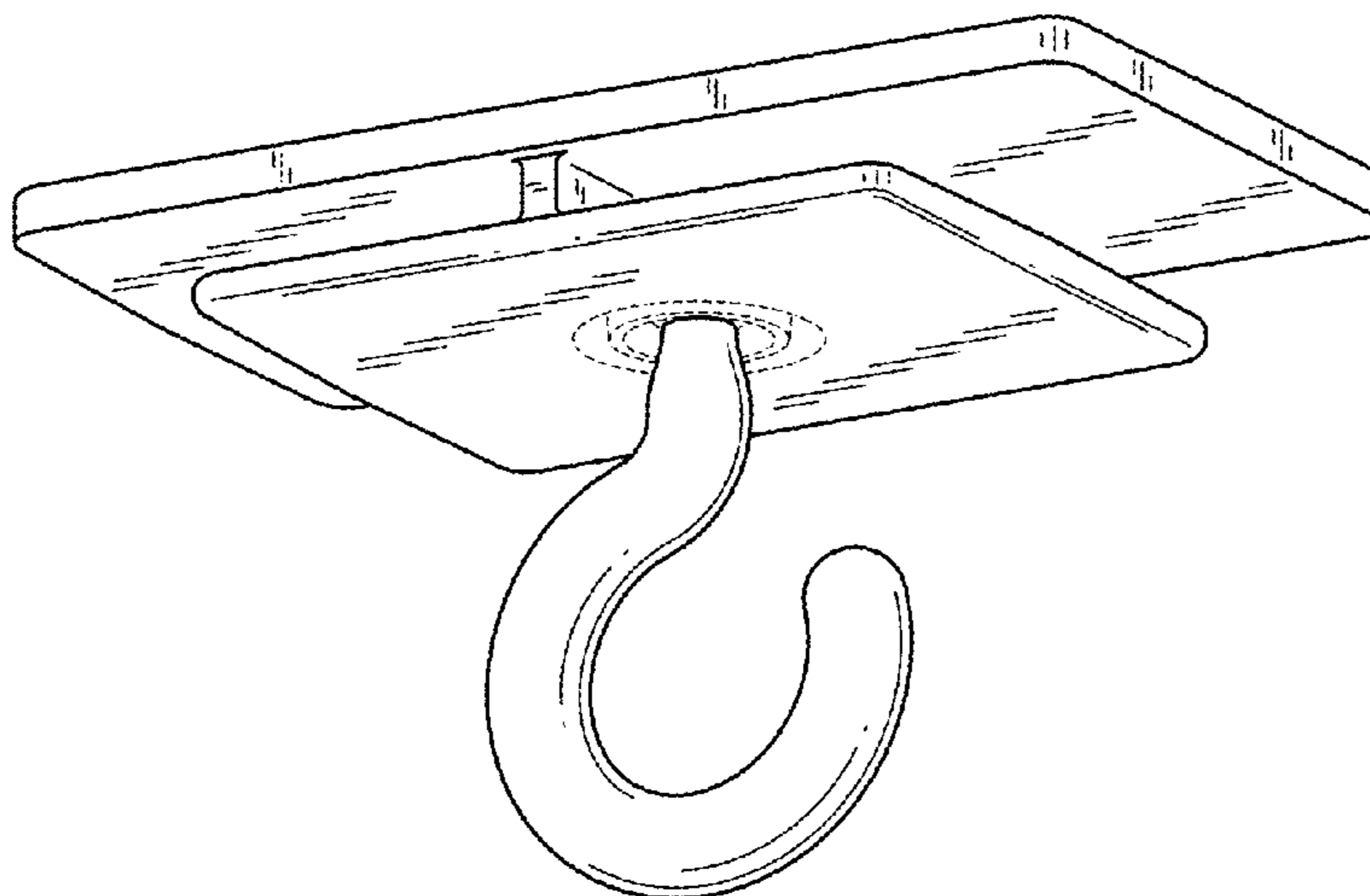
DESCRIPTION

FIG. 1 is a perspective view of a hook showing the new design;
FIG. 2 is a left side view thereof, a right side view being a mirror image thereof;
FIG. 3 is a bottom view thereof;
FIG. 4 is a front view thereof;
FIG. 5 is a rear view thereof; and,
FIG. 6 is a top view thereof.
The portions of the hook in FIGS. 1, 3, and 6 shown in broken lines are included to show features that form no part of the claimed design.

1 Claim, 2 Drawing Sheets

(56) **References Cited**
U.S. PATENT DOCUMENTS

D143,677 S	1/1946	Smith	
D199,321 S	10/1964	Peterson	
4,830,198 A	5/1989	Colquitt	
D327,197 S	6/1992	Belokin	
D345,297 S	3/1994	Kraime	
D346,950 S *	5/1994	Dunn et al. D8/367
D409,426 S	5/1999	Hampshire	
D410,378 S	6/1999	Aganian	
D443,503 S	6/2001	Harvey	
D458,070 S	6/2002	Bennett	
D480,292 S	10/2003	Johansson	
D500,244 S	12/2004	Yoshiguchi	



(56)

References Cited

U.S. PATENT DOCUMENTS

D623,505 S 9/2010 Tu
D626,402 S 11/2010 Chan
D632,950 S 2/2011 McGreevy
D641,228 S 7/2011 Qiblawi
D659,519 S * 5/2012 Berkowitz D8/367
D665,653 S 8/2012 Thompson
D678,041 S 3/2013 Pan
D680,804 S 4/2013 Gilboe
D680,852 S 4/2013 Gilboe
D682,014 S 5/2013 Gilboe
D697,389 S 1/2014 Pan

D699,973 S 2/2014 Pan
D715,624 S * 10/2014 Thompson et al. D8/367
D720,985 S * 1/2015 Veilleux D8/367

FOREIGN PATENT DOCUMENTS

EM 000078886-0015 9/2003
EM 000098694-0017 11/2003
EM 001412910-0001 6/2014
JP D1413538 5/2011
TW 105968 11/1988
TW D148248 7/2012

* cited by examiner

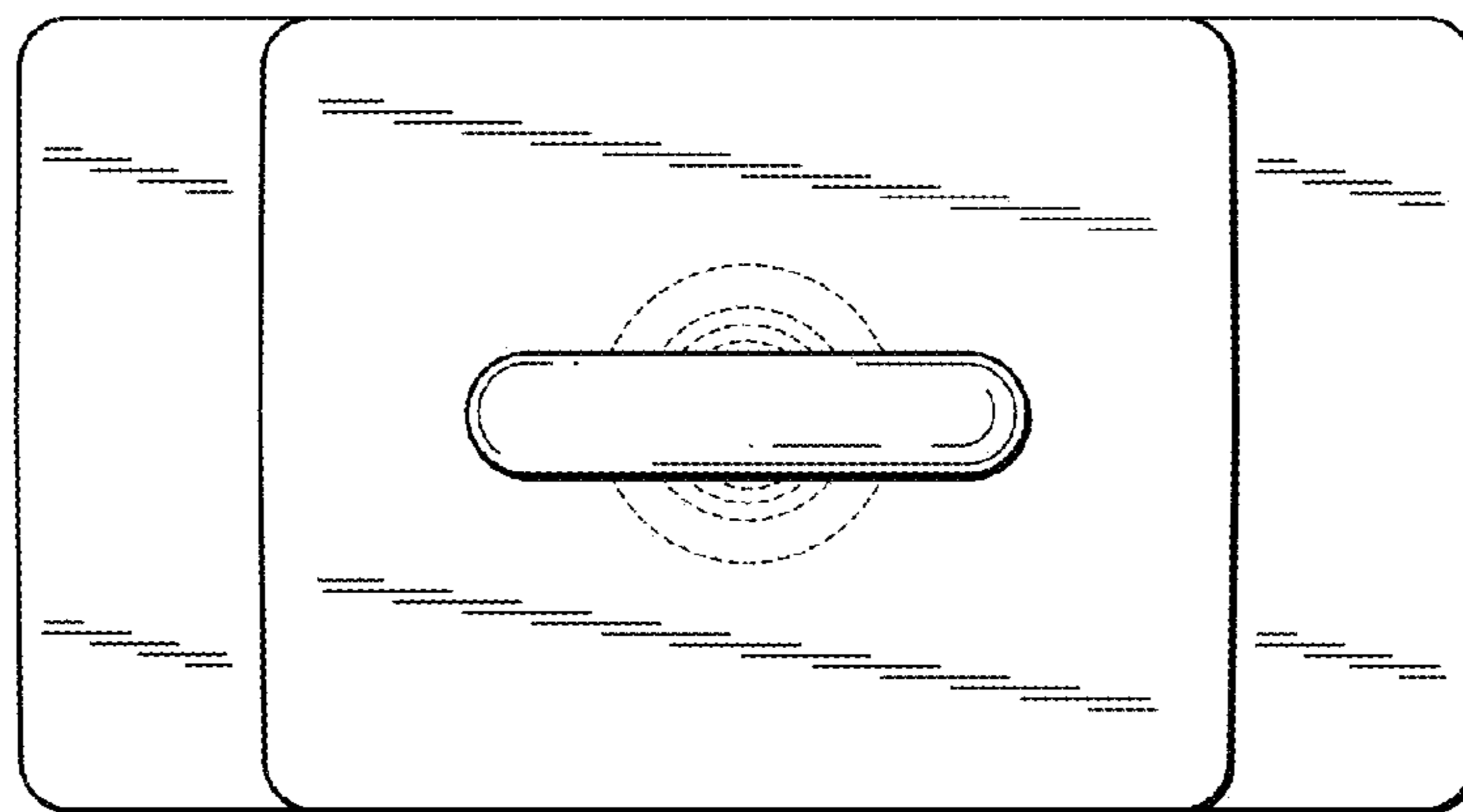
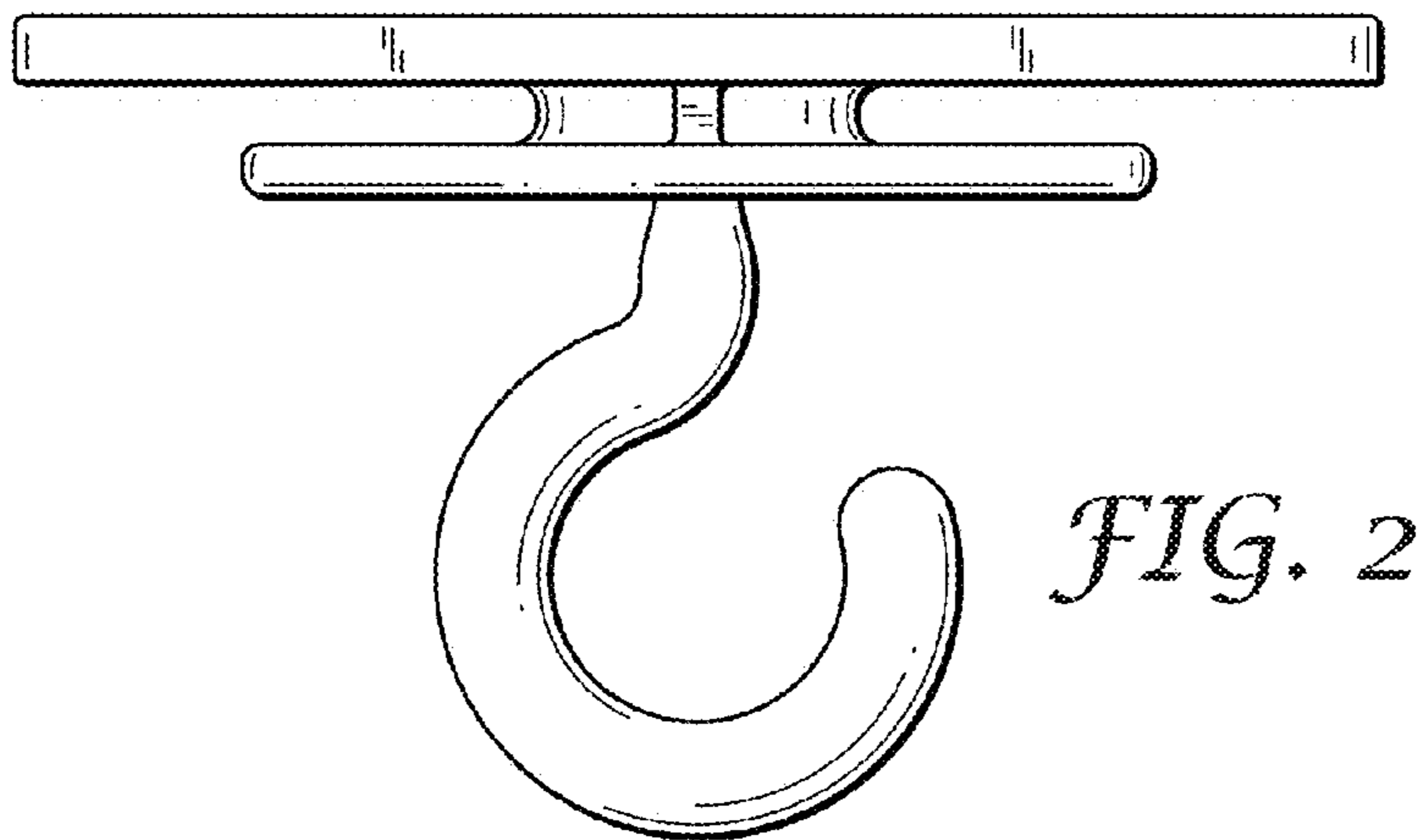
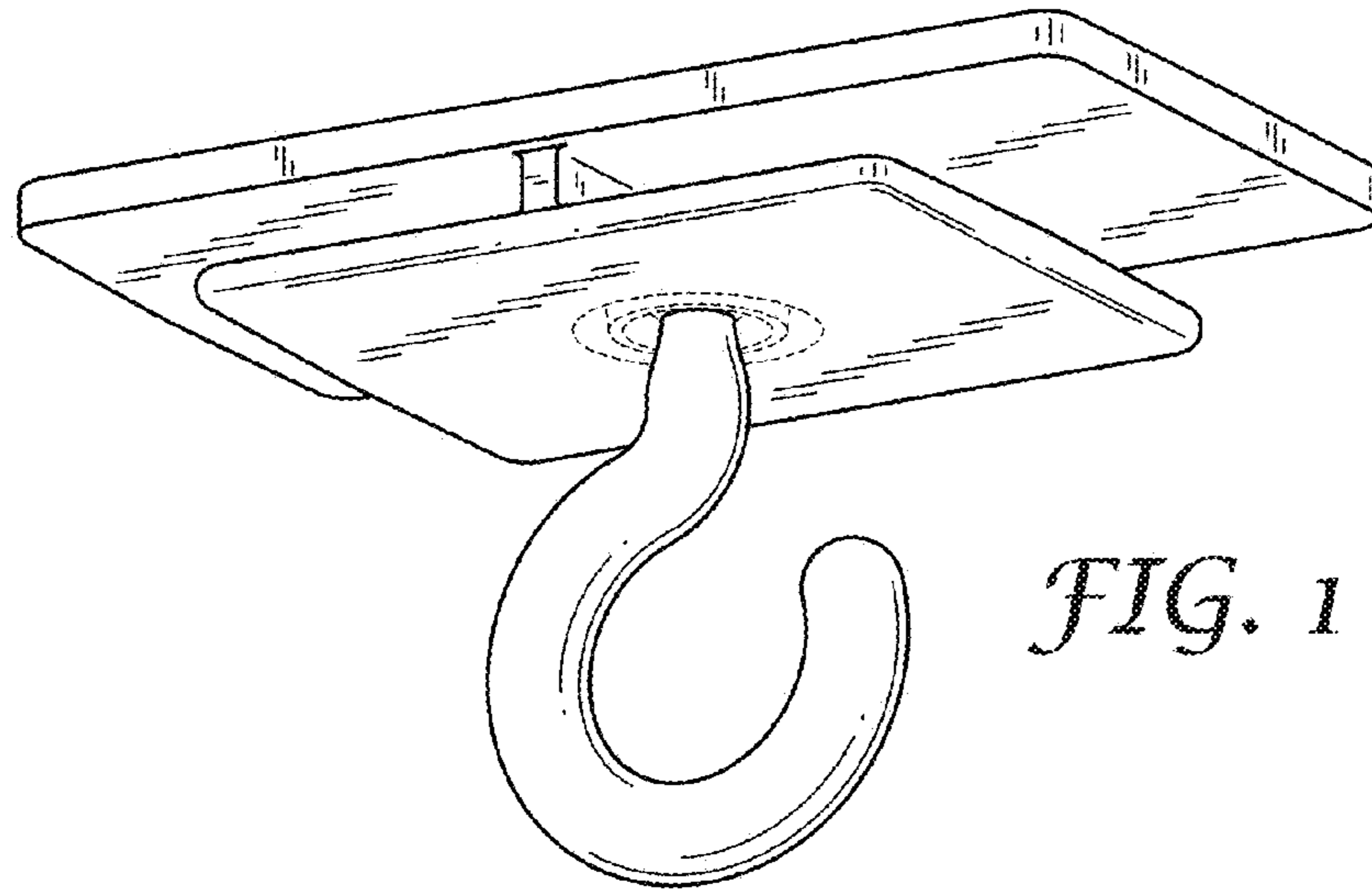


FIG. 3

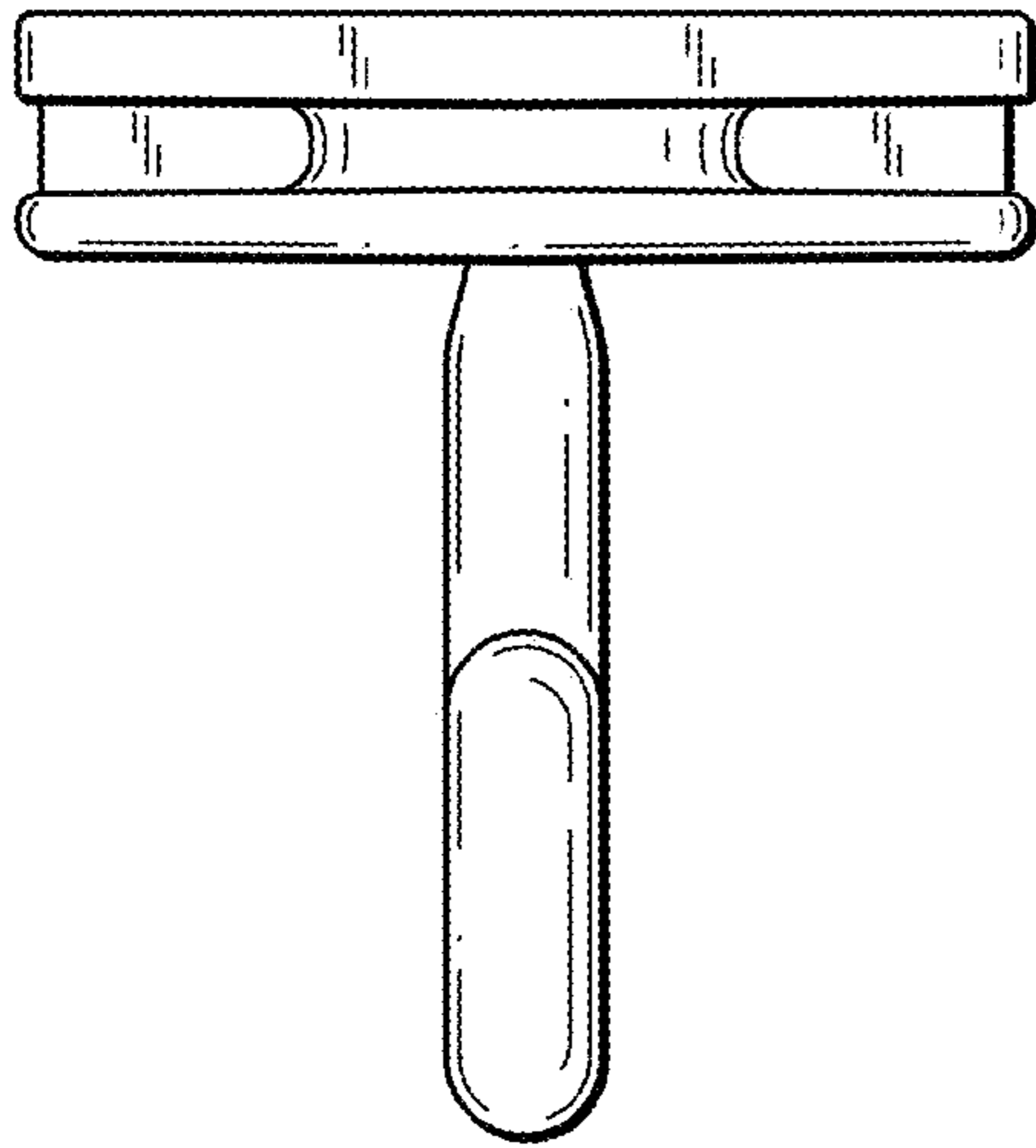


FIG. 4

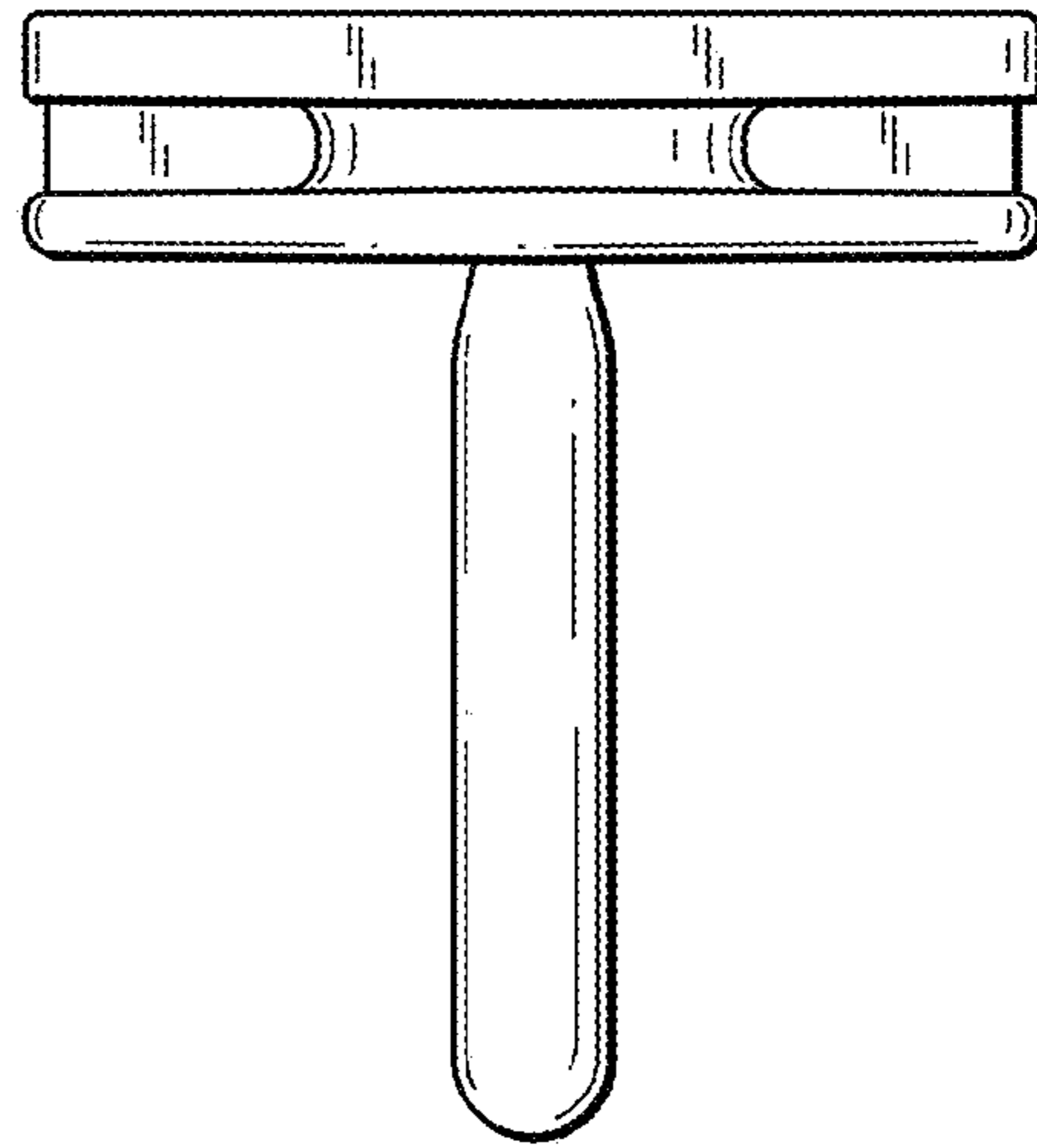


FIG. 5

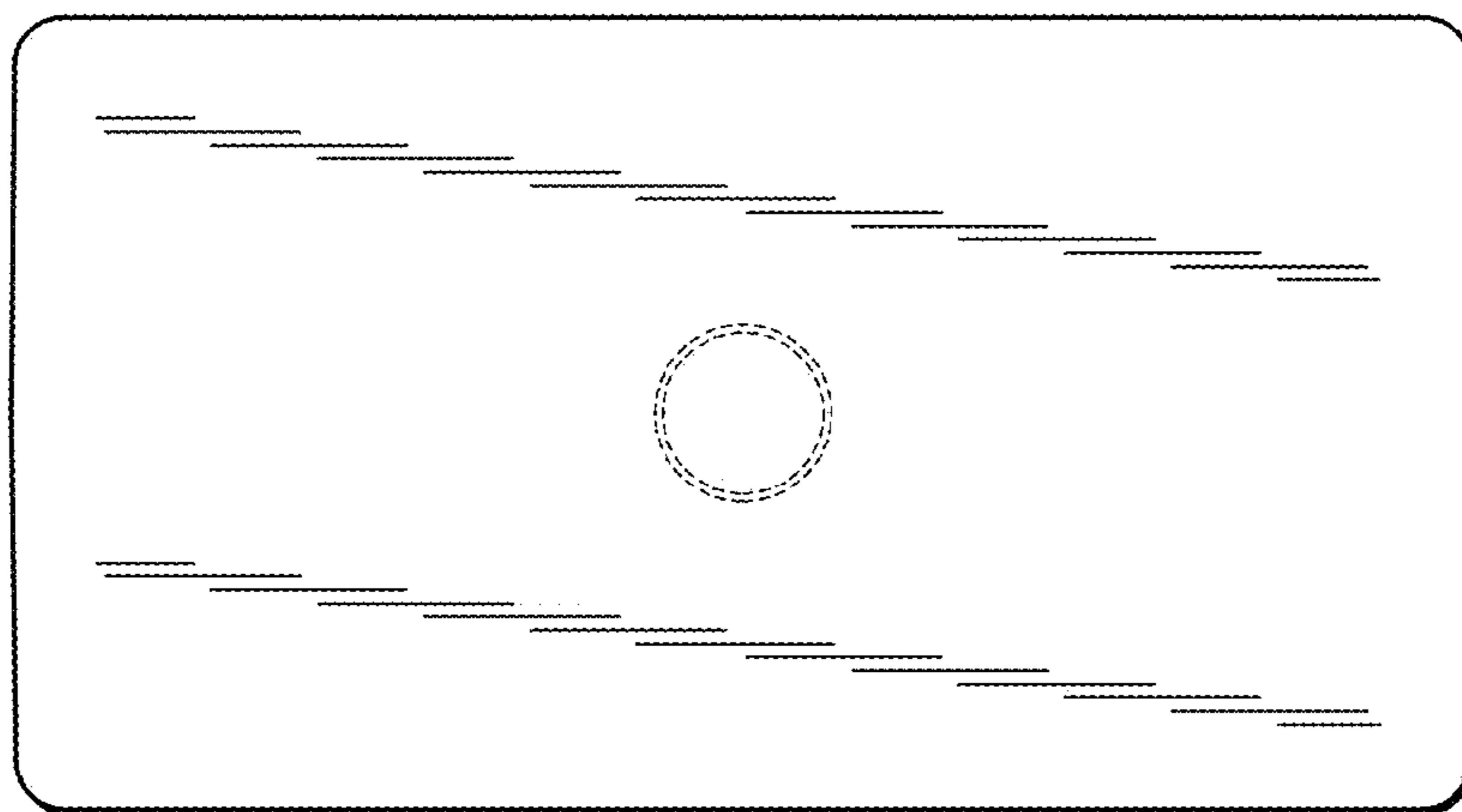


FIG. 6