



US00D755608S

(12) **United States Design Patent**
Lawson

(10) **Patent No.:** **US D755,608 S**

(45) **Date of Patent:** **** May 10, 2016**

(54) **BRACKET**

(71) Applicant: **Peak Innovations Inc.**, Richmond (CA)

(72) Inventor: **Craig Raymond Lawson**, Burnaby (CA)

(73) Assignee: **Peak Innovations Inc.**, Richmond, British Columbia

(**) Term: **14 Years**

(21) Appl. No.: **29/511,603**

(22) Filed: **Dec. 11, 2014**

(51) **LOC (10) Cl.** **08-05**

(52) **U.S. Cl.**
USPC **D8/354**

(58) **Field of Classification Search**
USPC D8/349, 354-355, 373, 380, 382-383, D8/394, 396; D13/102, 118, 149, 154, D13/155, 184, 199; D25/119, 123, 124, D25/125; D21/484, 500, 504
CPC A45C 13/26; A47F 11/10; A47F 5/0068; A61C 15/043; A61C 19/003; A61C 7/14; A61C 7/141; A61C 7/285; A61C 7/30; F21V 21/02; G01F 15/14; G09F 3/204; Y10T 16/4571

See application file for complete search history.

(56) **References Cited**

U.S. PATENT DOCUMENTS

D177,955 S * 6/1956 Rbogast D8/354
3,343,634 A * 9/1967 Goldman A45C 13/26
16/410
D208,957 S * 10/1967 Himler, Sr. D8/354
D209,860 S * 1/1968 Rejfroe D34/35
D210,620 S * 3/1968 Harmsen D13/128
D212,446 S * 10/1968 McCarthy D8/354
D215,141 S * 9/1969 Harmsen D13/128

D218,015 S * 7/1970 Symington D32/31
D222,799 S * 1/1972 Hughes, III D8/354
D239,593 S * 4/1976 Douma D8/354
D262,774 S * 1/1982 Wallace D8/354
D266,144 S * 9/1982 Wallace D8/354
D267,228 S * 12/1982 Channell D8/349
D270,476 S * 9/1983 Black D25/68
D270,572 S * 9/1983 Black D25/68
D272,114 S * 1/1984 Rock D8/323
D272,211 S * 1/1984 Rock D8/323
D275,265 S * 8/1984 Wallace D8/354
D281,344 S * 11/1985 Duke 124/23.1
D308,818 S * 6/1990 Powrzanas D13/183
5,637,805 A * 6/1997 Adams G01F 15/14
73/861.77
5,692,896 A * 12/1997 Pospisil A61C 7/14
206/369
5,857,849 A * 1/1999 Kurz A61C 7/30
433/10
6,572,063 B1 * 6/2003 Gitelman A61C 15/043
248/205.3
D641,924 S * 7/2011 Daniels D26/138
D736,071 S * 8/2015 Wu D8/373
D742,731 S * 11/2015 Zedan D8/394

(Continued)

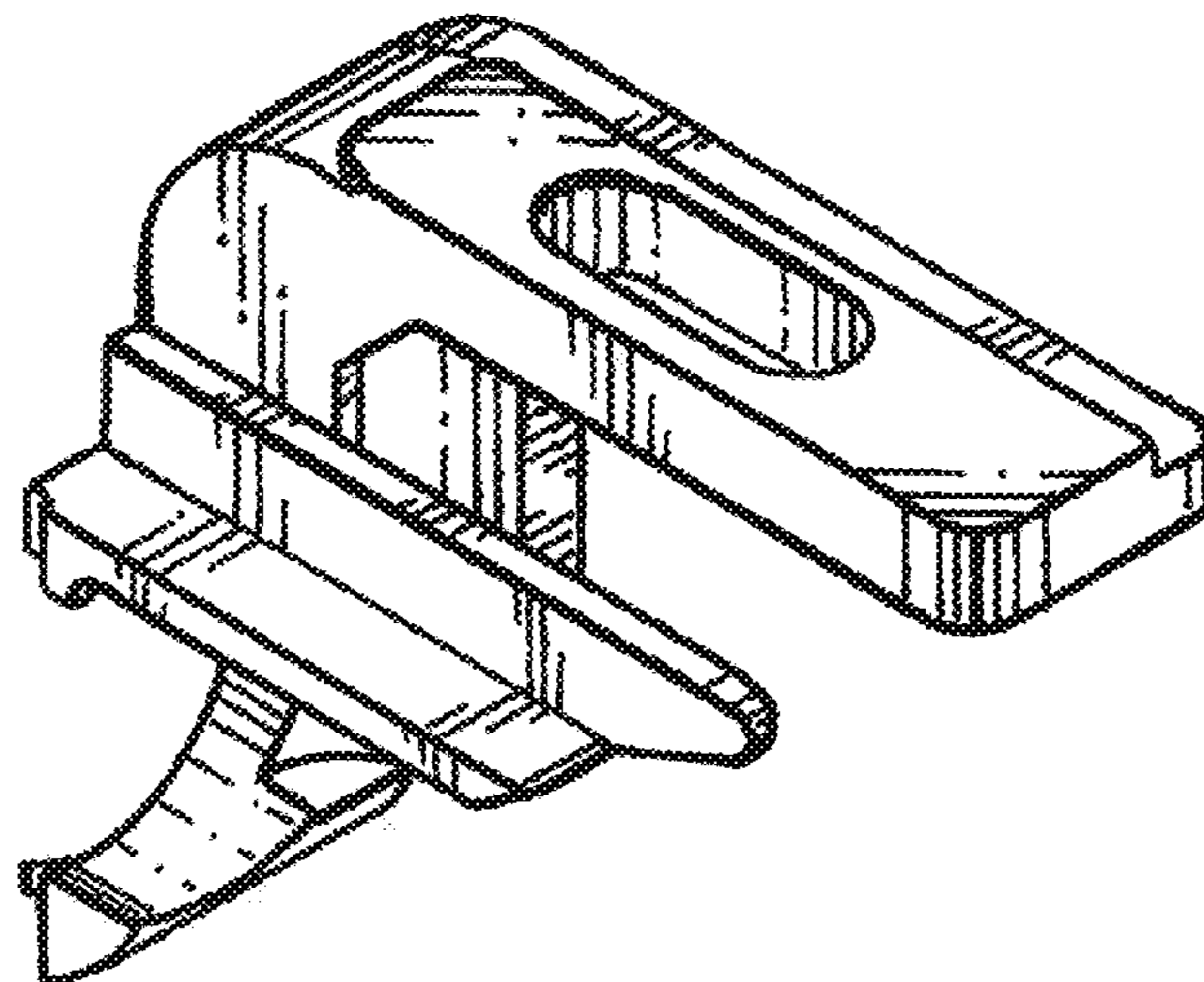
Primary Examiner — Rosemary K Tarcza
Assistant Examiner — Nathaniel D Buckner
(74) *Attorney, Agent, or Firm* — Smiths IP

(57) **CLAIM**
The ornamental design for a bracket, as shown and described.

DESCRIPTION

FIG. 1 is a perspective view of the bracket in accordance with the design;
FIG. 2 is a top view of the bracket shown in FIG. 1;
FIG. 3 is a front view of the bracket shown in FIG. 1;
FIG. 4 is a bottom view of the bracket shown in FIG. 1;
FIG. 5 is a left side view of the bracket shown in FIG. 1;
FIG. 6 is a right side view of the bracket shown in FIG. 1; and,
FIG. 7 is a rear view of the bracket shown in FIG. 1.

1 Claim, 2 Drawing Sheets



US D755,608 S

Page 2

(56)

References Cited

U.S. PATENT DOCUMENTS

D742,969 S * 11/2015 White D20/43 * cited by examiner

D745,380 S * 12/2015 Williams D8/394
2005/0082450 A1 * 4/2005 Barrett A47F 5/0068
248/229.16

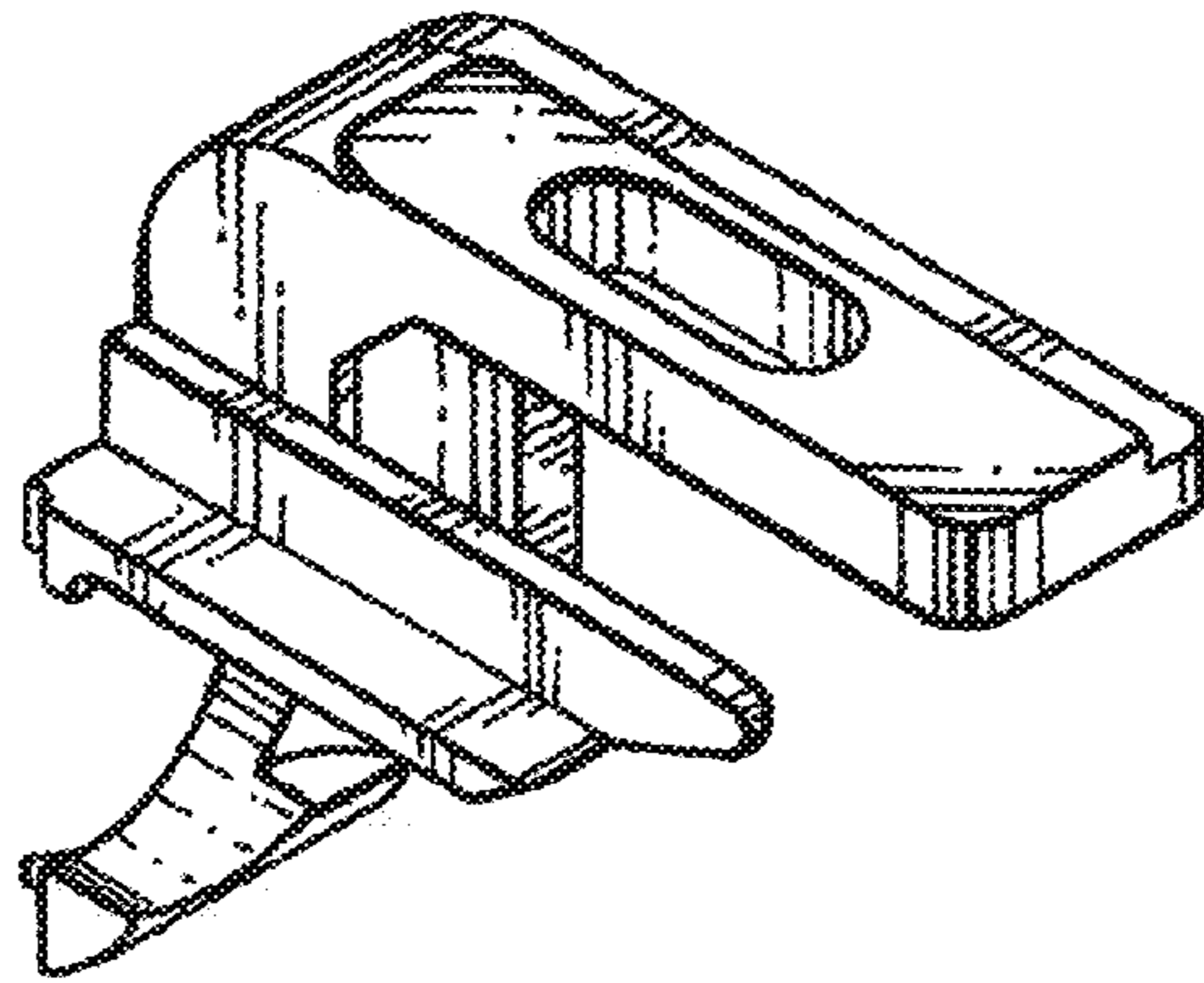


FIG. 1

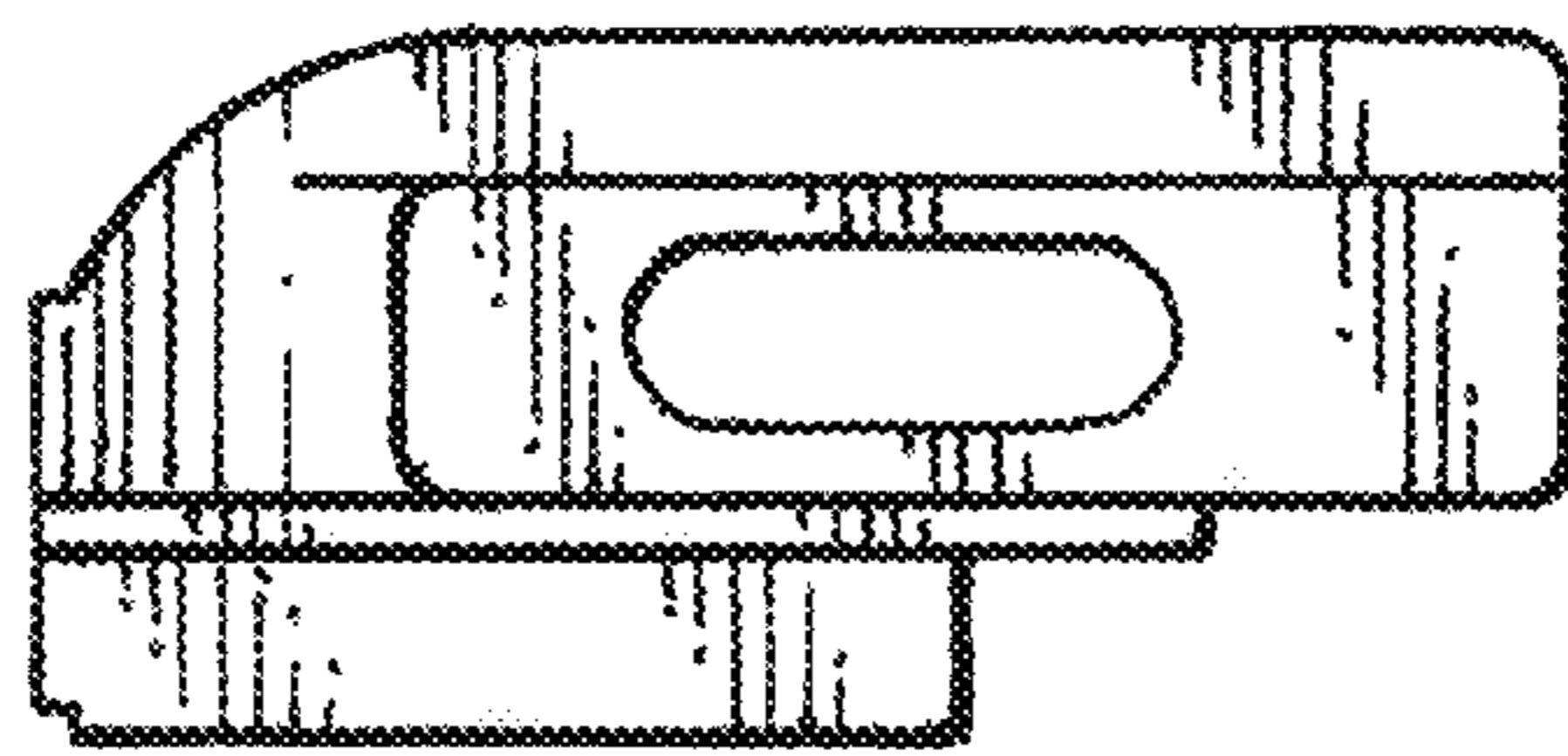


FIG. 2

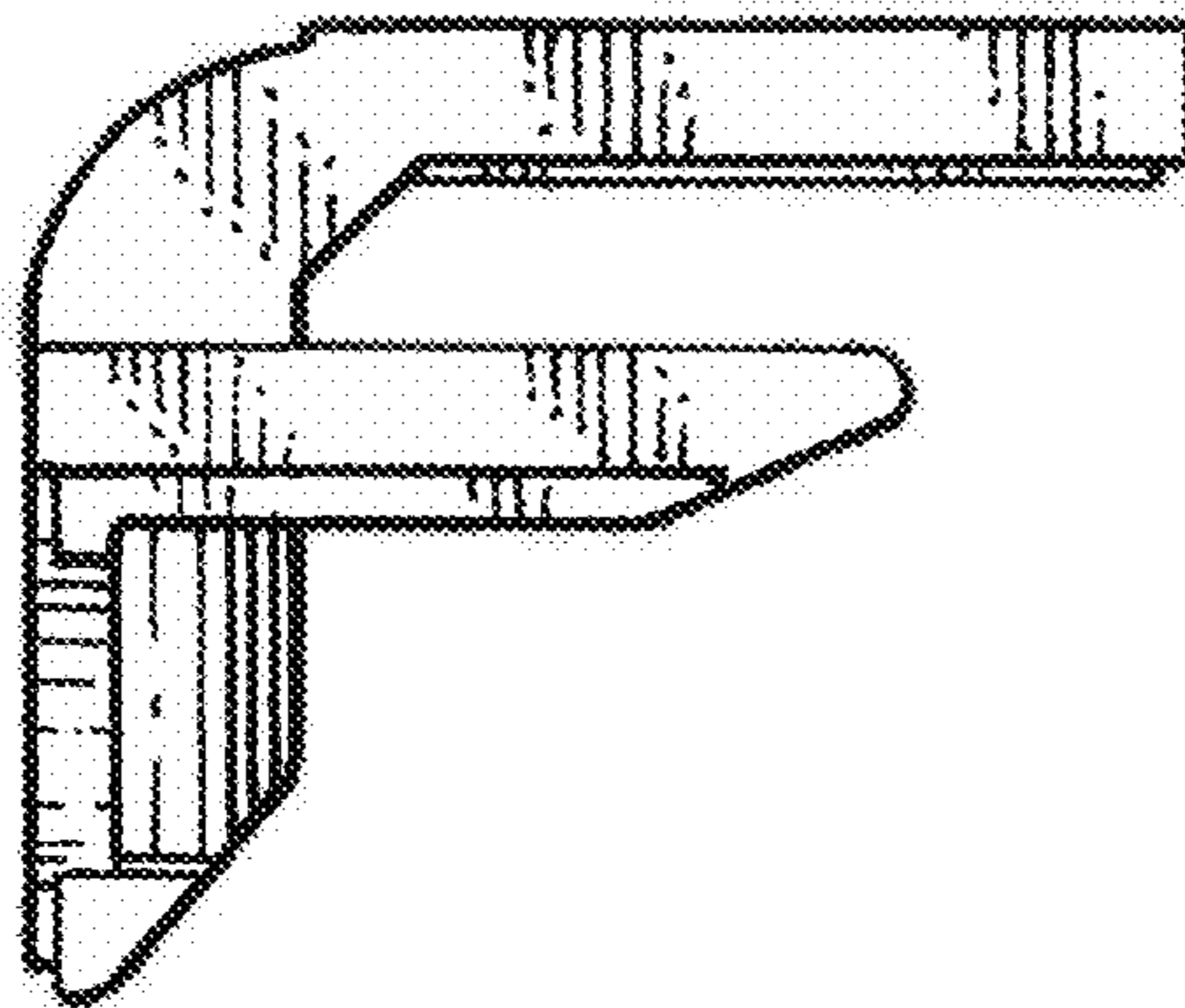


FIG. 3

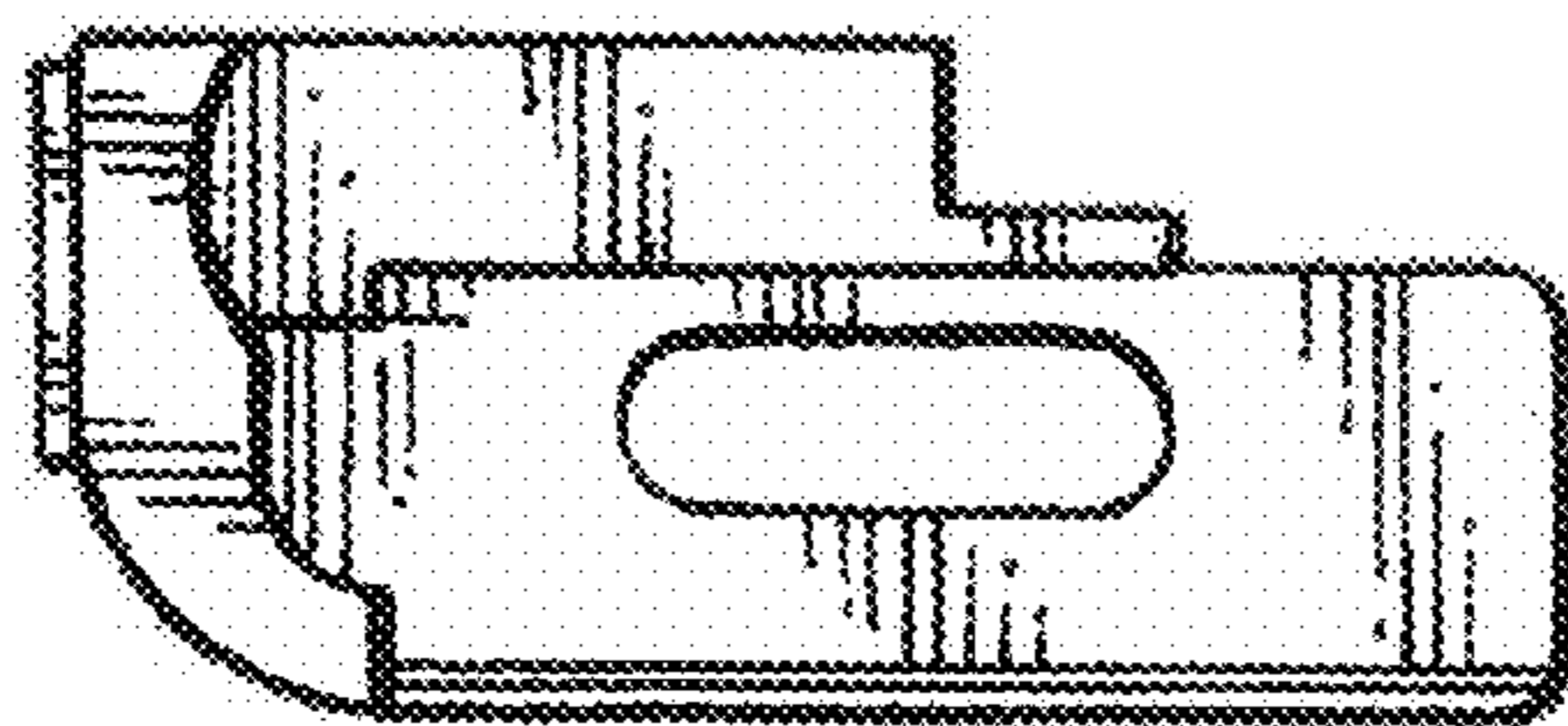


FIG. 4

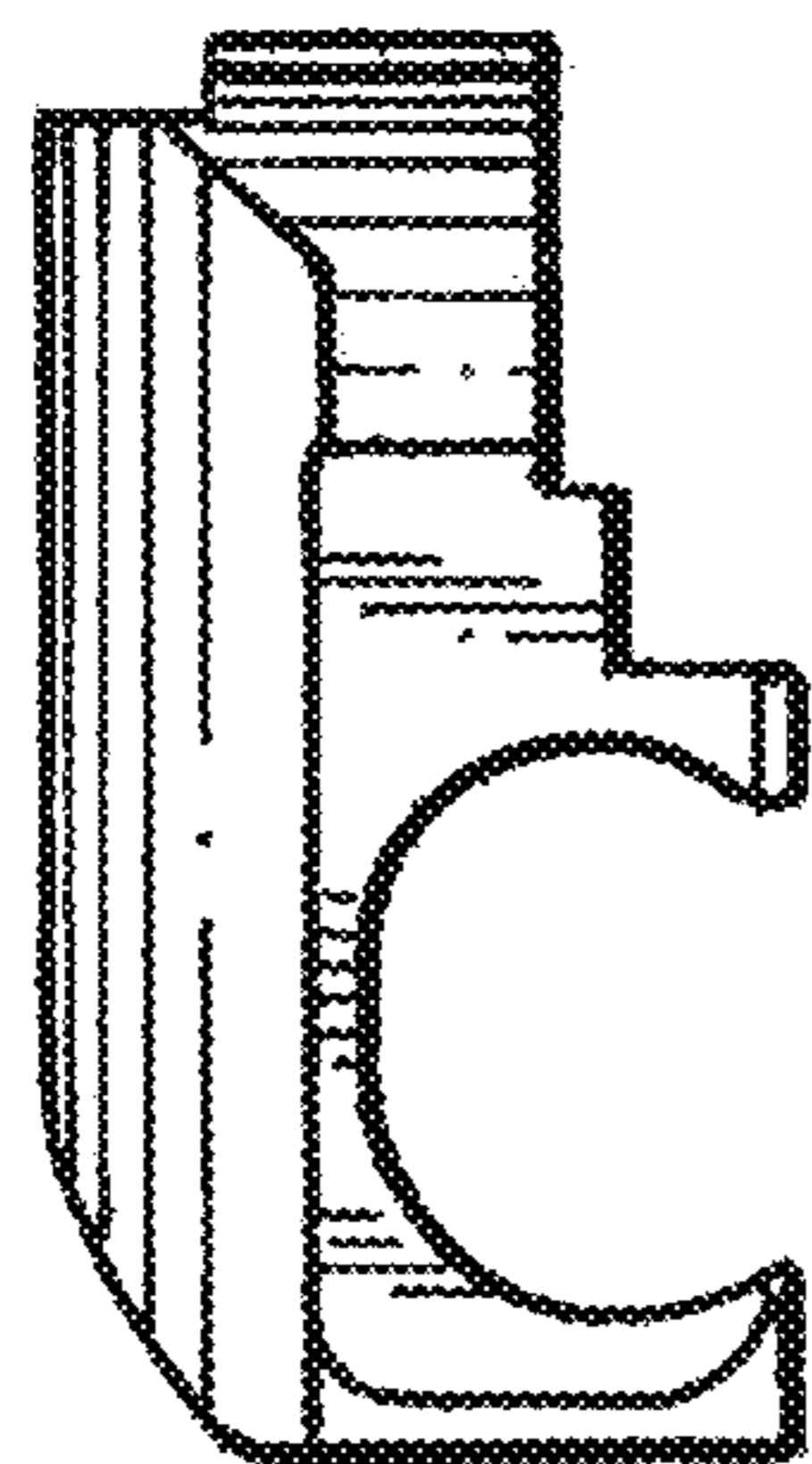


FIG. 5

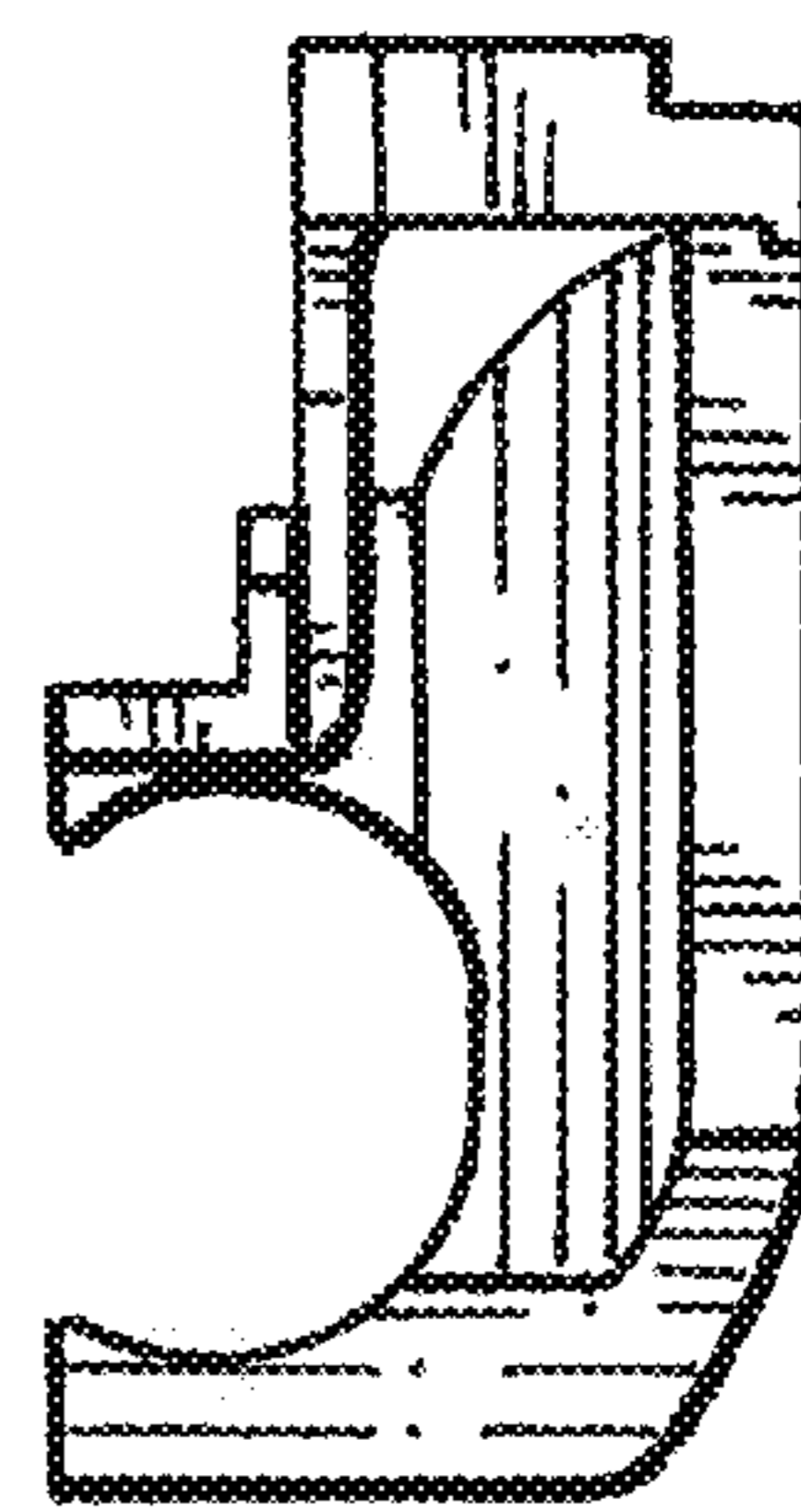


FIG. 6

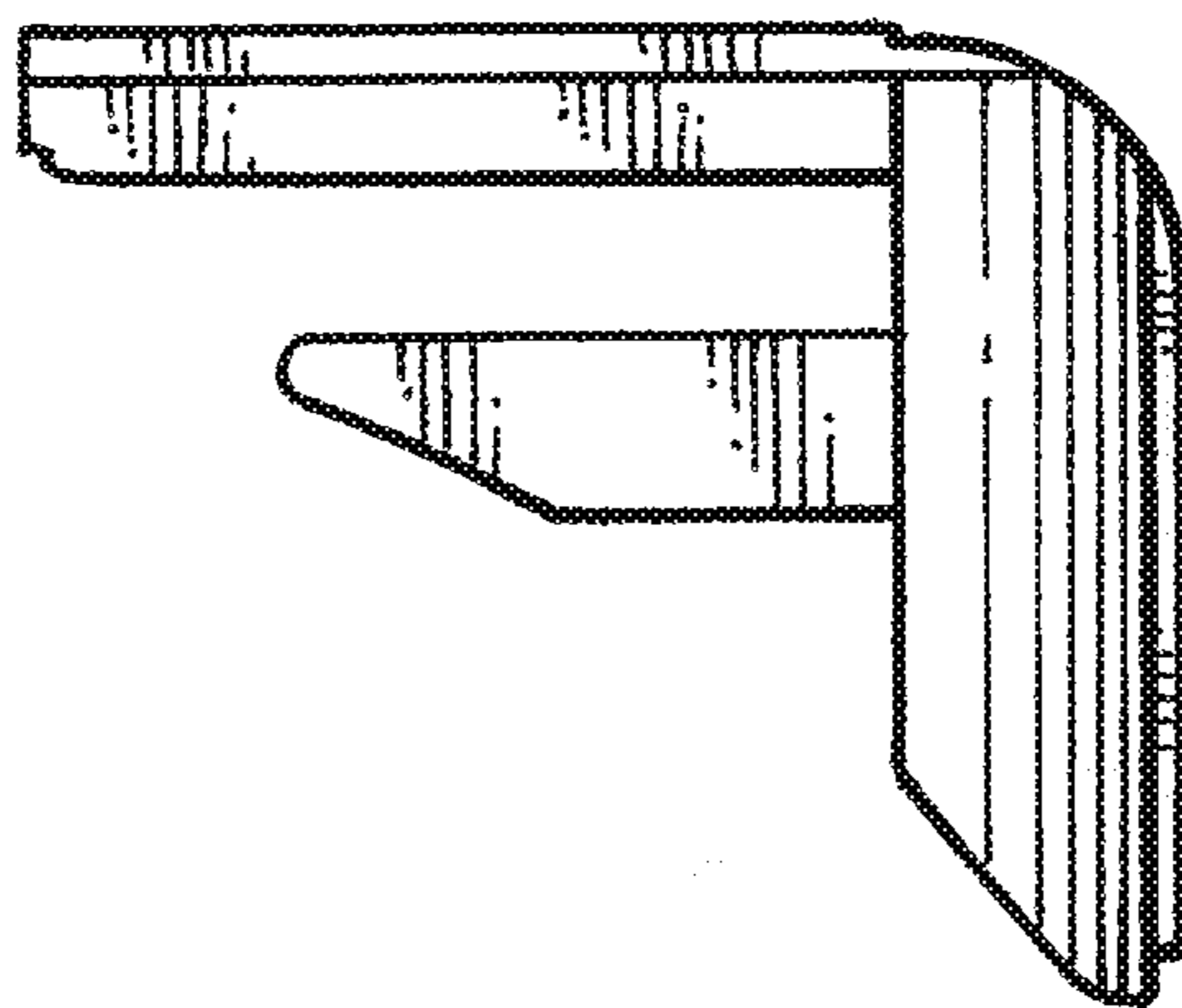


FIG. 7