



US00D755605S

(12) **United States Design Patent**
Kraus et al.

(10) **Patent No.:** **US D755,605 S**

(45) **Date of Patent:** **** May 10, 2016**

- (54) **SMART LOCK FRONT PANEL**
- (71) Applicant: **Yale Security Inc.**, Monroe, NC (US)
- (72) Inventors: **Kevin Kraus**, Monument, CO (US);
Mark Caterino, Prospect, CT (US);
Tiffany Mayo, Prospect, CT (US);
Jason Williams, Atlanta, GA (US)
- (73) Assignee: **YALE SECURITY INC.**, Monroe, NC (US)
- (**) Term: **14 Years**
- (21) Appl. No.: **29/516,570**
- (22) Filed: **Feb. 4, 2015**
- (51) **LOC (10) Cl.** **08-07**
- (52) **U.S. Cl.**
USPC **D8/331; D8/350**
- (58) **Field of Classification Search**
USPC D8/330, 331, 334, 300, 301, 350;
70/14, 20-22, 57, 57.1, 284-286, 314,
70/DIG. 44, 266, 277, 271
CPC E05B 9/00; E05B 9/02; E05B 2009/006;
E05B 49/00
See application file for complete search history.

7,984,631 B2 * 7/2011 Case E05B 15/02
70/278.1
D737,657 S * 9/2015 Nadgouda D8/331
D738,186 S * 9/2015 Nadgouda D8/331

OTHER PUBLICATIONS

Kwikset Corporation; "Kevo Installation and User Guide," 2014, 4 Pages.
Design U.S Appl. No. 29/449,541, filed Mar. 15, 2013.

* cited by examiner

Primary Examiner — Prabhakar Deshmukh
(74) *Attorney, Agent, or Firm* — Steven B. Phillips; Moore & Van Allen PLLC

(57) **CLAIM**

We claim the ornamental design for a smart lock front panel, as shown and described.

DESCRIPTION

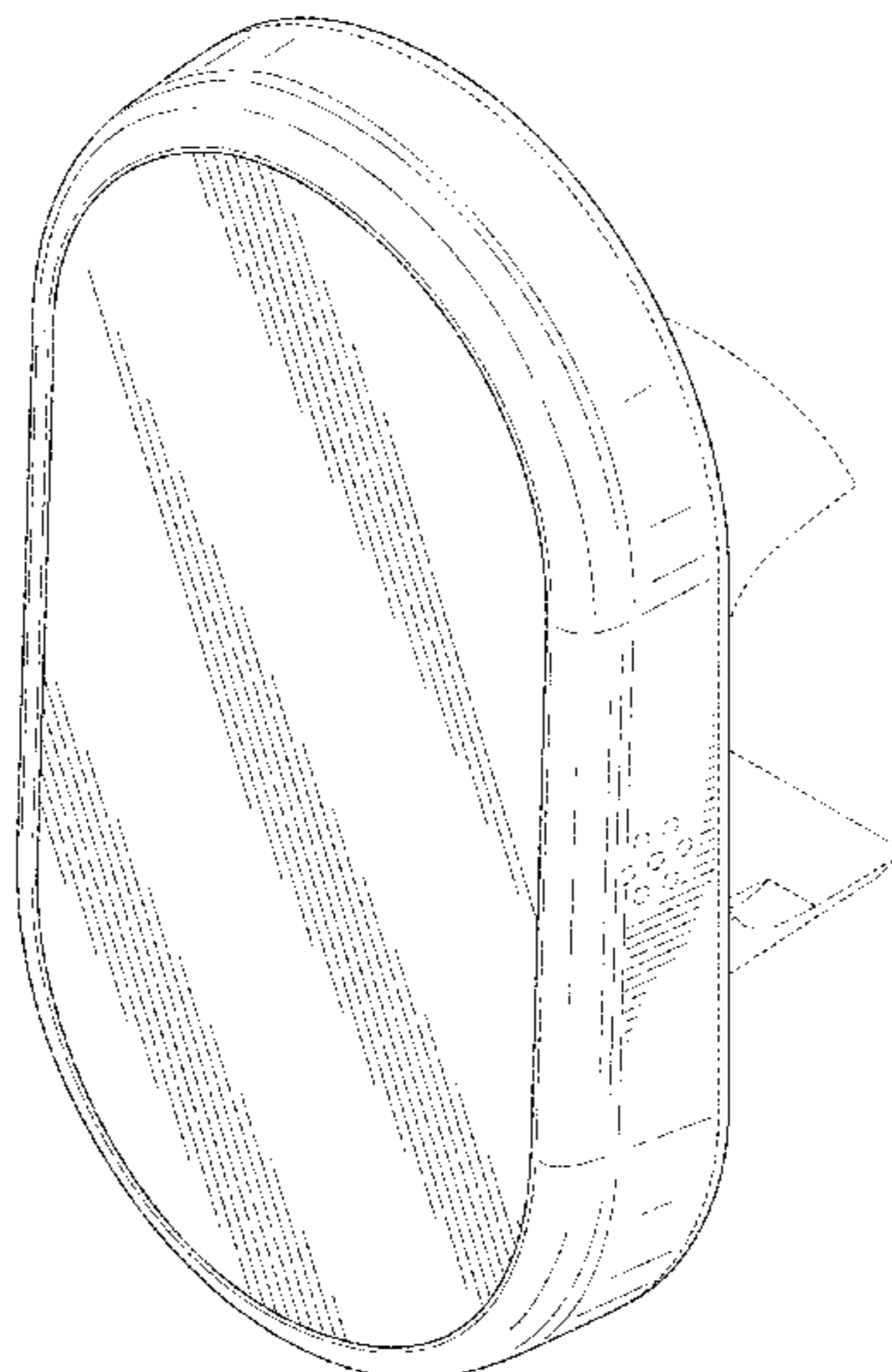
FIG. 1 is a perspective view of a smart lock front panel showing our new design;
 FIG. 2 is a front elevational view thereof;
 FIG. 3 is a rear elevational view thereof;
 FIG. 4 is a left side elevational view thereof;
 FIG. 5 is a right side elevational view thereof;
 FIG. 6 is a top plan view thereof;
 FIG. 7 is a bottom plan view thereof;
 FIG. 8 is a perspective view a second embodiment of a smart lock front panel;
 FIG. 9 is a front elevational view of FIG. 8;
 FIG. 10 is a rear elevational view of FIG. 8;
 FIG. 11 is a left side elevational of FIG. 8;
 FIG. 12 is a right side elevational of FIG. 8;
 FIG. 13 is a top plan view of FIG. 8; and,
 FIG. 14 is a bottom plan view of FIG. 8.
 The broken lines indicate unclaimed portions and form no part of the claimed design.

1 Claim, 12 Drawing Sheets

(56) **References Cited**

U.S. PATENT DOCUMENTS

3,041,720	A *	7/1962	Pantas	E05B 15/02 428/542.2
D271,374	S	11/1983	Butts		
D318,214	S *	7/1991	Fleming	D8/301
5,433,333	A *	7/1995	Martell	E04H 12/003 220/243
D365,976	S *	1/1996	Chiu	D8/301
D423,911	S *	5/2000	Dagley	D8/352
D437,771	S *	2/2001	Barnes	D8/352
D494,841	S *	8/2004	Moon	D8/352
D513,469	S *	1/2006	Gao	D8/350
7,091,429	B2 *	8/2006	Case	E05B 15/02 200/314



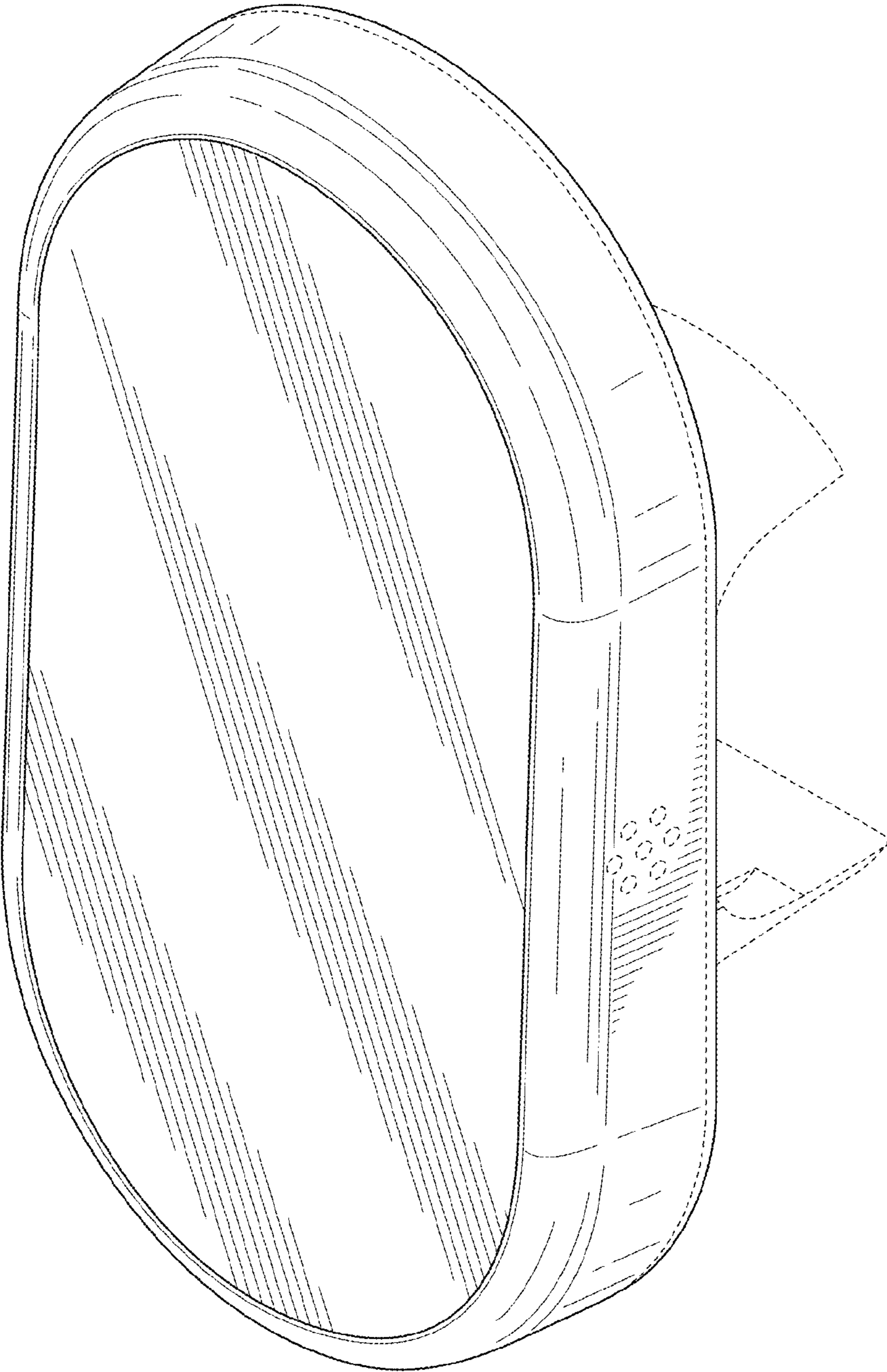


FIG. 1

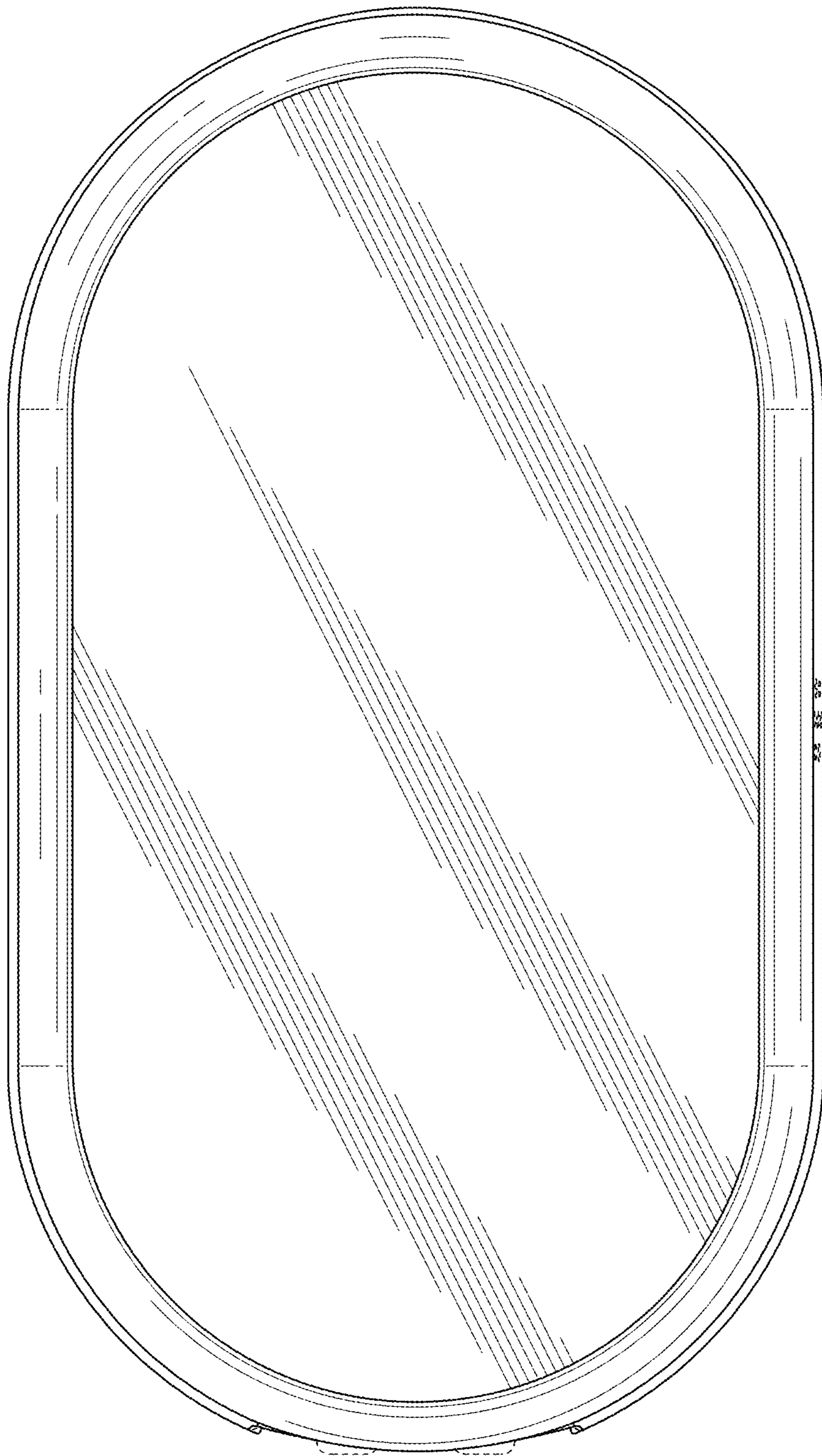


FIG. 2

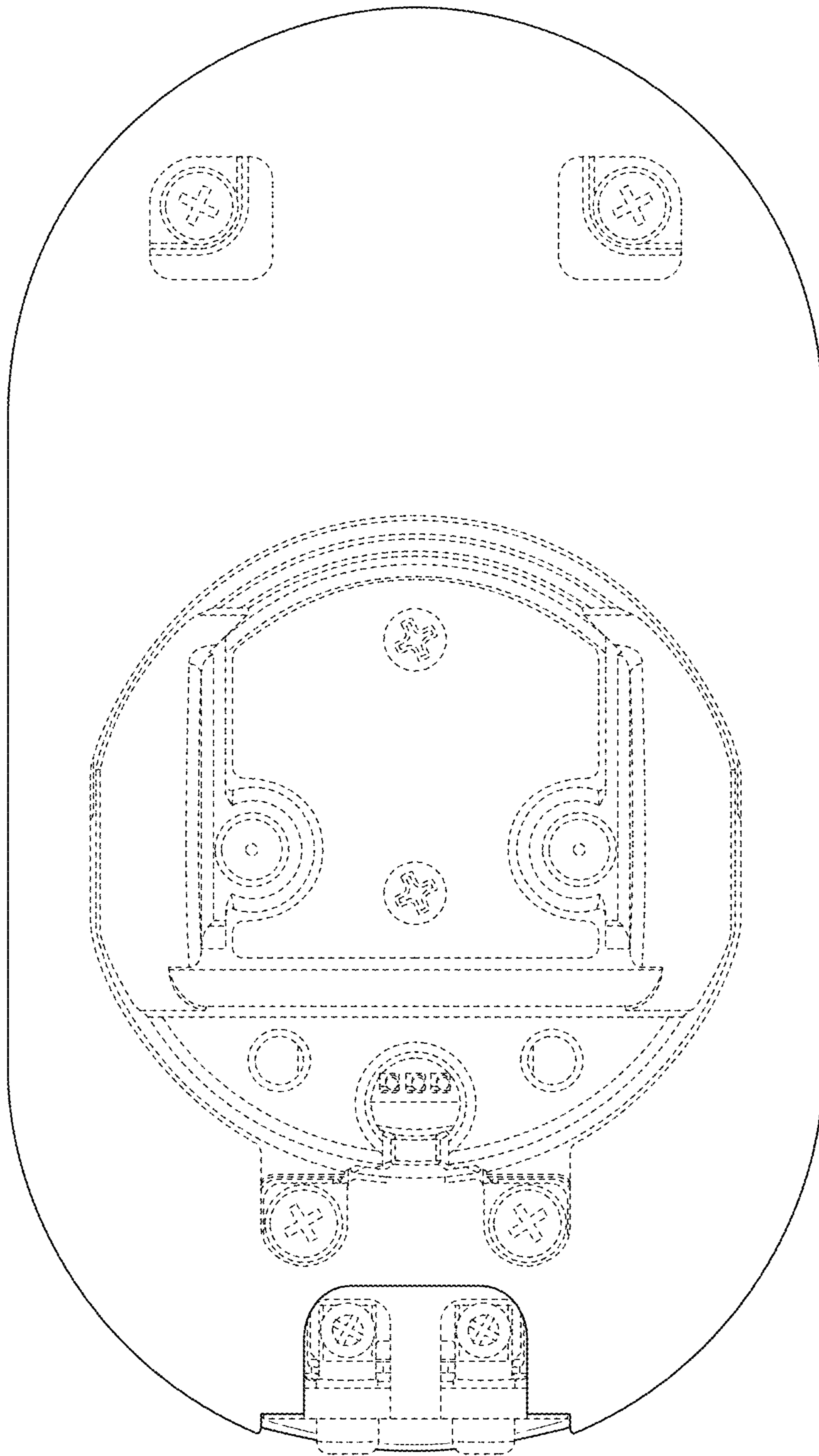


FIG. 3

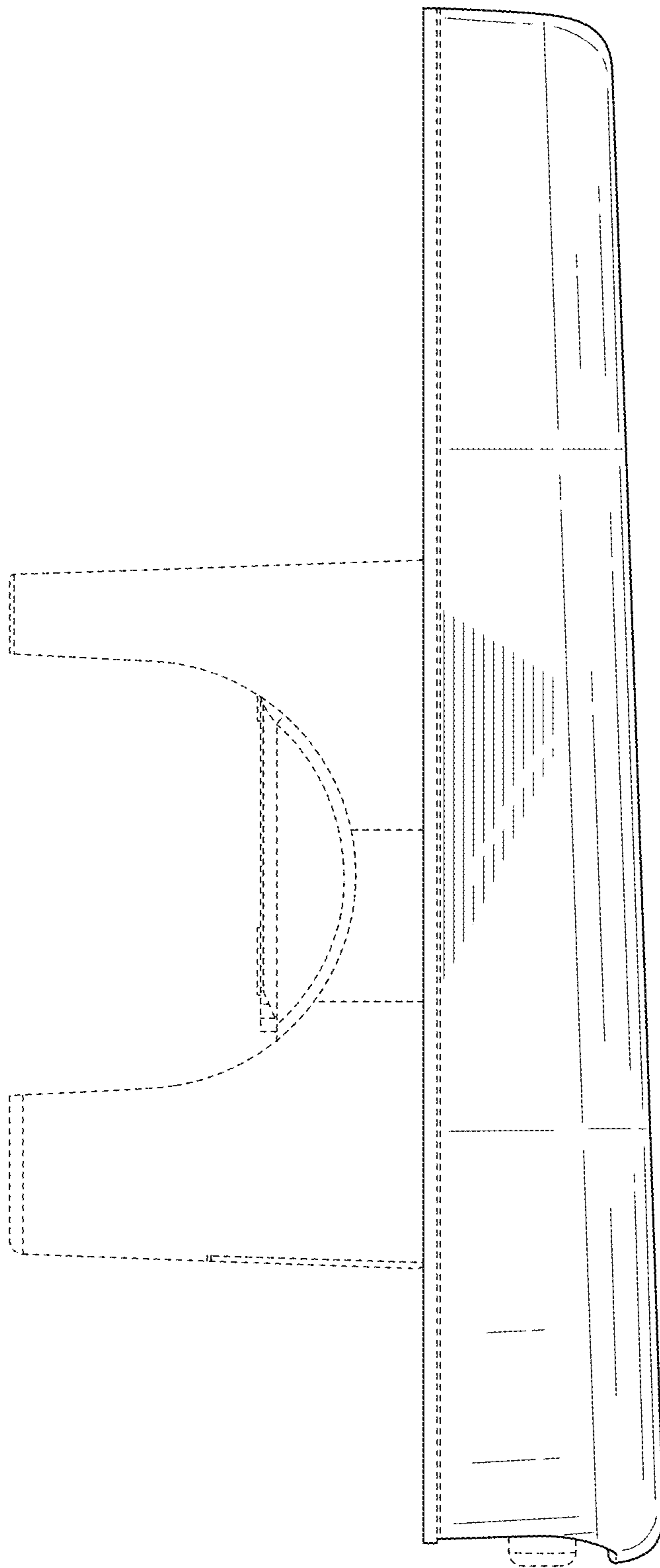


FIG. 4

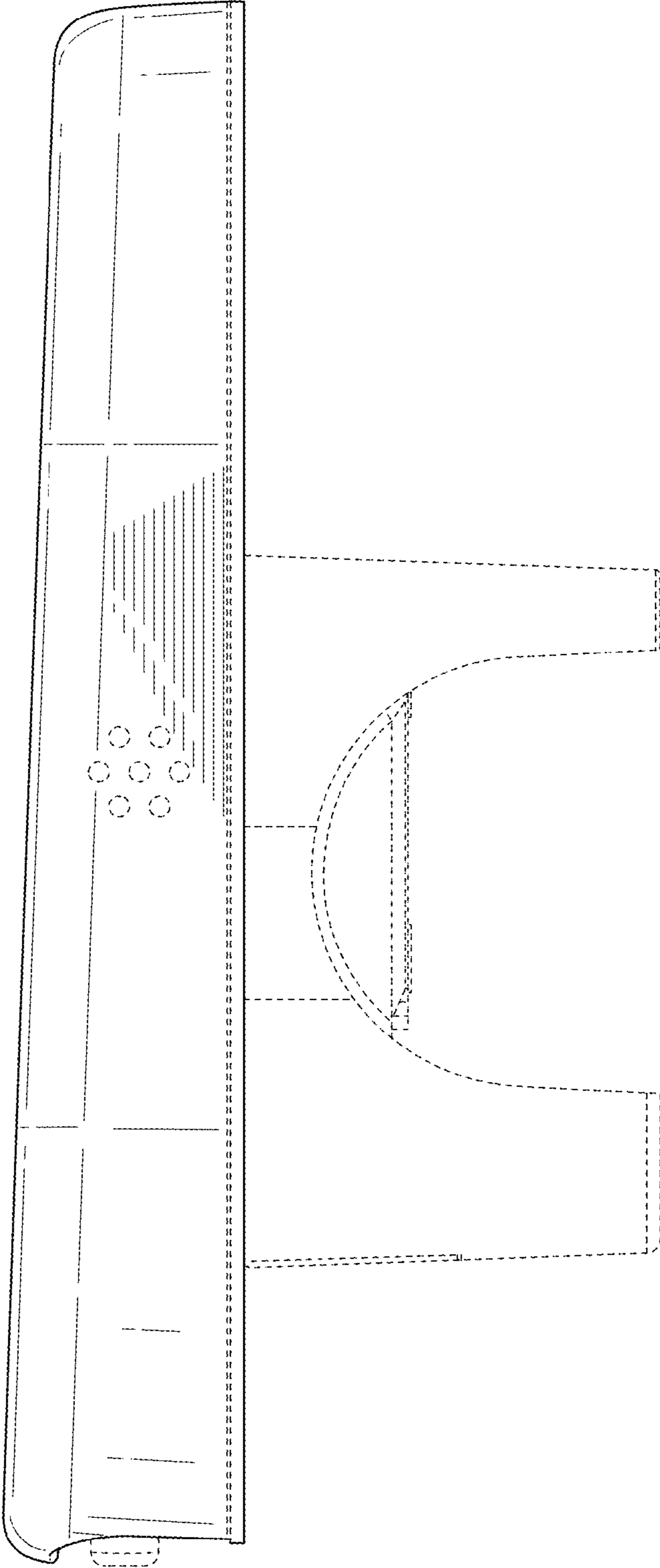


FIG. 5

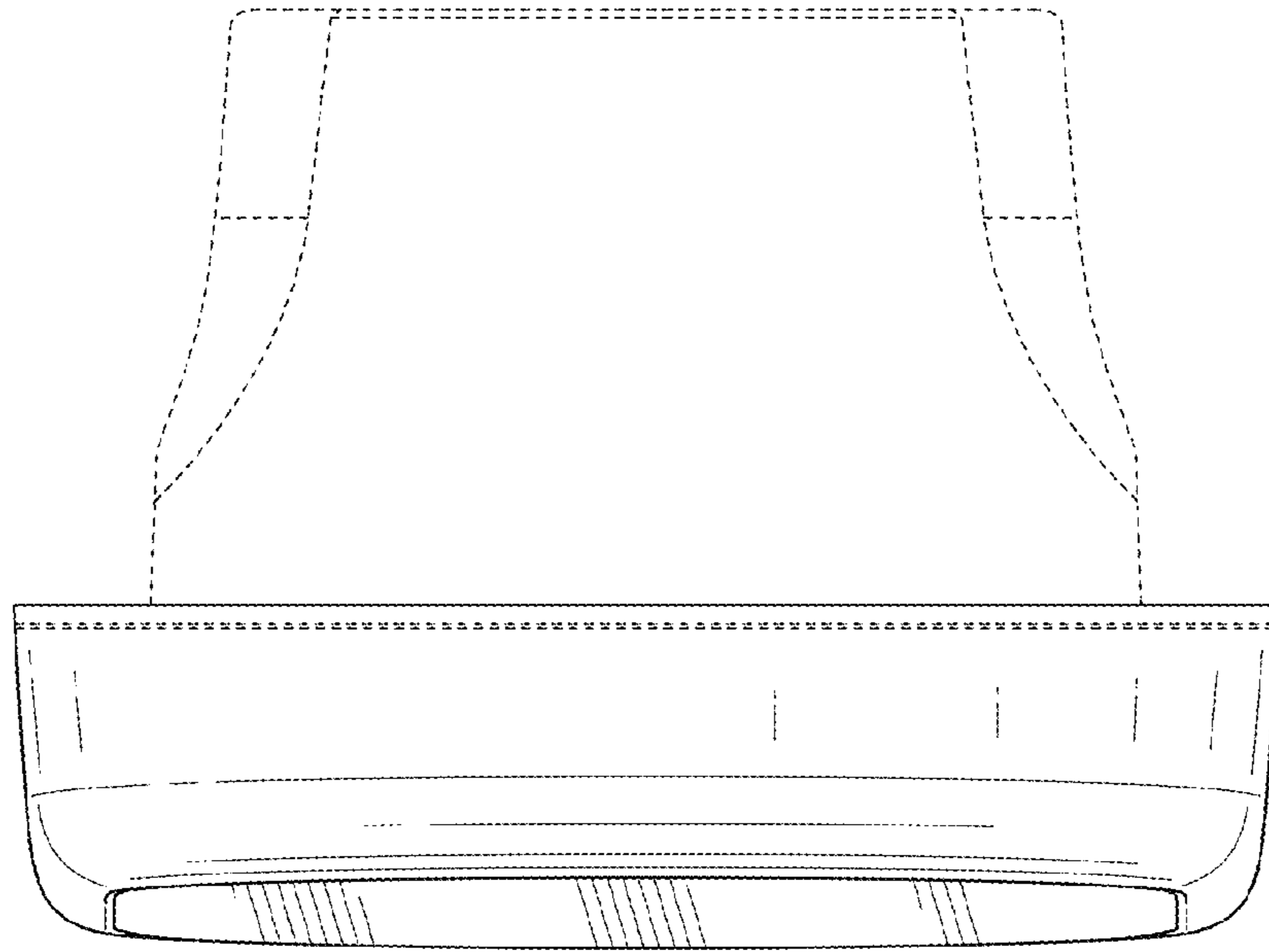


FIG. 6

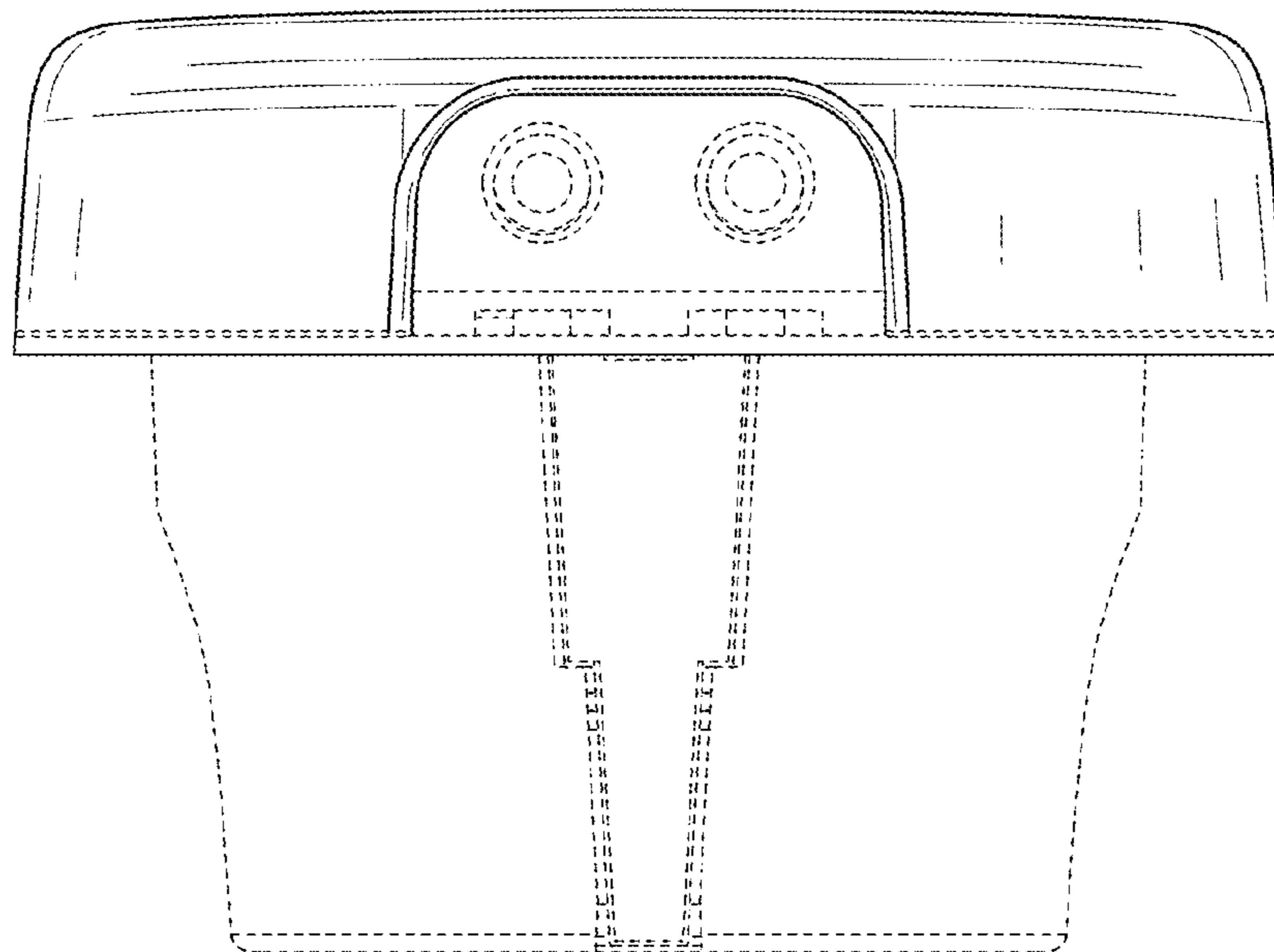


FIG. 7

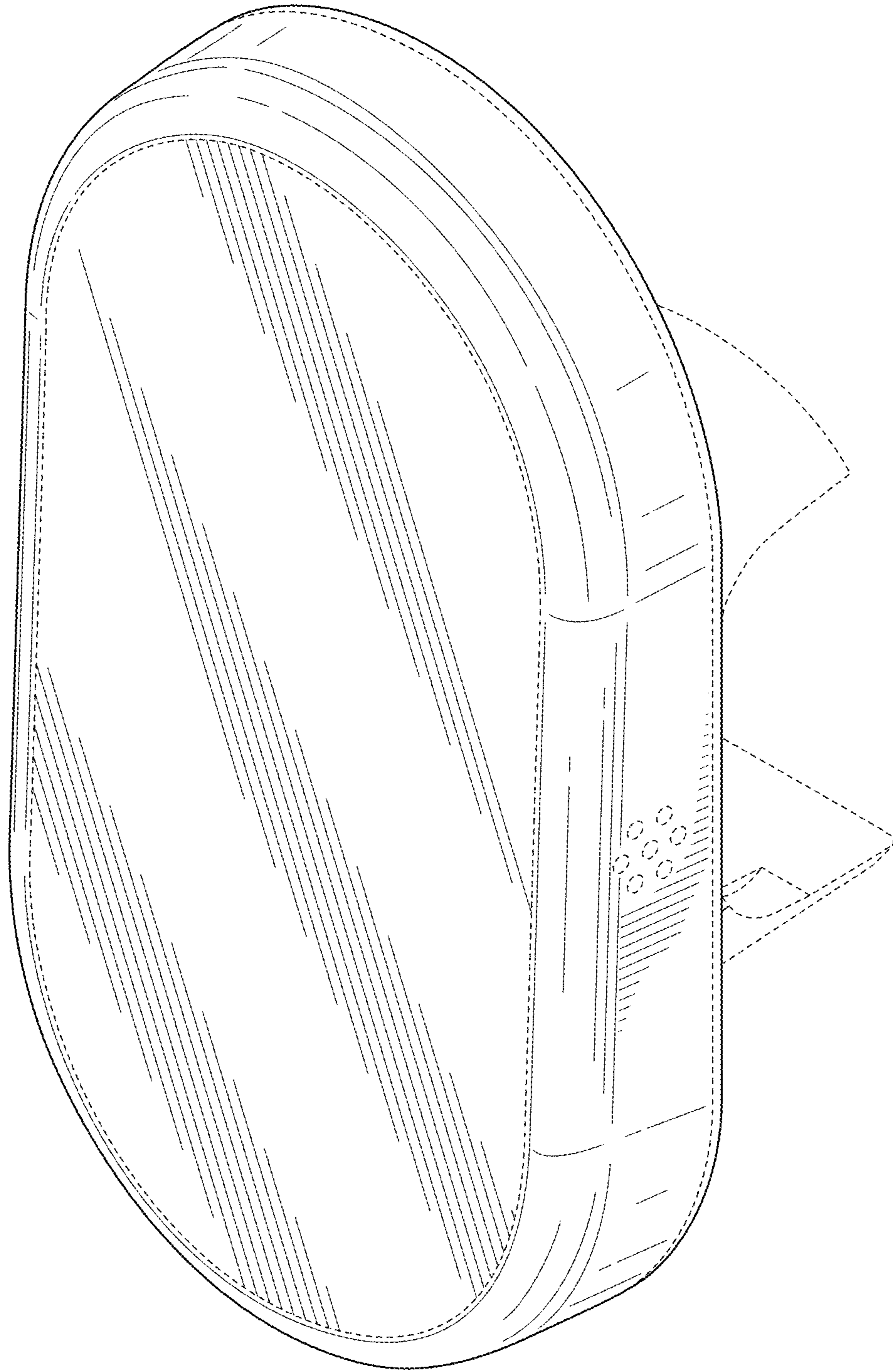


FIG. 8

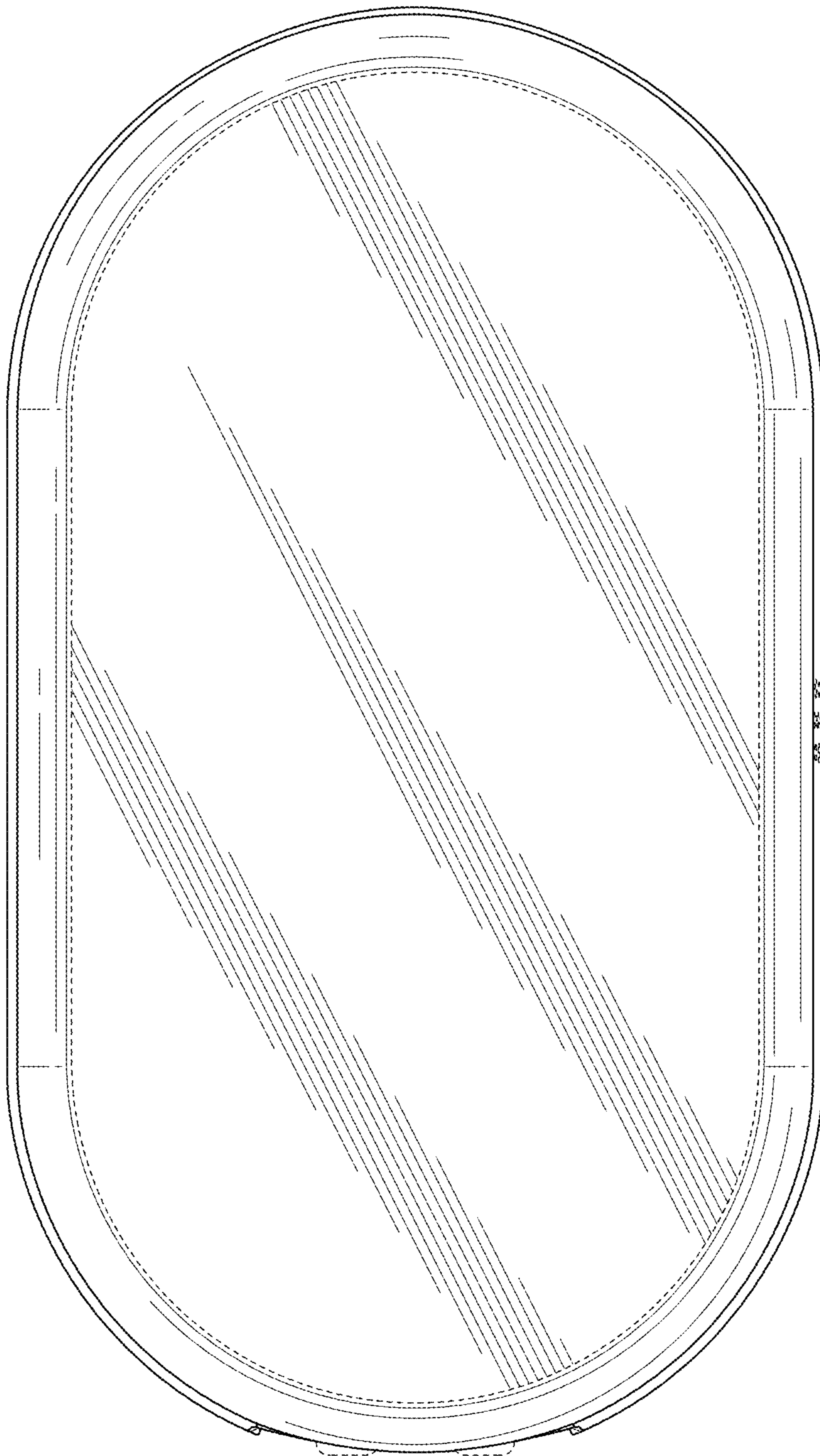


FIG. 9

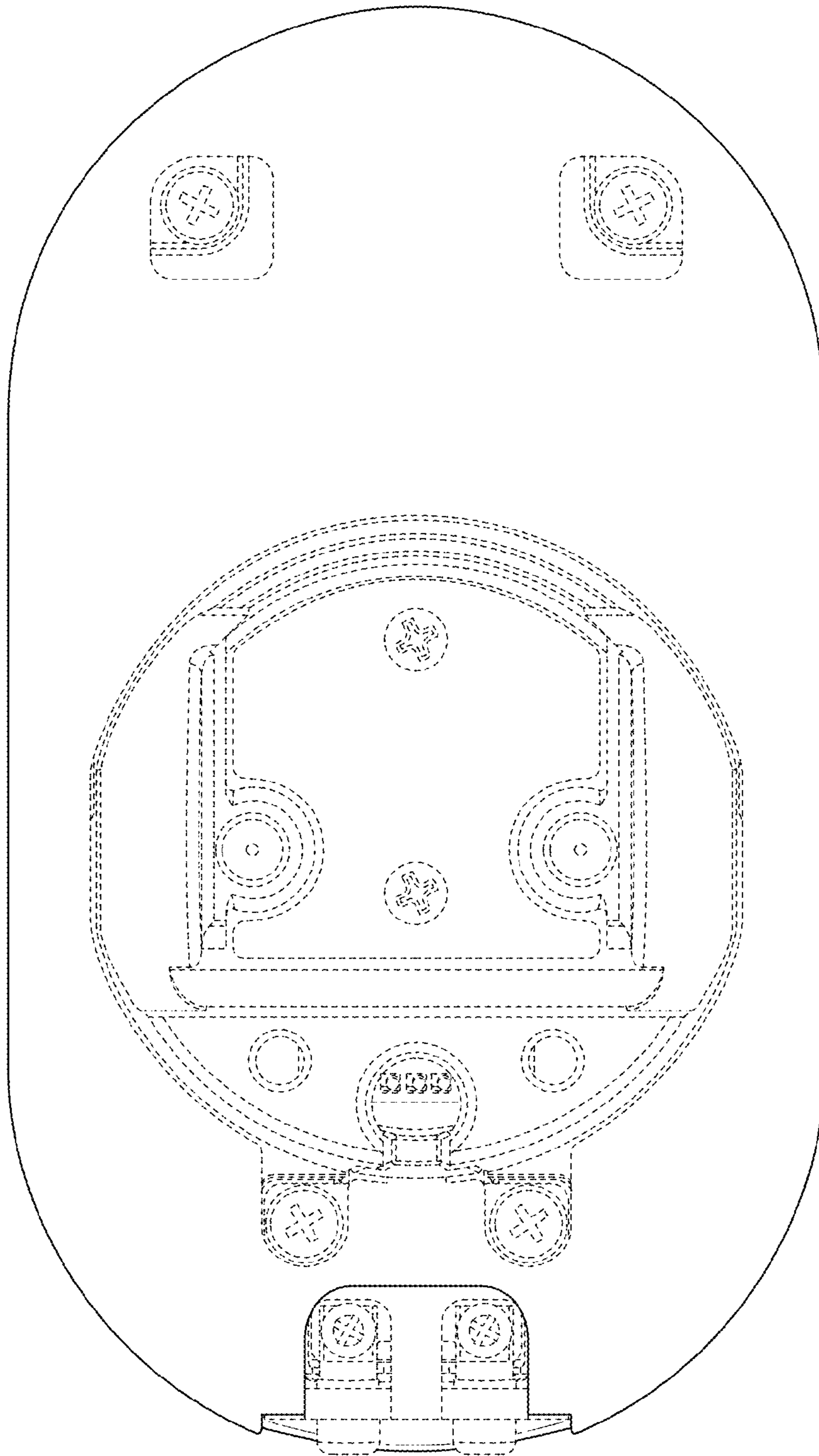


FIG. 10

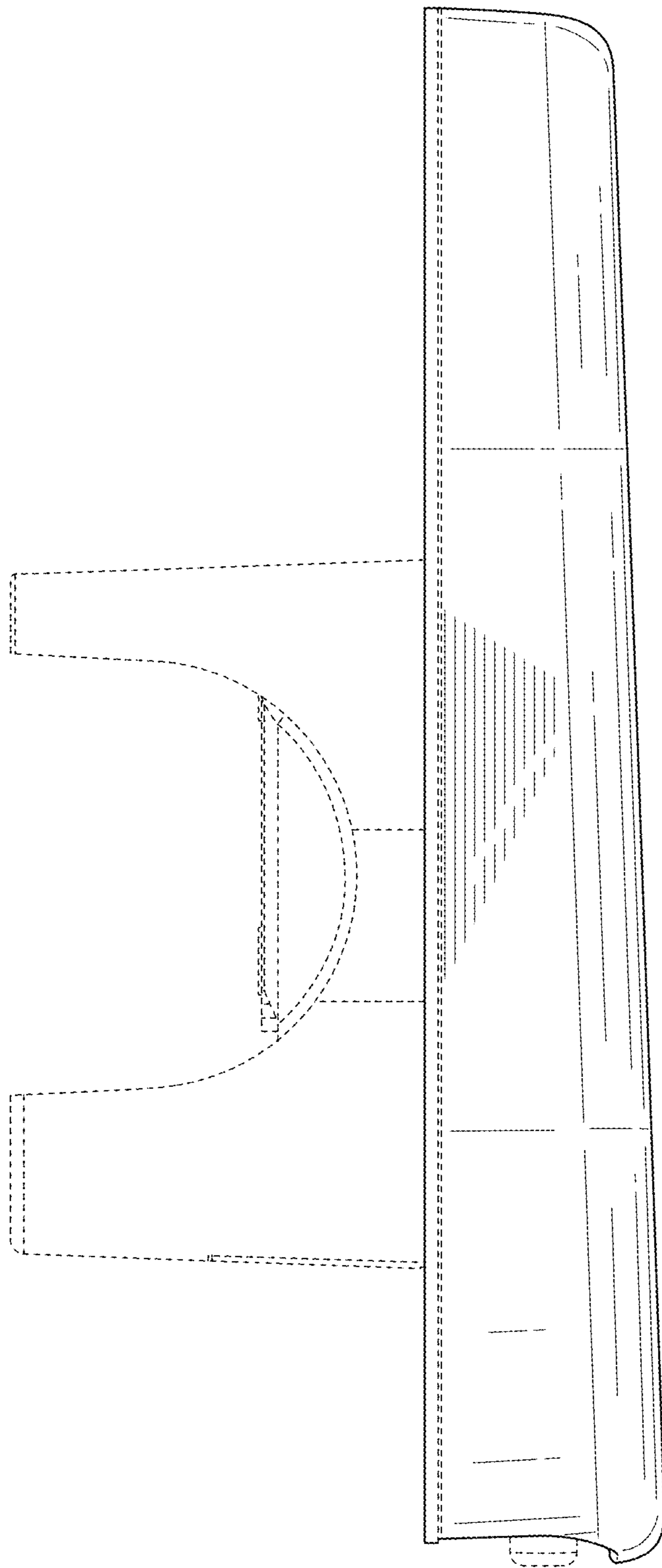


FIG. 11

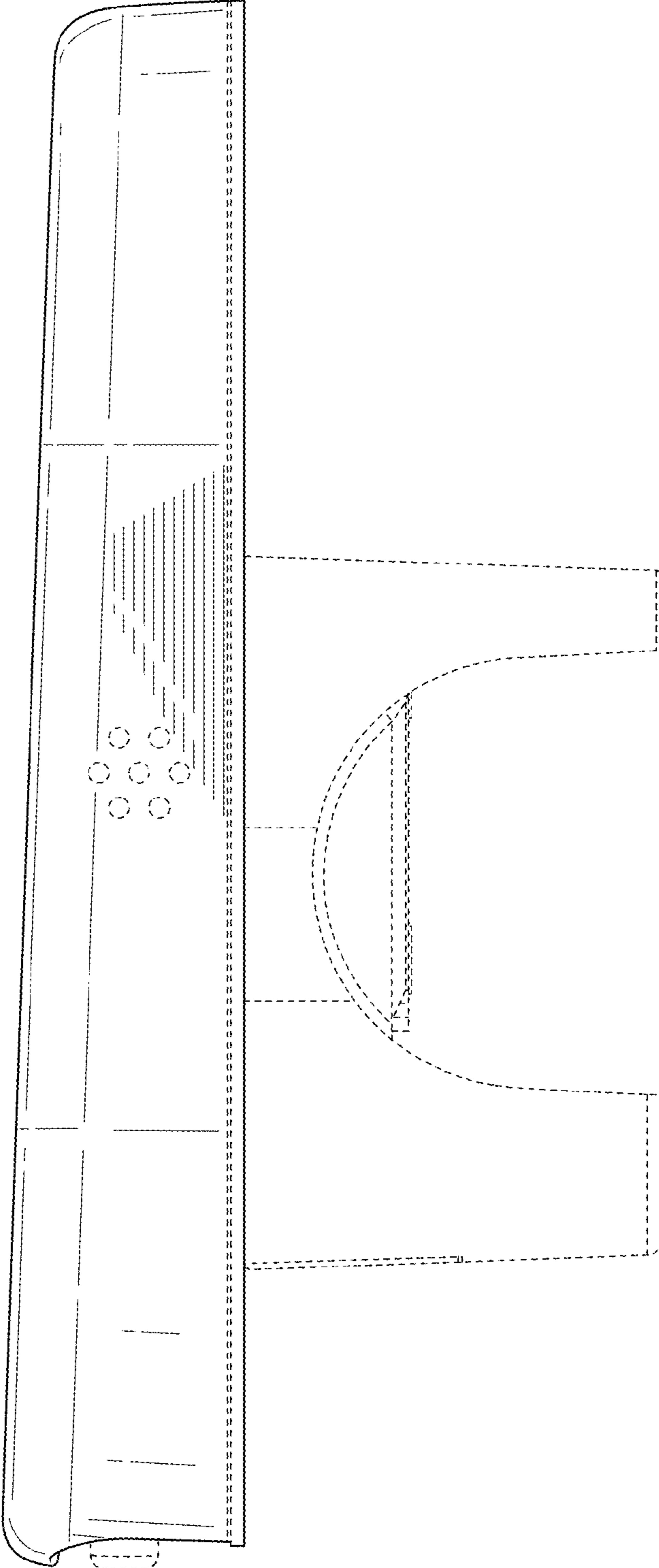


FIG. 12

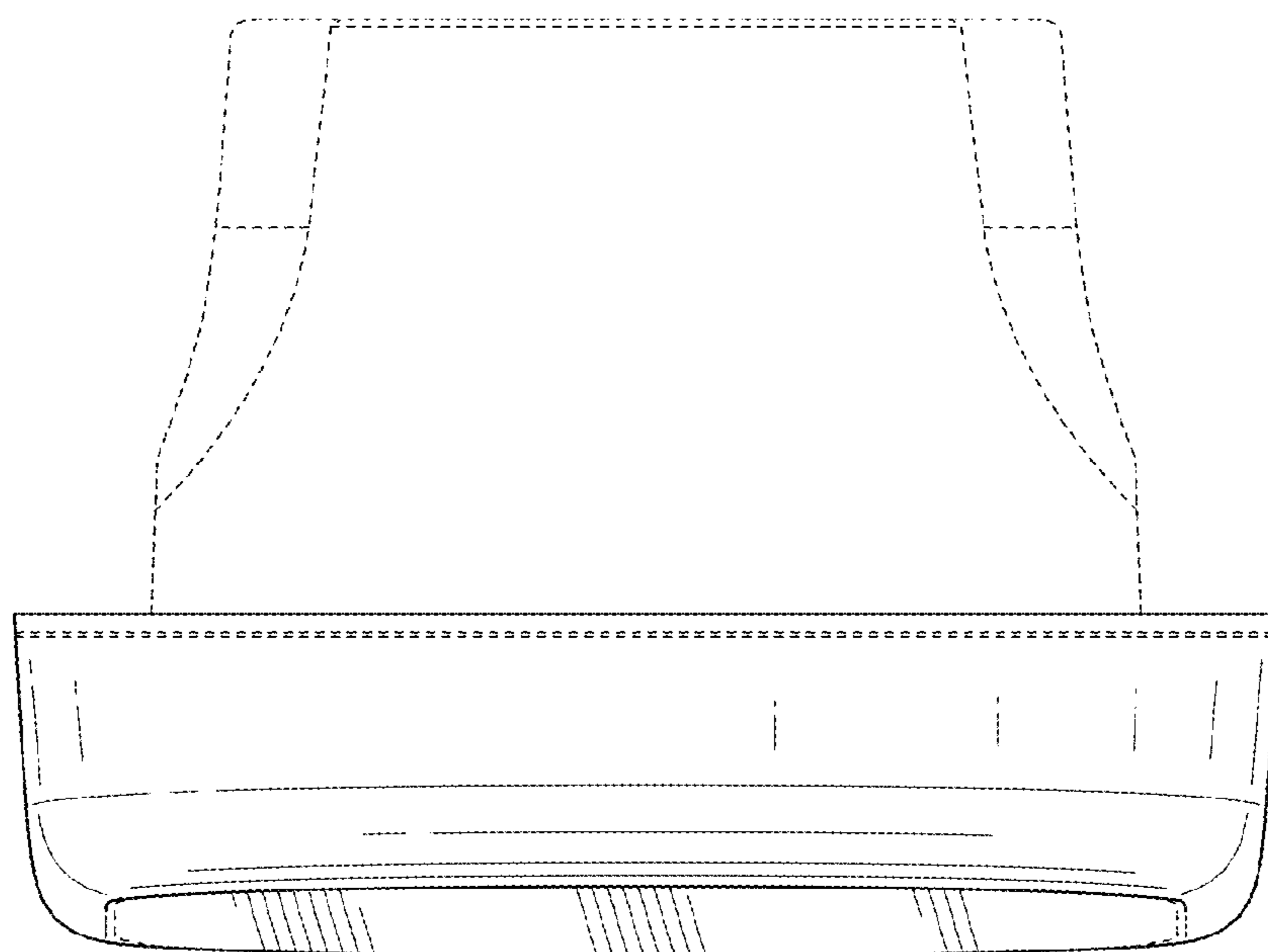


FIG. 13

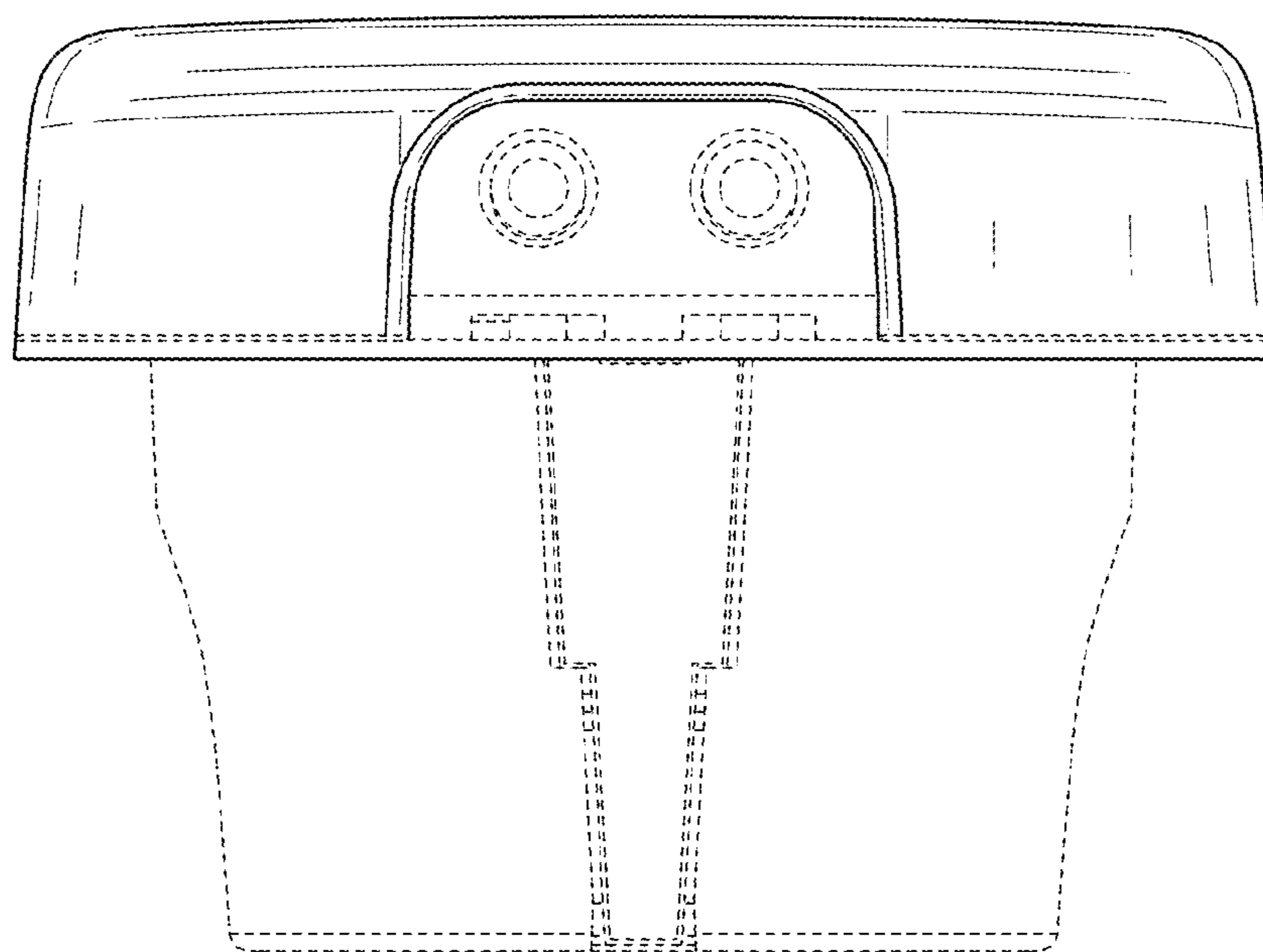


FIG. 14