



US00D755604S

(12) **United States Design Patent**  
**Harden et al.**

(10) **Patent No.:** **US D755,604 S**  
(45) **Date of Patent:** **\*\* May 10, 2016**

(54) **HANDLE**

1/0053; E05B 77/265

See application file for complete search history.

(71) Applicant: **BOBRICK WASHROOM EQUIPMENT, INC.**, North Hollywood, CA (US)

(56) **References Cited**

U.S. PATENT DOCUMENTS

(72) Inventors: **Daniel Kendall Harden**, Palo Alto, CA (US); **Elliot Lucas Ortiz**, San Francisco, CA (US); **Hiroto Teranishi**, San Jose, CA (US)

D186,067	S	*	9/1959	Toth	.....	D8/308
D295,947	S		5/1988	Valli		
D301,276	S	*	5/1989	Bengtsson	.....	D23/254
D314,129	S		1/1991	Zanini		
D317,706	S		6/1991	Boeri		
D345,684	S	*	4/1994	Shaanan	.....	D8/301
D349,228	S		8/1994	Jans		
D351,980	S	*	11/1994	Molteni	.....	D8/302
D355,348	S	*	2/1995	Jans	.....	D8/301

(73) Assignee: **Bobrick Washroom Equipment, Inc.**, North Hollywood, CA (US)

(\*\*) Term: **14 Years**

(Continued)

(21) Appl. No.: **29/481,878**

OTHER PUBLICATIONS

(22) Filed: **Feb. 11, 2014**

Nova Hardware; *Venus Door Lever*; Webpage, Dated Dec. 30, 2013; Printed Apr. 16, 2015 <<https://web.archive.org/web/20131230172228/http://novahardware.com/product/venus-door-lever>> 2 Pages.

(51) **LOC (10) Cl.** ..... **08-06**

(52) **U.S. Cl.**  
USPC ..... **D8/302**

(58) **Field of Classification Search**  
USPC ..... D8/300-302, 307-309, 310, 311, 10; D23/250, 252; 292/336.3; 74/523, 543; 70/192, 201, 206, 207; 16/110.1, 412, 16/416, DIG. 30

*Primary Examiner* — Derrick Holland

*Assistant Examiner* — Lauren Calve

(74) *Attorney, Agent, or Firm* — Lewis Roca Rothgerber Christie LLP

CPC ..... Y10T 16/44; Y10T 74/20612; Y10T 74/20732; Y10T 16/458; Y10T 16/498; Y10T 16/469; Y10T 16/476; Y10T 74/20744; Y10T 74/20864; Y10T 16/4628; Y10T 74/20642; Y10T 16/473; Y10T 74/20762; Y10T 74/2042; Y10T 74/20828; Y10T 16/459; Y10T 16/4713; Y10T 74/2014; Y10T 16/50; Y10T 74/20438; Y10T 74/20582; Y10T 74/20738; Y10T 16/48; Y10T 74/20618; Y10T 74/20684; Y10T 74/20624; Y10T 74/20468; Y10T 16/61; Y10T 16/4719; Y10T 16/86; Y10S 16/30; Y10S 292/31; Y10S 292/53; Y10S 16/12; Y10S 292/23; Y10S 292/27; Y10S 292/30; Y10S 292/63; E05B 85/16; E05B 1/0015; E05B 77/06; E05B 79/06; E05B 85/18; E05B 85/12; E05B 85/10; E05B 7/00; E05B

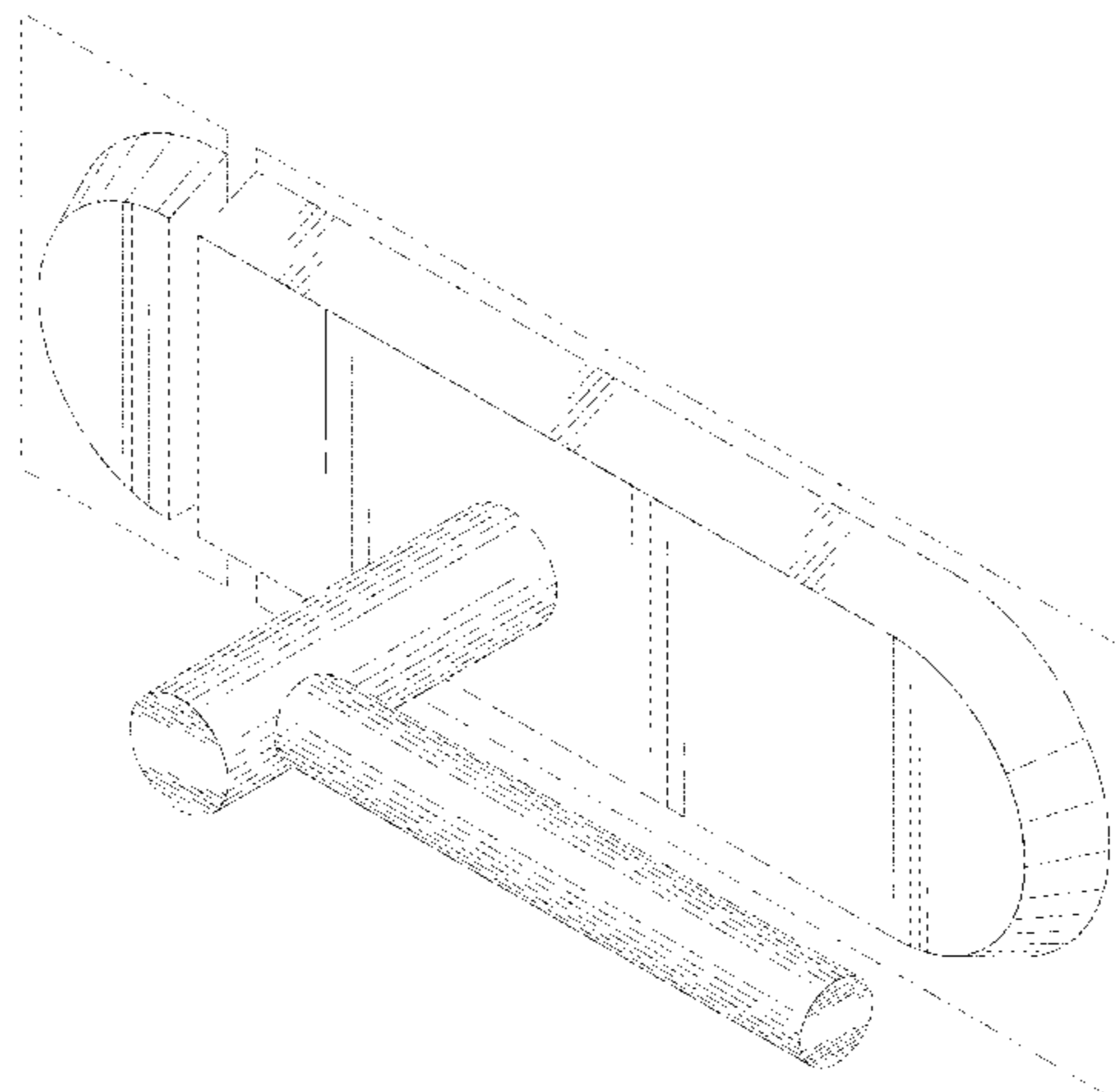
(57) **CLAIM**

The ornamental design for a handle, as shown and described.

**DESCRIPTION**

FIG. 1 is a perspective view of a handle according to the present design;  
FIG. 2 is a top view thereof, the bottom view being a mirror image thereof;  
FIG. 3 is a front view thereof;  
FIG. 4 is a left side view thereof; and,  
FIG. 5 is a right side view thereof.  
The broken lines shown represent unclaimed subject matter and form no part of the claimed design.

**1 Claim, 4 Drawing Sheets**



(56)

**References Cited**

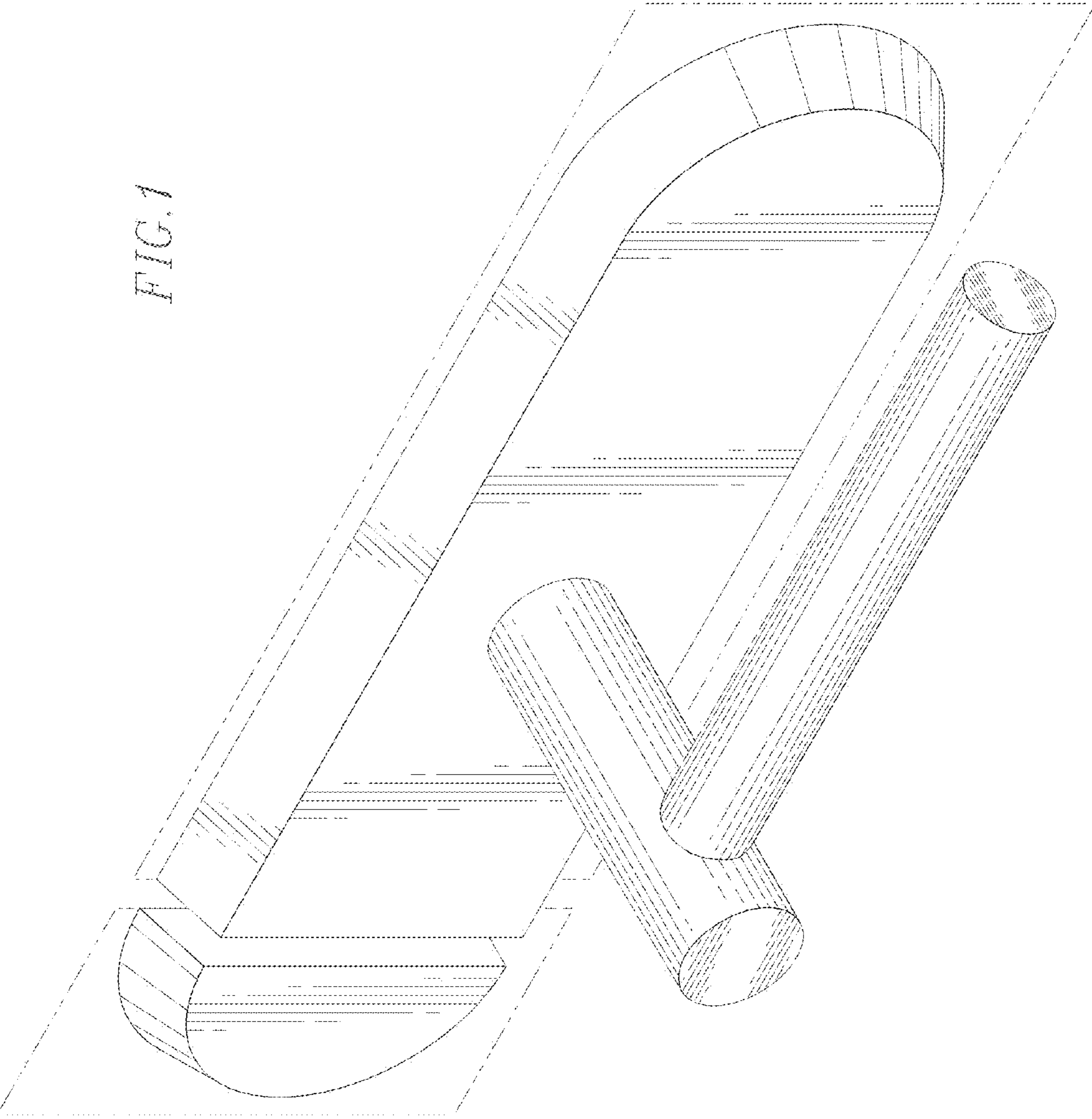
U.S. PATENT DOCUMENTS

5,813,708 A 9/1998 Shen  
D504,309 S 4/2005 Fuchs  
D509,126 S \* 9/2005 Vilallonga Kirovac ..... D8/308  
D526,388 S 8/2006 Haug et al.  
D579,525 S 10/2008 Zhang  
D586,430 S 2/2009 Shieh  
D611,572 S 3/2010 Gao

D621,682 S 8/2010 Roberts, III  
D627,441 S 11/2010 Sedwick  
D663,603 S \* 7/2012 Guo ..... D8/302  
D691,451 S 10/2013 Weathersby et al.  
D700,957 S 3/2014 Mendoza et al.  
D708,039 S 7/2014 Aispuro et al.  
2005/0125954 A1 \* 6/2005 Shyu ..... 16/412  
2007/0107162 A1 5/2007 Davis, Jr.  
2010/0019516 A1 1/2010 Williamson

\* cited by examiner

FIG. 1



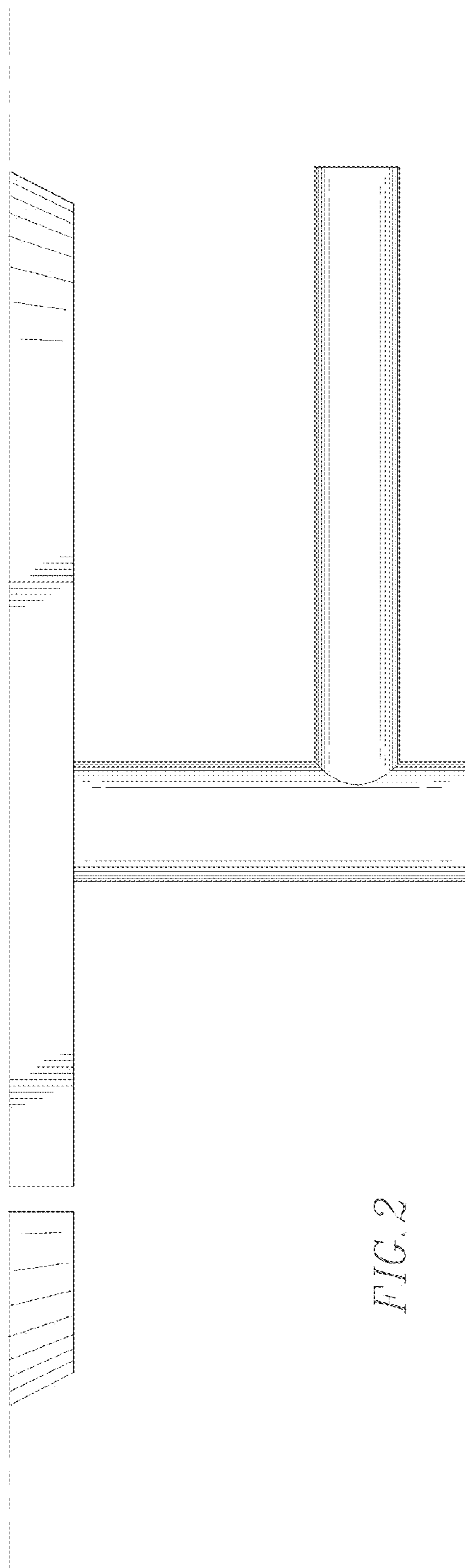


FIG. 2

FIG. 3

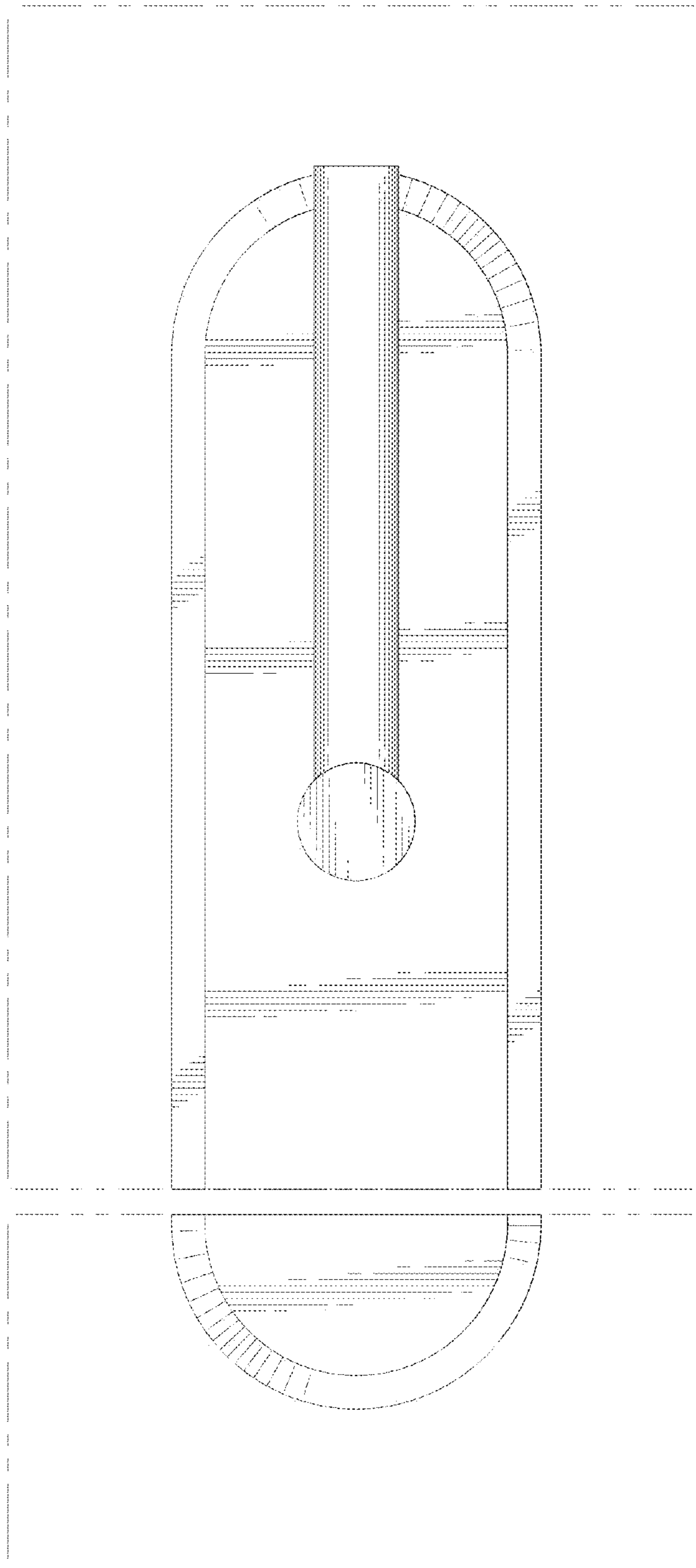


FIG. 5

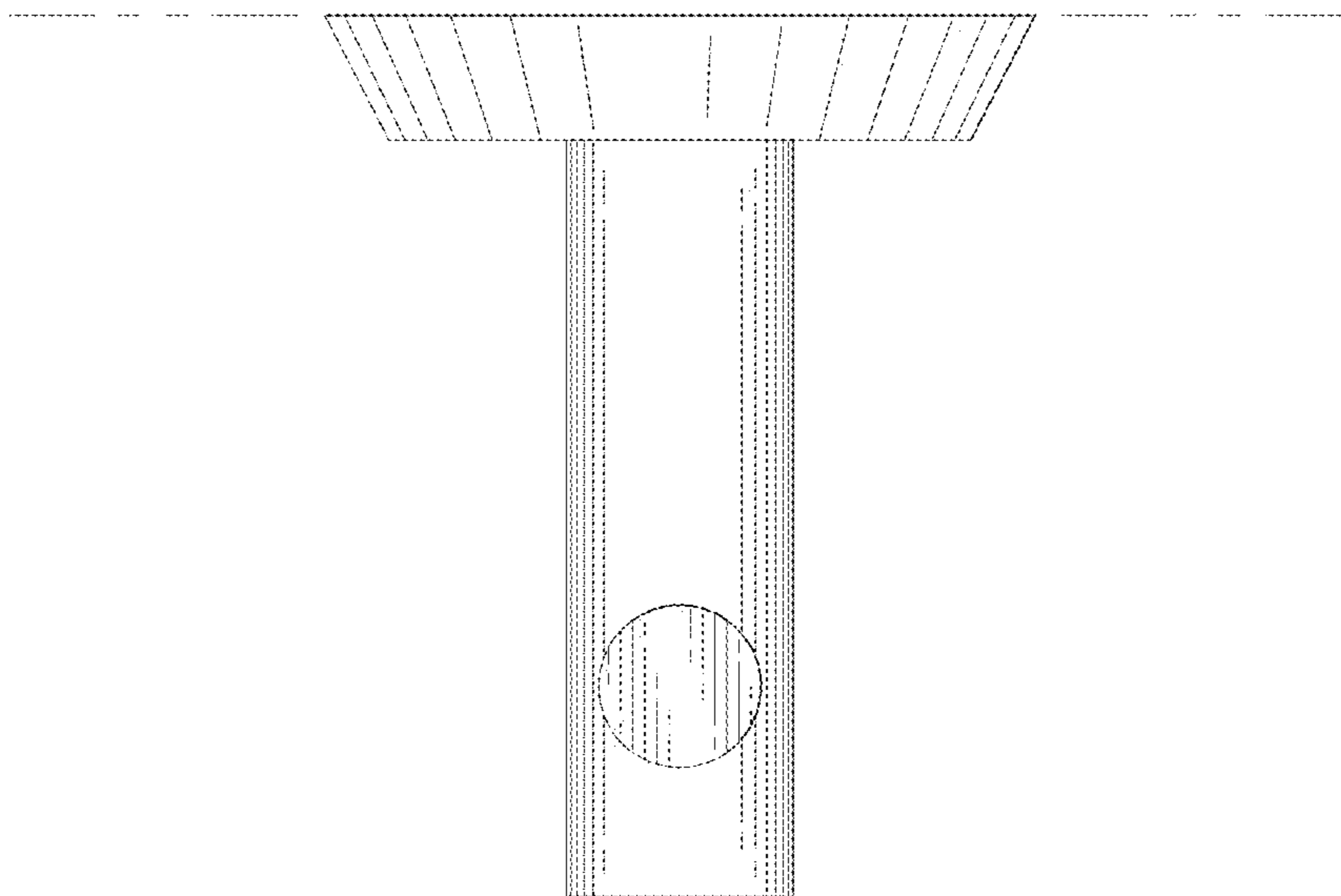


FIG. 4

