



US00D755602S

(12) **United States Design Patent**
Marcus et al.

(10) **Patent No.:** **US D755,602 S**
(45) **Date of Patent:** **** May 10, 2016**

- (54) **TORQUE APPLICATION TOOL**
- (71) Applicant: **SNAP-ON INCORPORATED**,
Kenosha, WI (US)
- (72) Inventors: **Gary A Marcus**, Yorba Linda, CA (US);
Michael G Holden, Milwaukee, WI
(US); **Glenn M Kalnins**, Fortson, GA
(US)
- (73) Assignee: **Snap-on Incorporated**, Kenosha, WI
(US)
- (**) Term: **14 Years**
- (21) Appl. No.: **29/481,234**
- (22) Filed: **Feb. 3, 2014**
- (51) **LOC (10) Cl.** **08-04**
- (52) **U.S. Cl.**
USPC **D8/85**
- (58) **Field of Classification Search**
USPC D8/21, 24-26, 29, 61, 82-87, 107;
81/52, 53.1, 177.7, 467, 480, 489-491
CPC A47J 43/26; B25B 13/463; B25B 13/468;
B25B 15/04; B25G 1/005; B25G 1/085
See application file for complete search history.

TW	304848	5/1997
TW	D109091	2/2006
TW	D121985	3/2008

OTHER PUBLICATIONS

Translation of Search Report for Patent Application ROC (Taiwan) 103304561 dated Feb. 13, 2015.
Wera 7400 Adjustable Pistol Grip Torque Screwdriver PN 05074712002, excelairtool.com, Accessed on Dec. 11, 2013.

Primary Examiner — Philip S Hyder
Assistant Examiner — Roselynn Cody

(74) *Attorney, Agent, or Firm* — Seyfarth Shaw LLP

(57) **CLAIM**

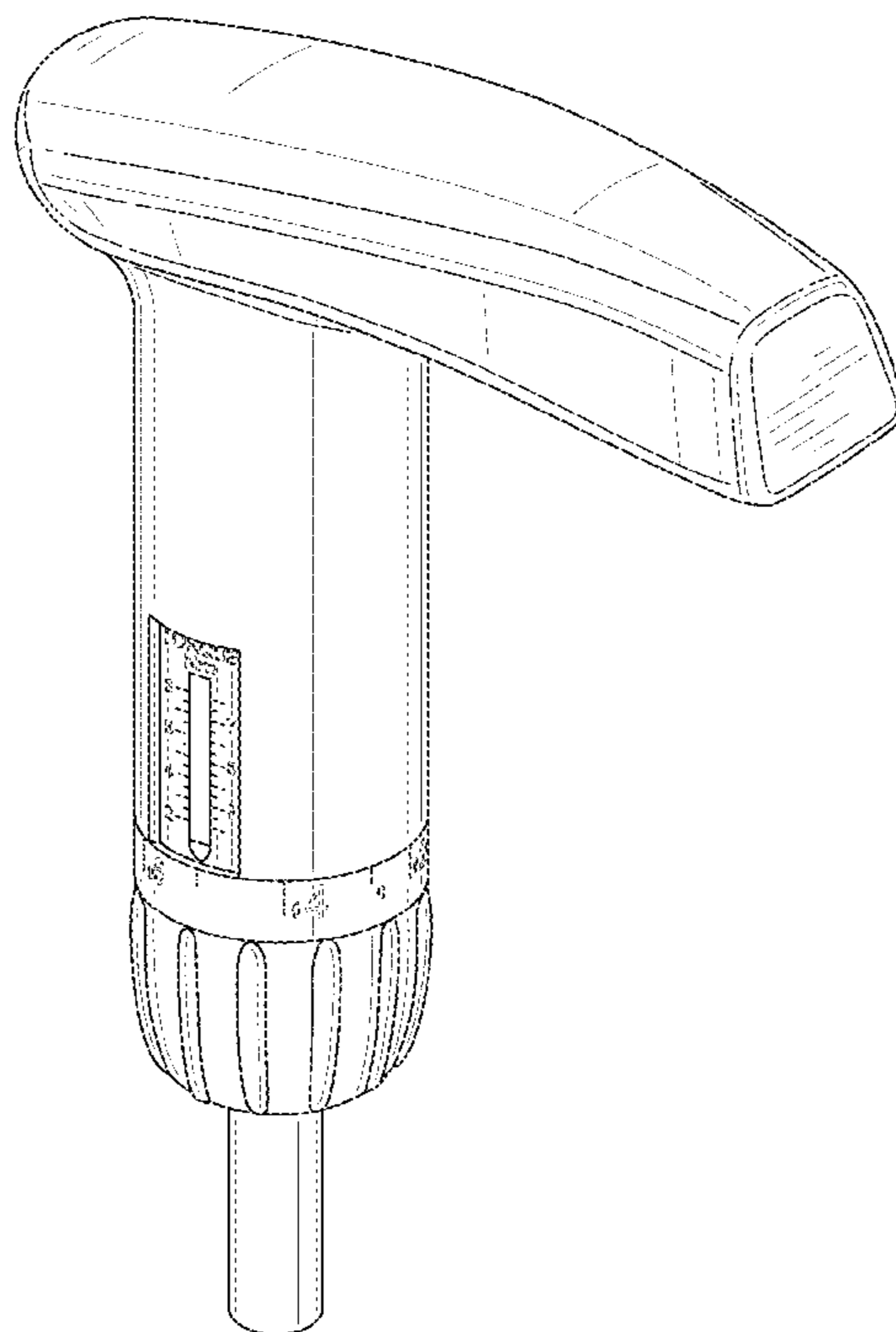
The ornamental design for a torque application tool, as shown and described.

DESCRIPTION

FIG. 1 is a side perspective view of an embodiment of a torque application tool;
FIG. 2 is a first side view of the embodiment in FIG. 1;
FIG. 3 is a second side view of the embodiment in FIG. 1.
FIG. 4 is a third side view of the embodiment in FIG. 1;
FIG. 5 is a fourth side view of the embodiment in FIG. 1;
FIG. 6 is a first end view of the embodiment in FIG. 1; and,
FIG. 7 is a second end view of the embodiment in FIG. 1.
Any components in the drawings shown in broken lines are for illustrative purposes only and form no part of the claimed design.

- (56) **References Cited**
- FOREIGN PATENT DOCUMENTS
- CN 301719029 S 11/2011

1 Claim, 6 Drawing Sheets



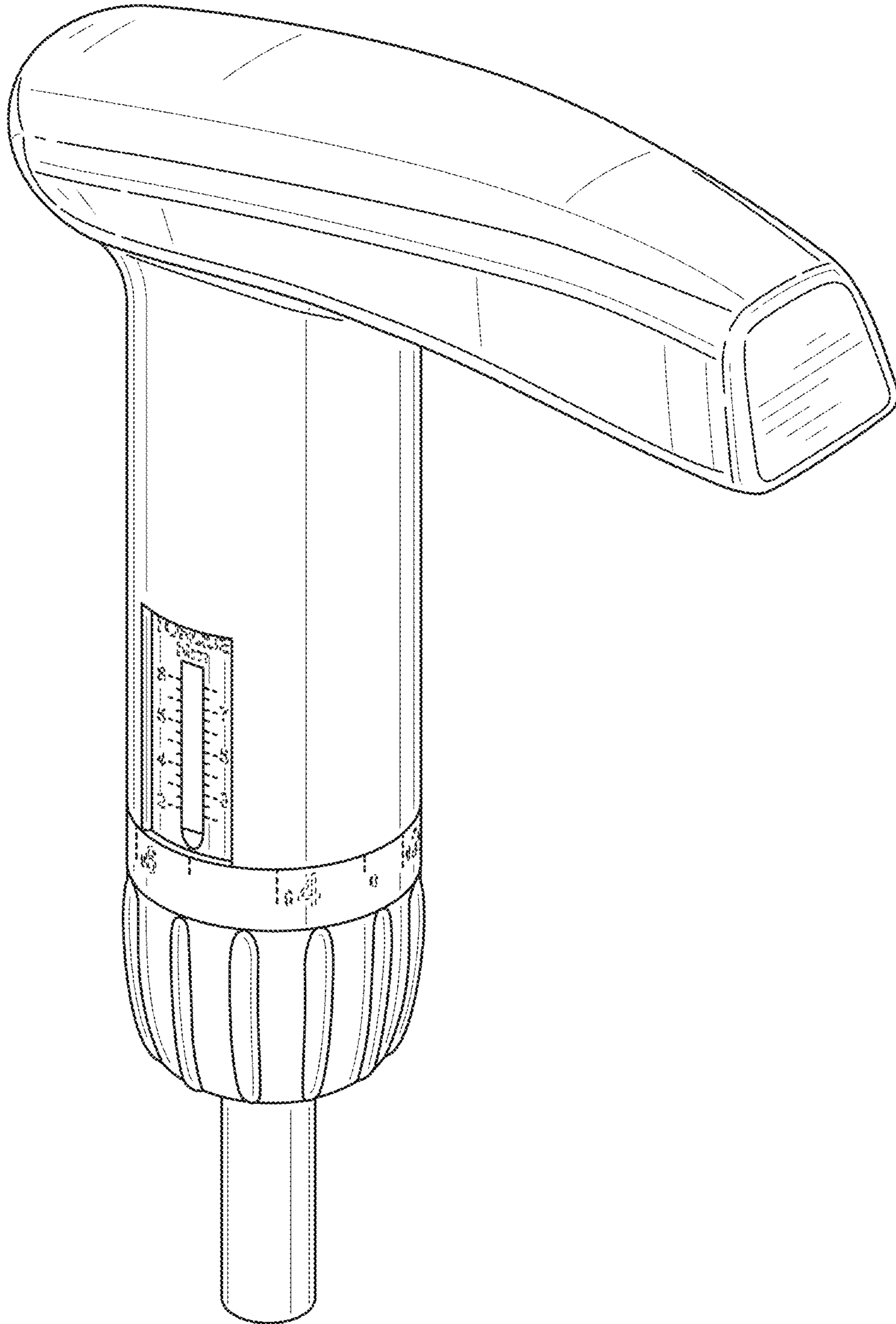


FIG. 1

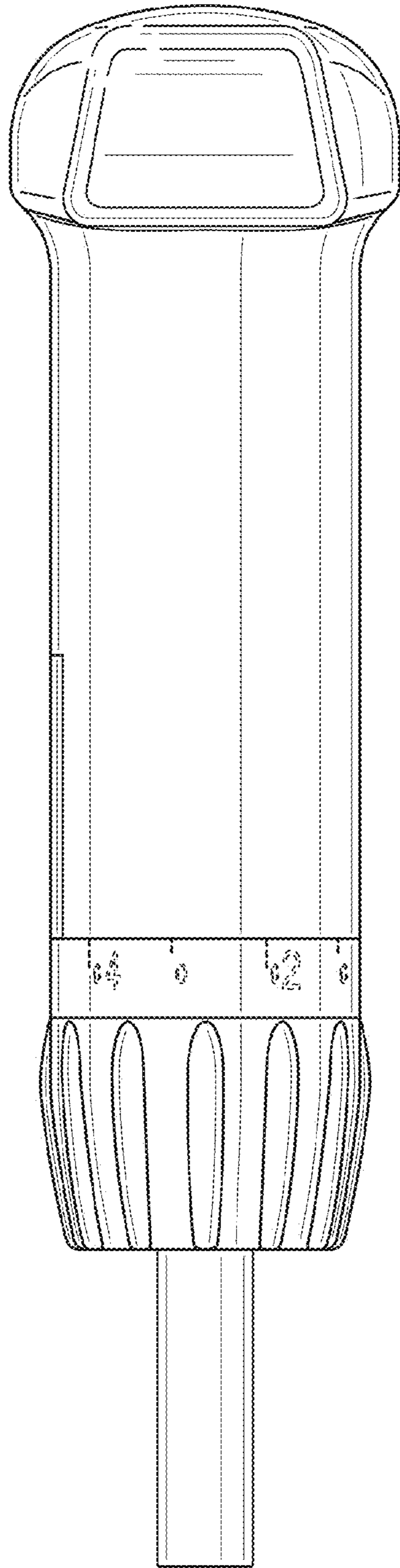


FIG. 2

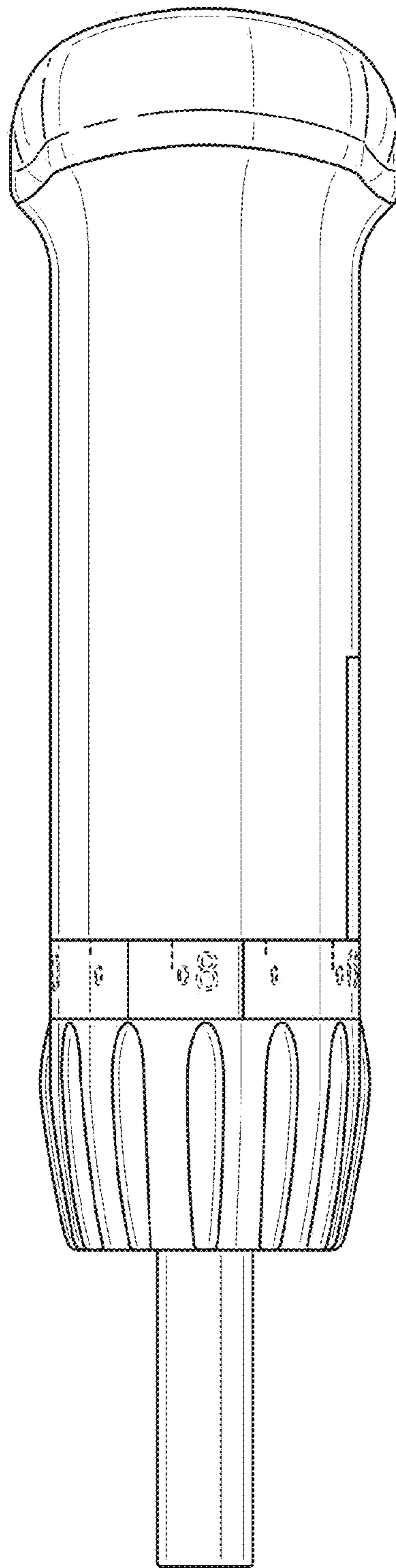


FIG. 3

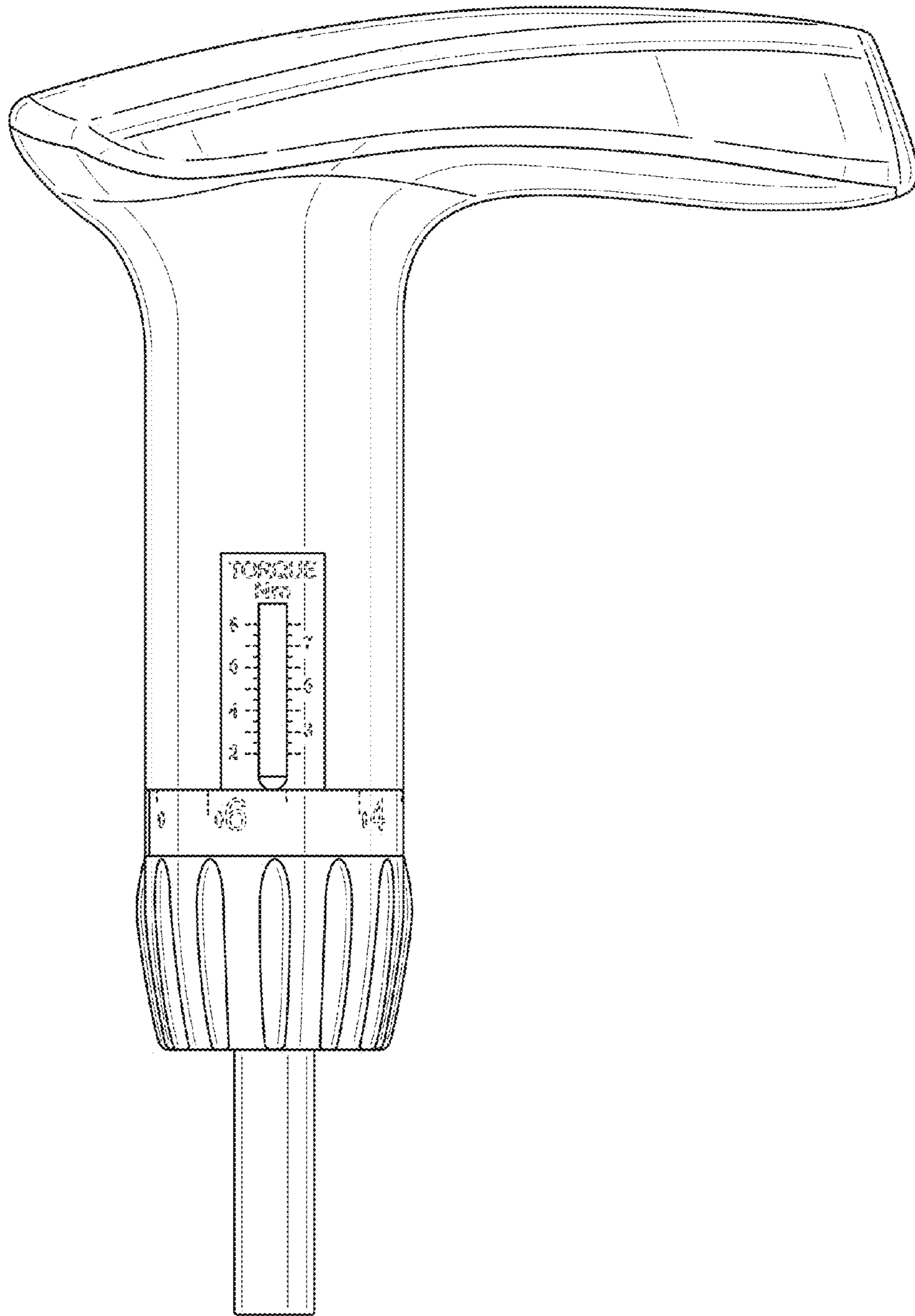


FIG. 4

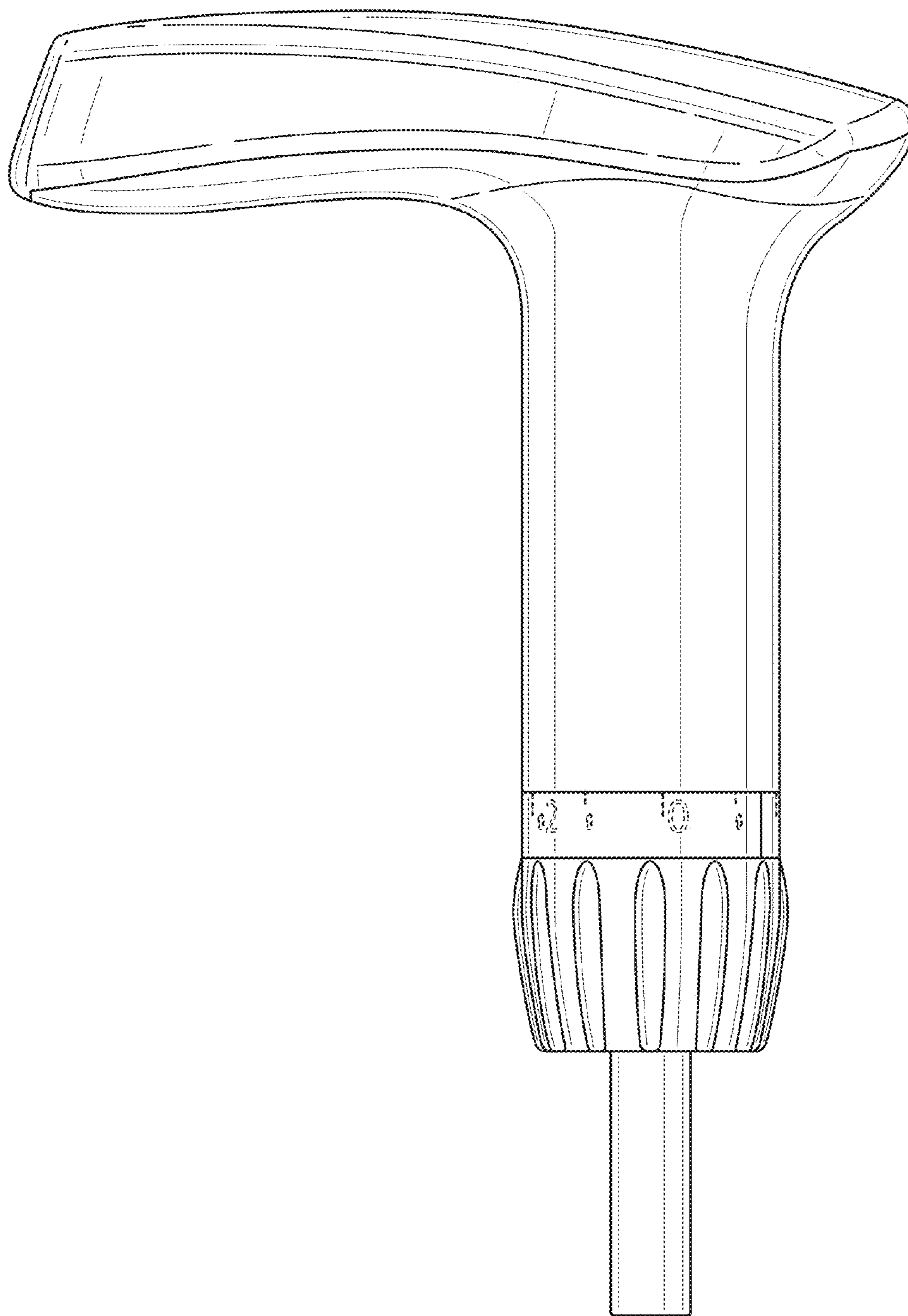


FIG. 5

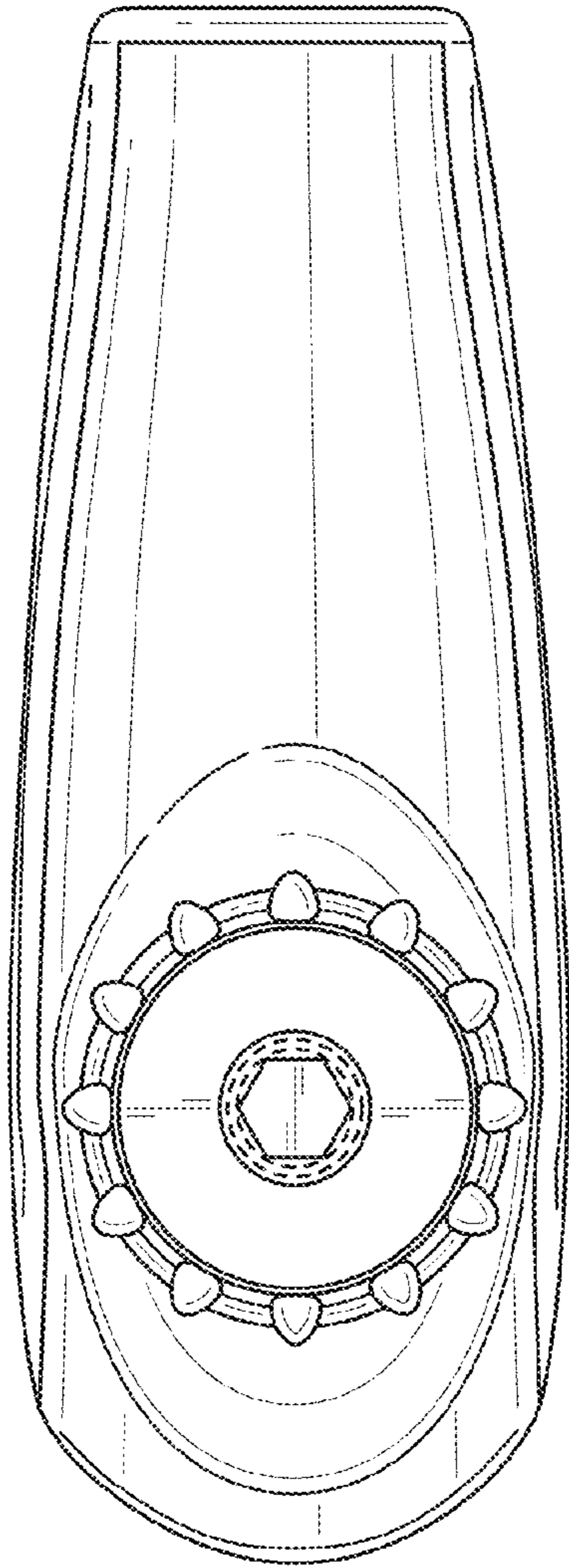


FIG. 6

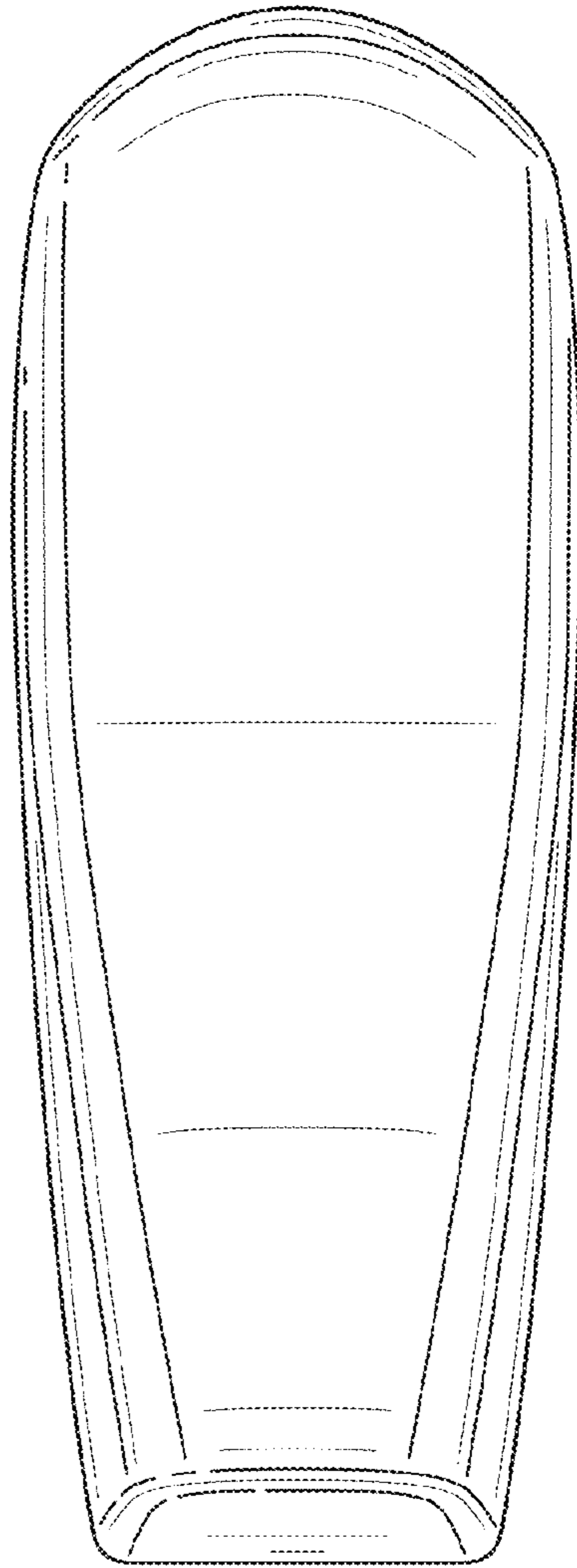


FIG. 7