



US00D755601S

(12) **United States Design Patent**
Waldron

(10) **Patent No.:** **US D755,601 S**
(45) **Date of Patent:** **** May 10, 2016**

- (54) **TOOL BIT DRIVER**
- (71) Applicant: **Power Box AG**, Zug (CH)
- (72) Inventor: **Michael Waldron**, York (GB)
- (73) Assignee: **Power Box AG**, Zug (CH)
- (**) Term: **14 Years**

D536,944	S	*	2/2007	Tsai et al.	D8/68
7,186,117	B2	*	3/2007	Chen	439/11
D585,714	S	*	2/2009	Okuda et al.	D8/68
D615,379	S	*	5/2010	Aglassinger	D8/68
D617,622	S	*	6/2010	Lopano	D8/68
D655,994	S	*	3/2012	Schoch	D8/68
D672,627	S	*	12/2012	Kawase et al.	D8/68
D691,444	S	*	10/2013	Tirone et al.	D8/68
2006/0102367	A1	*	5/2006	Etter et al.	173/218
2012/0061117	A1	*	3/2012	Nagasaka et al.	173/217

- (21) Appl. No.: **29/507,381**
- (22) Filed: **Oct. 27, 2014**

Related U.S. Application Data

- (63) Continuation of application No. 29/466,100, filed on Sep. 4, 2013, now abandoned, which is a continuation of application No. 29/417,439, filed on Apr. 3, 2012, now abandoned.

Foreign Application Priority Data

- Mar. 2, 2012 (EP) 002002055
- (51) **LOC (10) Cl.** **08-03**
- (52) **U.S. Cl.**
USPC **D8/68**

- (58) **Field of Classification Search**
USPC D8/61, 67, 68; 81/57.4, 489; 173/48, 173/109, 170, 178, 217; 408/124, 125; 362/119; 475/149
See application file for complete search history.

References Cited

U.S. PATENT DOCUMENTS

D505,055	S	*	5/2005	Nagasaka et al.	D8/68
D534,048	S	*	12/2006	Tsai et al.	D8/68
D534,779	S	*	1/2007	Tsai et al.	D8/68

FOREIGN PATENT DOCUMENTS

EP	1445073	A1	*	8/2004	B25F 5/00
EP	1533086	A1	*	5/2005	B25F 5/00
JP	2011131377	A	*	7/2011	B25F 5/02
JP	2012232377	A	*	11/2012	B25F 5/02

* cited by examiner

Primary Examiner — Philip S Hyder

Assistant Examiner — Darlington Ly

(74) *Attorney, Agent, or Firm* — Head, Johnson & Kachigian, P.C.

CLAIM

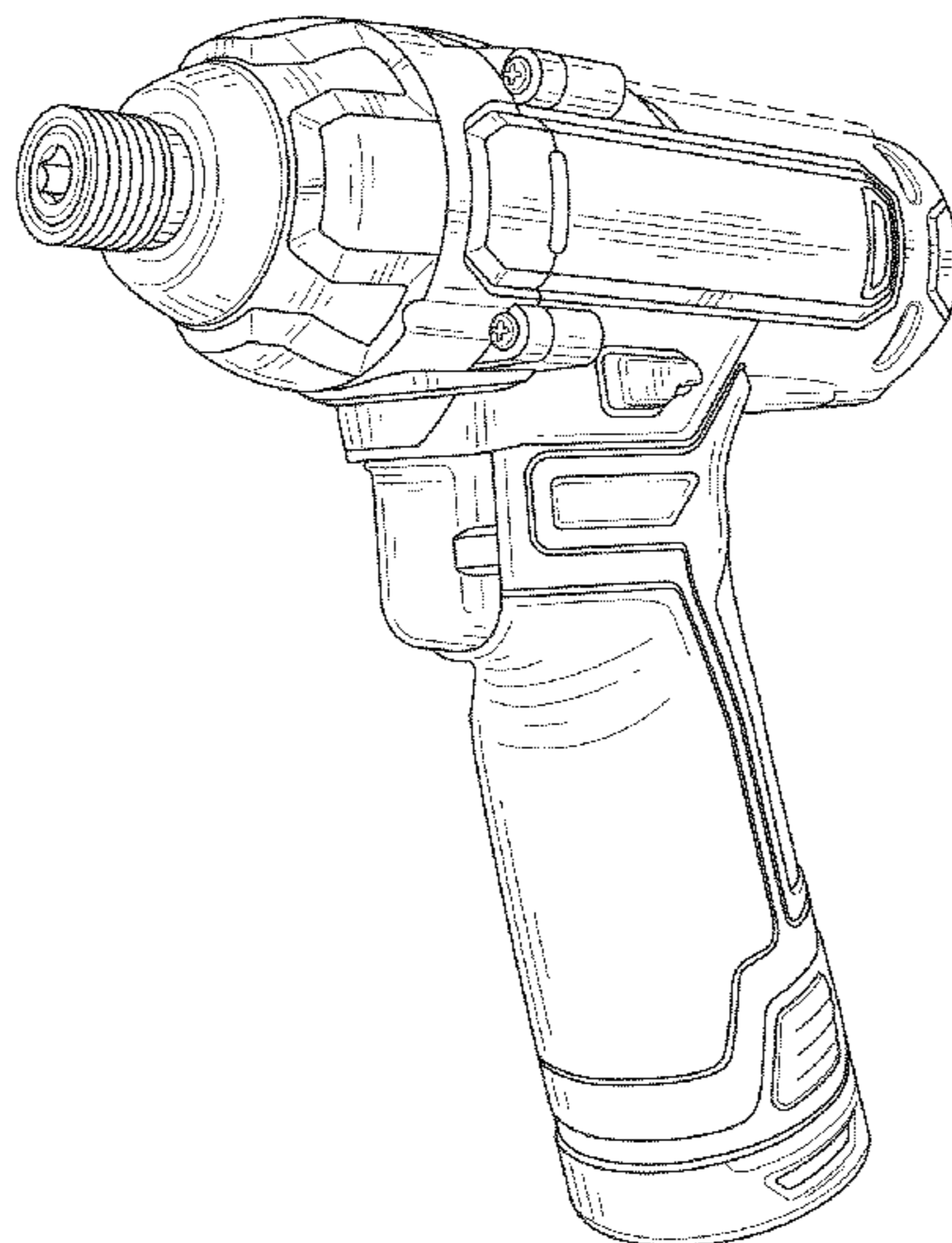
(57) The ornamental design for a tool bit driver, as shown and described.

DESCRIPTION

FIG. 1 is an enlarged front elevation view of the tool bit driver; FIG. 2 is an enlarged rear elevation view thereof; FIG. 3 is a right side elevation view thereof, the left side elevation view being a mirror image thereof; FIG. 4 is a top plan view thereof; FIG. 5 is a bottom plan view thereof; and, FIG. 6 is a perspective view thereof.

The broken lines shown in the drawings illustrate portions of the tool bit driver that forms no part of the claimed design.

1 Claim, 5 Drawing Sheets



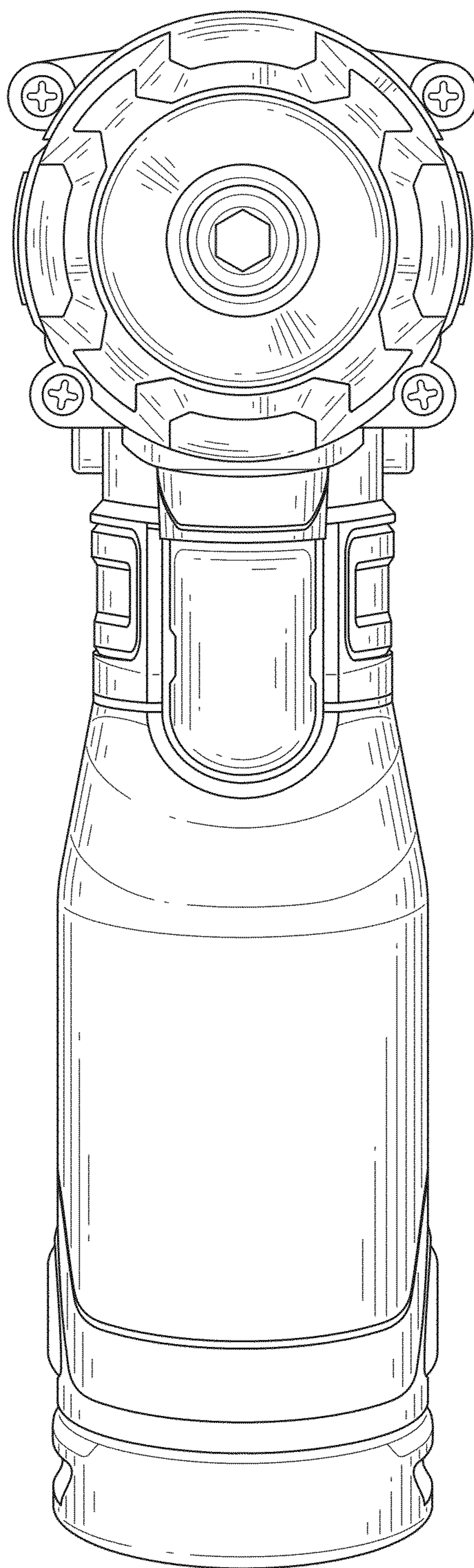


FIG. 1

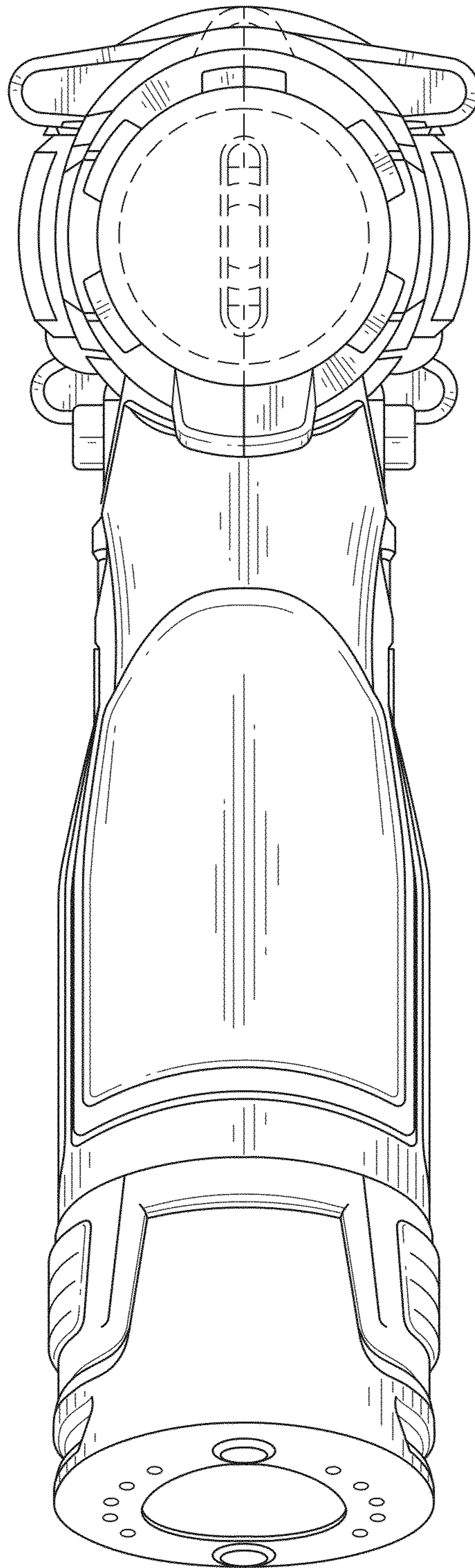


FIG. 2

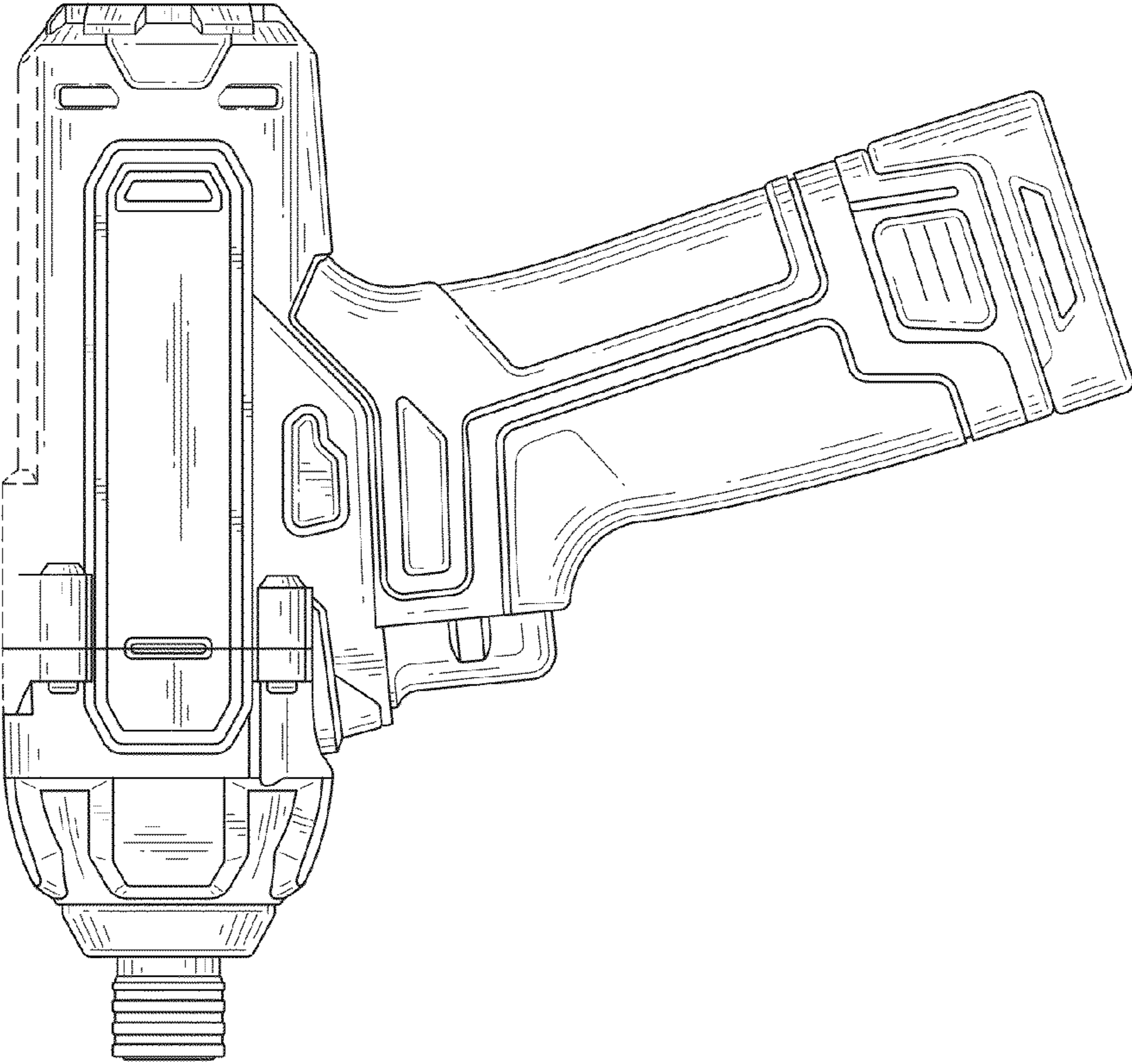


FIG. 3

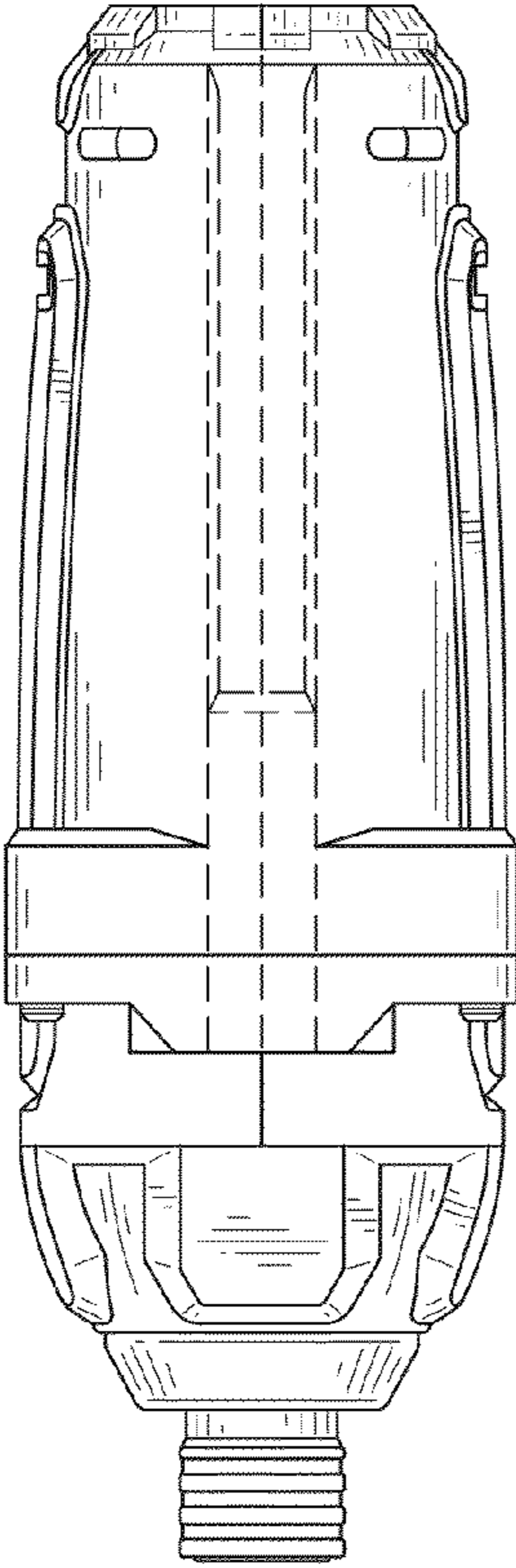


FIG. 4

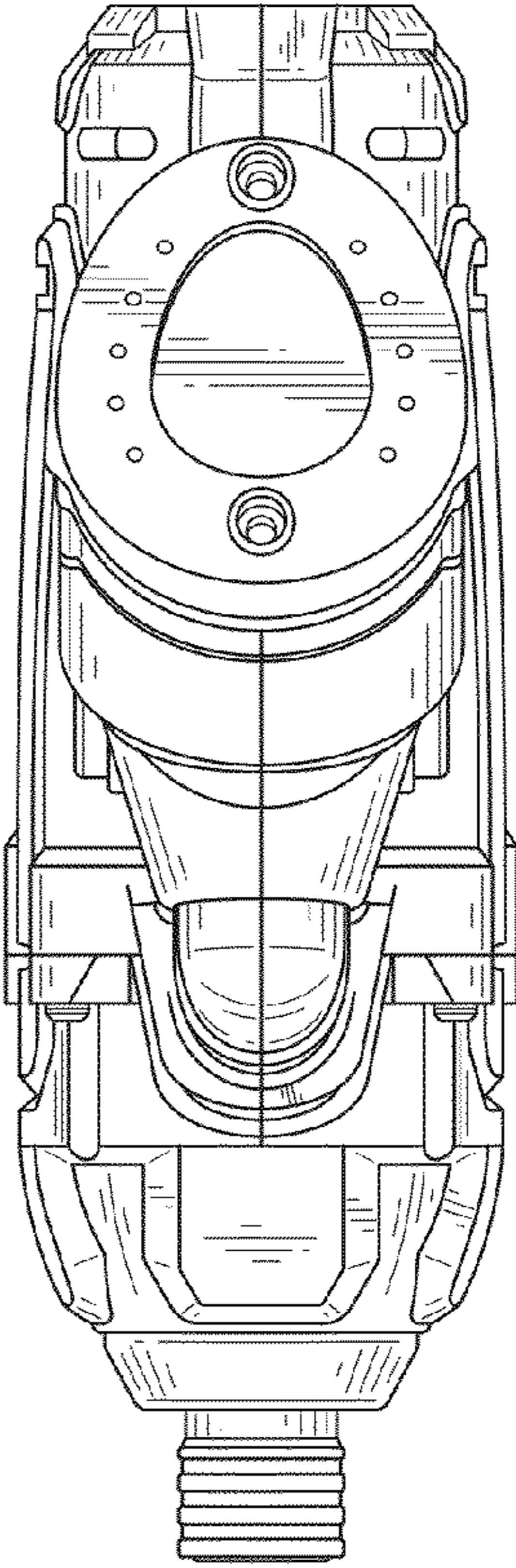


FIG. 5

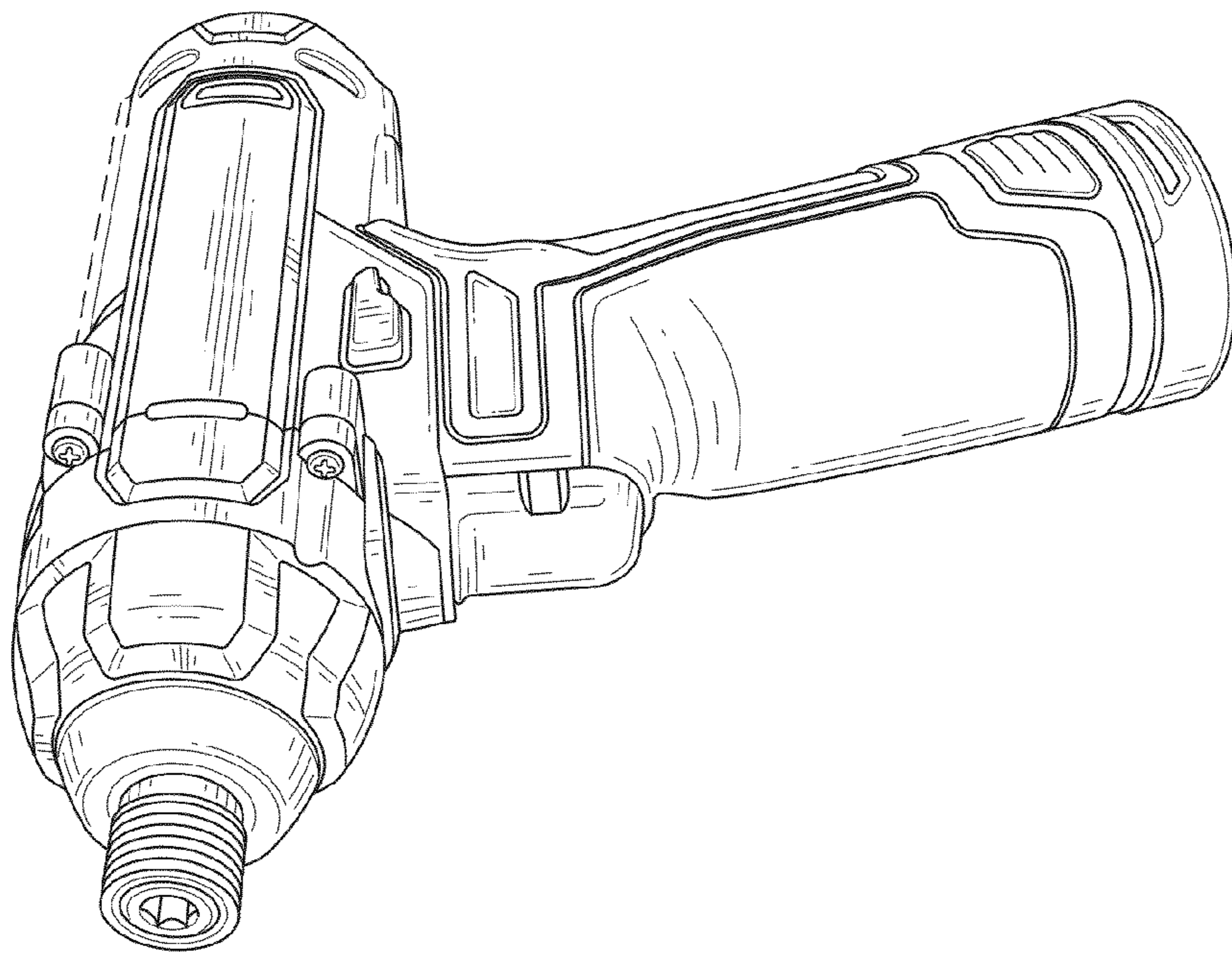


FIG. 6