



US00D755599S

(12) **United States Design Patent**
Payne

(10) **Patent No.:** **US D755,599 S**

(45) **Date of Patent:** **** May 10, 2016**

(54) **SCISSORS**

(71) Applicant: **Southwire Company, LLC**, Carrollton, GA (US)

(72) Inventor: **John Lawrence Payne**, Newnan, GA (US)

(73) Assignee: **Southwire Company, LLC**, Carrollton, GA (US)

(**) Term: **14 Years**

(21) Appl. No.: **29/504,885**

(22) Filed: **Oct. 10, 2014**

(51) **LOC (10) Cl.** **08-07**

(52) **U.S. Cl.**
USPC **D8/57**

(58) **Field of Classification Search**
USPC D8/51-58; D7/693, 687, 674
CPC A01G 3/02; A01G 3/065; A61B 17/3201;
B26B 13/28; B26B 13/10
See application file for complete search history.

(56) **References Cited**

U.S. PATENT DOCUMENTS

- 3,861,038 A * 1/1975 Charles B26B 13/285
30/261
- D419,842 S * 2/2000 Olix D8/57
- D427,869 S * 7/2000 Zoiss D8/57

- D442,046 S * 5/2001 Huang D8/57
- D445,010 S * 7/2001 Hesprich D8/57
- D450,987 S * 11/2001 Chien D7/693
- D457,400 S * 5/2002 Chai D8/5
- D483,239 S * 12/2003 Sprouse D8/57
- D485,149 S * 1/2004 Sprouse D8/107
- D608,613 S * 1/2010 Hedrick D8/57
- D611,793 S * 3/2010 Trewartha D8/5
- D623,917 S * 9/2010 Goetz D8/57
- D651,493 S * 1/2012 Bhasin D8/57
- D654,339 S * 2/2012 Lewis D8/57
- 2008/0172886 A1 * 7/2008 Jun B26B 13/20
30/232

* cited by examiner

Primary Examiner — Deanna L Pratt

(74) *Attorney, Agent, or Firm* — Hartman & Citrin LLC

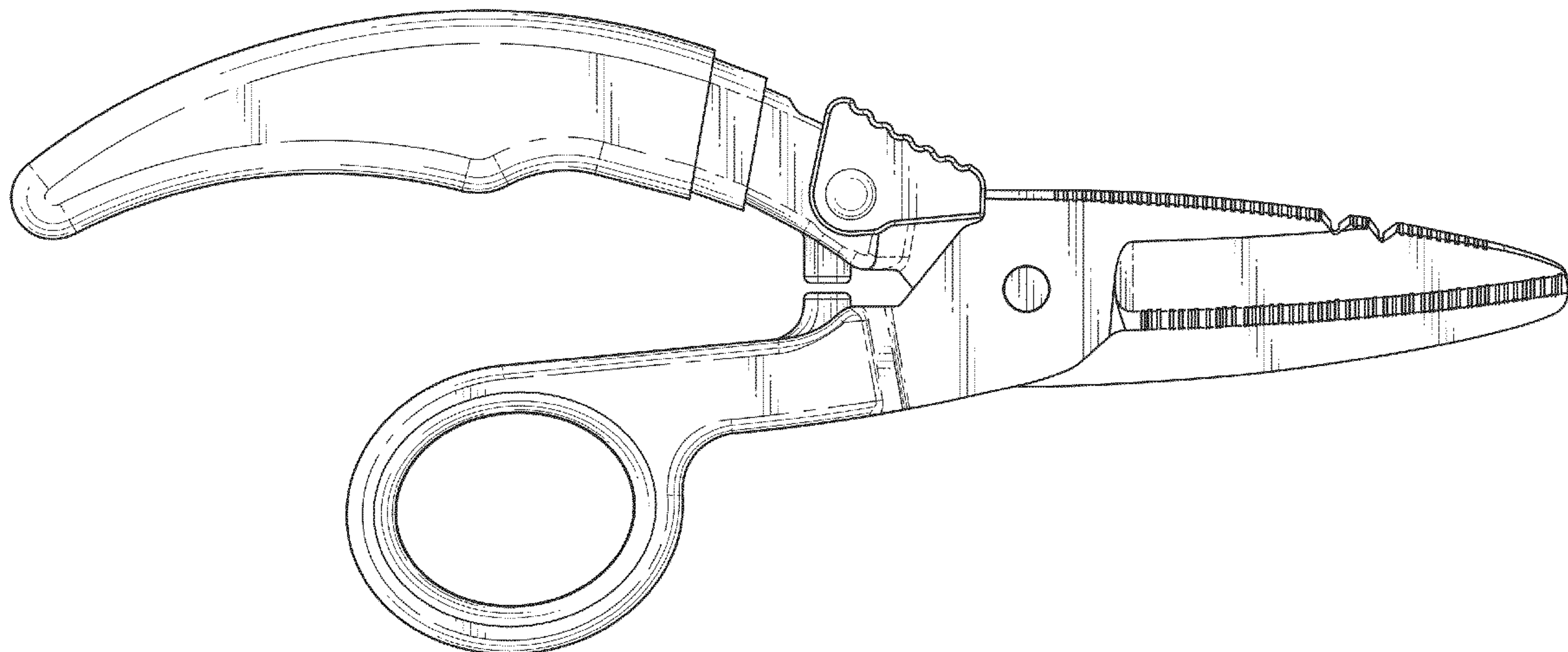
(57) **CLAIM**

The ornamental design for scissors, as shown and described.

DESCRIPTION

FIG. 1 is a perspective view of an embodiment of scissors according to my design;
FIG. 2 is a side view thereof;
FIG. 3 is a side view thereof;
FIG. 4 is a front view thereof;
FIG. 5 is a rear view thereof;
FIG. 6 is a top view thereof; and,
FIG. 7 is a bottom view thereof.

1 Claim, 5 Drawing Sheets



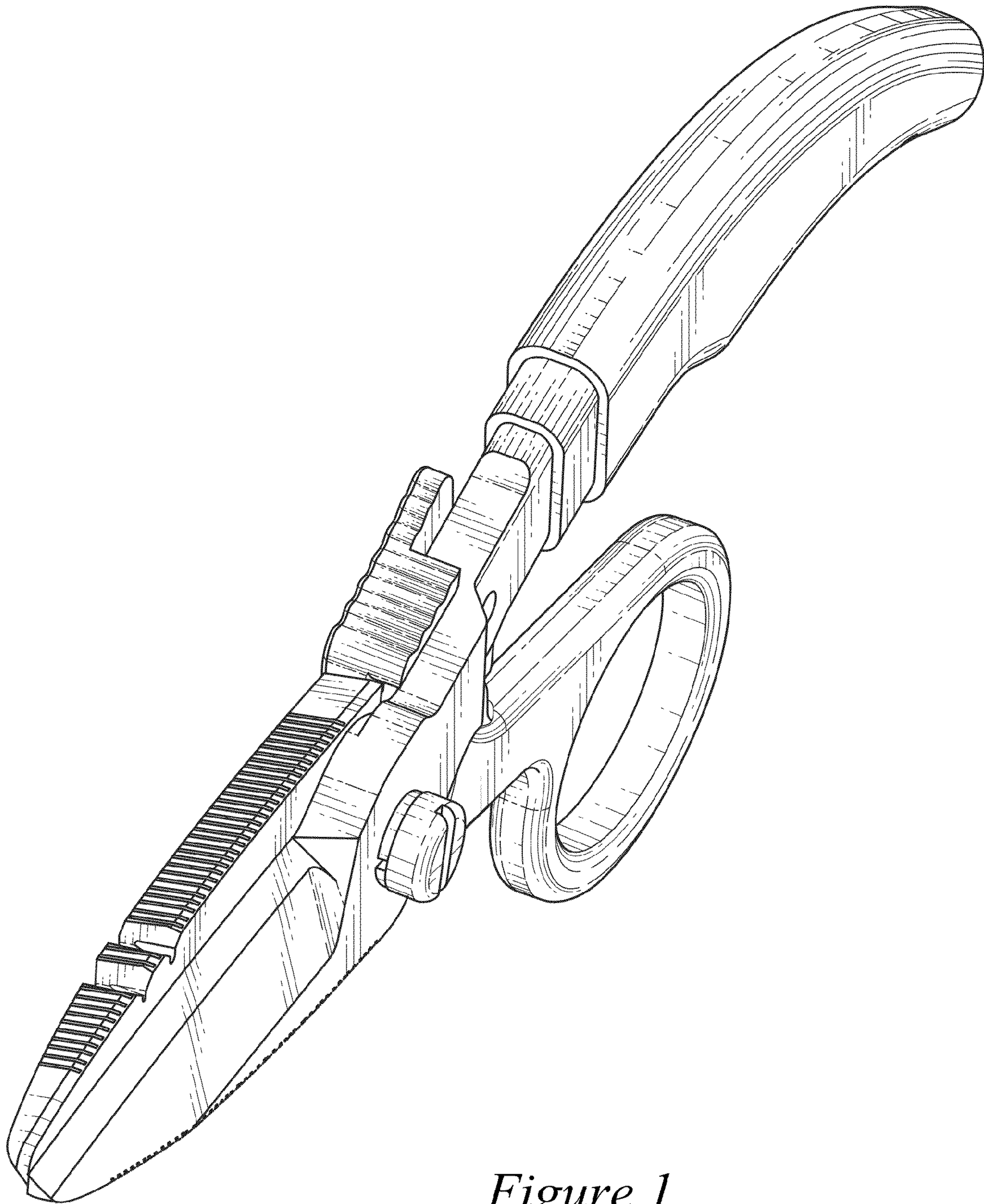


Figure 1

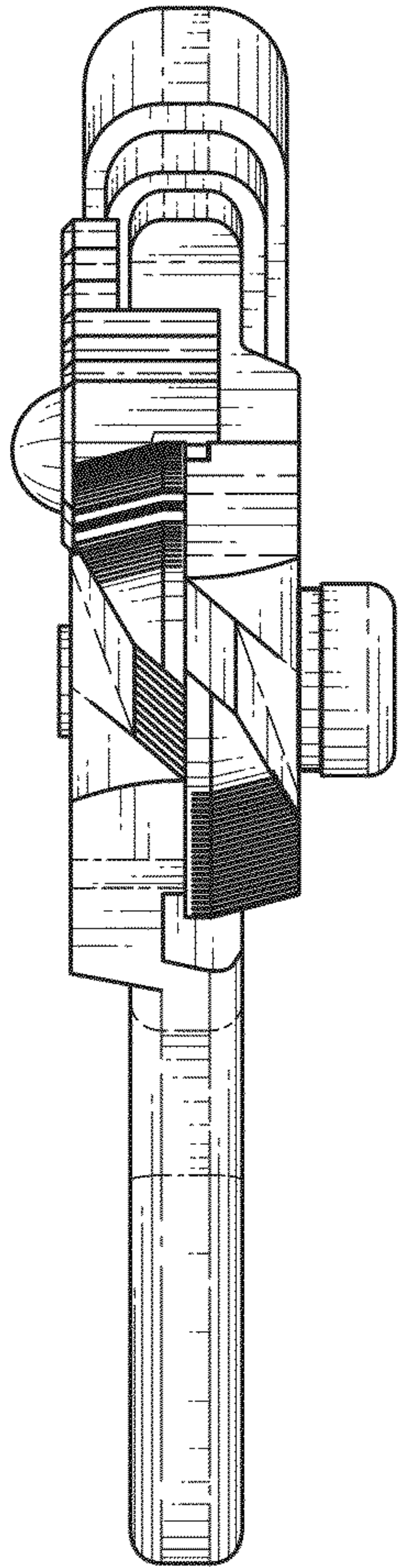


Figure 2

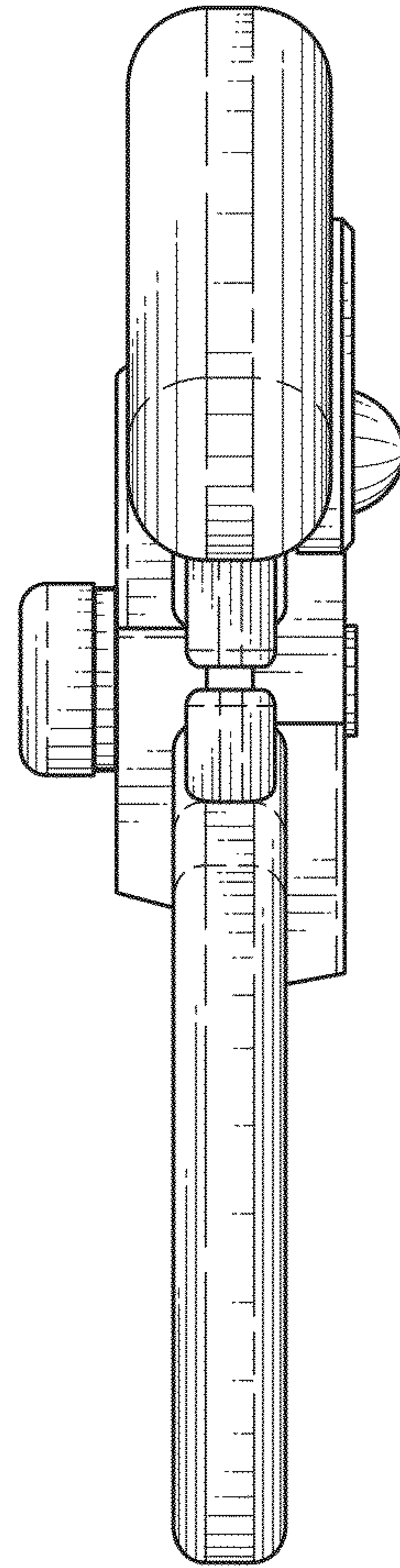


Figure 3

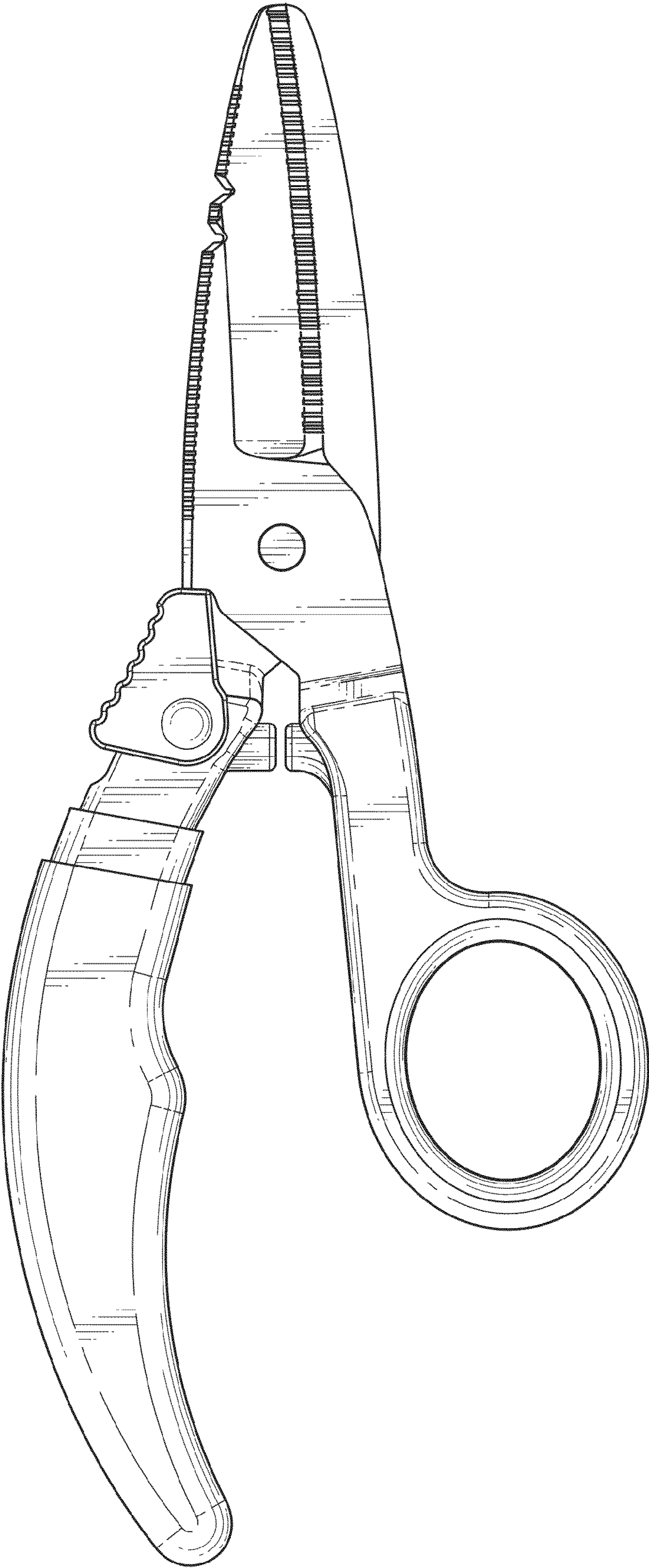


Figure 4

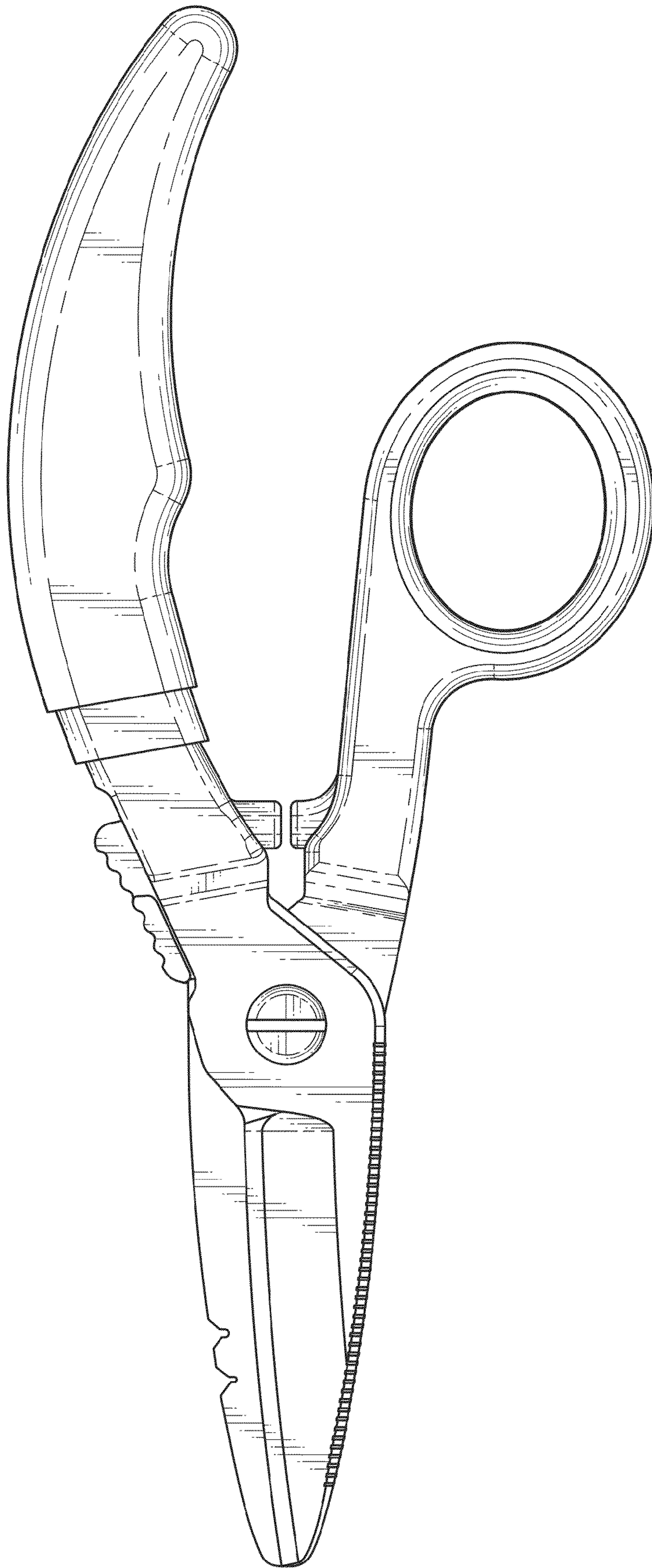


Figure 5

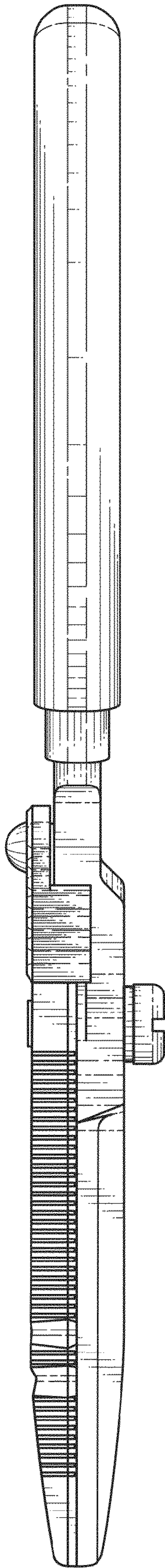


Figure 6

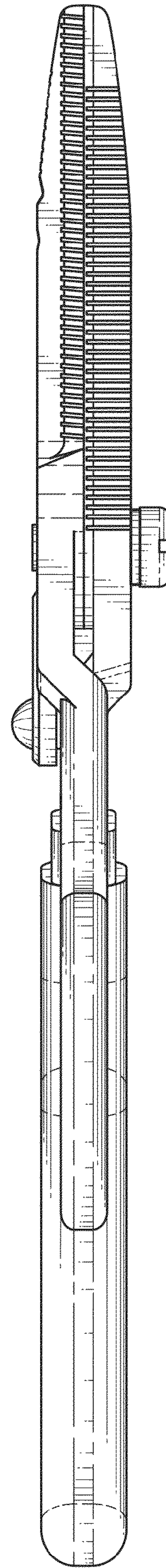


Figure 7