



US00D755597S

(12) **United States Design Patent**  
**Ciociolo, Jr.**

(10) **Patent No.:** **US D755,597 S**

(45) **Date of Patent:** **\*\* \*May 10, 2016**

(54) **CAN OPENER EXTENSION FIXTURE**

(71) Applicant: **Michael P Ciociolo, Jr.**, Santa Rosa, CA  
(US)

(72) Inventor: **Michael P Ciociolo, Jr.**, Santa Rosa, CA  
(US)

(\* ) Notice: This patent is subject to a terminal disclaimer.

(\*\*) Term: **14 Years**

(21) Appl. No.: **29/509,842**

(22) Filed: **Nov. 21, 2014**

(51) **LOC (10) Cl.** ..... **07-99**

(52) **U.S. Cl.**  
USPC ..... **D8/41**

(58) **Field of Classification Search**  
USPC ..... D8/16, 18, 19, 33-43, 89, 98-104, 396,  
D8/105; D7/395; 30/294  
CPC ..... B67B 7/00; B67B 7/14; B67B 7/16;  
B67B 7/24; B67B 7/30; B67B 7/32; B67B  
7/34; B67B 7/36; B67B 7/38; B67B 7/44  
See application file for complete search history.

(56) **References Cited**

**U.S. PATENT DOCUMENTS**

1,492,908 A \* 5/1924 Trumbo ..... 7/151  
D167,251 S \* 7/1952 Borland ..... D8/33

2,618,054 A \* 11/1952 Pluska ..... 30/418  
D184,640 S \* 3/1959 Roethel ..... D8/33  
3,307,256 A \* 3/1967 Powers ..... 30/410  
4,680,993 A \* 7/1987 Feliz ..... 81/3.37  
D308,321 S \* 6/1990 Prince ..... D8/33  
D329,789 S \* 9/1992 Bartlett et al. .... D8/33  
D441,266 S \* 5/2001 Chong ..... D8/41  
D538,118 S \* 3/2007 Chong ..... D8/33

\* cited by examiner

*Primary Examiner* — Elizabeth Albert

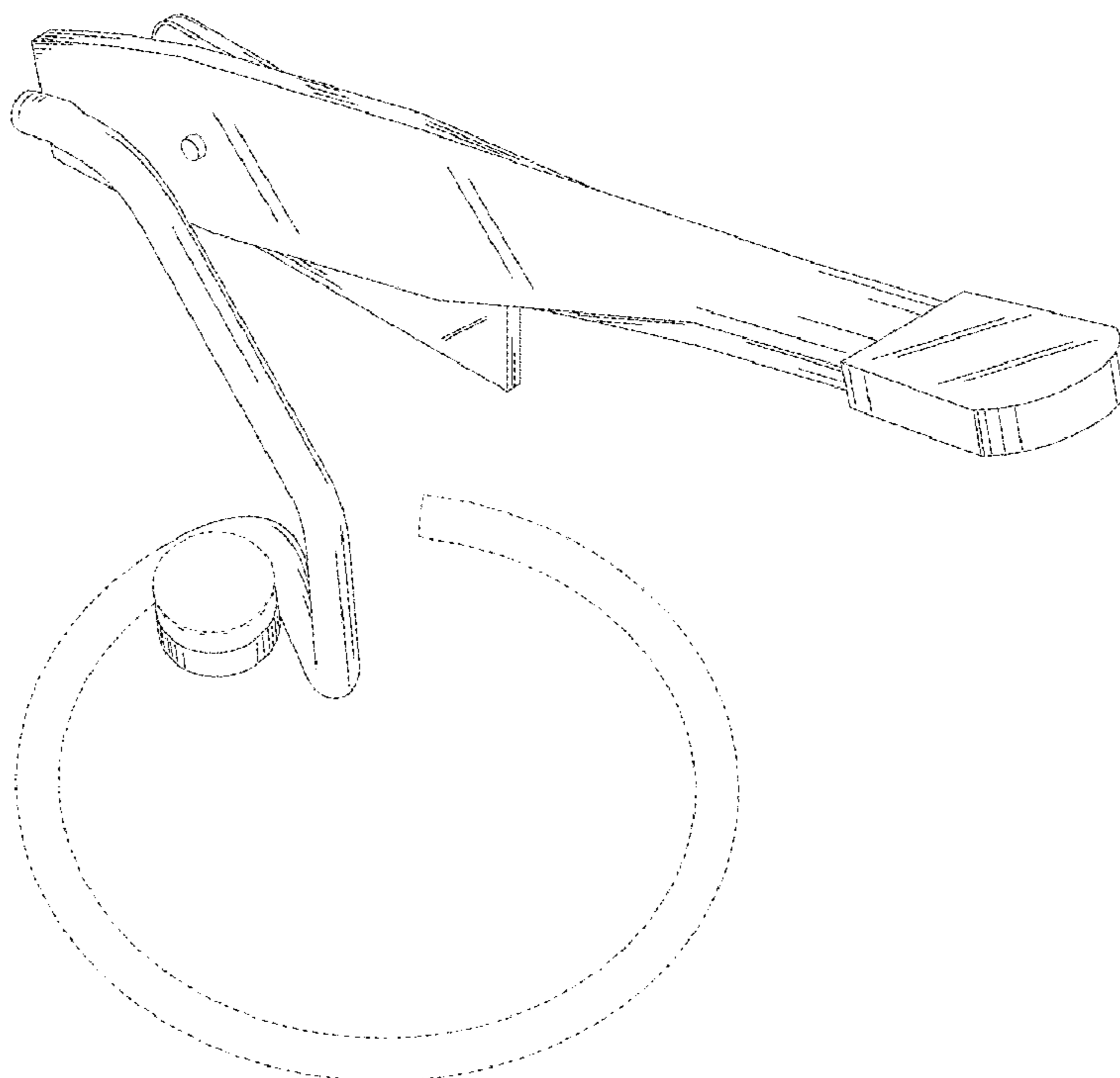
(57) **CLAIM**

The ornamental design for a can opener extension fixture, as shown and described.

**DESCRIPTION**

FIG. 1 is a perspective view of a can opener extension fixture showing my new design;  
FIG. 2 is another perspective view thereof taken from the opposite end of FIG. 1;  
FIG. 3 is a still another perspective view thereof;  
FIG. 4 is a top plan view thereof;  
FIG. 5 is a bottom plan view thereof;  
FIG. 6 is a right side elevational view thereof;  
FIG. 7 is a left side elevational view thereof;  
FIG. 8 is a front elevational view thereof; and,  
FIG. 9 is a back elevational view thereof.  
The broken lines in FIGS. 1 to 9 are included to show portions of the can opener extension fixture that form no part of the claimed design.

**1 Claim, 9 Drawing Sheets**



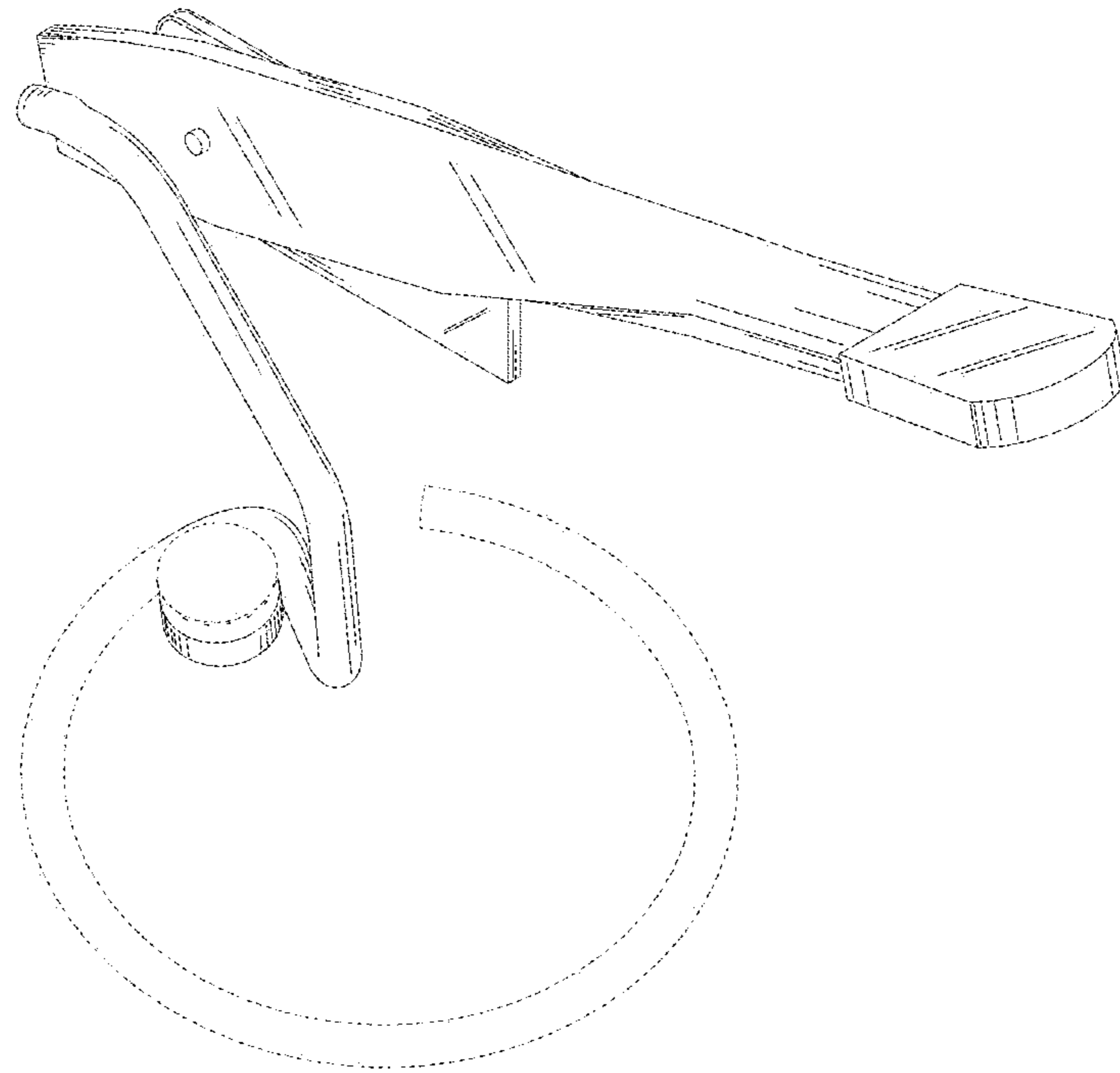


FIG. 1

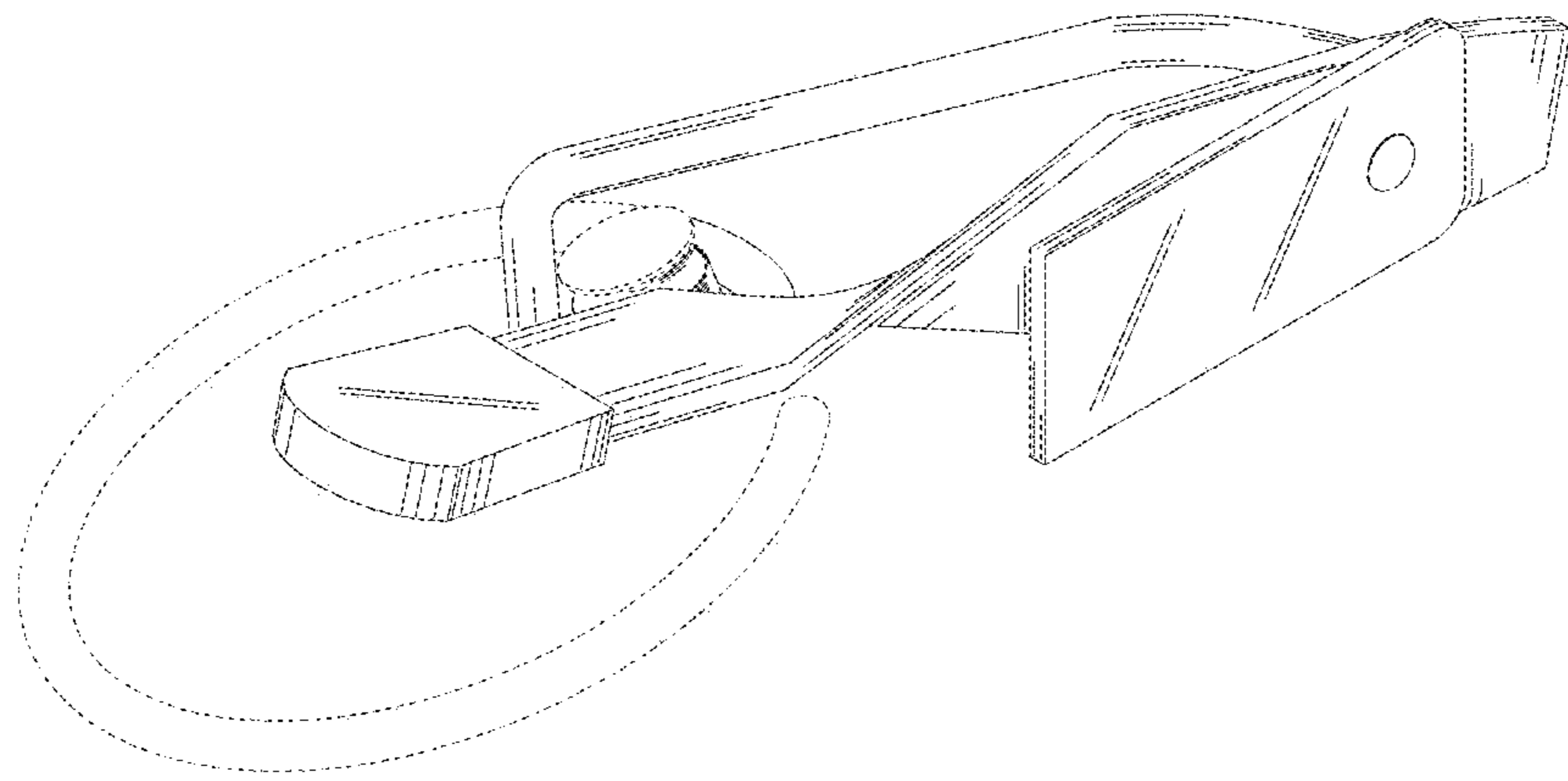


FIG. 2

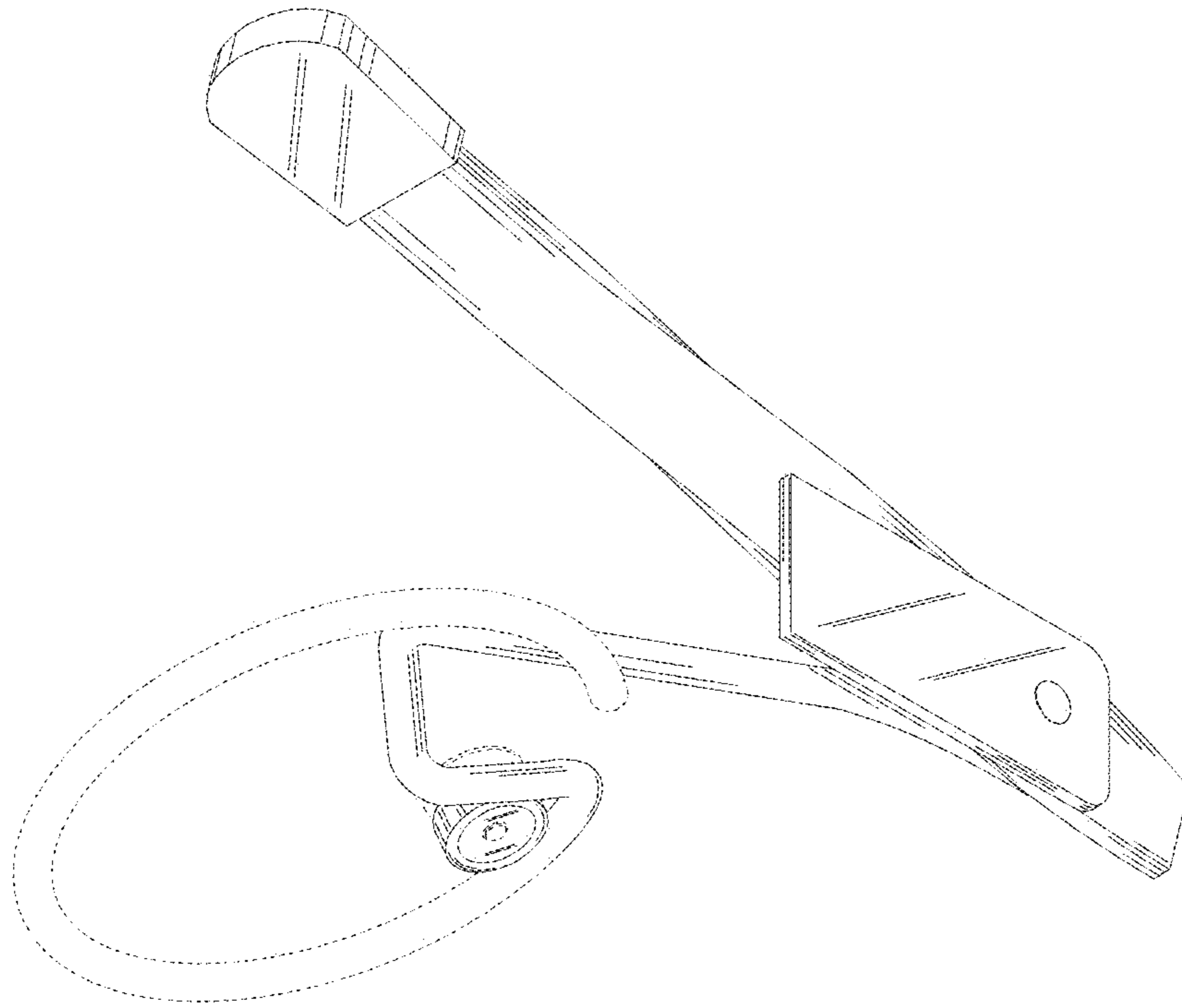


FIG. 3

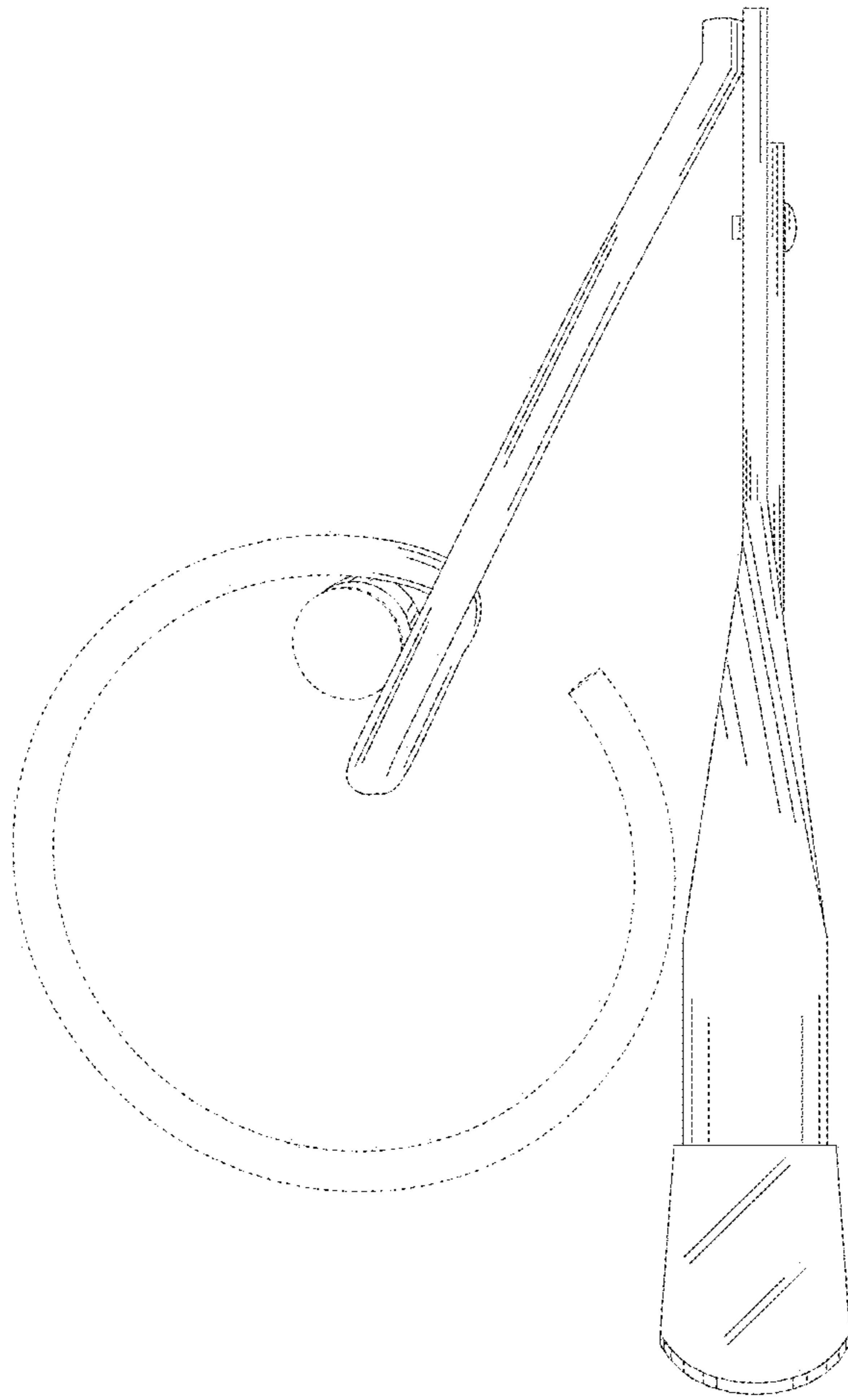


FIG. 4

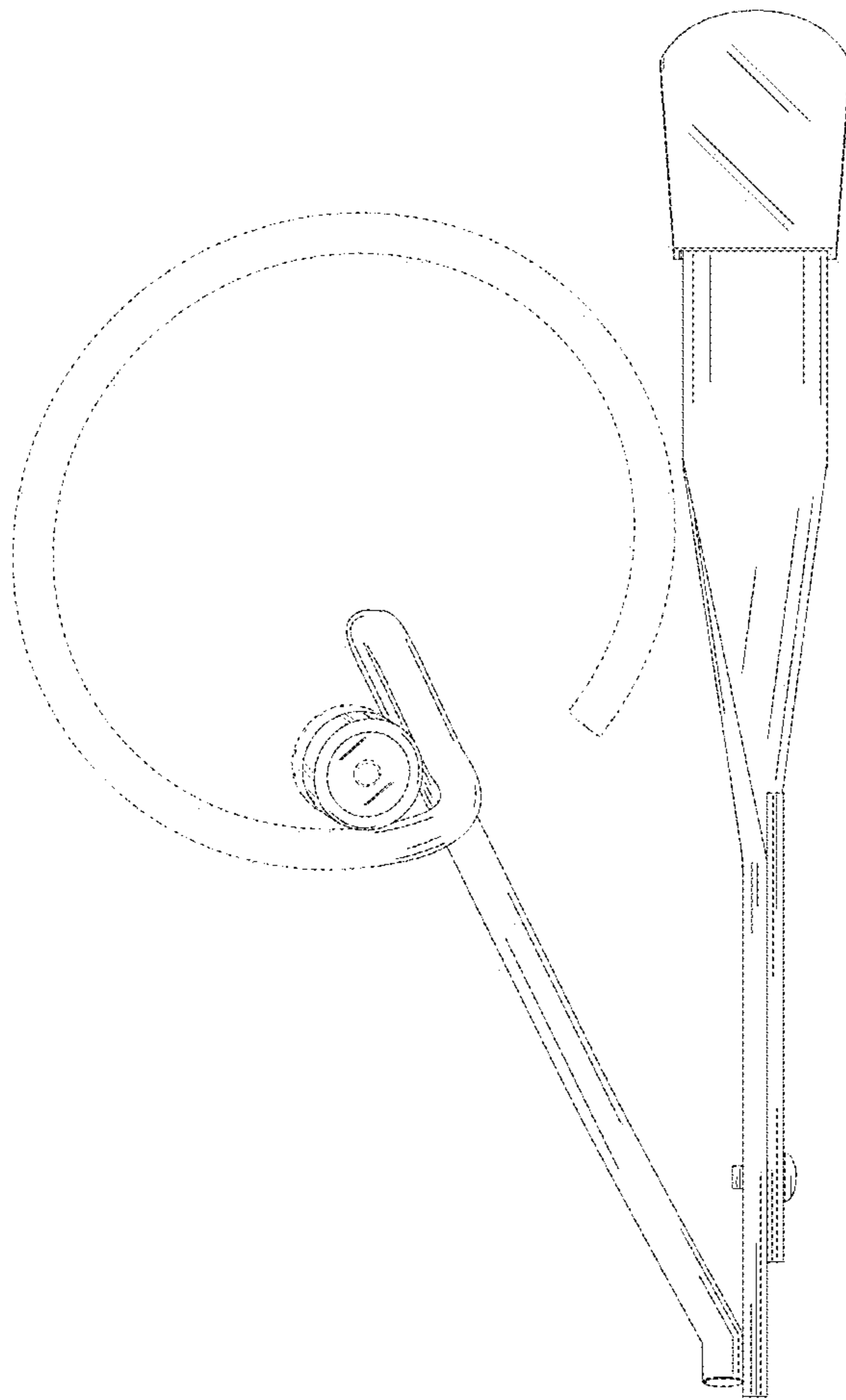


FIG. 5

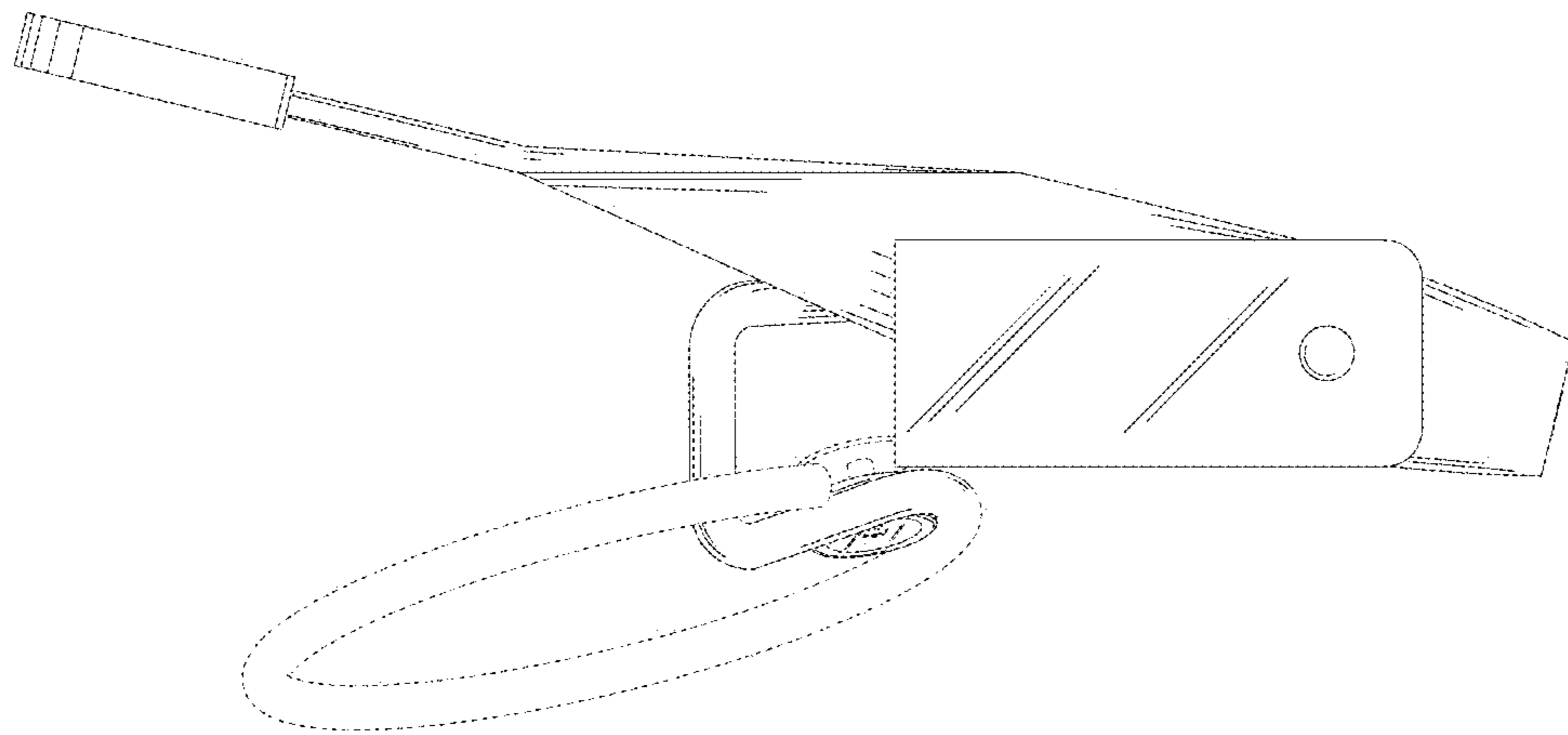


FIG. 6

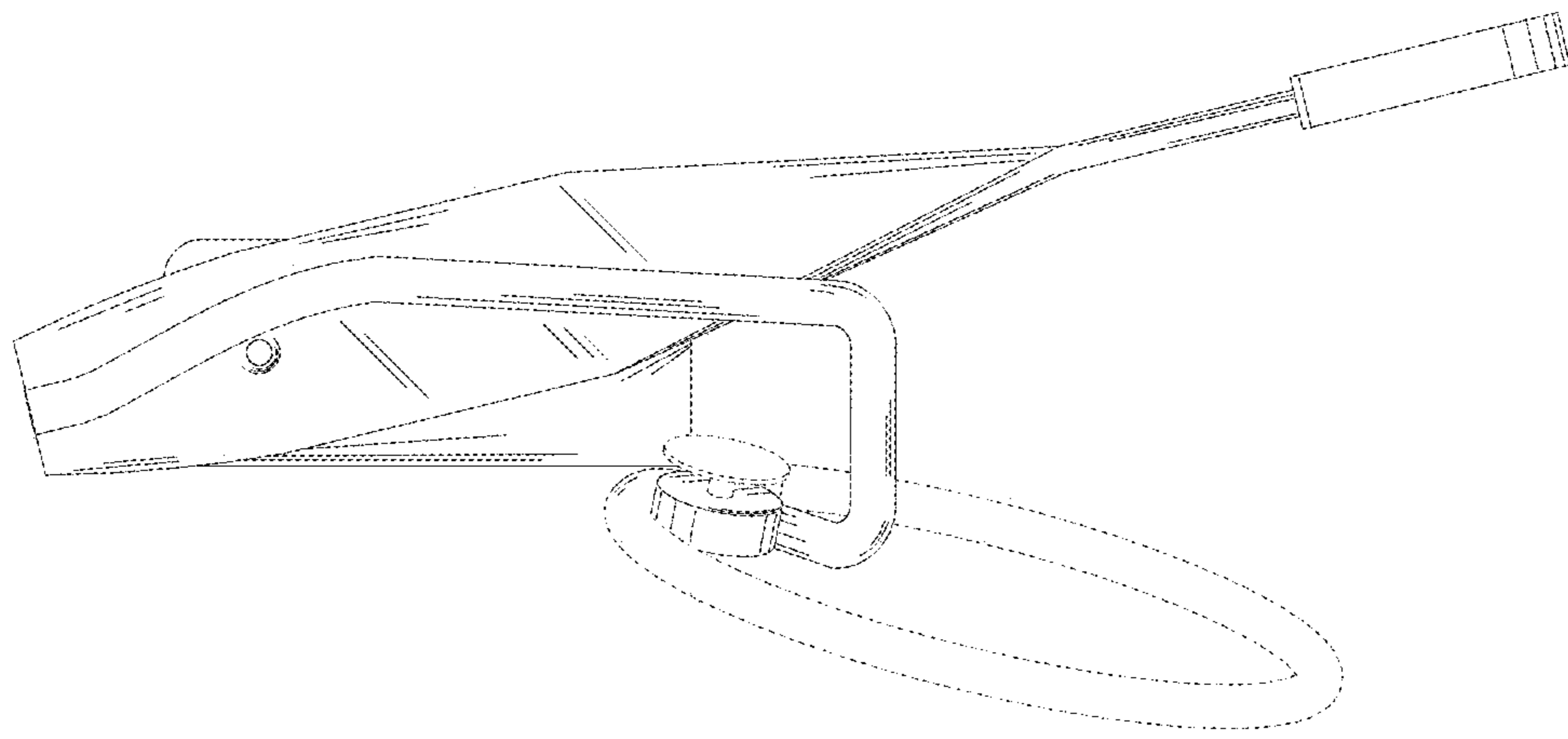


FIG. 7



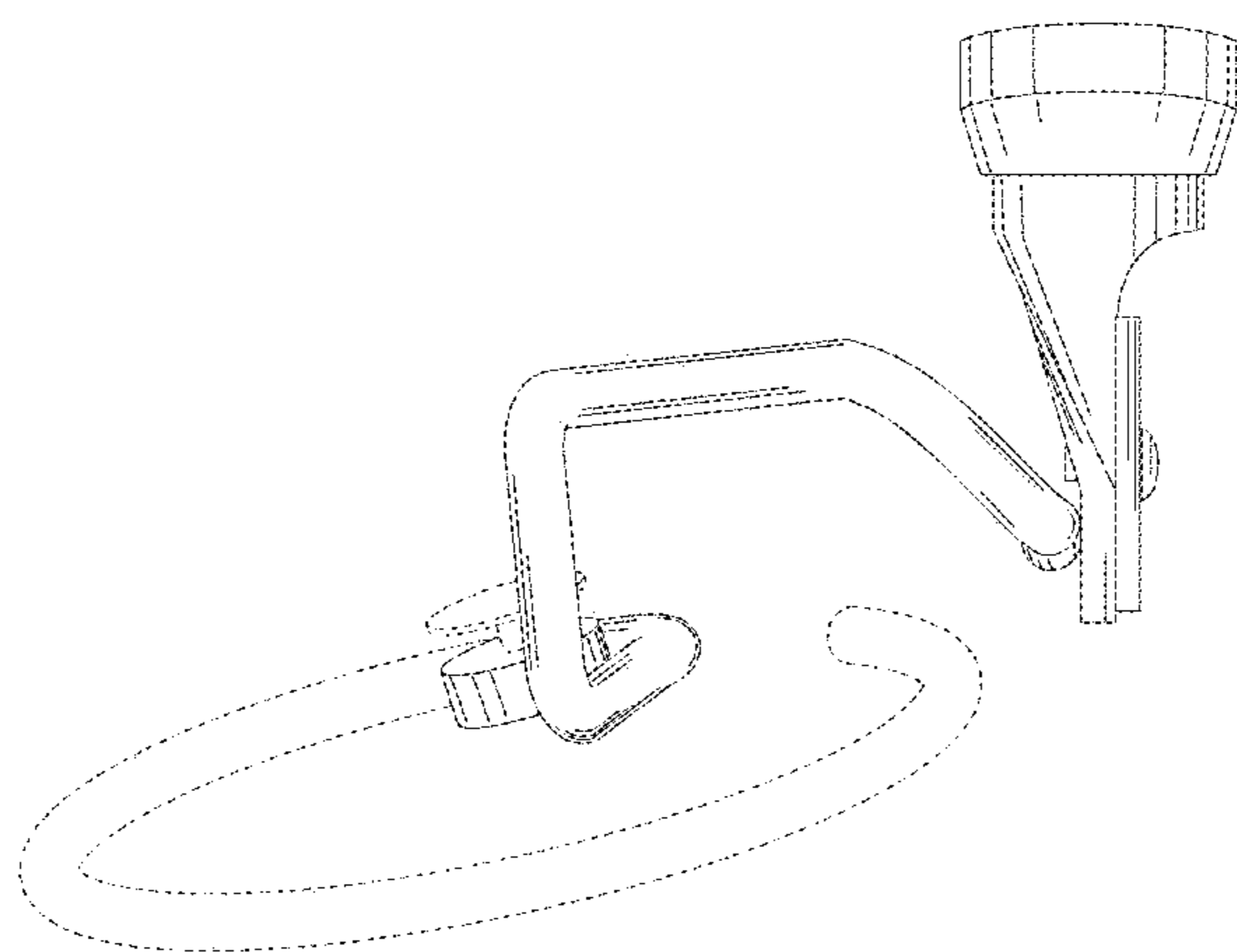


FIG. 8

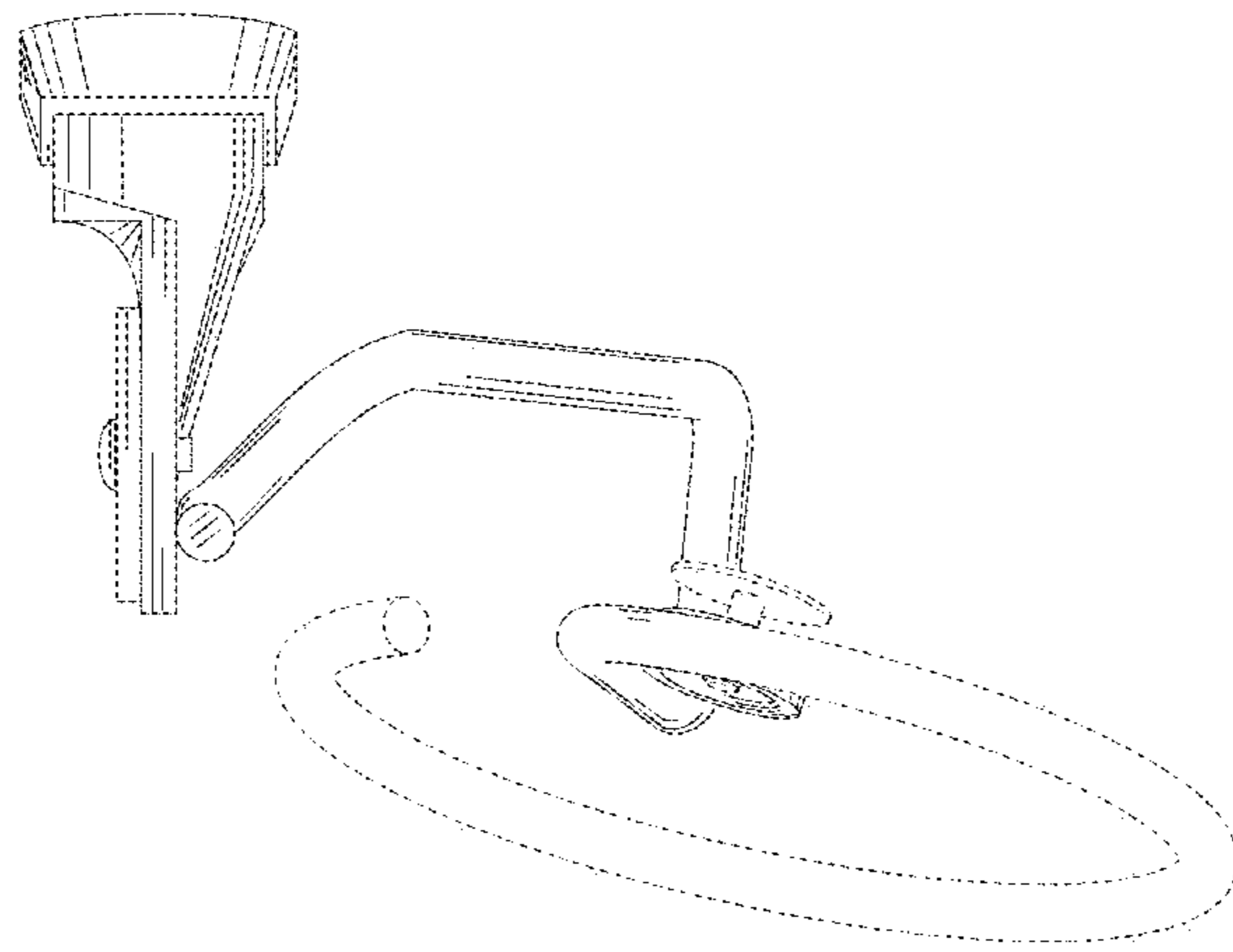


FIG. 9