



US00D755596S

(12) **United States Design Patent**  
**Ranftl**

(10) **Patent No.:** **US D755,596 S**

(45) **Date of Patent:** **\*\* May 10, 2016**

(54) **CAP REMOVER AND TIGHTENER**

(71) Applicant: **Robert W. Ranftl**, Rolling Hills Estates,  
CA (US)

(72) Inventor: **Robert W. Ranftl**, Rolling Hills Estates,  
CA (US)

(\*\*) Term: **14 Years**

(21) Appl. No.: **29/521,110**

(22) Filed: **Mar. 19, 2015**

(51) **LOC (10) Cl.** ..... **07-99**

(52) **U.S. Cl.**  
USPC ..... **D8/40**

(58) **Field of Classification Search**  
USPC ..... D8/16, 18, 33-43, 98, 104  
CPC ..... B67B 7/00; B67B 7/14; B67B 7/16;  
B67B 7/24; B67B 7/30; B67B 7/32; B67B  
7/34; B67B 7/36; B67B 7/38  
See application file for complete search history.

(56) **References Cited**

U.S. PATENT DOCUMENTS

1,919,866	A *	7/1933	Schacht	.....	B67B 7/18 81/3.4
2,172,293	A *	9/1939	Plasse	.....	B67B 7/26 222/90
2,801,464	A *	8/1957	Brownfield	.....	B67B 7/24 220/277
3,225,714	A *	12/1965	Gaskell	.....	A21C 7/04 366/69
3,581,605	A *	6/1971	Taylor	.....	B67B 7/24 215/297
4,074,426	A *	2/1978	Brandt	.....	B67B 7/30 30/1.5
4,414,865	A *	11/1983	Brooks	.....	B67B 7/18 81/3.09
4,433,597	A *	2/1984	Rowland	.....	B67B 7/16 7/151

D277,160	S *	1/1985	Antone	.....	7/151
D280,594	S *	9/1985	Dow	.....	D8/40
4,723,465	A *	2/1988	Hughes	.....	B67B 7/44 81/3.09
4,760,763	A *	8/1988	Trick	.....	B67B 7/18 81/3.09
D365,261	S *	12/1995	Munro	.....	D8/40
D452,802	S *	1/2002	Peabody	.....	D8/33
D482,251	S *	11/2003	Kelleghan	.....	D8/40
D484,069	S *	12/2003	Robinson	.....	D11/80
D497,088	S *	10/2004	Davis	.....	D8/40
7,267,031	B1 *	9/2007	Burton	.....	B67B 7/18 81/3.09
D655,143	S *	3/2012	Lindsey	.....	D8/40

\* cited by examiner

*Primary Examiner* — Elizabeth Albert

(74) *Attorney, Agent, or Firm* — Roy A. Ekstrand

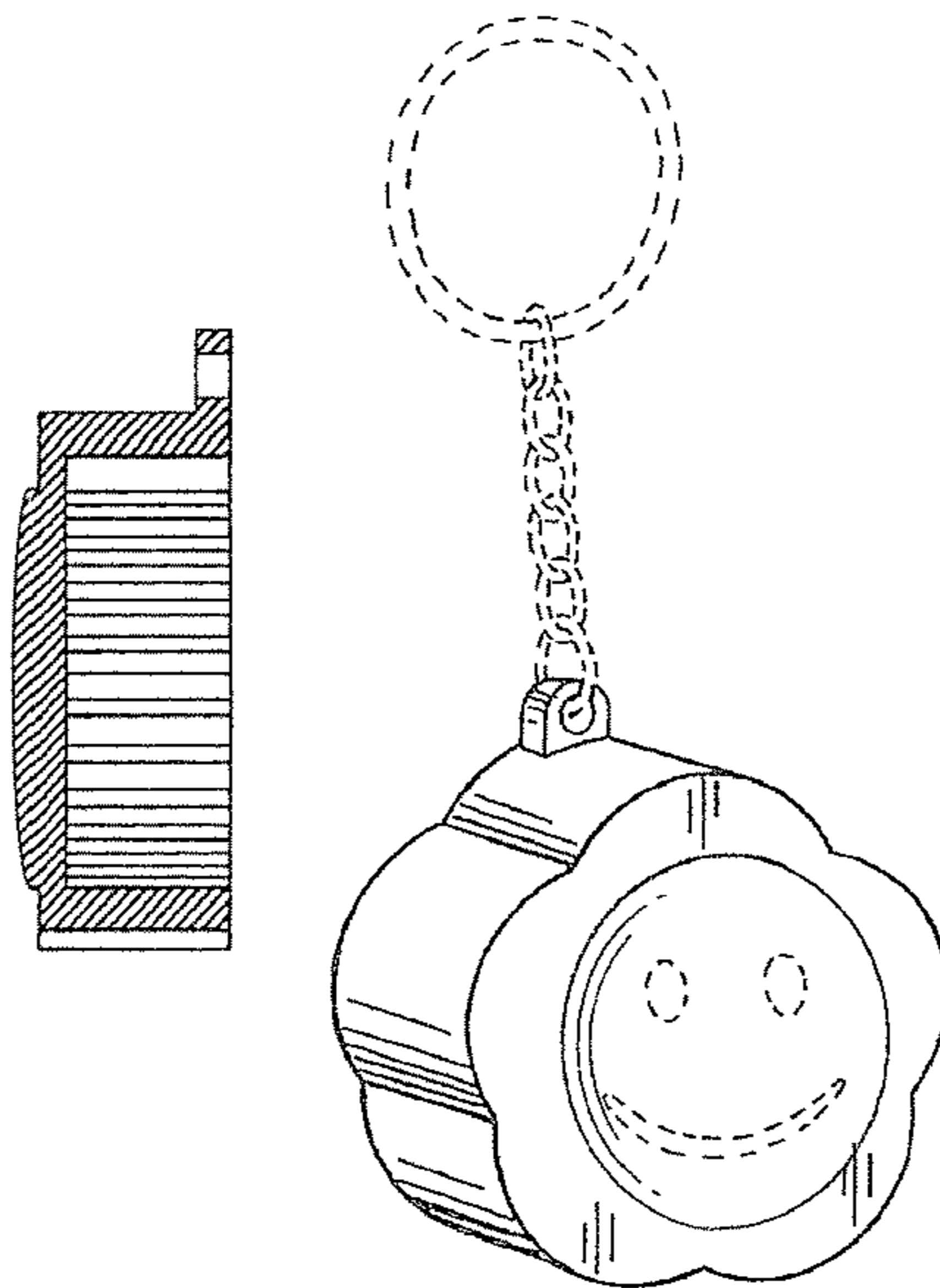
(57) **CLAIM**

The ornamental design for cap remover and tightener, as shown and described.

**DESCRIPTION**

FIG. 1 is a front view of a cap remover and tightener showing my new design;  
 FIG. 2 is a top view thereof;  
 FIG. 3 is a bottom view thereof;  
 FIG. 4 is a right side view thereof, the left side being a mirror image thereof;  
 FIG. 5 is a rear view thereof;  
 FIG. 6 is a sectional view thereof, taken along the line 6-6 in FIG. 1; and,  
 FIG. 7 is a perspective view thereof.  
 The broken lines showing the face in FIG. 7 represent unclaimed lines on a claimed surface. The broken lines showing a ring and chain in FIG. 7 are included to show features that form no part of the claimed design.

**1 Claim, 4 Drawing Sheets**



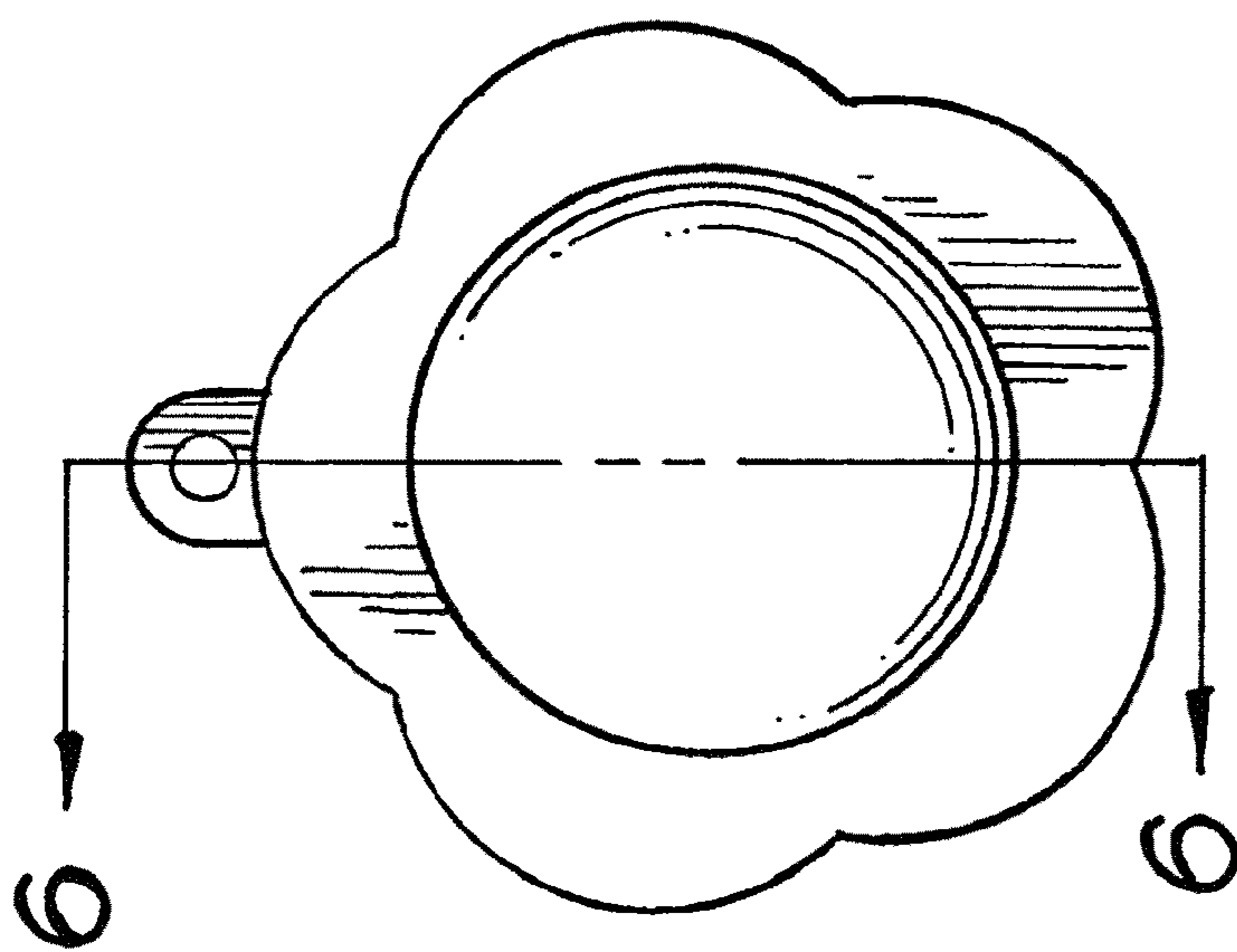


FIG. 1

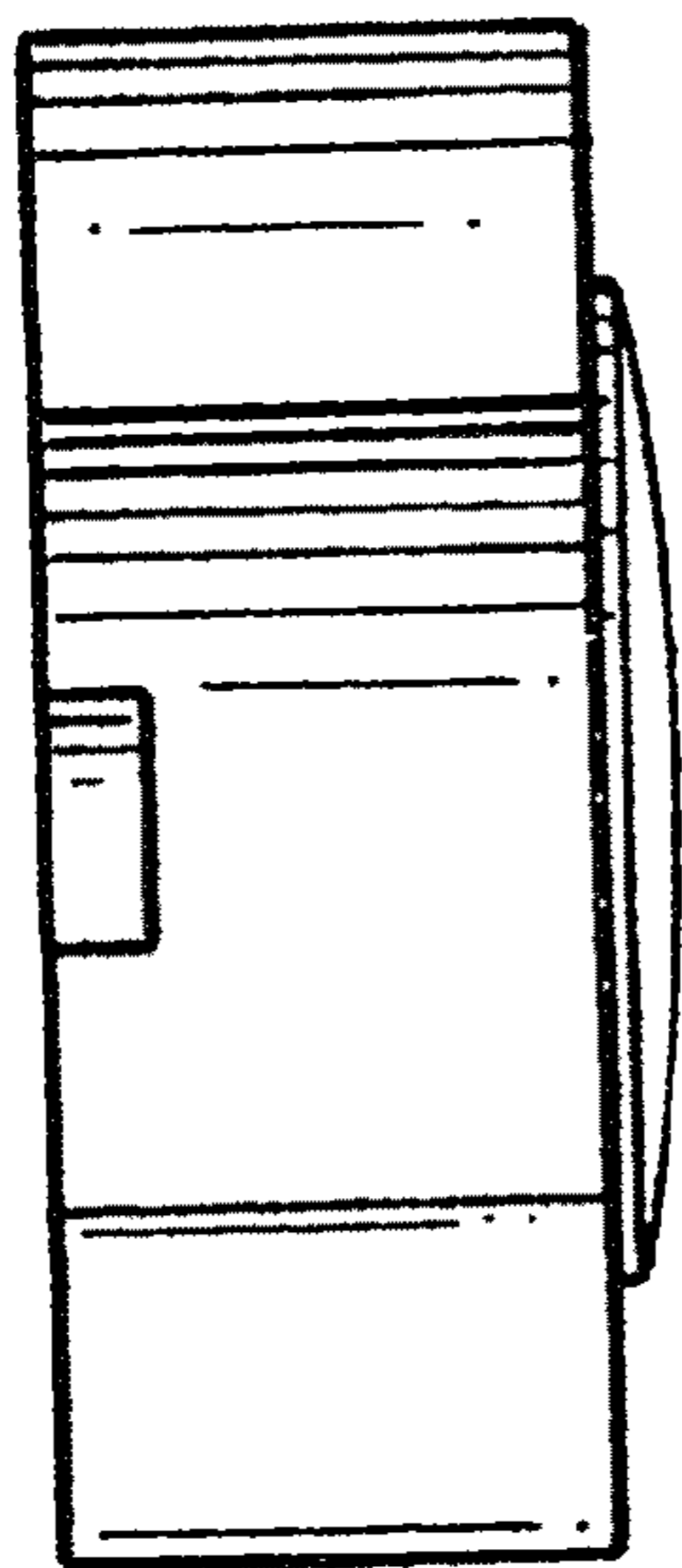


FIG. 2

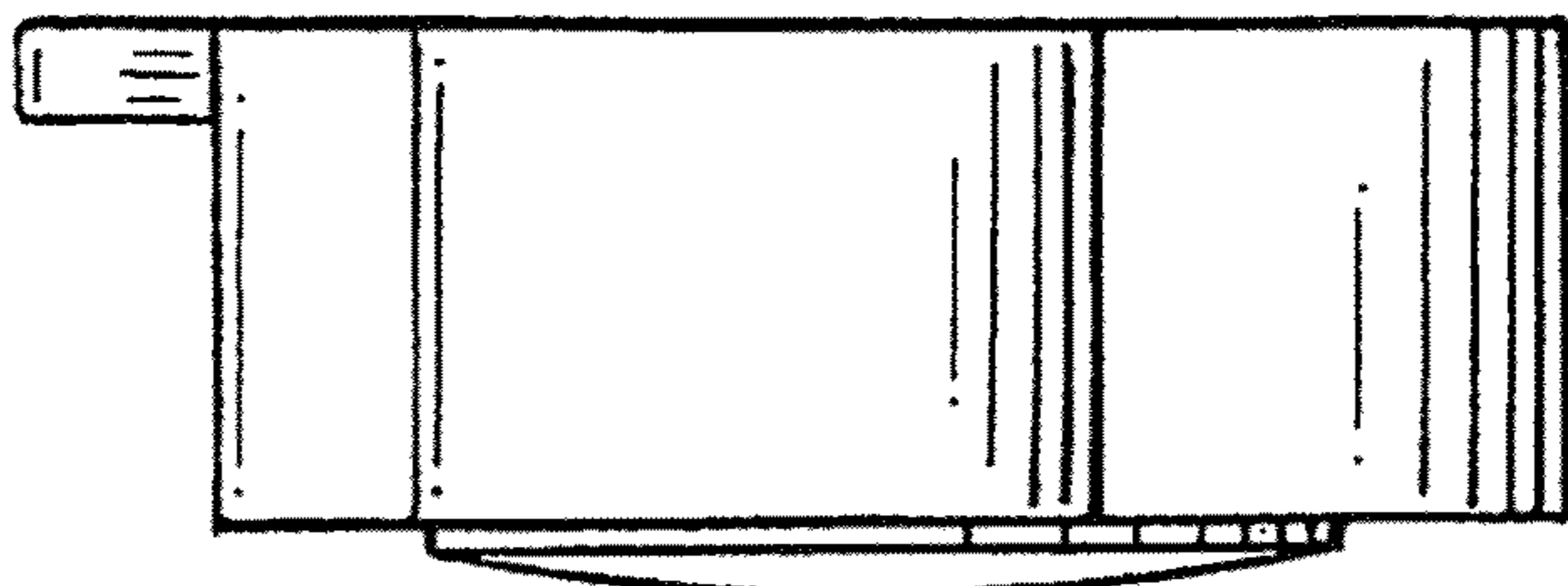


FIG. 4

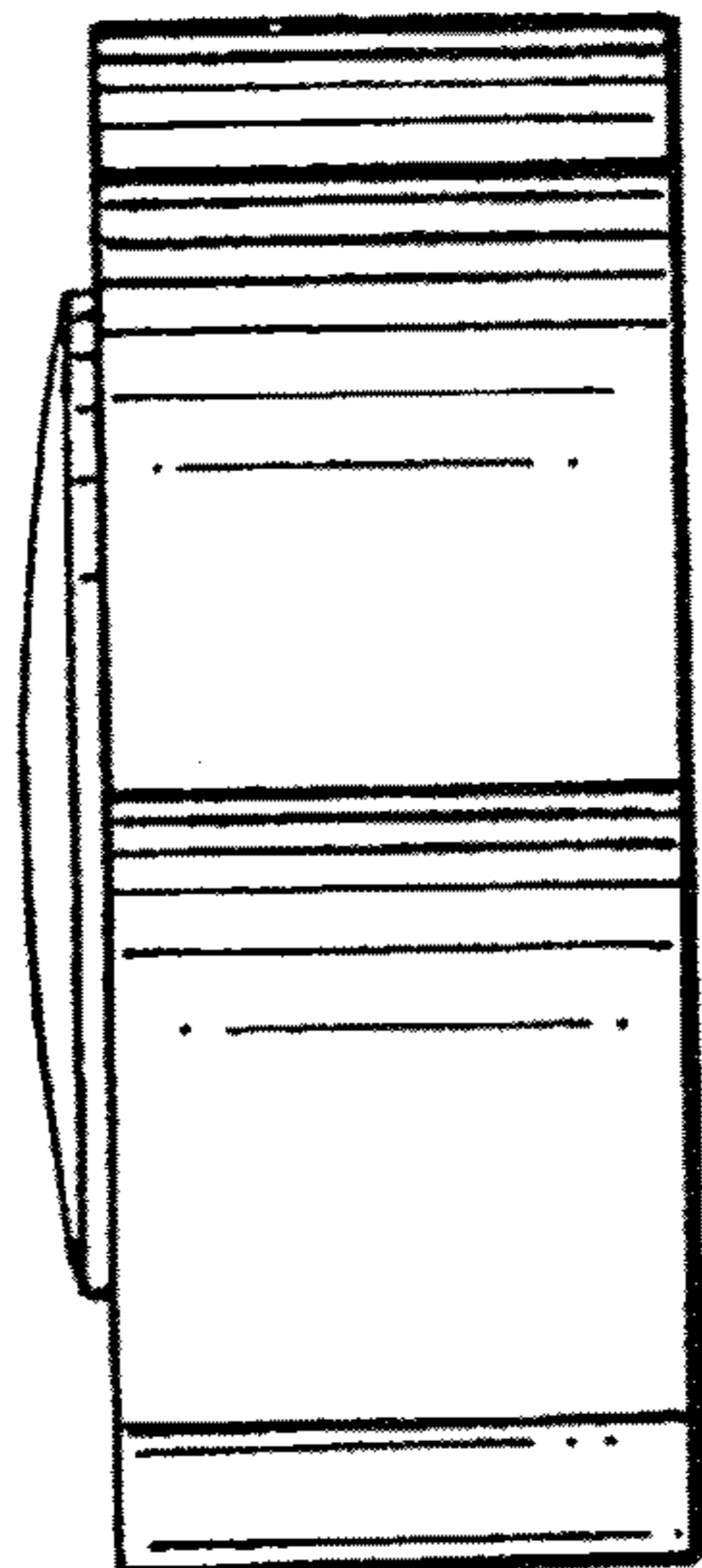


FIG. 3

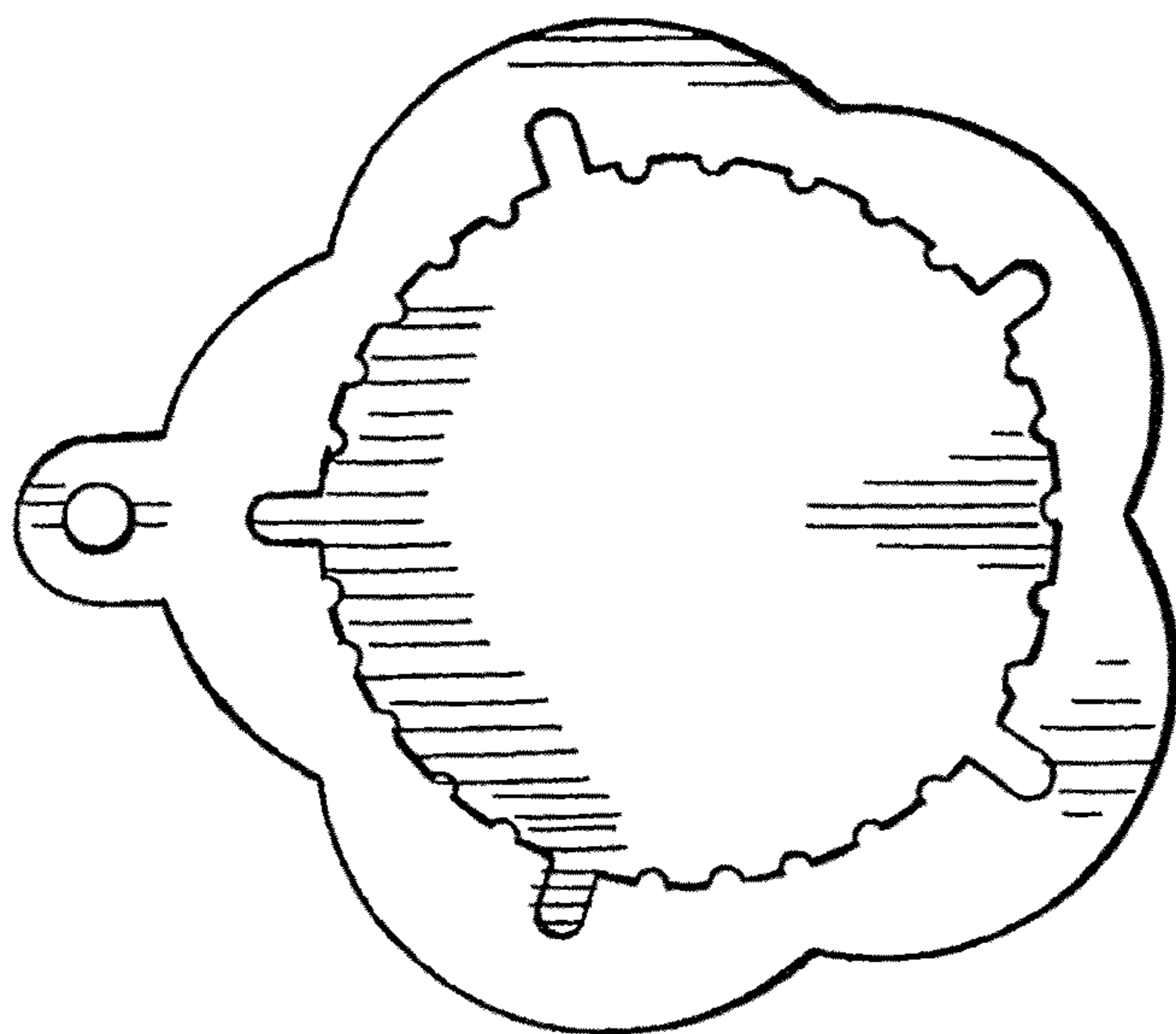


FIG. 5

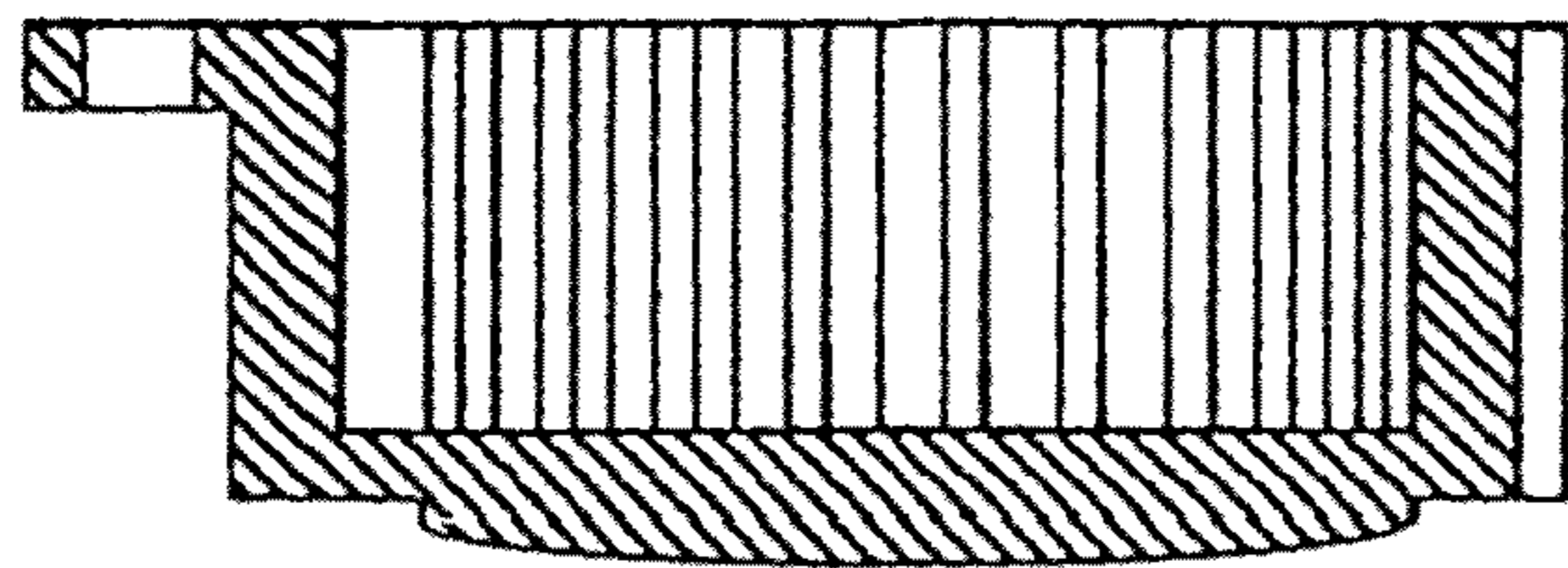


FIG. 6

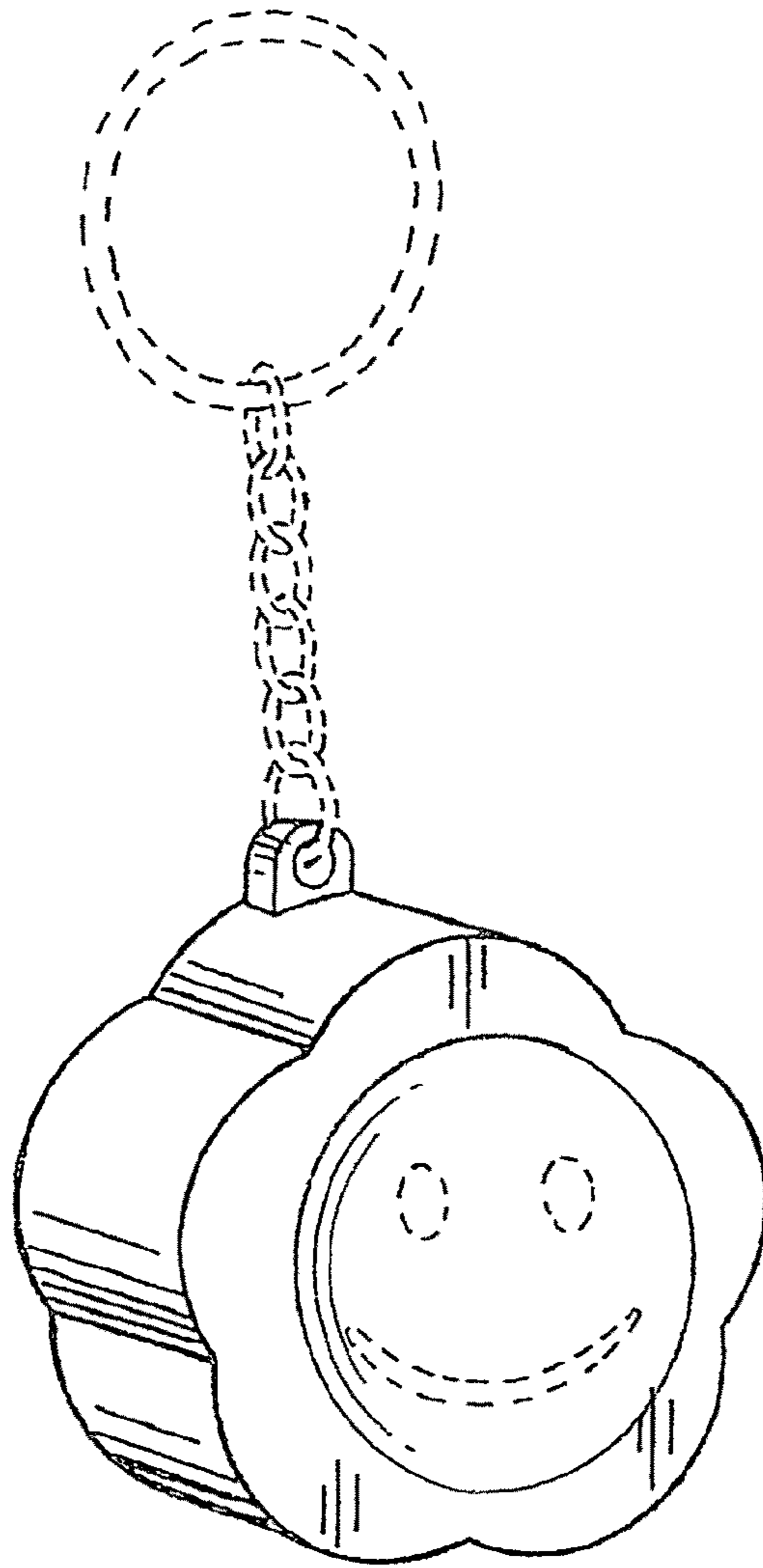


FIG. 7