



US00D755595S

(12) **United States Design Patent**
Dauster

(10) **Patent No.:** **US D755,595 S**

(45) **Date of Patent:** **** May 10, 2016**

(54) **RATCHET TOOL**

(71) Applicant: **AESFULAP IMPLANT SYSTEMS, LLC**, Center Valley, PA (US)

(72) Inventor: **Andrew Dauster**, Breinigsville, PA (US)

(73) Assignee: **AESFULAP IMPLANT SYSTEMS, LLC.**, Center Valley, PA (US)

(**) Term: **15 Years**

(21) Appl. No.: **29/536,969**

(22) Filed: **Aug. 20, 2015**

Related U.S. Application Data

(62) Division of application No. 29/480,542, filed on Jan. 27, 2014, now Pat. No. Des. 739,193, which is a division of application No. 29/449,899, filed on Mar. 15, 2013, now Pat. No. Des. 701,100.

(51) **LOC (10) Cl.** **08-05**

(52) **U.S. Cl.**
USPC **D8/25**

(58) **Field of Classification Search**
USPC D8/25, 60, 97, 107; 81/177.1, 177.85, 81/121.1, 124.3, 165-170, 110.1, 176.2, 81/124.6, 176.1, 176.15, 177.2, 186, 467, 81/476, 478, 480; 16/110.1; 192/44, 45, 192/54.52; D24/133, 145, 147; 606/54, 59, 606/62, 63, 60, 64
CPC A61B 5/00; A61B 17/00

See application file for complete search history.

(56) **References Cited**

U.S. PATENT DOCUMENTS

5,484,437	A *	1/1996	Michelson	606/86 A
D394,789	S *	6/1998	Futo et al.	D8/22
7,914,530	B2 *	3/2011	Michelson	606/52
D636,875	S *	4/2011	Clement	D24/146
8,327,740	B2 *	12/2012	Rasmussen	81/467
8,734,447	B1 *	5/2014	Michaelson	606/60

* cited by examiner

Primary Examiner — Randall Gholson

(74) *Attorney, Agent, or Firm* — Kenealy Vaidya LLP

(57) **CLAIM**

The ornamental design for a ratchet tool, as shown and described.

DESCRIPTION

FIG. 1 is a top perspective view of a ratchet tool showing my new design;

FIG. 2 is a bottom perspective view of the ratchet tool;

FIG. 3 is a top plan view of the ratchet tool;

FIG. 4 is a bottom plan view of the ratchet tool;

FIG. 5 is a first side view of the ratchet tool;

FIG. 6 is a second side view of the ratchet tool;

FIG. 7 is a first end view of the ratchet tool; and,

FIG. 8 is a second end view of the ratchet tool.

The broken lines depict portions of the ratchet tool that form no part of the claimed design.

1 Claim, 4 Drawing Sheets

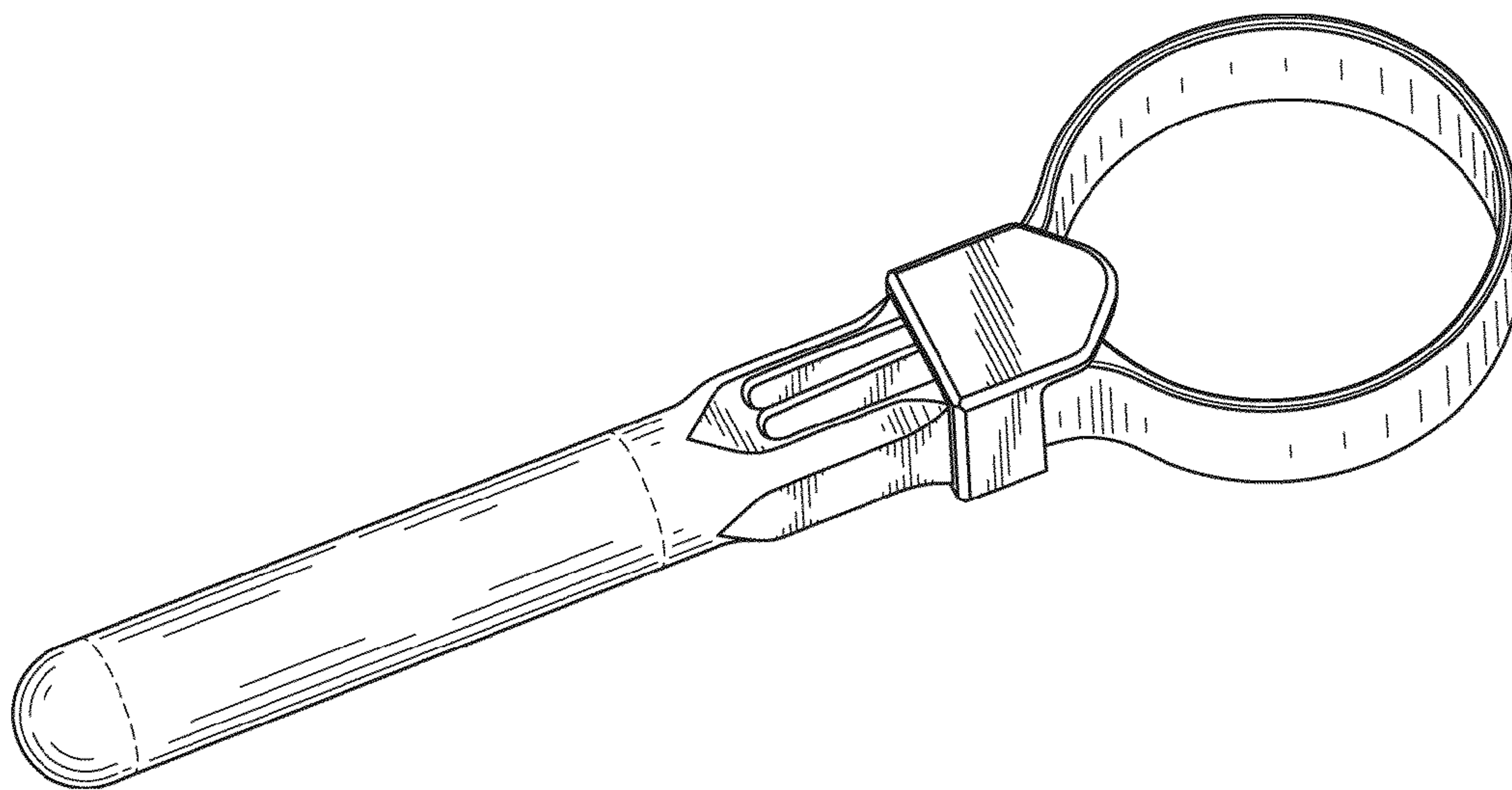


Fig. 1

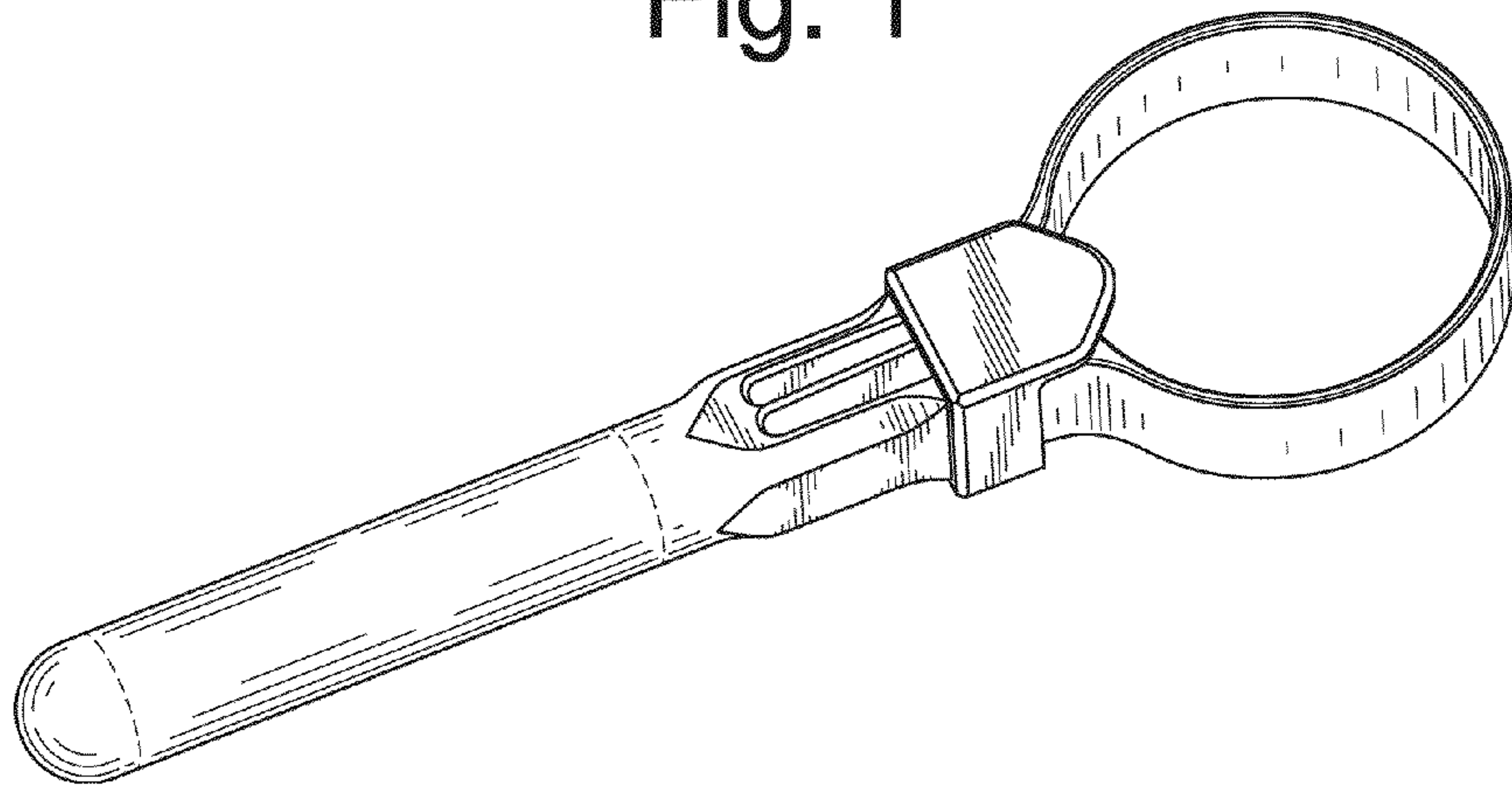


Fig. 2

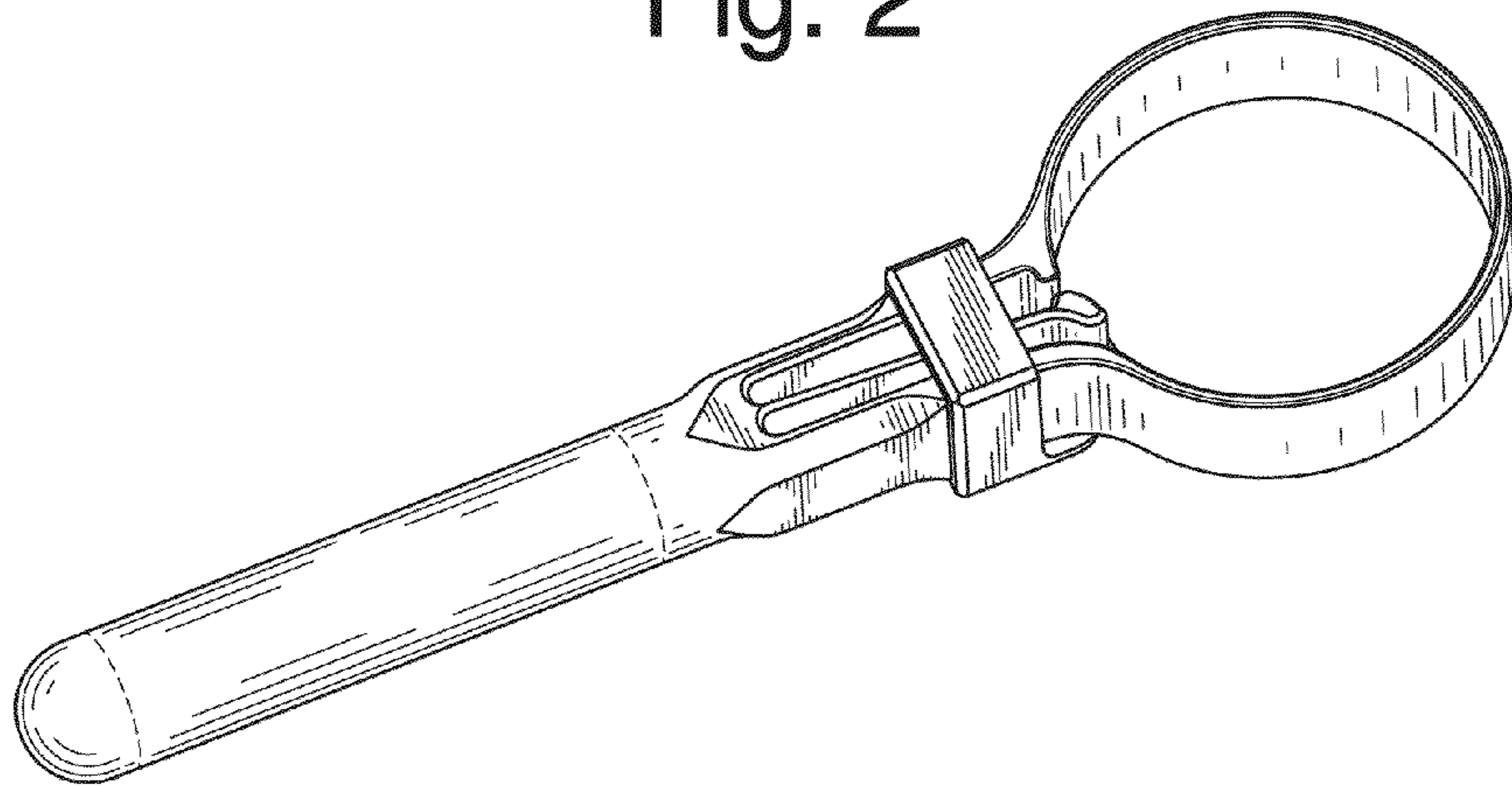


Fig. 3

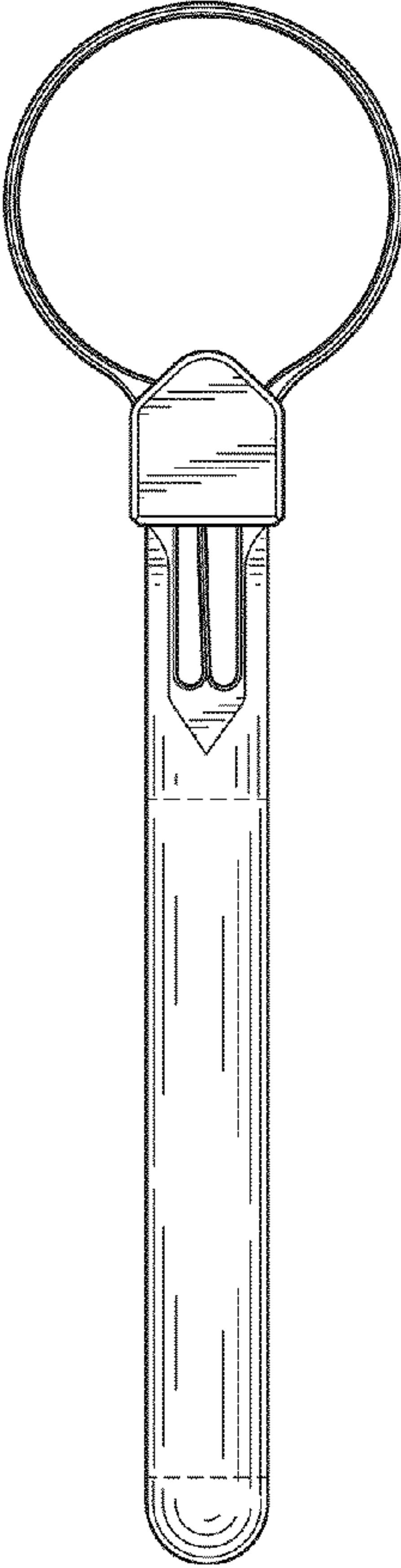


Fig. 4

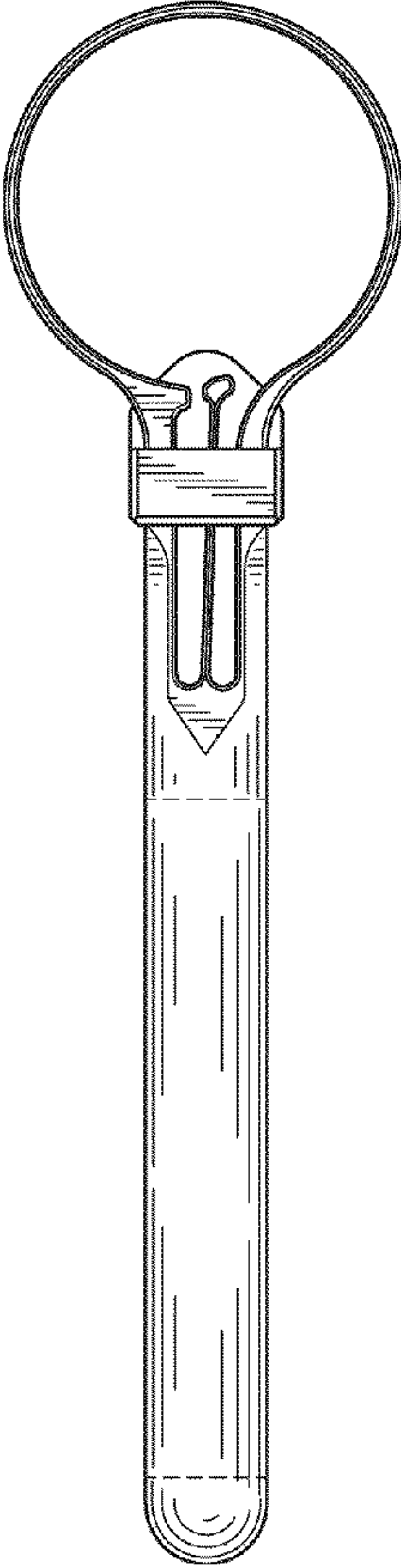


Fig. 5

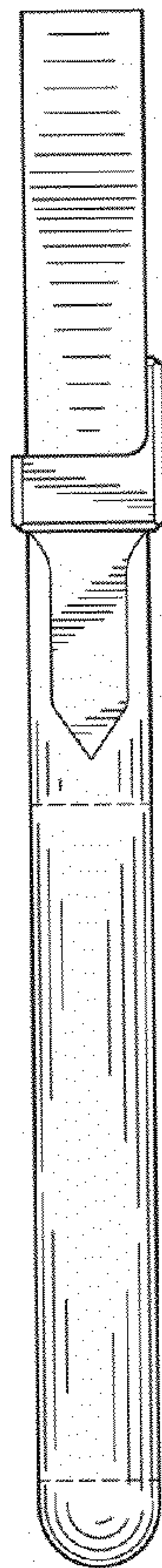


Fig. 6

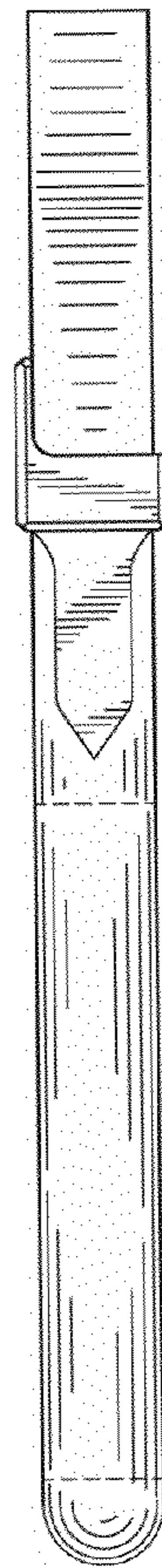


Fig. 7

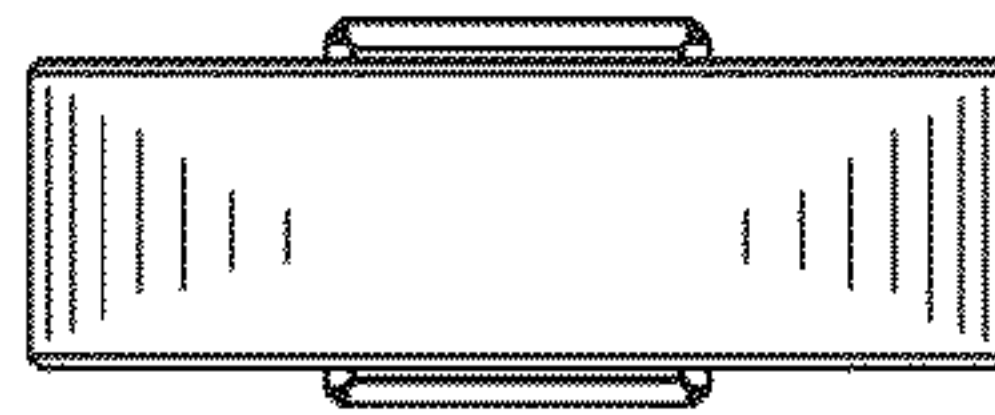


Fig. 8

