



US00D755594S

(12) **United States Design Patent**
Ou

(10) **Patent No.:** **US D755,594 S**

(45) **Date of Patent:** **** May 10, 2016**

(54) **WRENCH HANDLE**

D645,717 S * 9/2011 Ou D8/83
D674,264 S * 1/2013 Robinson D8/83
D690,516 S * 10/2013 Erskine-Smith D4/104

(71) Applicant: **Yu-Hua Ou**, Taichung (TW)

* cited by examiner

(72) Inventor: **Yu-Hua Ou**, Taichung (TW)

Primary Examiner — Randall Gholson

(**) Term: **14 Years**

(74) *Attorney, Agent, or Firm* — Muncy, Geissler, Olds & Lowe, P.C.

(21) Appl. No.: **29/515,312**

(57) **CLAIM**

(22) Filed: **Jan. 21, 2015**

I claim the ornamental design for a wrench handle, as shown and described.

(51) **LOC (10) Cl.** **08-05**

(52) **U.S. Cl.**
USPC **D8/22**

DESCRIPTION

(58) **Field of Classification Search**
USPC D8/21, 22; 81/119, 179, 186, 165, 490,
81/170, 166, 167, 145, 146, 147, 129, 155,
81/133; 16/110.1
CPC B25B 13/00; B25B 13/10; B25B 13/468
See application file for complete search history.

FIG. 1 is a right, front, top perspective view of a wrench handle showing my new design;
FIG. 2 is a front elevational view thereof;
FIG. 3 is a rear elevational view thereof;
FIG. 4 is a left side view thereof;
FIG. 5 is a right side view thereof;
FIG. 6 is a top plan view thereof;
FIG. 7 is a bottom plan view thereof;
FIG. 8 is a left, rear, top perspective view thereof; and,
FIG. 9 is a left, rear, bottom perspective view of the wrench handle.

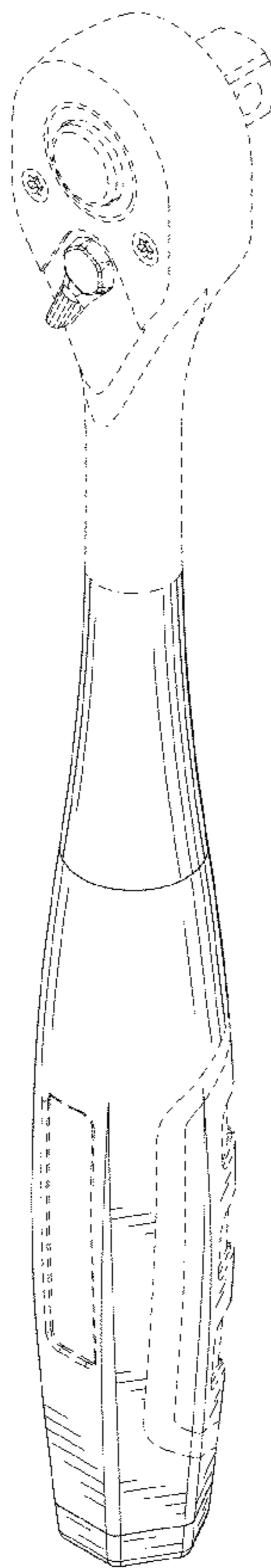
(56) **References Cited**

U.S. PATENT DOCUMENTS

7,587,961 B1 * 9/2009 Chiang B25B 13/468
81/60
D633,357 S * 3/2011 Garcia D8/83
D637,468 S * 5/2011 Jiang D8/83
D637,469 S * 5/2011 Su D8/107

The features shown in broken lines depict environmental structure only and form no part of the claimed design.

1 Claim, 6 Drawing Sheets



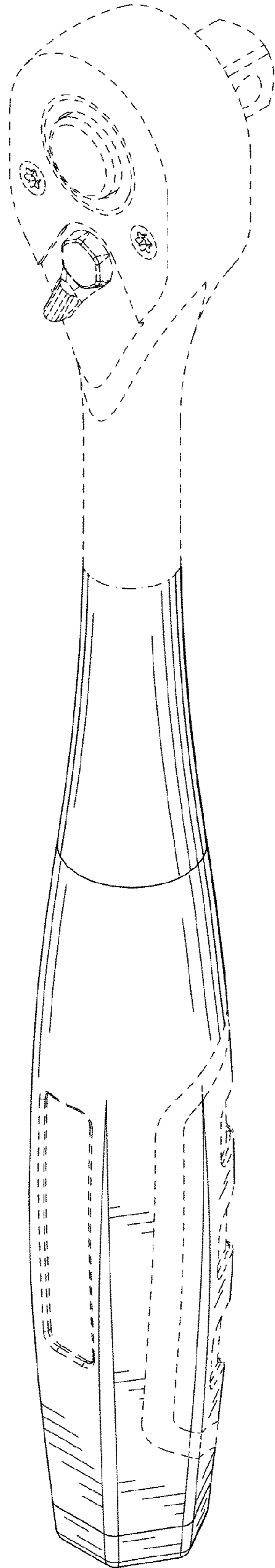


FIG. 1

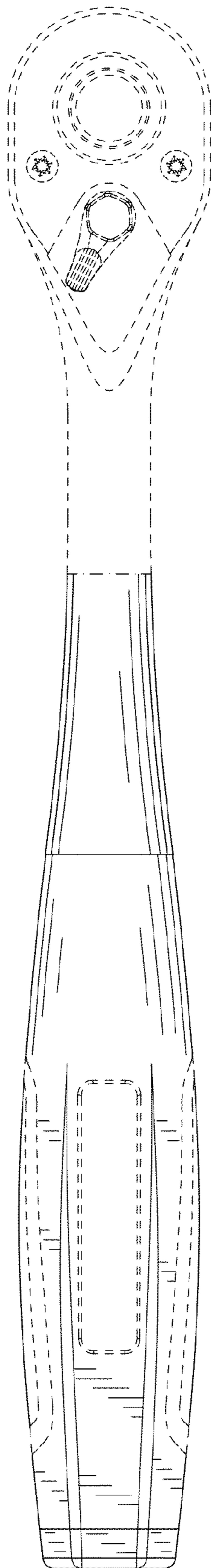


FIG. 2

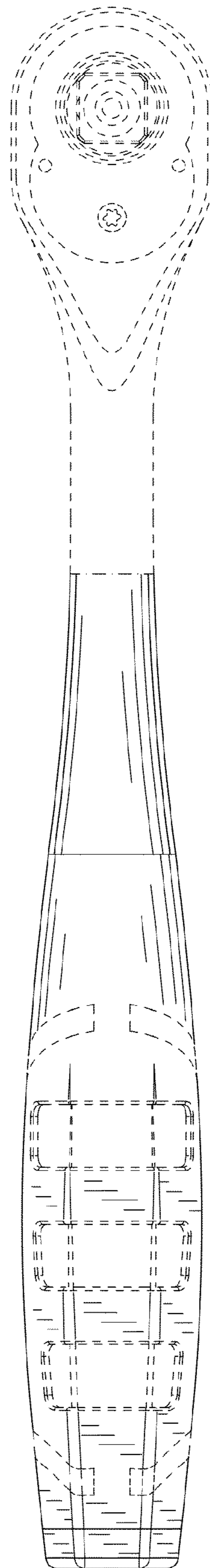


FIG. 3

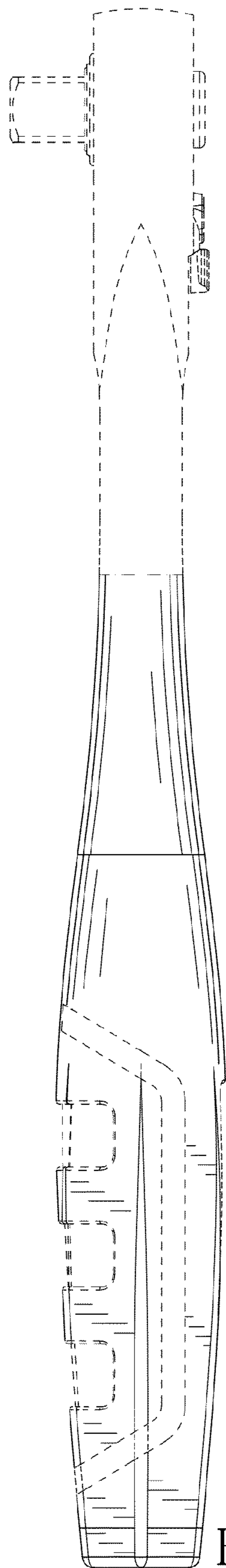


FIG. 4

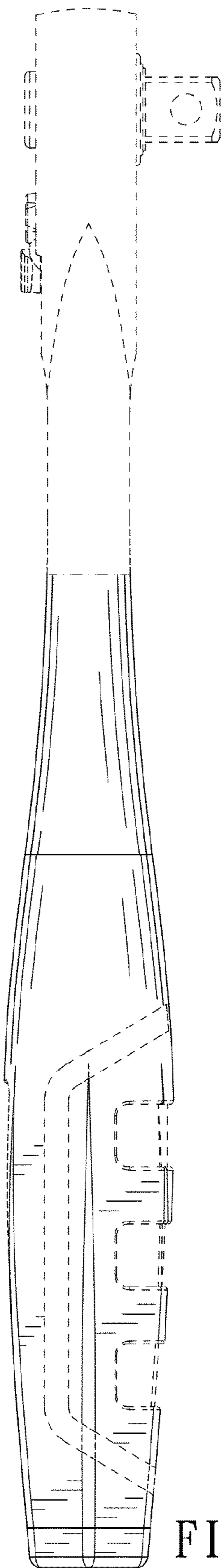


FIG. 5

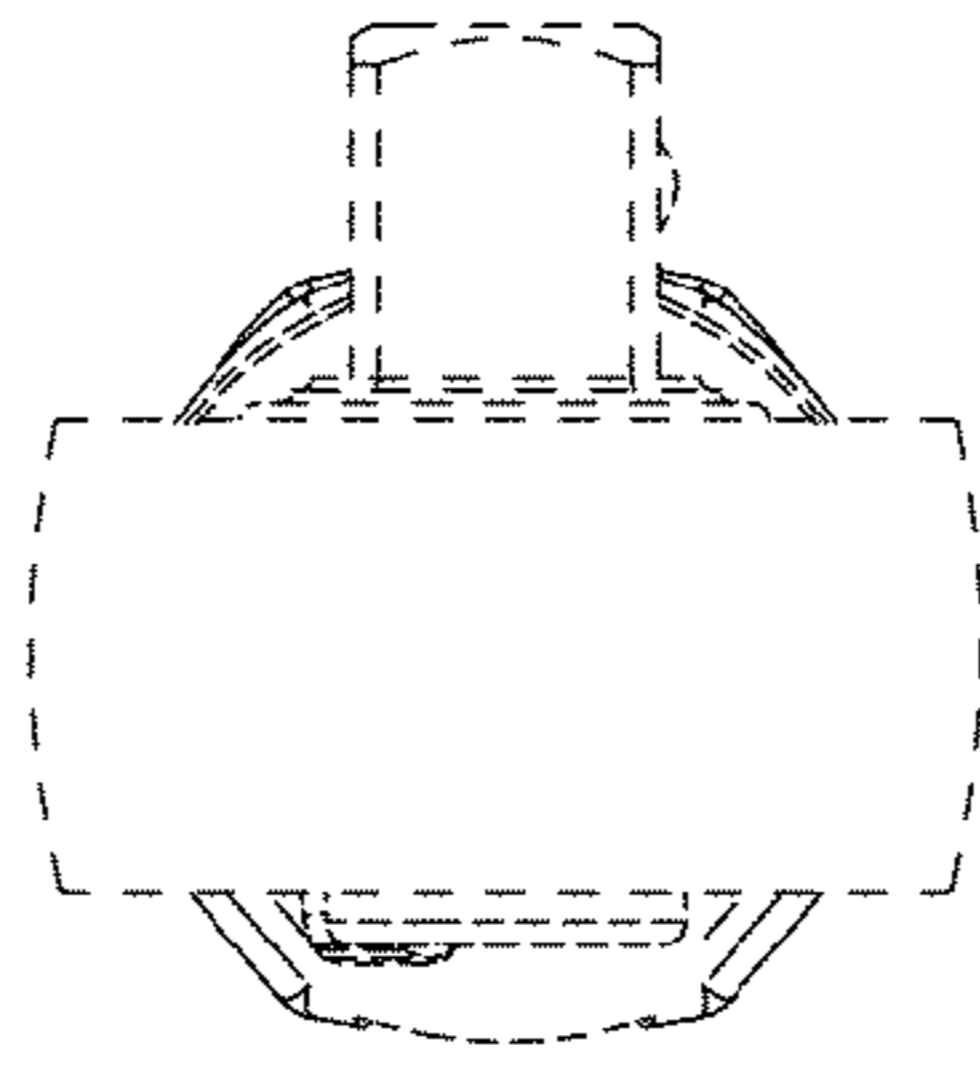


FIG. 6

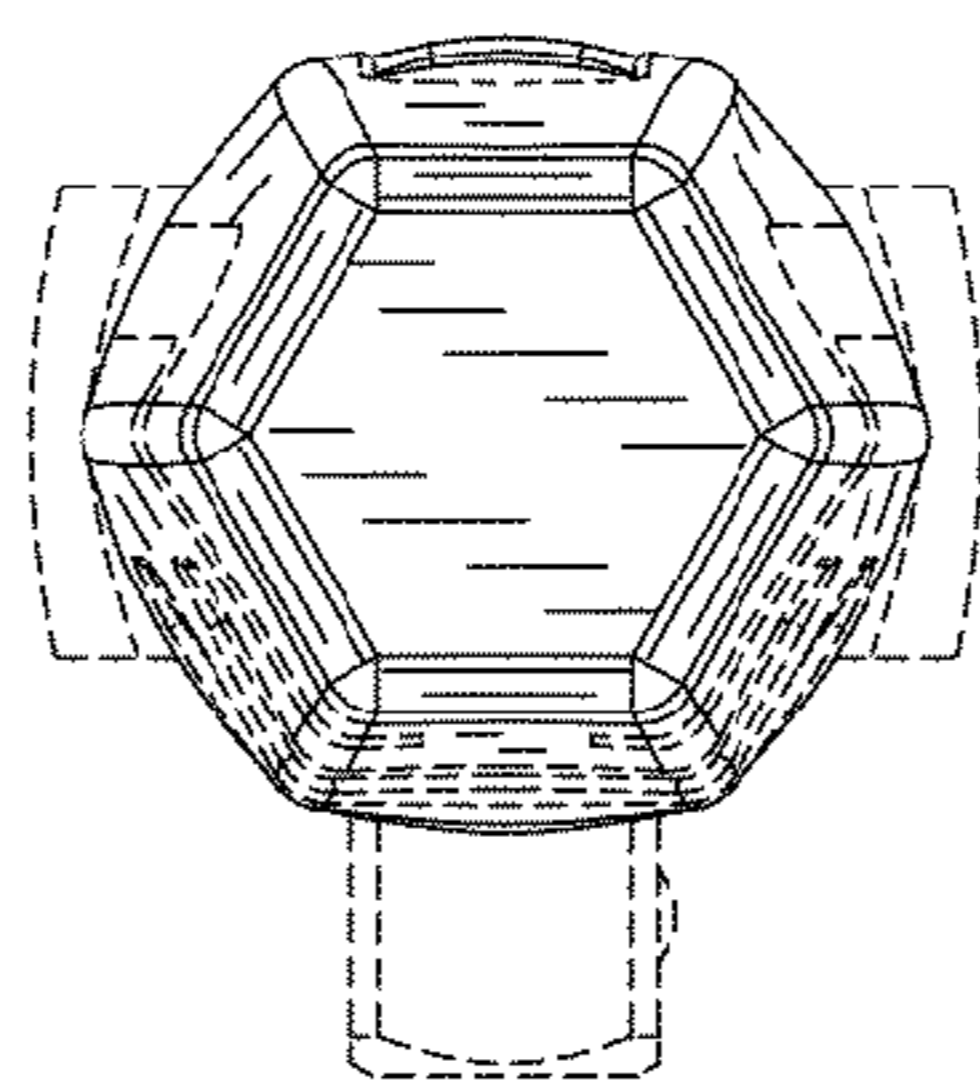


FIG. 7

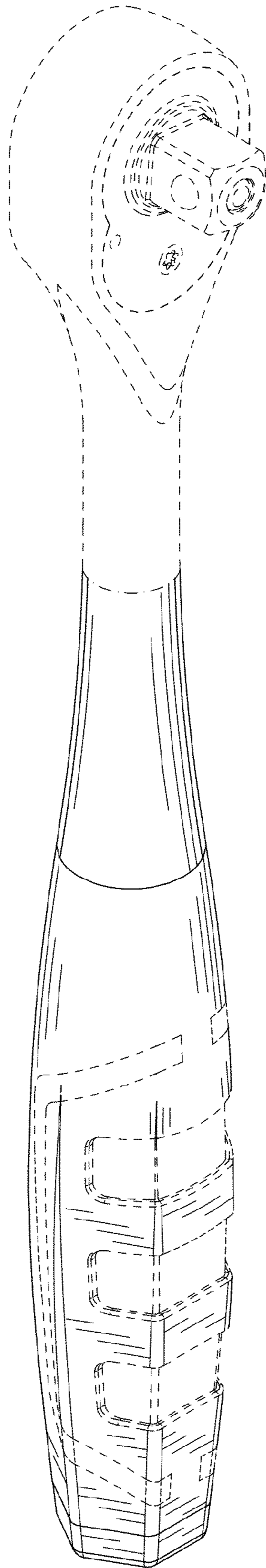


FIG. 8

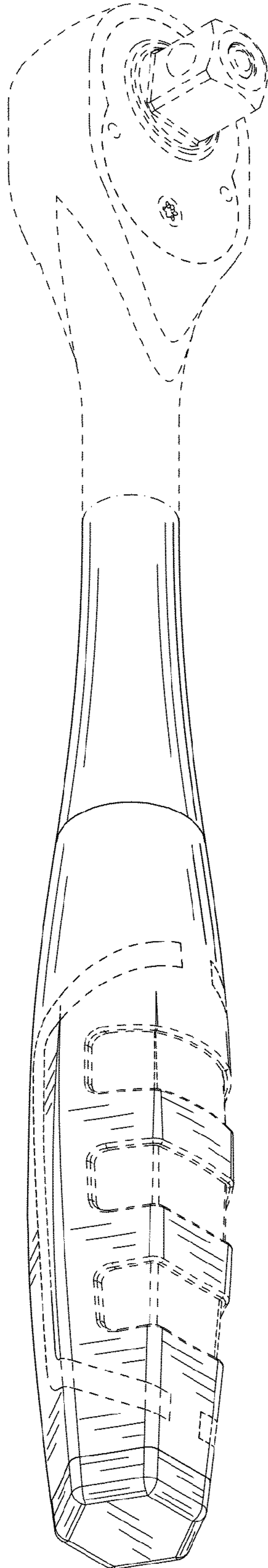


FIG. 9