



US00D755593S

(12) **United States Design Patent**
Henderson

(10) **Patent No.:** **US D755,593 S**

(45) **Date of Patent:** **** May 10, 2016**

(54) **WRENCH**

(71) Applicant: **Lee Valley Tools Ltd.**, Ottawa (CA)

(72) Inventor: **Jeffery J. Henderson**, Orleans (CA)

(73) Assignee: **Lee Valley Tools Ltd.**, Ottawa, Ontario (CA)

(**) Term: **15 Years**

(21) Appl. No.: **29/530,329**

(22) Filed: **Jun. 16, 2015**

(51) **LOC (10) Cl.** **08-05**

(52) **U.S. Cl.**
USPC **D8/21**

(58) **Field of Classification Search**
USPC D8/17, 21-29; 81/60, 177.1, 177.85,
81/121.1, 124.3, 165-170, 110.1, 176.2,
81/124.6, 176.1, 176.15, 177.2; 16/110.1;
D15/144.1; 219/75, 227, 229, 121.16,
219/121.18
CPC B25B 13/00
See application file for complete search history.

(56) **References Cited**

U.S. PATENT DOCUMENTS

1,475,353 A * 11/1923 Shapiro B29C 73/08
112/80.03
1,479,772 A 1/1924 Cook

1,624,508 A 4/1927 Reilly
2,334,069 A 11/1943 Collins et al.
D302,232 S * 7/1989 Hoffman D8/18
D329,788 S * 9/1992 Andrew D8/17
D393,578 S * 4/1998 Keddie 81/124.4
D414,995 S * 10/1999 Hsieh D8/17
D441,263 S * 5/2001 Hasenberg D8/28
D512,286 S * 12/2005 Wolf D8/21
D628,866 S * 12/2010 Serret D8/17
D675,076 S * 1/2013 Oachs D8/17

OTHER PUBLICATIONS

<http://www.mec.ca/product/5010-478/filzer-cone-wrench/?q=cone%2Bwrench>

* cited by examiner

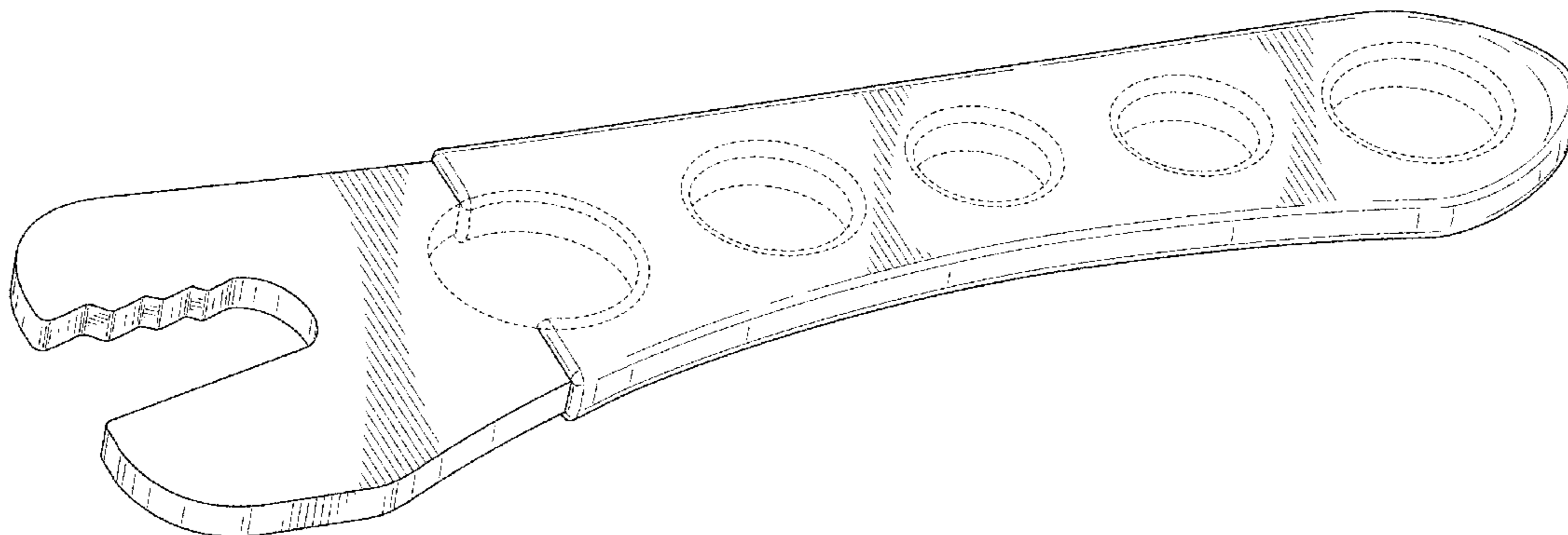
Primary Examiner — Randall Gholson
(74) *Attorney, Agent, or Firm* — Kilpatrick Townsend & Stockton LLP

(57) **CLAIM**
The ornamental design for a wrench, as shown and described.

DESCRIPTION

FIG. 1 is an isometric view of the wrench;
FIG. 2 is a front view of the wrench of FIG. 1;
FIG. 3 is a rear view of the wrench of FIG. 1;
FIG. 4 is a top view of the wrench of FIG. 1;
FIG. 5 is a bottom view of the wrench of FIG. 1;
FIG. 6 is a left side view of the wrench of FIG. 1; and,
FIG. 7 is a right side view of the wrench of FIG. 1.
The broken lines shown in the drawings show unclaimed subject matter only and form no part of the claimed design.

1 Claim, 5 Drawing Sheets



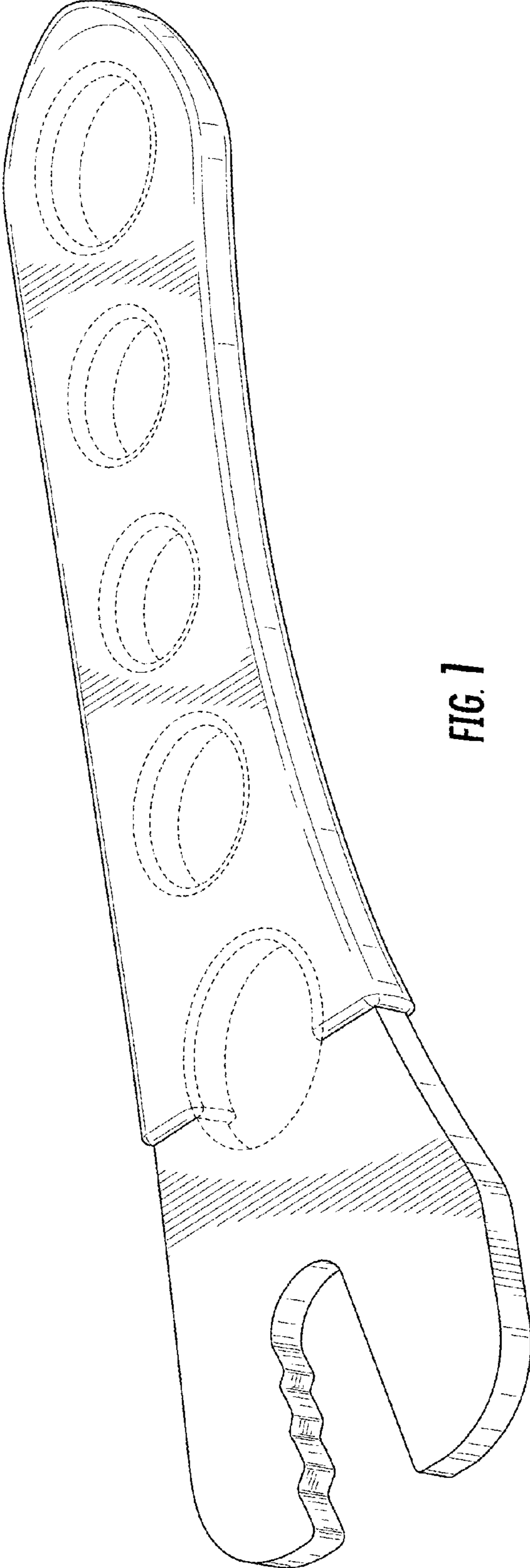
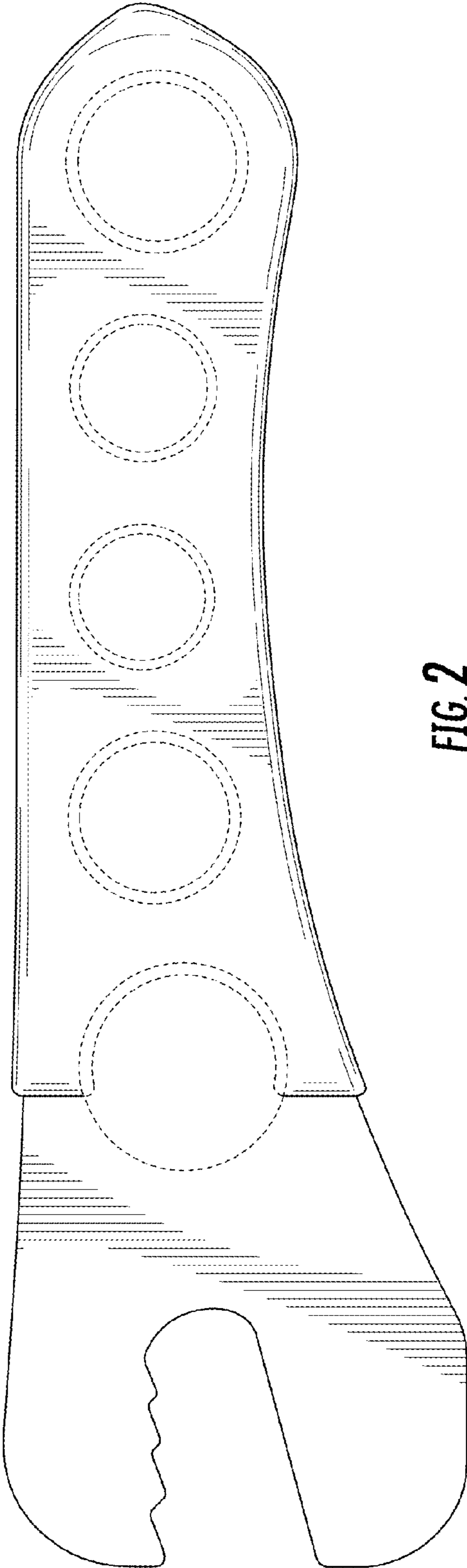


FIG. 1



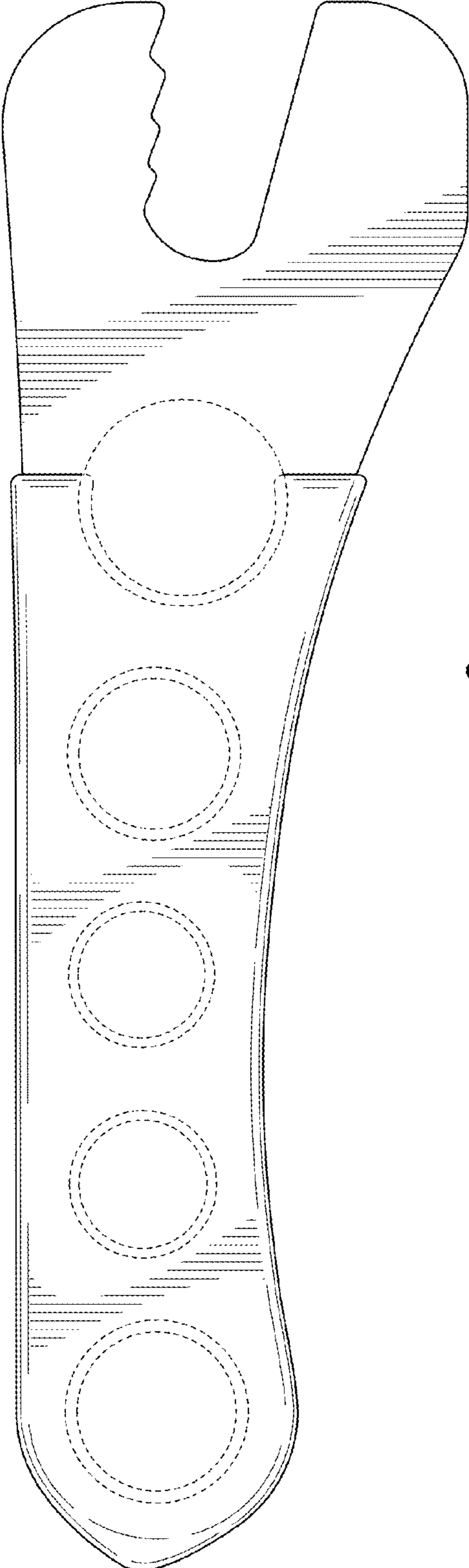


FIG. 3

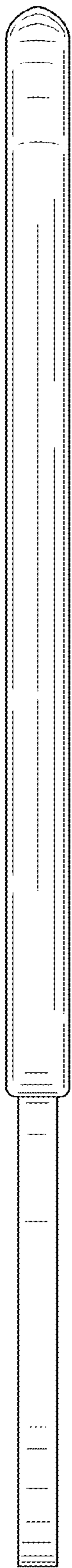


FIG. 4

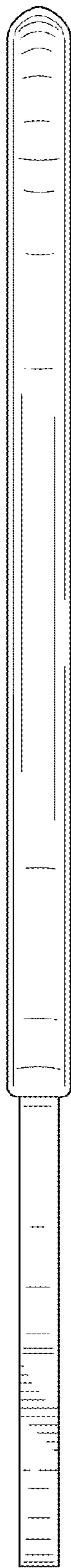


FIG. 5

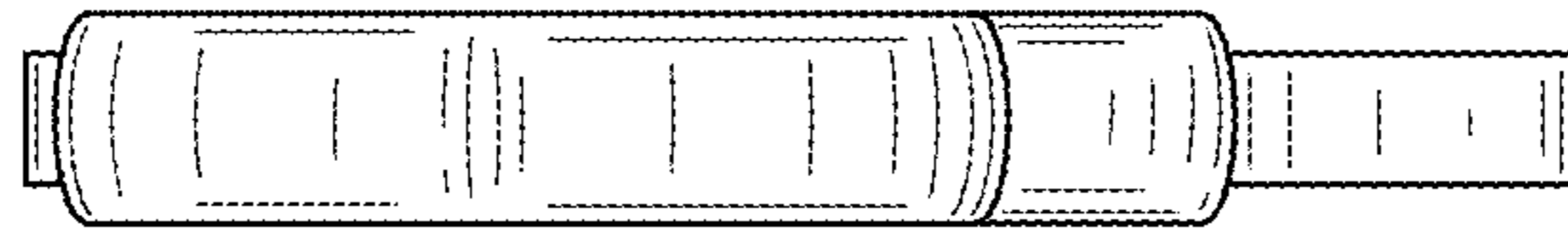


FIG. 7



FIG. 6