



US00D755585S

(12) **United States Design Patent**
Berge

(10) **Patent No.:** **US D755,585 S**
(45) **Date of Patent:** **** May 10, 2016**

- (54) **KITCHEN UTENSIL**
- (71) Applicant: **National Presto Industries, Inc.**, Eau Claire, WI (US)
- (72) Inventor: **Michael R. Berge**, Eau Claire, WI (US)
- (73) Assignee: **National Presto Industries, Inc.**, Eau Claire, WI (US)
- (**) Term: **14 Years**
- (21) Appl. No.: **29/497,973**
- (22) Filed: **Jul. 30, 2014**
- (51) **LOC (10) Cl.** **07-02**
- (52) **U.S. Cl.**
USPC **D7/683**
- (58) **Field of Classification Search**
USPC D7/683, 684, 393; D28/65; D8/47, 82, D8/105
CPC ... A47G 21/023; A47G 19/303; A47G 21/00; A47J 43/283; A23P 1/005
See application file for complete search history.

D470,729	S *	2/2003	Kotsonis	D7/683
D497,293	S *	10/2004	Cheng	D7/683
6,808,090	B2	10/2004	Pedersen		
7,092,521	B2	8/2006	Wang		
7,219,767	B1	5/2007	Steinbok		
7,246,781	B2	7/2007	Nam		
7,293,750	B2	11/2007	Richter		
7,481,388	B2	1/2009	Palese		
7,597,301	B2	10/2009	Seil		
7,658,354	B2	2/2010	Wang		
7,810,777	B2	10/2010	Paradise et al.		
7,861,647	B2	1/2011	So et al.		
8,061,746	B1 *	11/2011	Stephens, III	A47G 21/023 294/61
8,267,361	B1	9/2012	Dordick		
8,439,238	B1	5/2013	Harter et al.		
8,602,376	B2	12/2013	Vogel et al.		
D734,746	S	7/2015	Vogel		

(Continued)

Primary Examiner — Terry Wallace

(74) *Attorney, Agent, or Firm* — Patterson Thunte Pedersen, P.A.

(57) **CLAIM**

The ornamental design for a kitchen utensil, as shown and described.

DESCRIPTION

FIG. 1 is a front view of a kitchen utensil showing my new design.

FIG. 2 is a right side view of the kitchen utensil depicted in FIG. 1.

FIG. 3 is a top, perspective view of the kitchen utensil depicted in FIG. 1.

FIG. 4 is a top, perspective view of the kitchen utensil depicted in FIG. 1 shown in its environmental setting; and, FIG. 5 is a top, perspective view of the kitchen utensil depicted in FIG. 1 shown in its environmental setting.

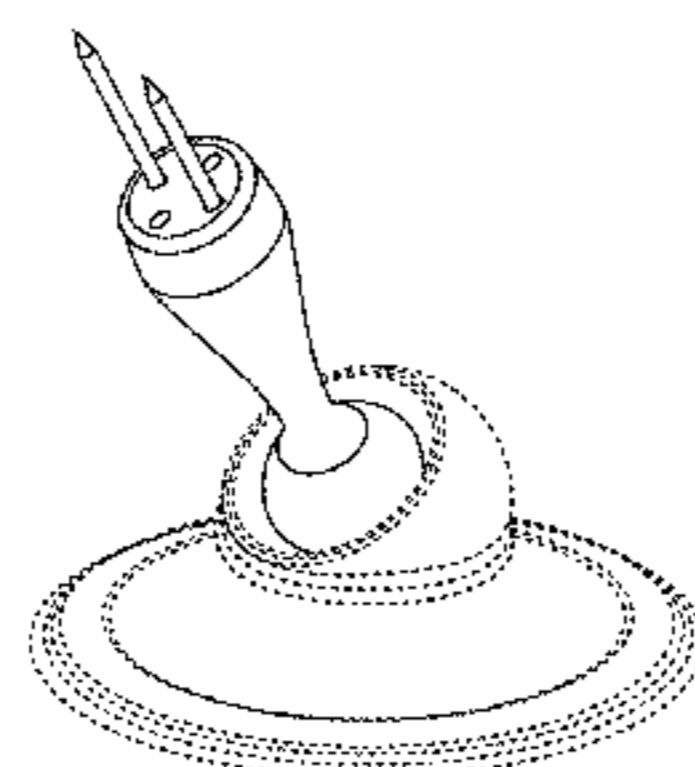
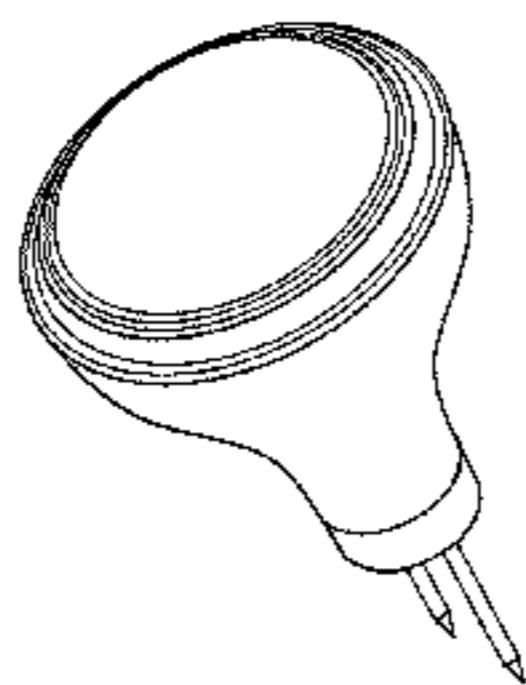
Items shown in broken lines are for illustrative purposes only and form no part of the claimed invention. Rear and left side views are omitted as they would be mirror images of the front and right side views respectively.

1 Claim, 5 Drawing Sheets

(56) **References Cited**

U.S. PATENT DOCUMENTS

D26,777	S *	3/1897	Donnelly	294/5
687,183	A	11/1901	Kolander		
2,332,504	A	10/1943	Brenner		
2,950,836	A	8/1960	Murdock		
3,424,419	A	1/1969	Siegel		
4,066,231	A	1/1978	Bahner et al.		
4,093,165	A	6/1978	Sussman		
4,180,229	A	12/1979	Schulien		
5,094,415	A	3/1992	Revette et al.		
5,474,206	A	12/1995	Herring, Sr.		
5,592,244	A	1/1997	Vyhmeister		
5,649,634	A	7/1997	Irizarry		
5,671,659	A *	9/1997	Swindle	A23P 1/005 294/5.5
6,142,432	A	11/2000	Amussen		
6,443,388	B1	9/2002	Hollinger		
6,502,794	B1	1/2003	Ting		



(56)

References Cited

U.S. PATENT DOCUMENTS

2006/0284043 A1 12/2006 Paradise et al.
2008/0092717 A1 4/2008 Dunlop

2008/0289581 A1 11/2008 Cox, Jr. et al.
2011/0241362 A1* 10/2011 Fleming A47G 21/00
2013/0334347 A1 12/2013 Willis
294/61

* cited by examiner

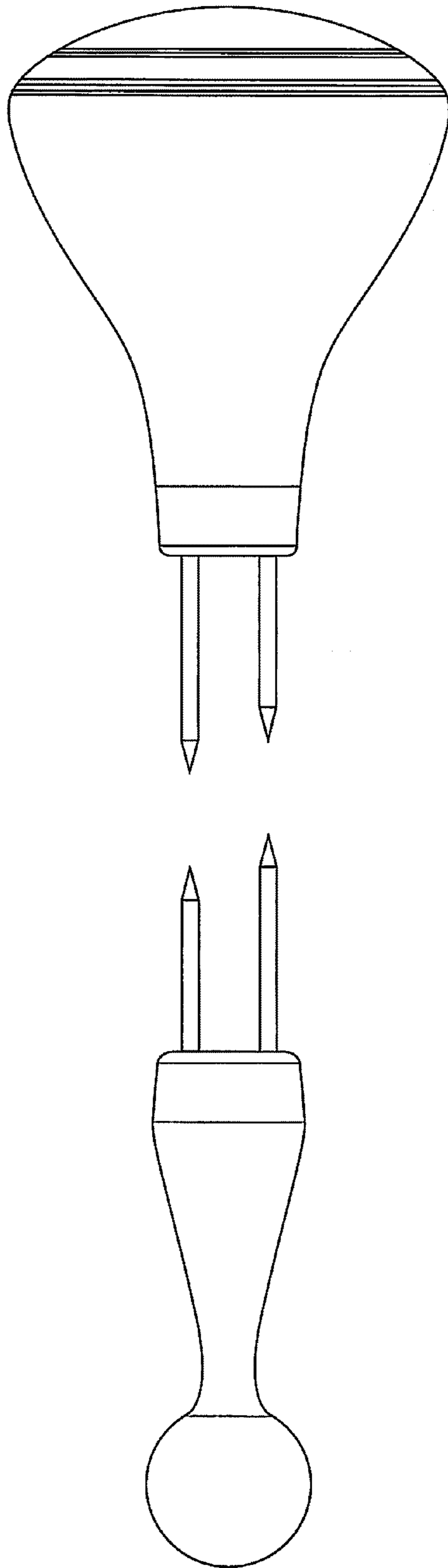


FIG. 1

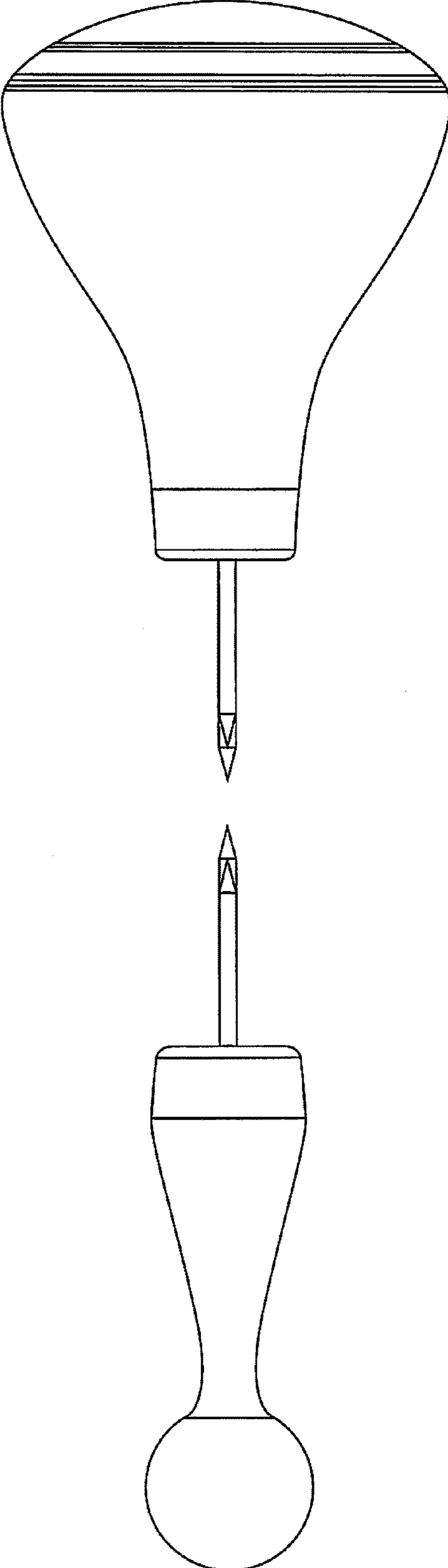


FIG. 2

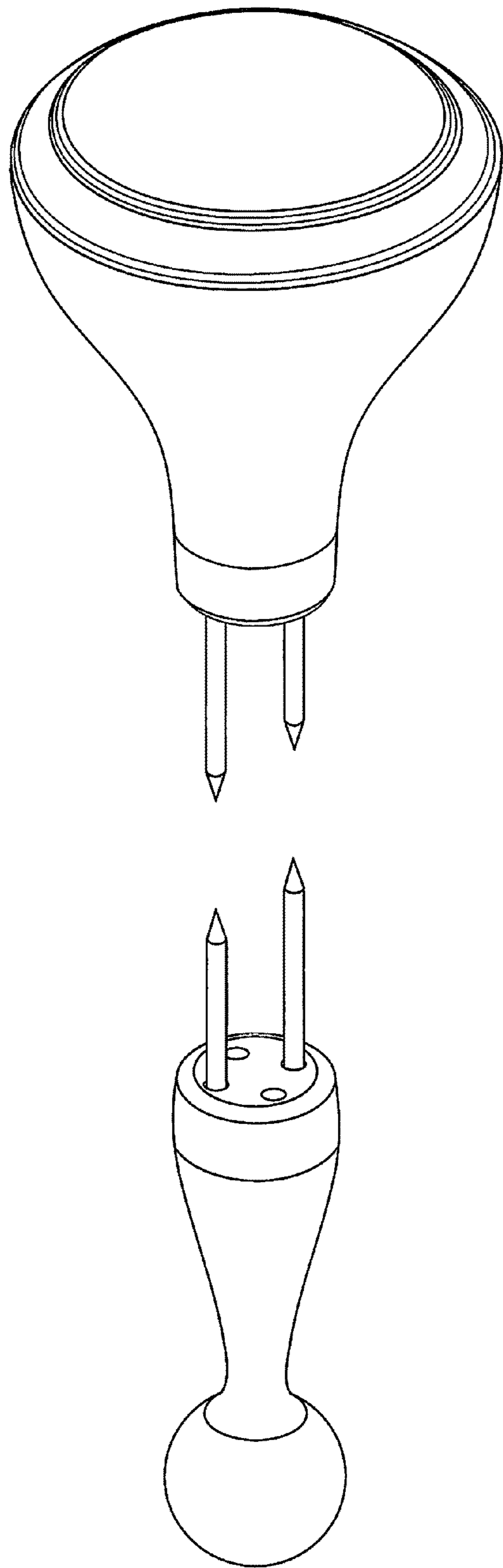


FIG. 3

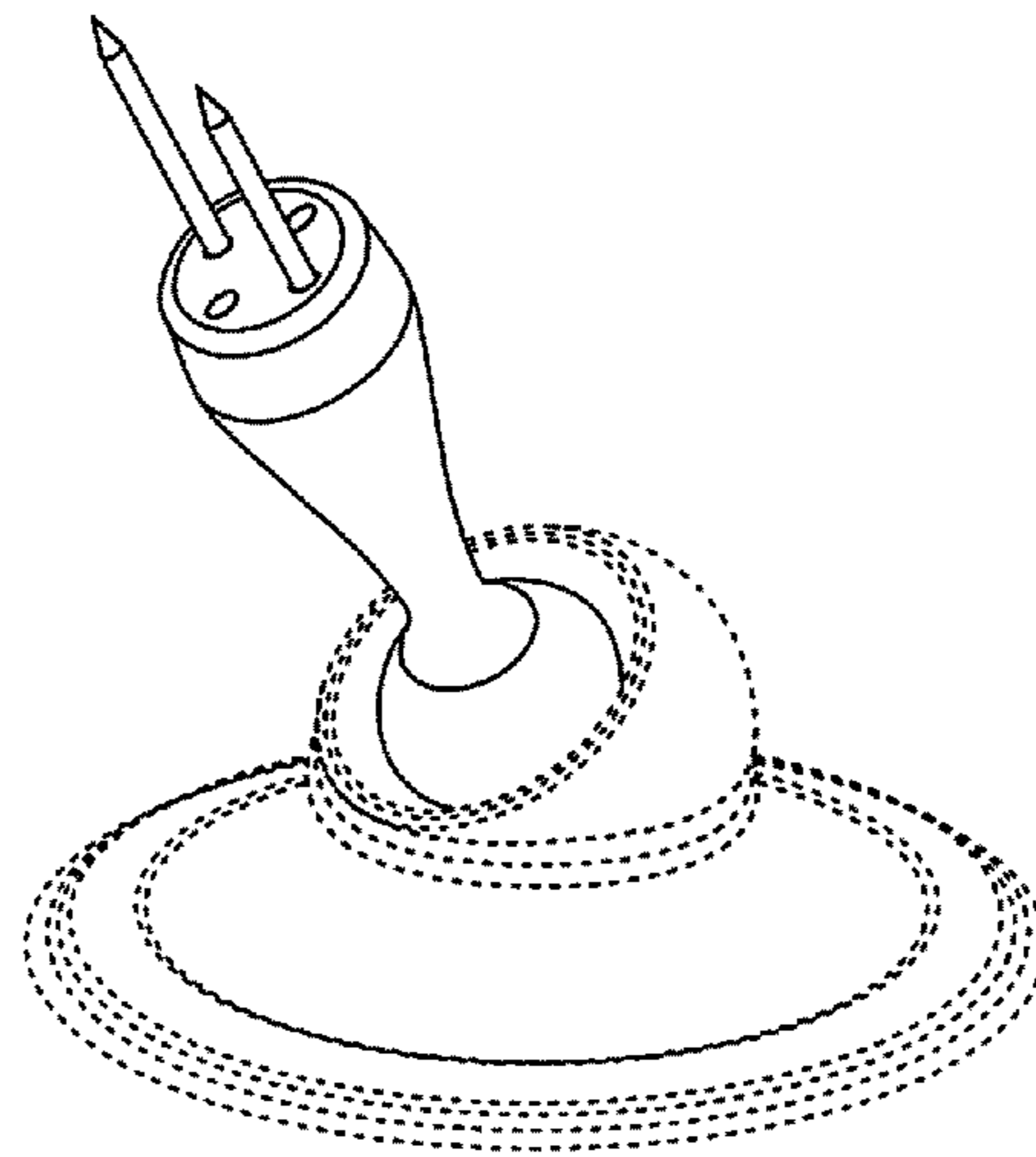
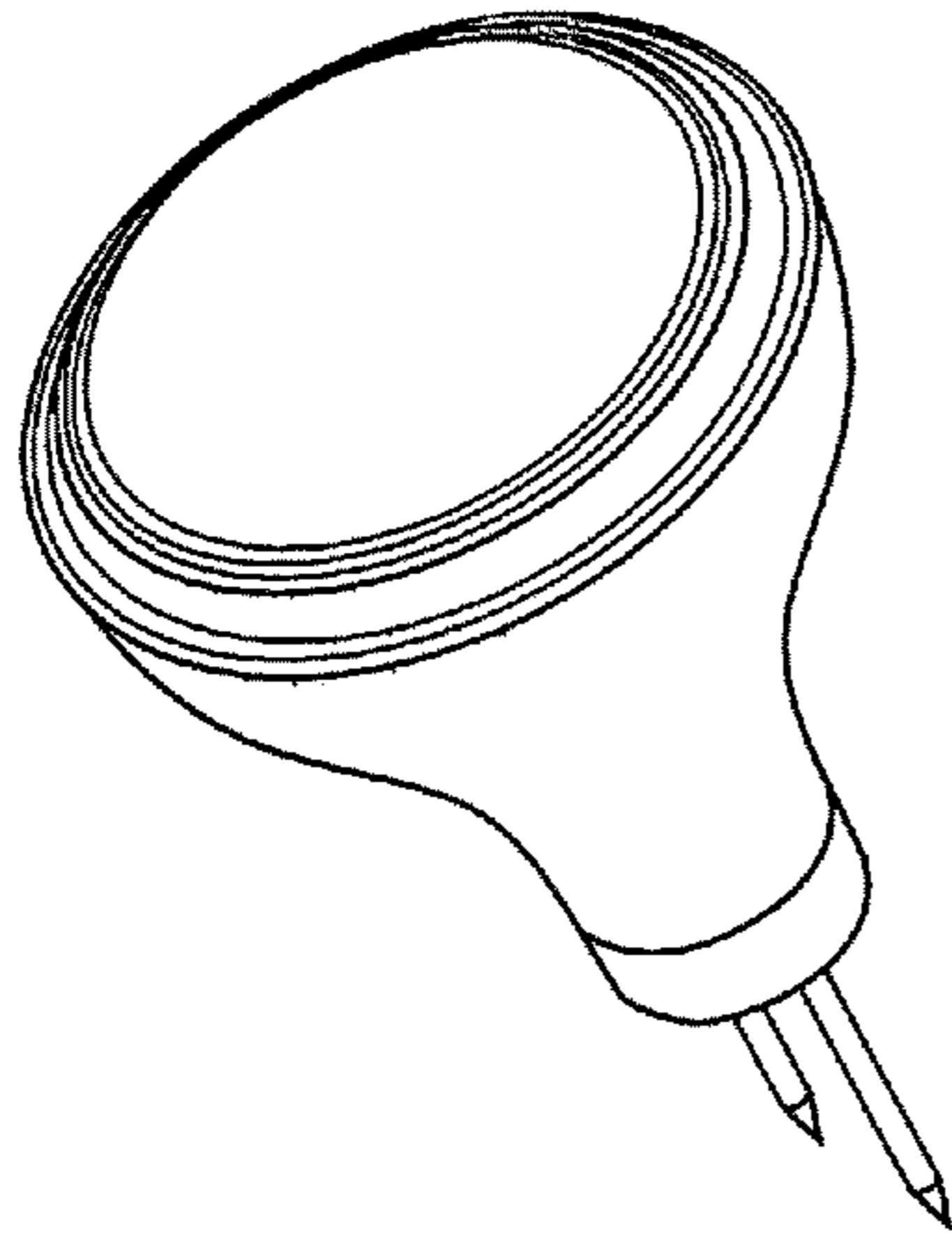


FIG. 4

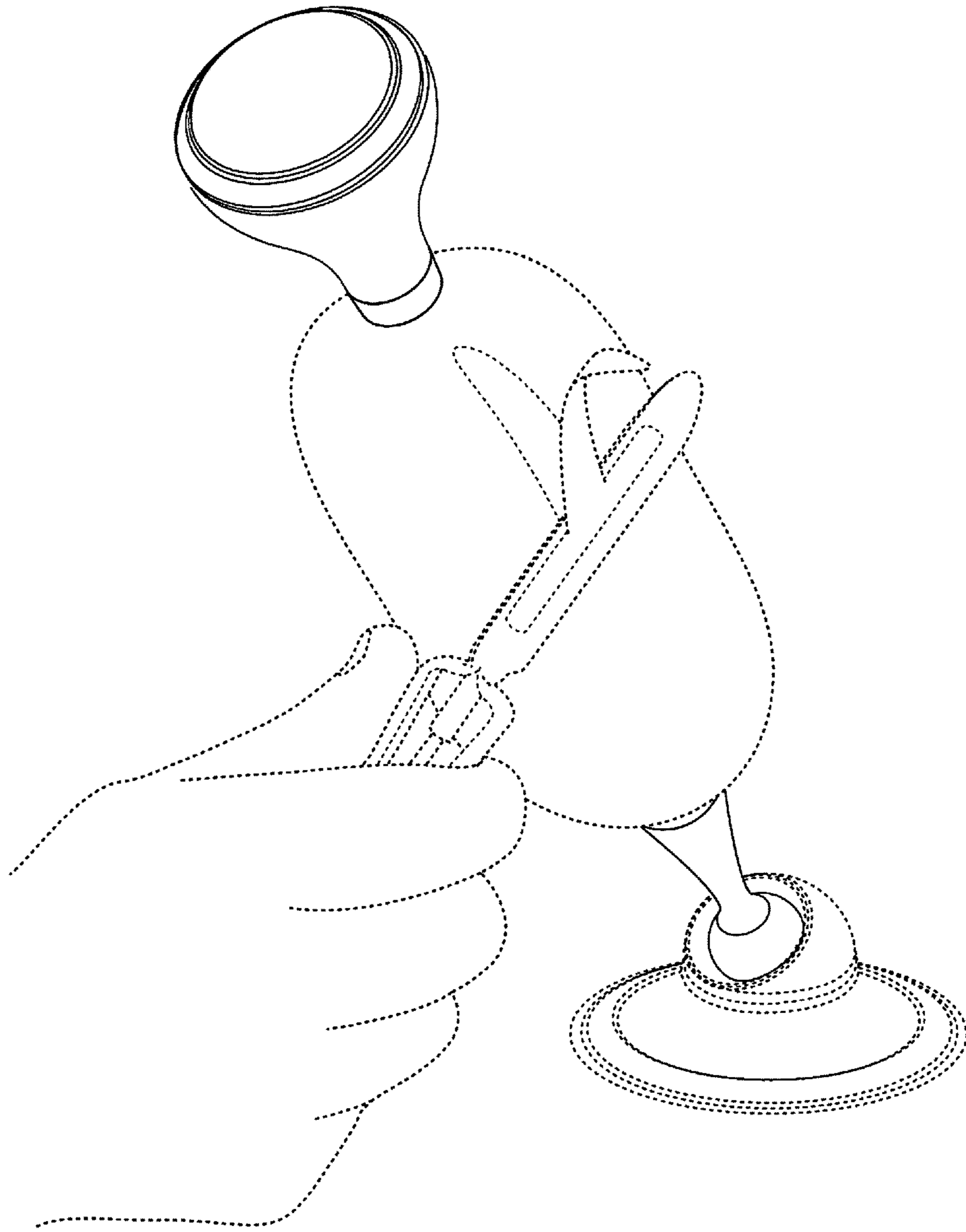


FIG. 5