



US00D755584S

(12) **United States Design Patent**  
**Dukat**

(10) **Patent No.:** **US D755,584 S**

(45) **Date of Patent:** **\*\* May 10, 2016**

- (54) **HERB GRINDING DEVICE**
- (71) Applicant: **Dane Joseph Dukat**, Mesa, AZ (US)
- (72) Inventor: **Dane Joseph Dukat**, Mesa, AZ (US)
- (\*\*) Term: **14 Years**
- (21) Appl. No.: **29/511,178**
- (22) Filed: **Dec. 8, 2014**
- (51) **LOC (10) Cl.** ..... **07-04**
- (52) **U.S. Cl.**  
USPC ..... **D7/679; D7/372**
- (58) **Field of Classification Search**  
USPC ..... D7/679, 590-600, 372, 373, 374, 383,  
D7/384, 401.1  
CPC ..... A47J 42/08; A47J 42/38; A47J 42/04;  
A47J 42/46; A47J 42/18; A47J 42/14; A47J  
42/34; A47J 42/40; B02C 18/16; B02C 18/08  
See application file for complete search history.

8,393,563	B2 *	3/2013	Chaoui	.....	B02C 18/08 241/168
D695,067	S *	12/2013	Wilson	.....	D7/401.1
D714,595	S	10/2014	Ducey		
2009/0256016	A1 *	10/2009	Lauzet	.....	A47H 42/18 241/169.1
2012/0097774	A1 *	4/2012	Hainbach	.....	A47J 42/14 241/101.2
2012/0286081	A1 *	11/2012	Delbridge	.....	A47J 42/14 241/169.1
2013/0015278	A1 *	1/2013	Edwards	.....	A47J 42/40 241/69
2013/0214068	A1 *	8/2013	Camitta	.....	B02C 18/16 241/25
2013/0277473	A1 *	10/2013	Delbridge	.....	A47J 42/38 241/169.1

\* cited by examiner

*Primary Examiner* — Terry Wallace

(74) *Attorney, Agent, or Firm* — Weiss & Moy, P.C.; Jeffrey D. Moy

(57) **CLAIM**

The ornamental design for the herb grinding device, as shown and described.

(56) **References Cited**

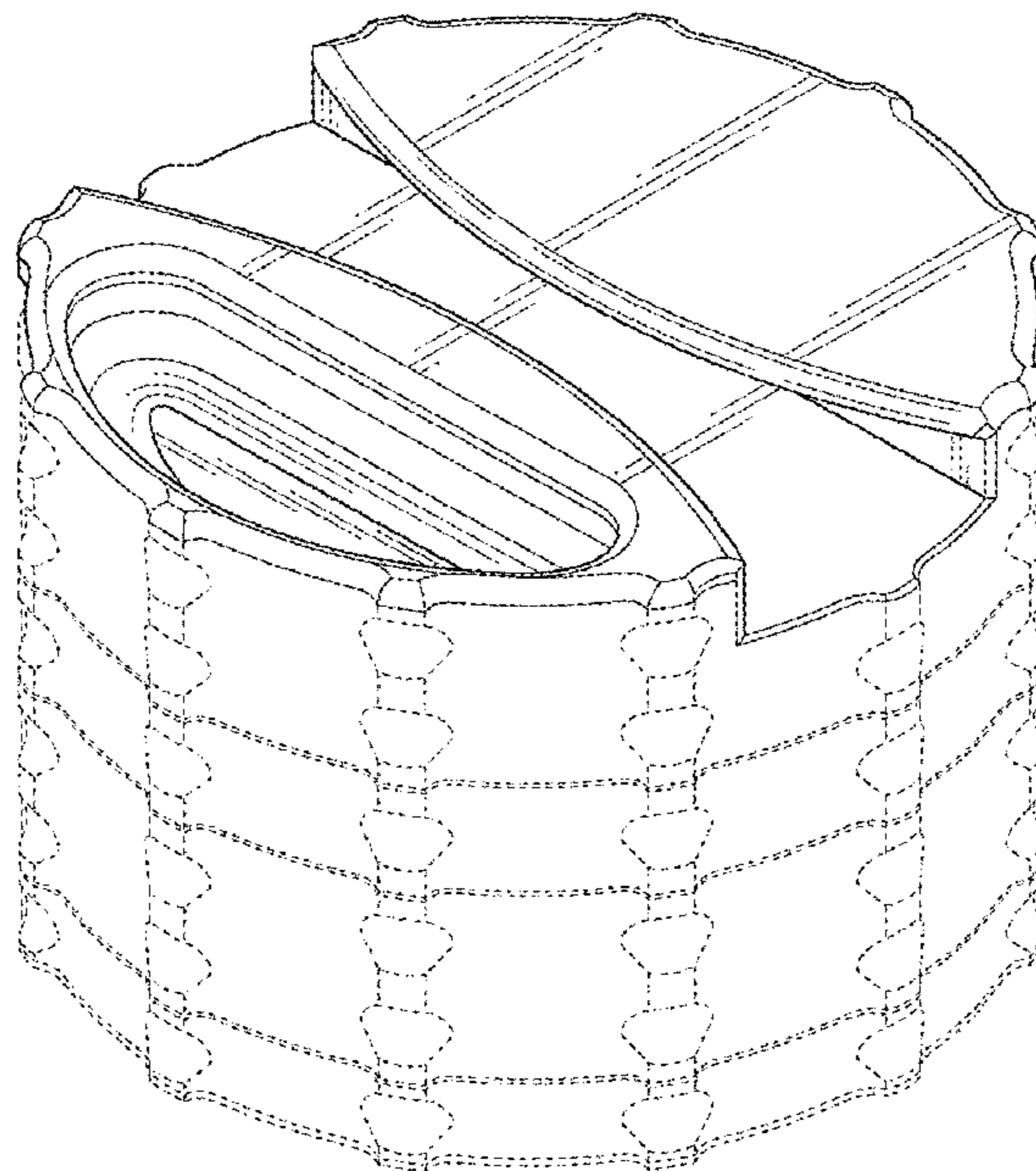
U.S. PATENT DOCUMENTS

795,746	A *	7/1905	Wingfield et al.	.....	A24F 15/18 131/311
D474,378	S *	5/2003	Brandenburg	.....	D7/679
6,945,486	B2 *	9/2005	Teng	.....	A47J 19/06 241/169.1
7,367,519	B2 *	5/2008	de Groote	.....	A47J 19/04 241/168
7,422,170	B2 *	9/2008	Bao	.....	B02C 18/24 241/168
8,220,732	B2 *	7/2012	Griffin	.....	A47J 43/04 241/169.1
D673,006	S *	12/2012	Kent	.....	D7/372

**DESCRIPTION**

FIG. 1 is a perspective view of the herb grinding device; FIG. 2 is a top view thereof; FIG. 3 is a bottom view thereof; FIG. 4 is a right side view thereof, the opposite, left side being identical to the right side; and, FIG. 5 is a front side view thereof, the opposite, rear side being identical to the front side. The broken lines in the drawings illustrate features that form no part of the claimed design.

**1 Claim, 3 Drawing Sheets**



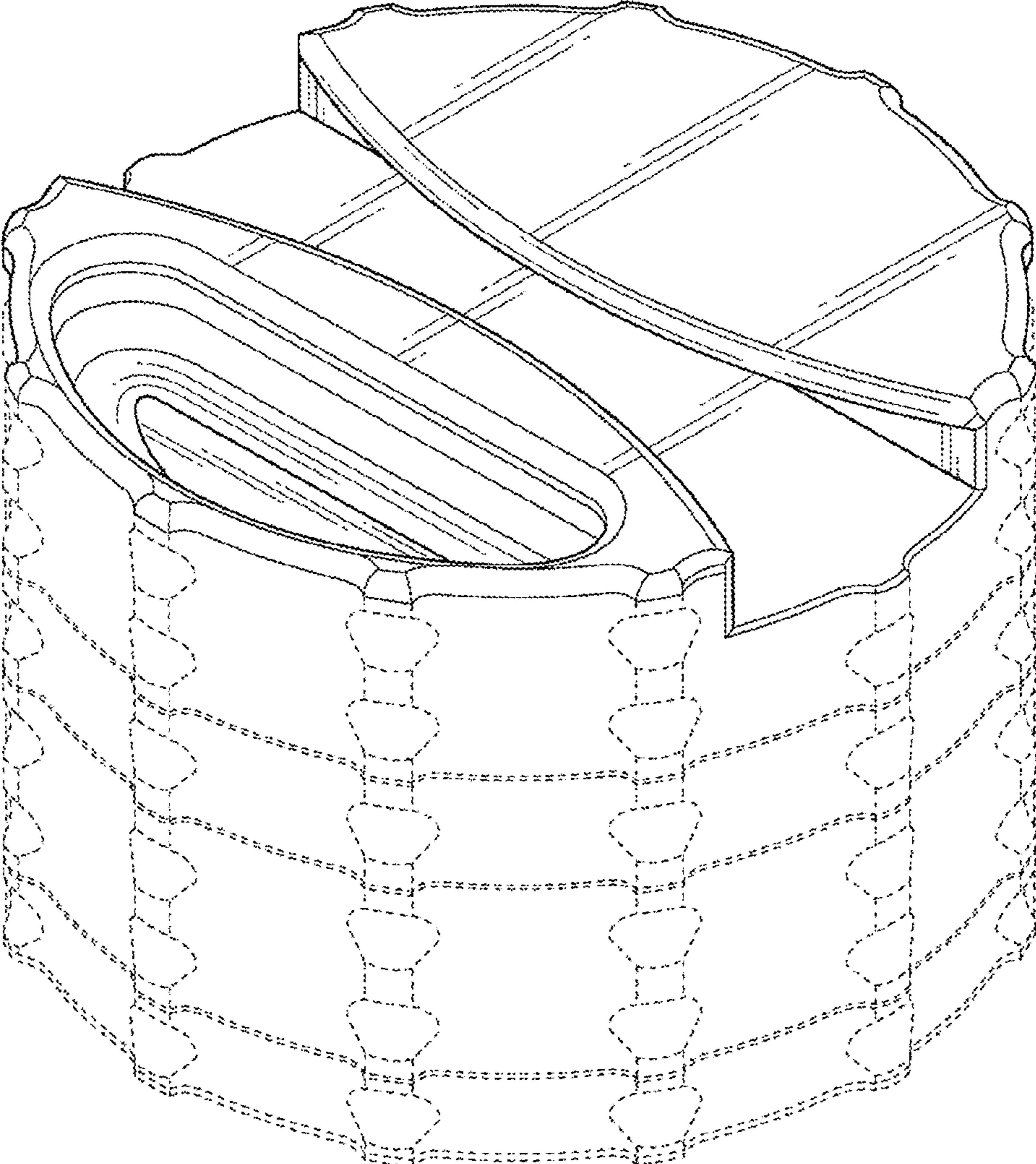


FIG. 1

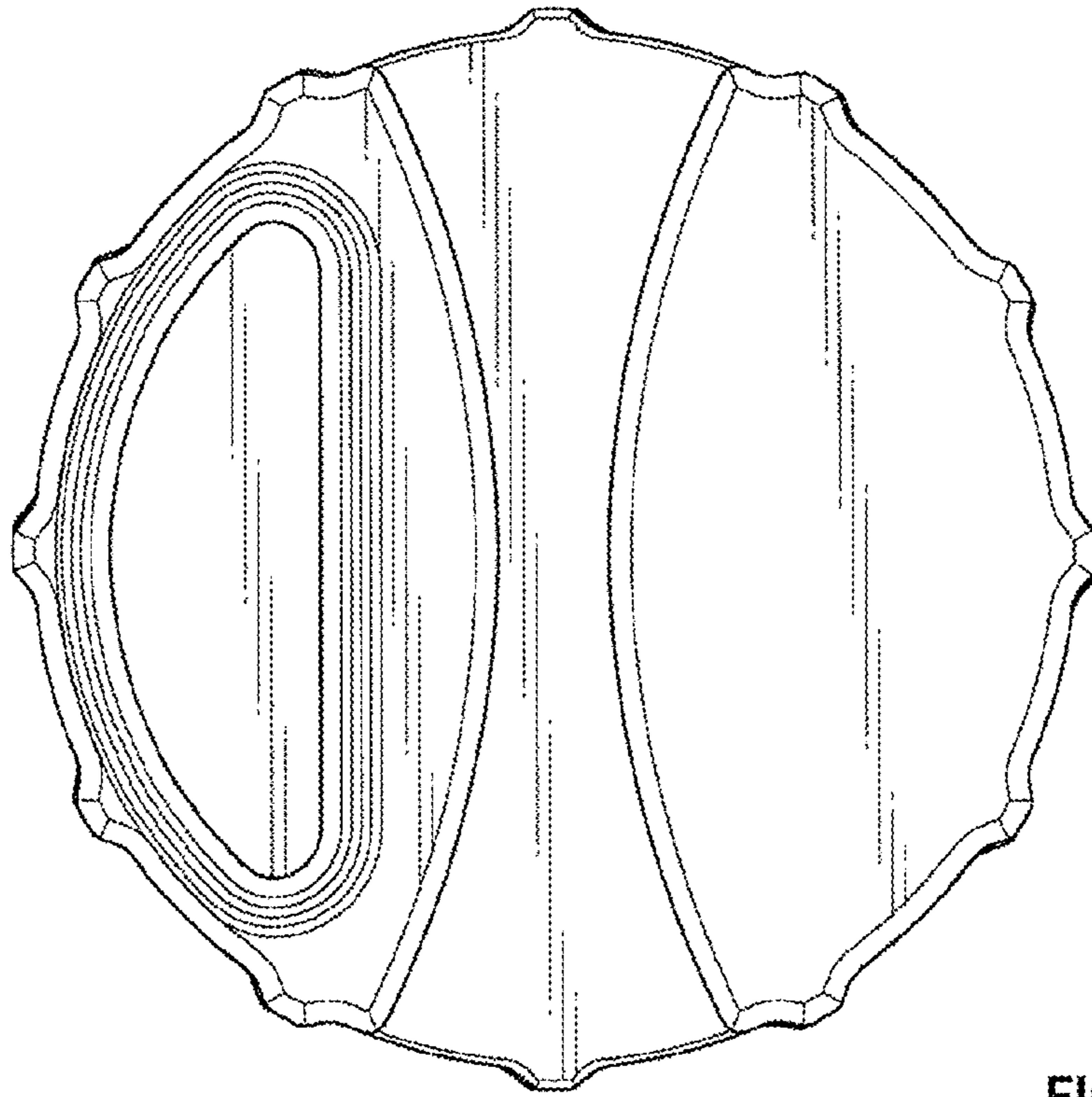


FIG. 2

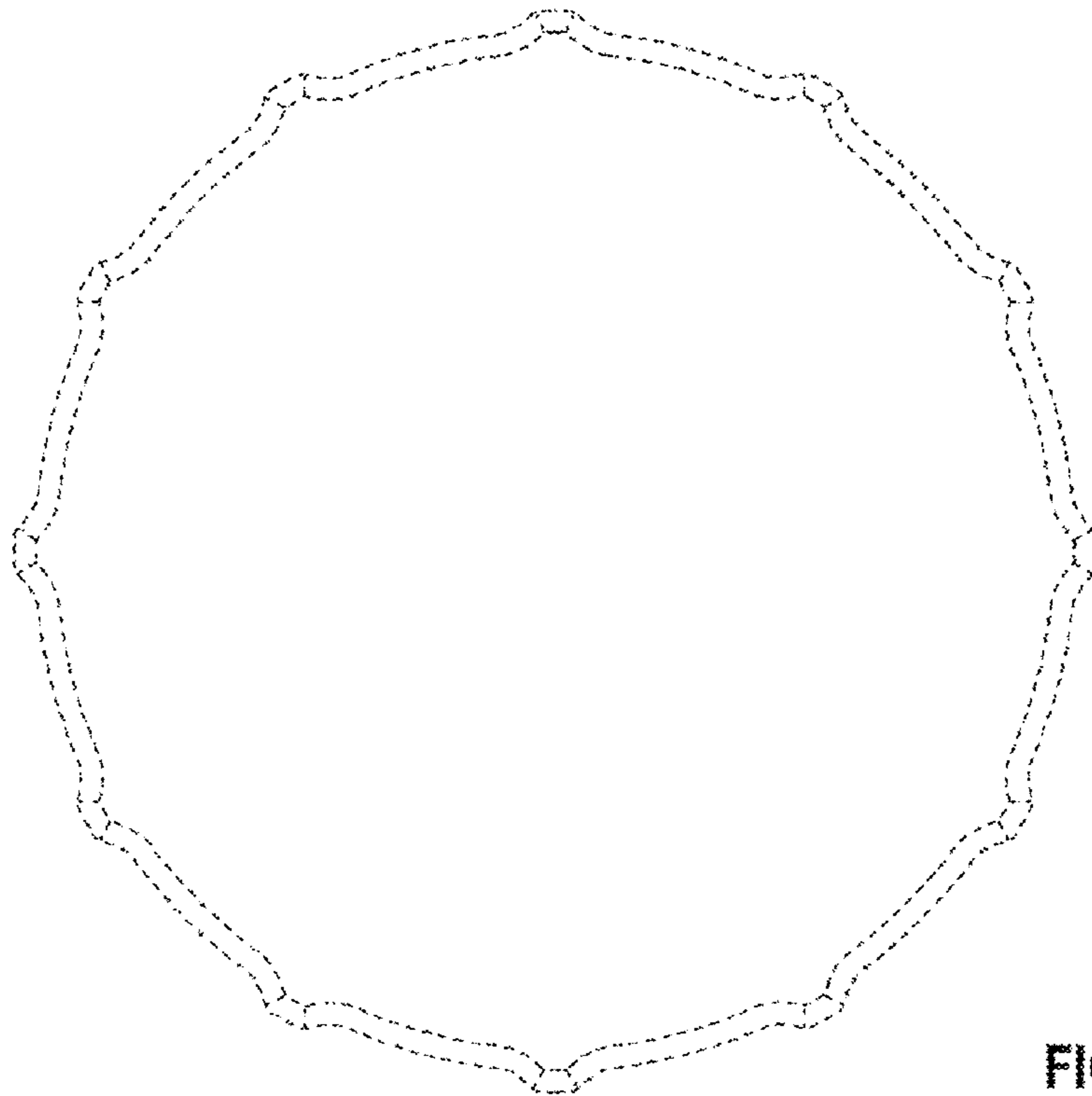


FIG. 3



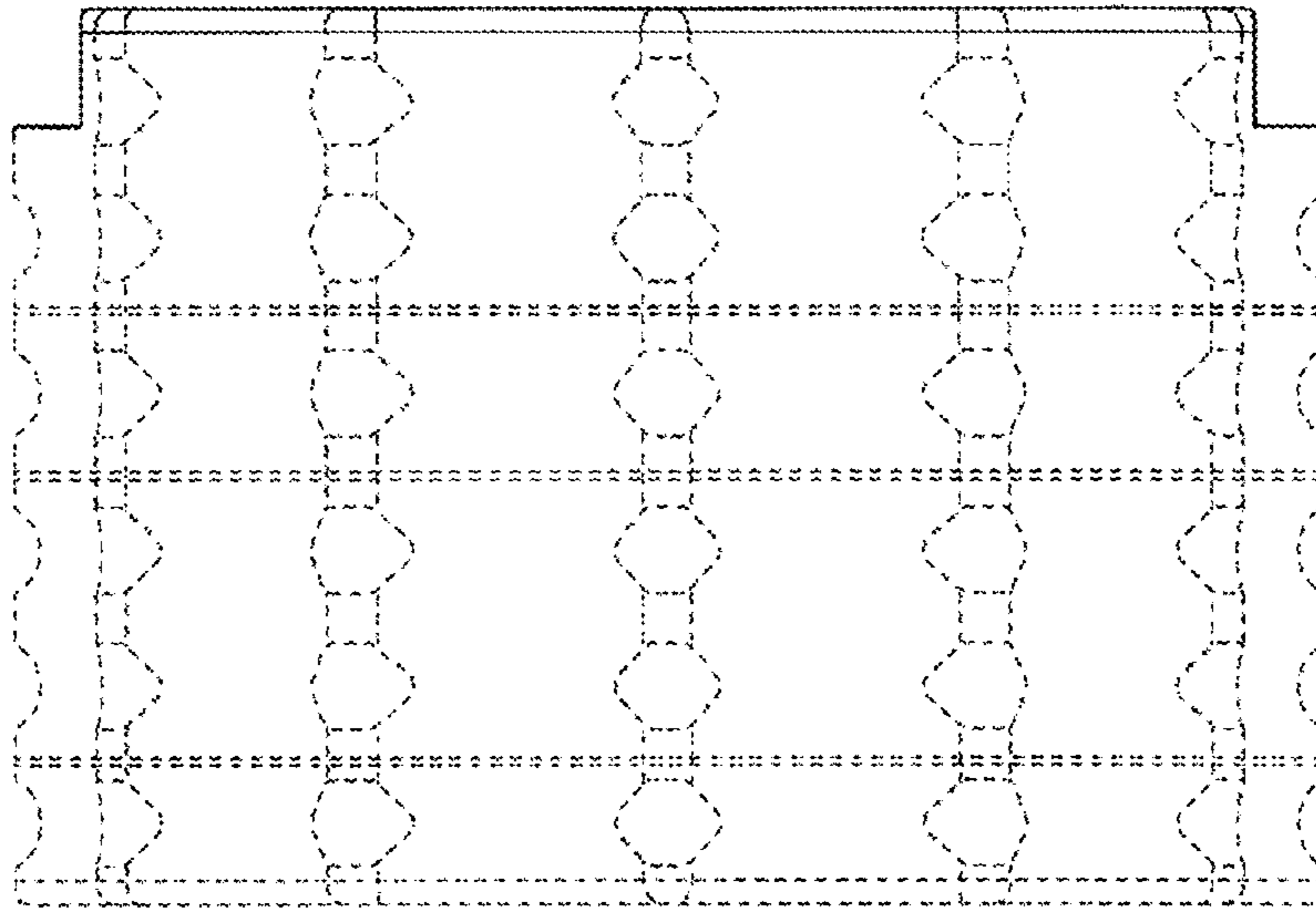


FIG. 4

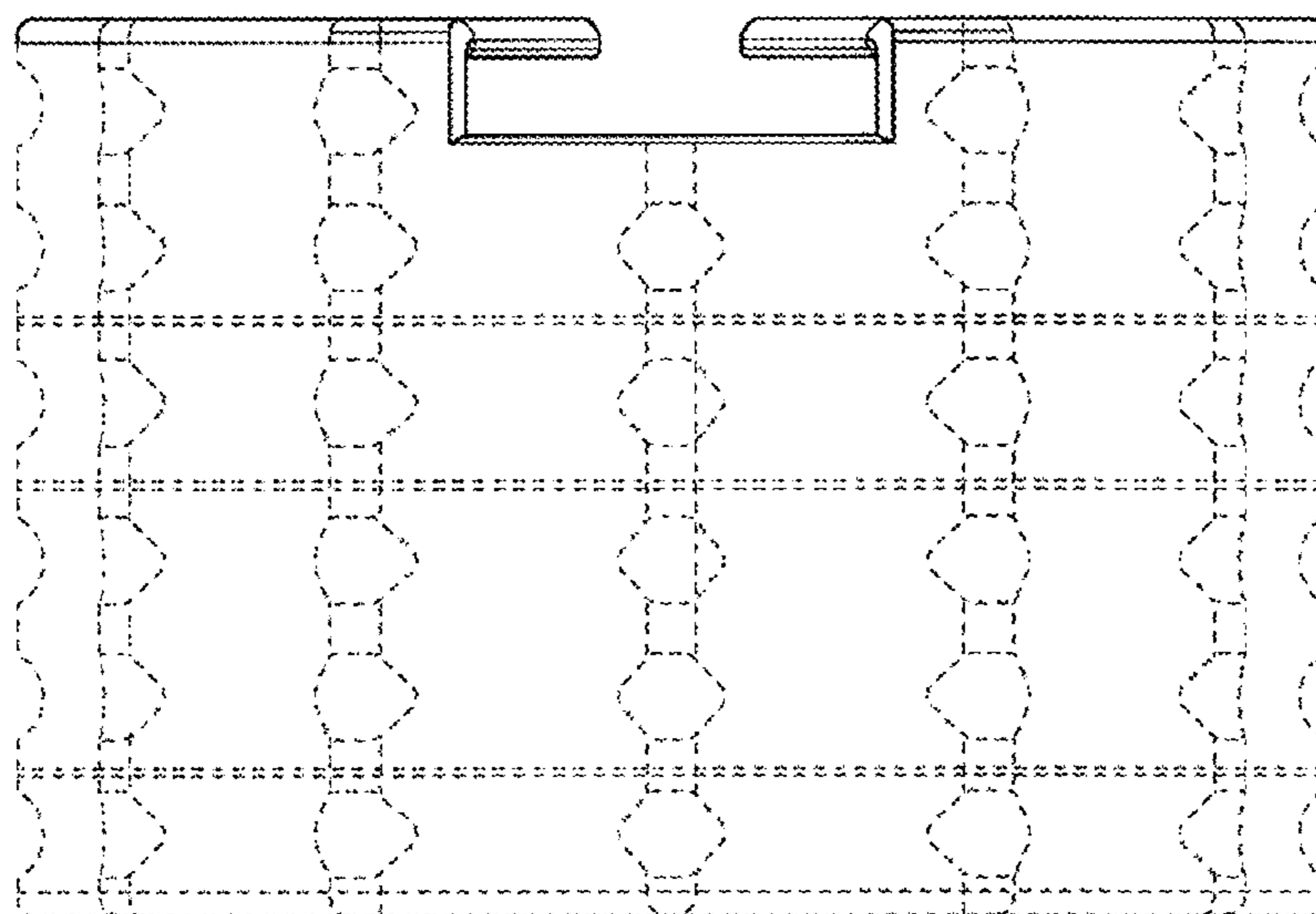


FIG. 5