

US00D755580S

(12) **United States Design Patent**
Bock et al.

(10) **Patent No.:** **US D755,580 S**
(45) **Date of Patent:** **** May 10, 2016**

- (54) **JUICE EXTRACTOR**
- (71) Applicant: **Hamilton Beach Brands, Inc.**, Glen Allen, VA (US)
- (72) Inventors: **Brian Bock**, Midlothian, VA (US);
Mark C Steiner, Midlothian, VA (US)
- (73) Assignee: **Hamilton Beach Brands, Inc.**, Glen Allen, VA (US)
- (**) Term: **14 Years**
- (21) Appl. No.: **29/518,139**
- (22) Filed: **Feb. 20, 2015**
- (51) **LOC (10) Cl.** **31-00**
- (52) **U.S. Cl.**
USPC **D7/665**
- (58) **Field of Classification Search**
USPC D7/665, 666, 368, 378, 381, 384
CPC A47J 19/027; A47J 19/02; A47J 37/0835;
A47J 19/00; A47J 43/0783; A47J 43/1032;
A47J 43/1006; A47J 43/042; A47J
2043/04463; A47J 2043/0049; A47J
2043/04427; A23N 1/10; A23N 1/003;
A23N 1/006; A23N 1/02
See application file for complete search history.

7,644,656	B2	1/2010	Esteve	
7,854,194	B2	12/2010	Siu et al.	
8,210,101	B2	7/2012	Wu Chang	
8,474,375	B2	7/2013	Jays et al.	
8,807,022	B2	8/2014	Backus	
D720,189	S	12/2014	Lee	
2007/0056450	A1	3/2007	Hensel	
2008/0314261	A1	12/2008	Hensel	
2011/0083566	A1*	4/2011	Backus A47J 19/027 99/511
2011/0154997	A1*	6/2011	Huang A23N 1/02 99/508
2012/0031285	A1	2/2012	Pucher	
2012/0097051	A1*	4/2012	Brenna A47J 19/027 99/503
2012/0192727	A1	8/2012	Wu	
2012/0192728	A1*	8/2012	Huang A47J 19/027 99/511

* cited by examiner

Primary Examiner — Terry Wallace

(74) *Attorney, Agent, or Firm* — Alexander D. Raring

(57) **CLAIM**

The ornamental design for a juicer extractor, as shown and described.

DESCRIPTION

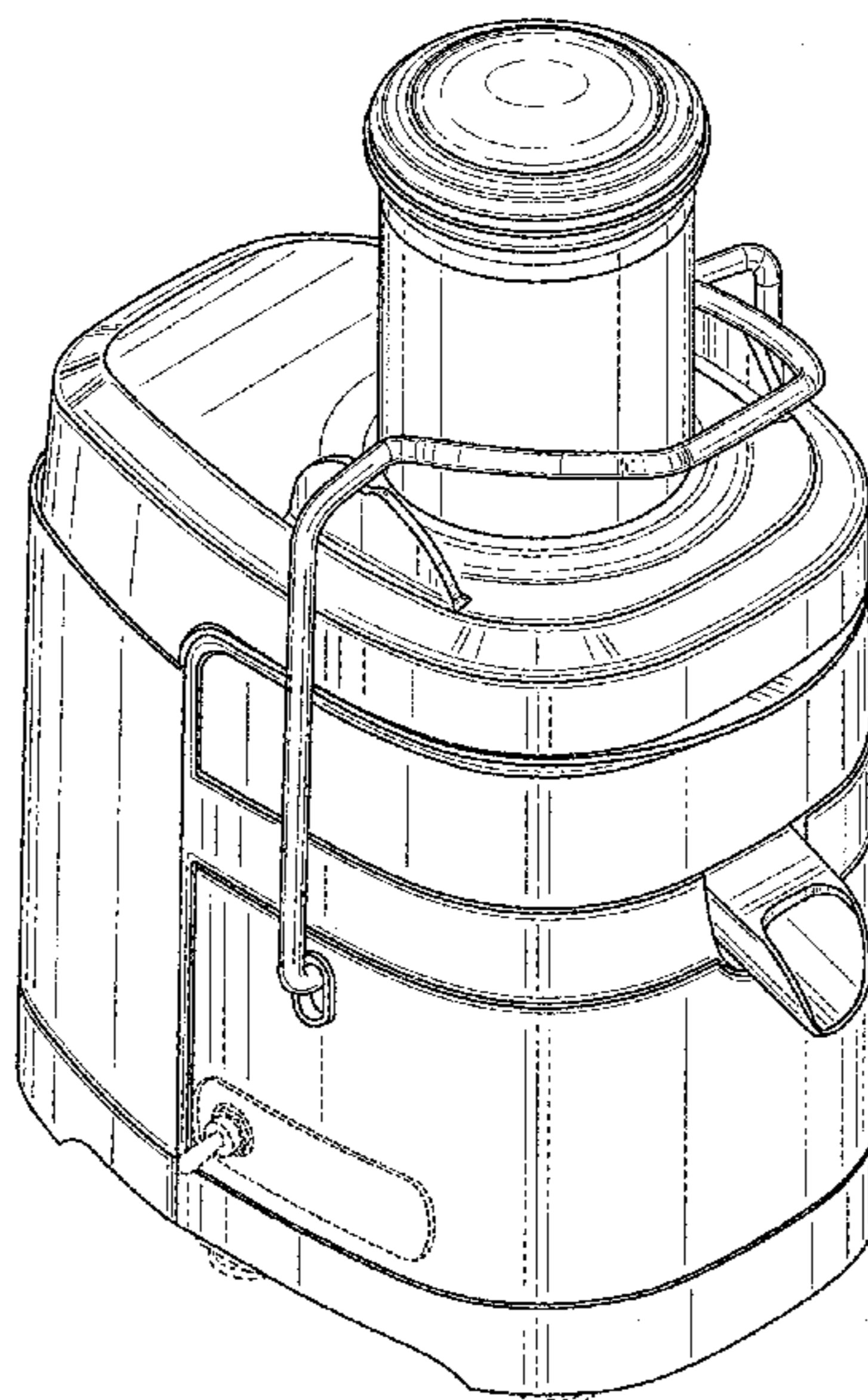
FIG. 1 is a perspective view as seen from the top, front and right side of juicer showing the new design;
 FIG. 2 is a right side view thereof;
 FIG. 3 is a left side view thereof;
 FIG. 4 is a front view thereof;
 FIG. 5 is a rear view thereof;
 FIG. 6 is a top view thereof; and,
 FIG. 7 is a bottom view thereof.
 Any broken line illustration of the structure in the drawings is not part of the claimed design.

1 Claim, 7 Drawing Sheets

(56) **References Cited**

U.S. PATENT DOCUMENTS

D159,469	S	8/1950	Bennett	
D295,481	S *	5/1988	Biarnes Bulto D7/665
5,257,575	A	11/1993	Harrison et al.	
6,962,107	B1	11/2005	Yang	
7,040,220	B1	5/2006	Cohen et al.	
D526,540	S	8/2006	Cohen et al.	
D555,434	S *	11/2007	Cohen D7/665



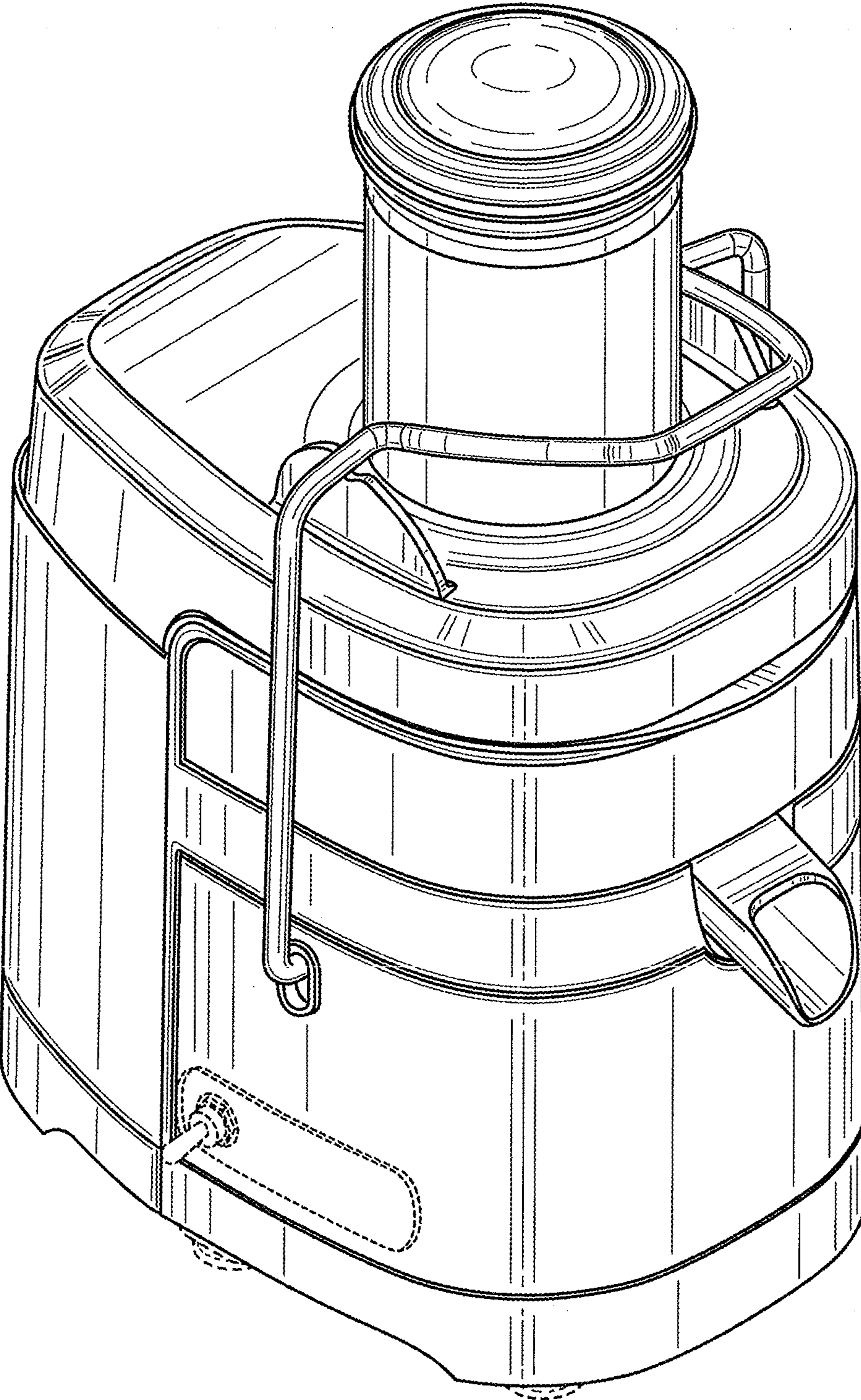


FIG. 1

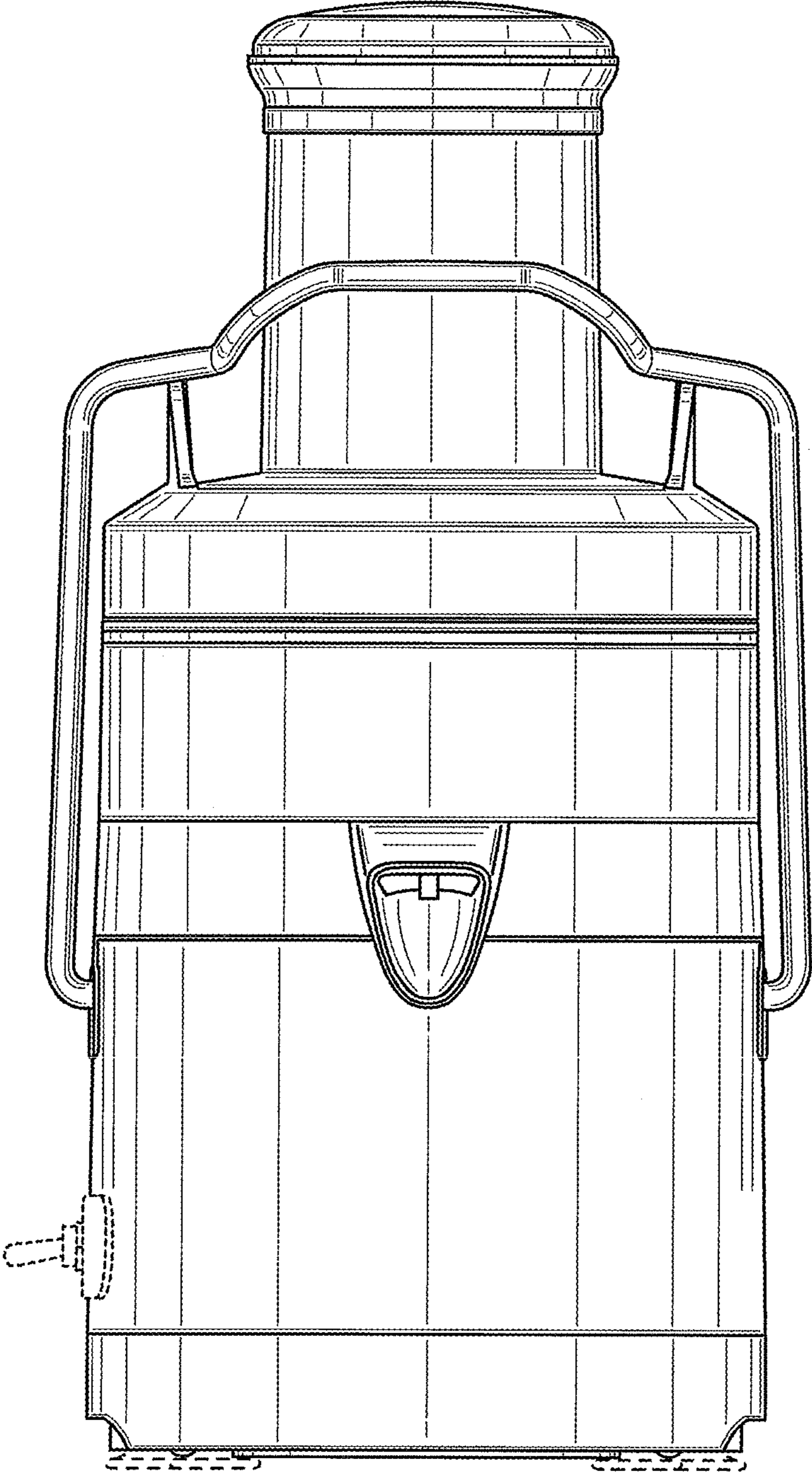


FIG. 2

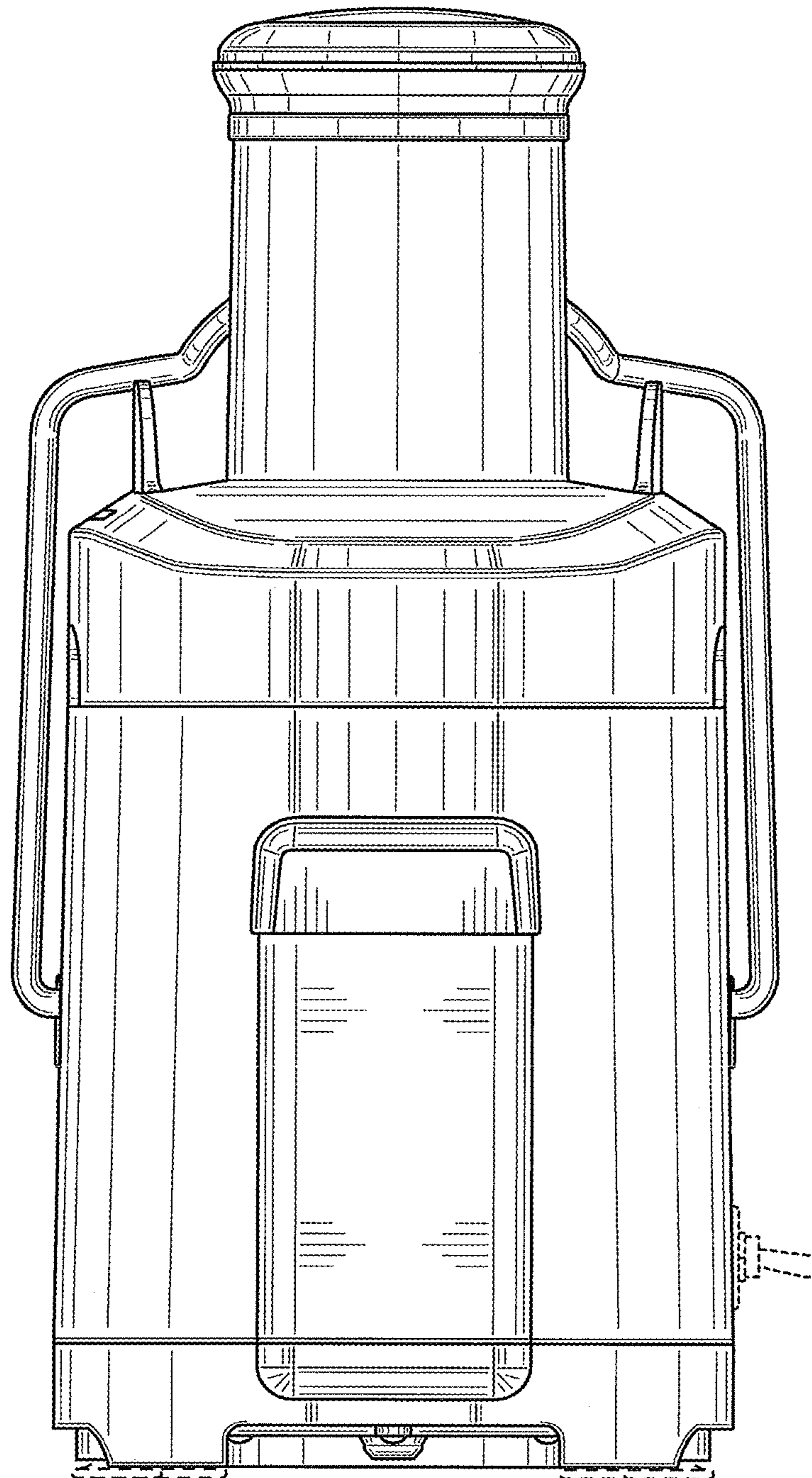


FIG. 3

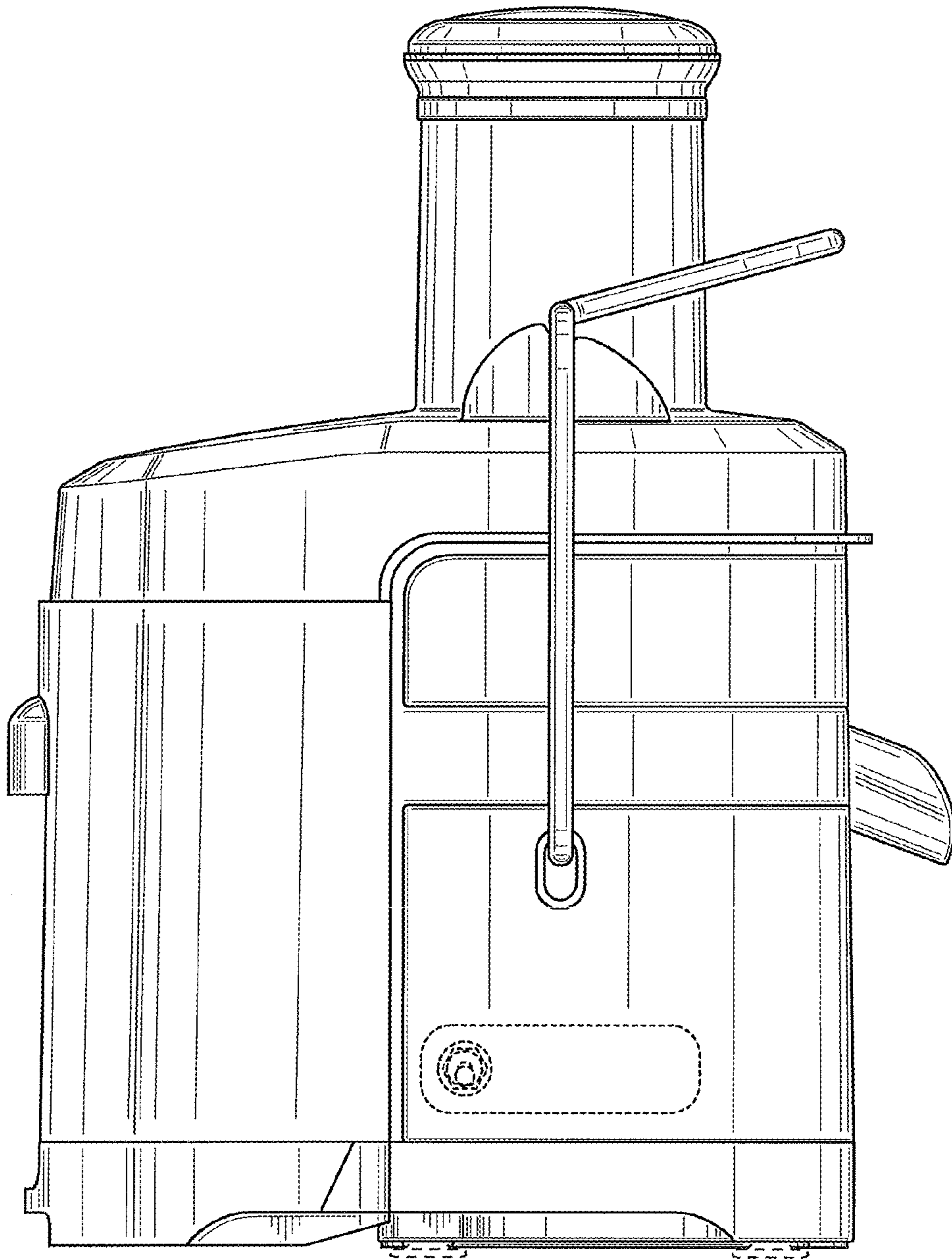


FIG. 4

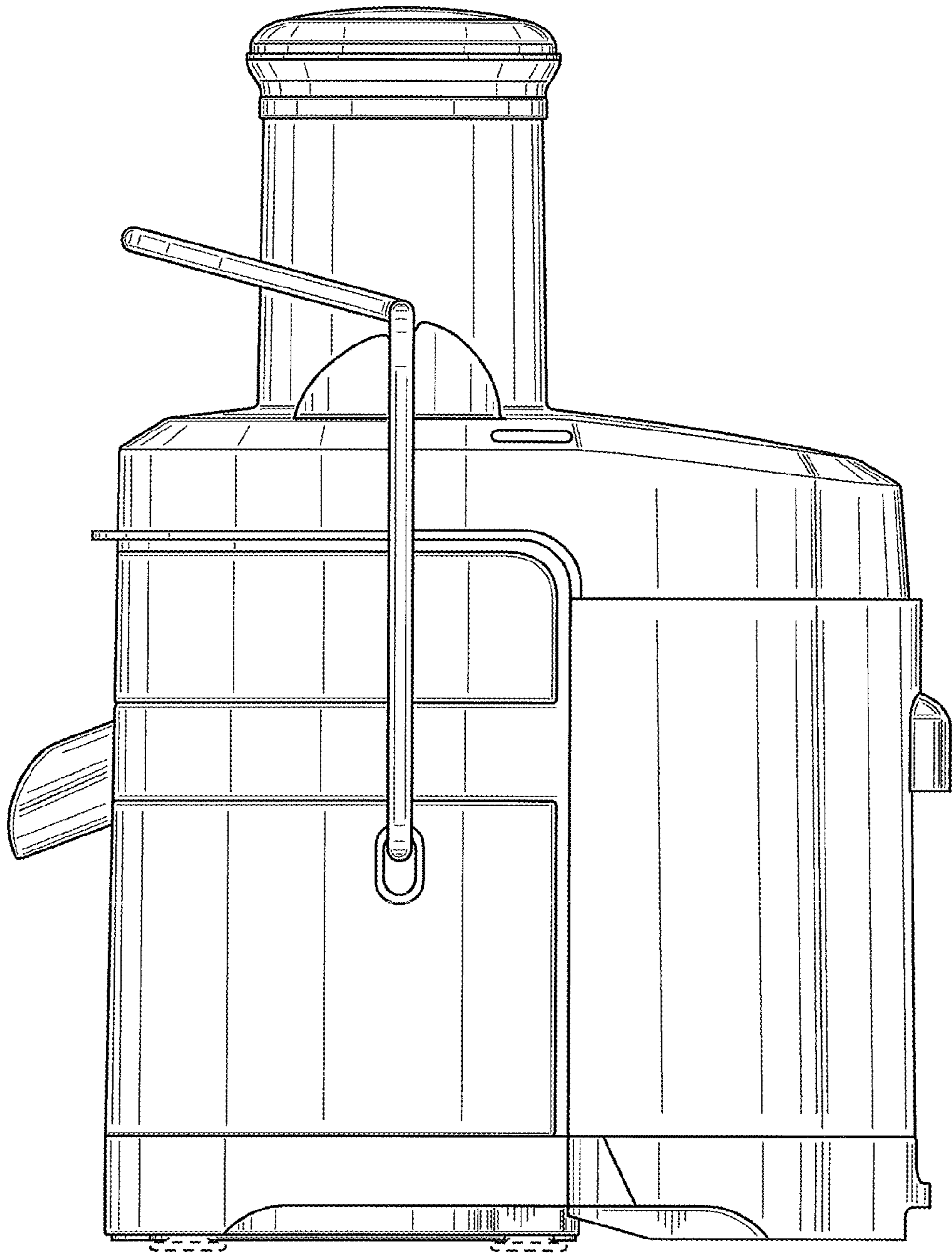


FIG. 5

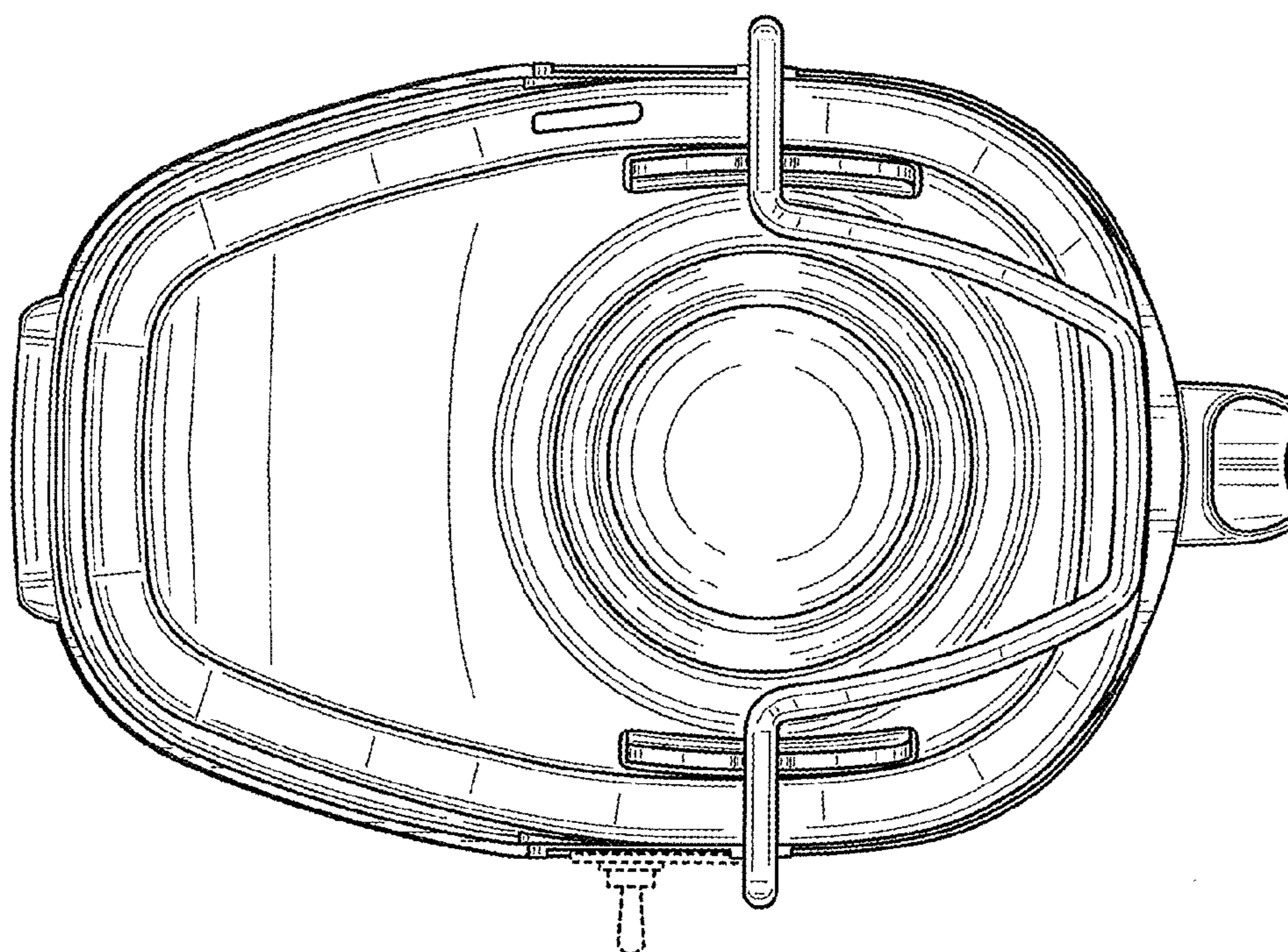


FIG. 6

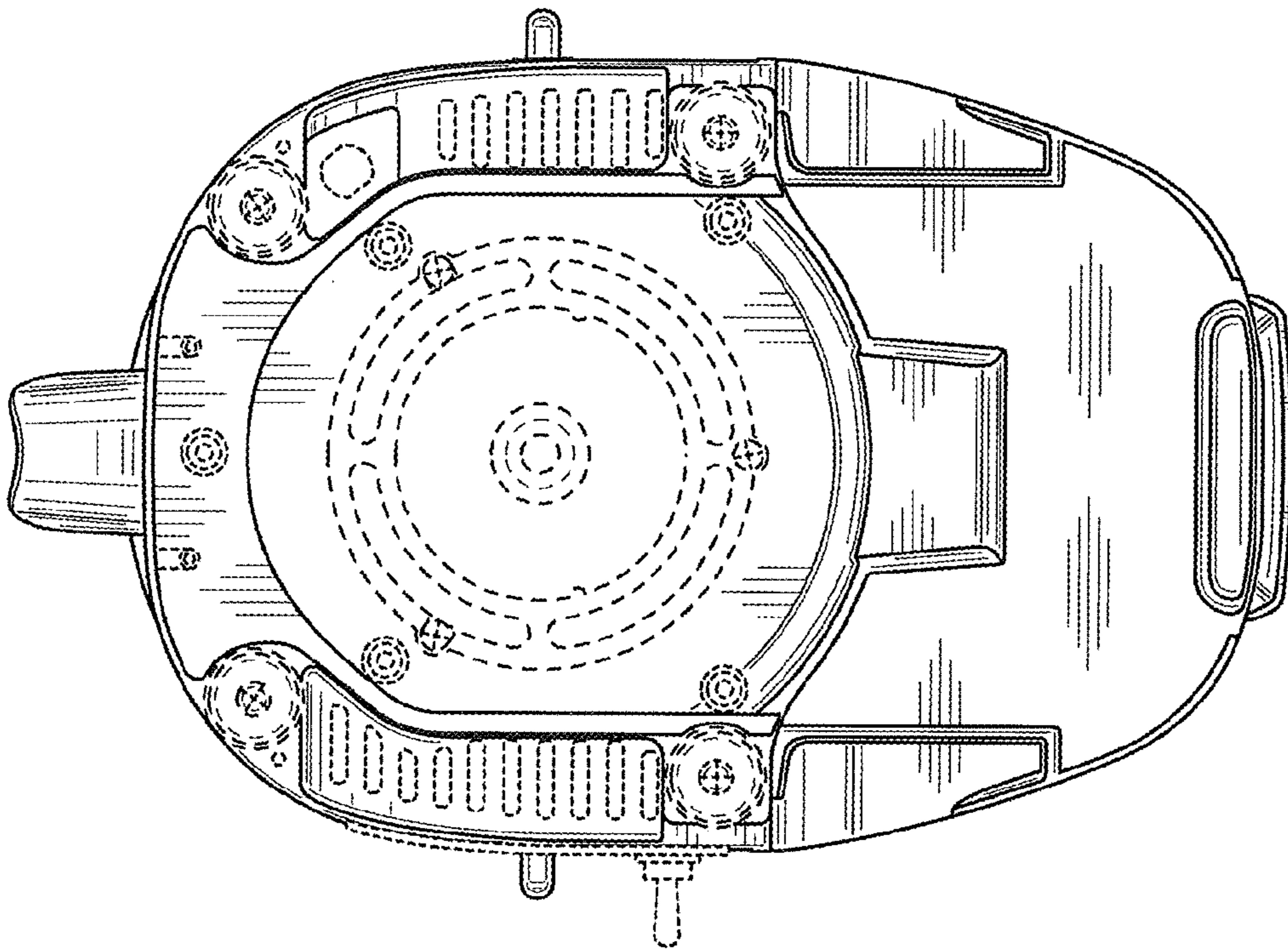


FIG. 7