



US00D755578S

(12) **United States Design Patent**
Wu

(10) **Patent No.:** **US D755,578 S**
(45) **Date of Patent:** **** May 10, 2016**

(54) **FOOD CONTAINER**

(71) Applicant: **Jingdong Wu**, Taishan (CN)

(72) Inventor: **Jingdong Wu**, Taishan (CN)

(**) Term: **14 Years**

(21) Appl. No.: **29/513,167**

(22) Filed: **Dec. 29, 2014**

(51) **LOC (10) Cl.** **07-01**

(52) **U.S. Cl.**

USPC **D7/629**

(58) **Field of Classification Search**

USPC D7/628, 629, 630, 601, 602, 538-542;
D9/424-432; D3/201

CPC B65D 43/02; B65D 43/14; B65D 43/16;
B65D 2543/00092; B65D 2543/00296; B65D
2543/00537

See application file for complete search history.

(56) **References Cited**

U.S. PATENT DOCUMENTS

D466,808 S *	12/2002	Liu	D9/425
D468,637 S *	1/2003	Chou	D9/425
D554,988 S *	11/2007	Sim	D9/425
D606,368 S *	12/2009	Wu	D7/629
D606,812 S *	12/2009	Wu	D7/629
D614,950 S *	5/2010	Colacitti	D7/354
D618,516 S *	6/2010	DiPietro	D7/629
D628,474 S *	12/2010	Snedden	D9/426
D649,409 S *	11/2011	Segal	D7/629
D649,410 S *	11/2011	Segal	D7/629
D656,367 S *	3/2012	Segal	D7/629

D665,677 S *	8/2012	Wu	D7/629
D668,950 S *	10/2012	Sanfilippo	D9/423
D681,451 S *	5/2013	Kui	D9/432
D691,037 S *	10/2013	Chen	D9/423
D724,903 S *	3/2015	Chen	D7/629
2010/0170204 A1 *	7/2010	Alzheimer	B65D 43/0218 53/476

* cited by examiner

Primary Examiner — George D Kirschbaum

Assistant Examiner — Clese Moore, Jr.

(74) *Attorney, Agent, or Firm* — Schmeiser, Olsen & Watts, LLP

(57) **CLAIM**

The ornamental design for a food container, as shown and described.

DESCRIPTION

FIG. 1 is a top perspective view of a food container showing my new design;

FIG. 2 is a top plan view thereof;

FIG. 3 is a front elevational view thereof; the rear elevational view; the right-side elevational view; and the left-side elevational view being identical thereof;

FIG. 4 is a bottom plan view thereof;

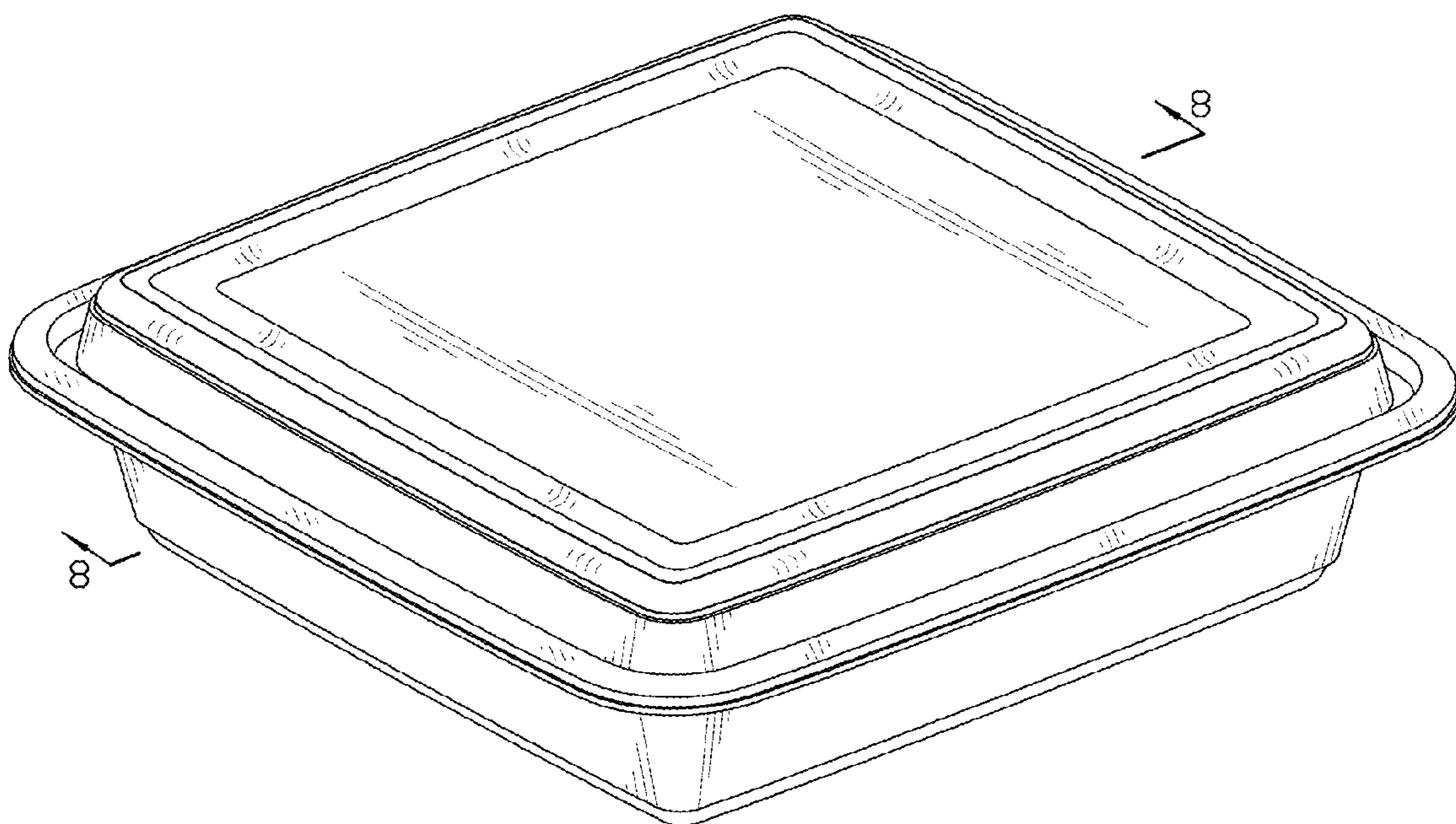
FIG. 5 is a bottom perspective view thereof;

FIG. 6 is an exploded top perspective view of a food container of FIG. 1 shown open thereof;

FIG. 7 is an exploded bottom perspective view of a food container of FIG. 1 shown open thereof; and,

FIG. 8 is a cross-sectional view of a food container taken along line 8-8 of FIG. 1.

1 Claim, 8 Drawing Sheets



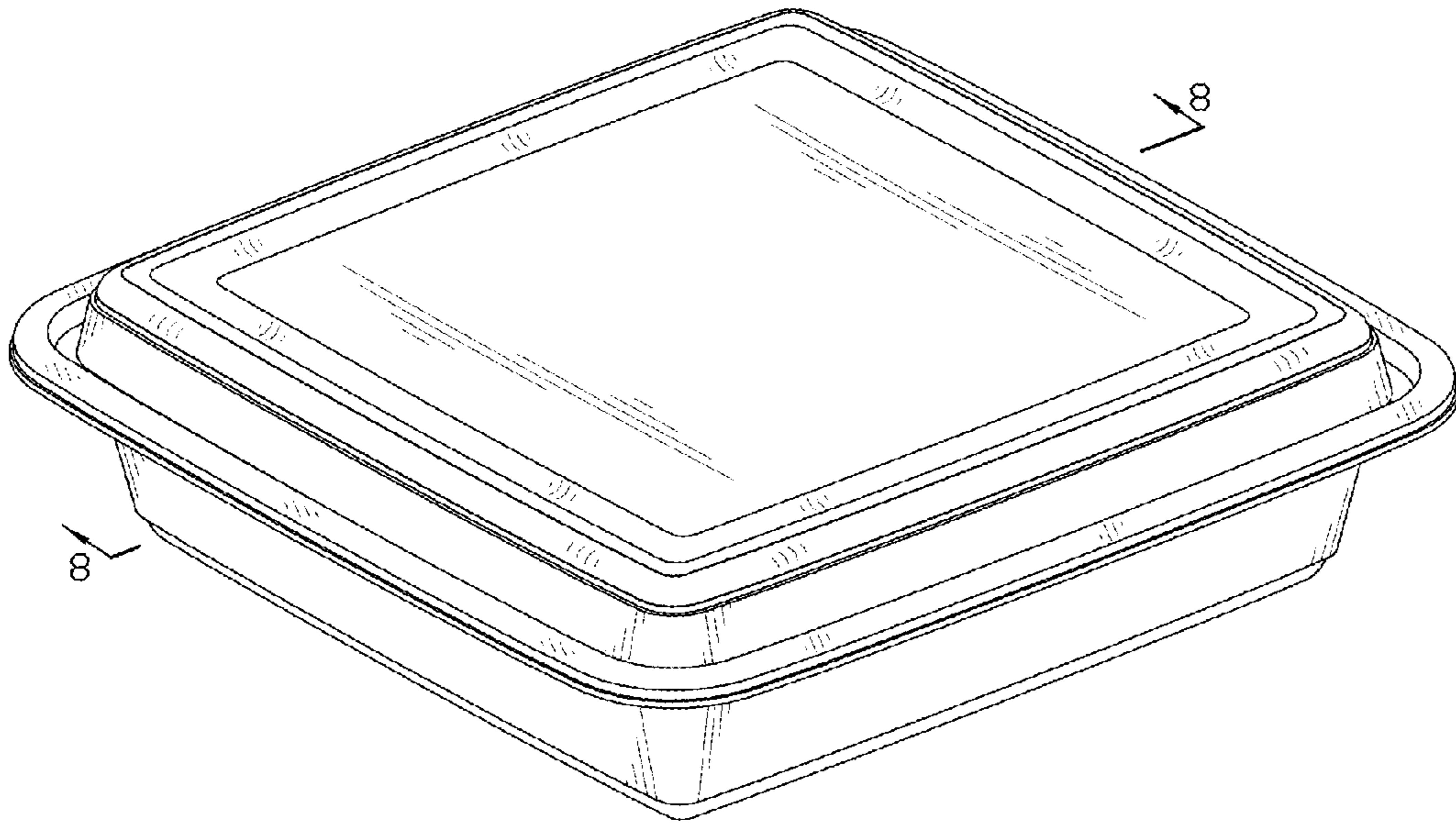


FIG. 1

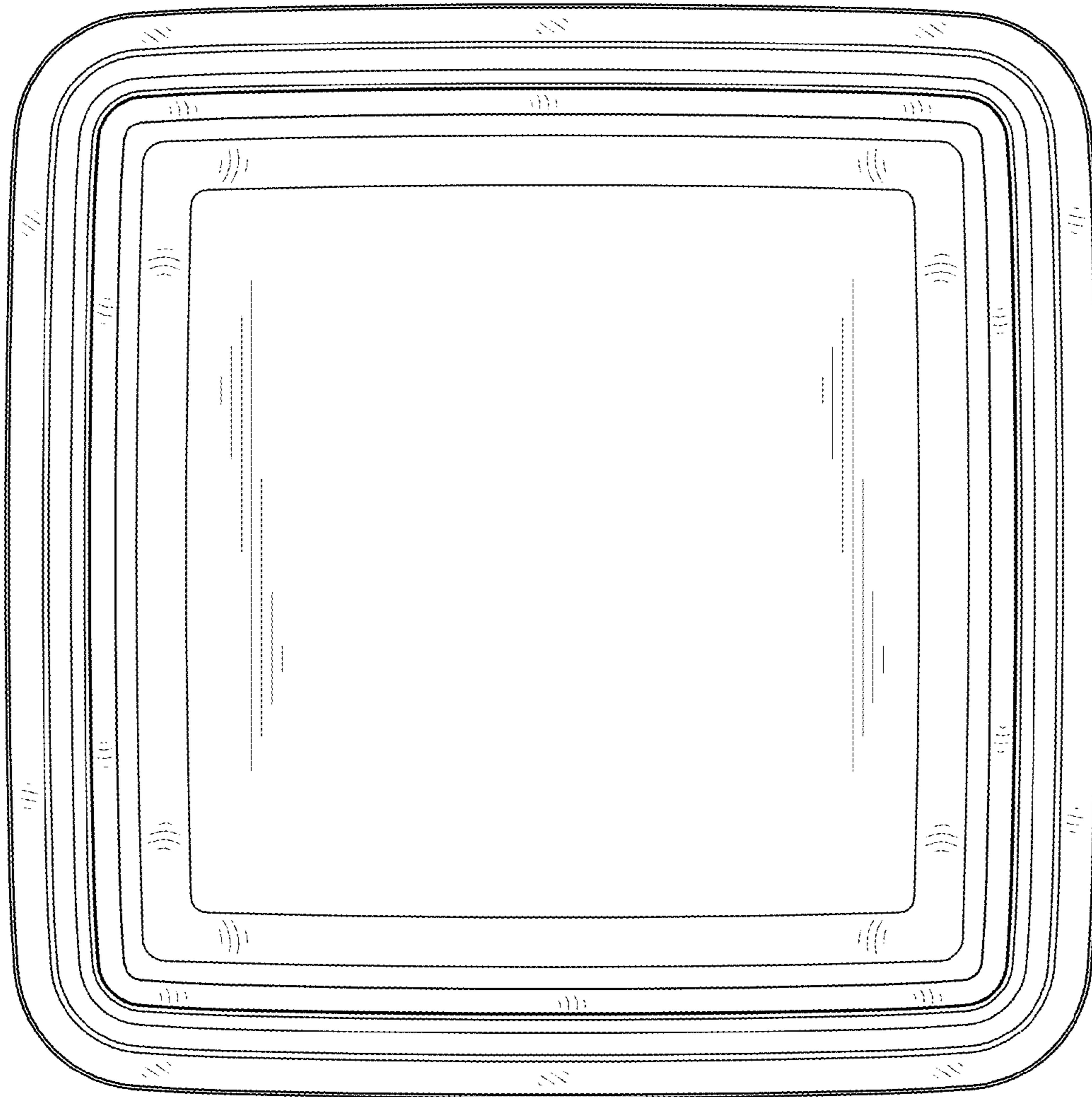


FIG. 2

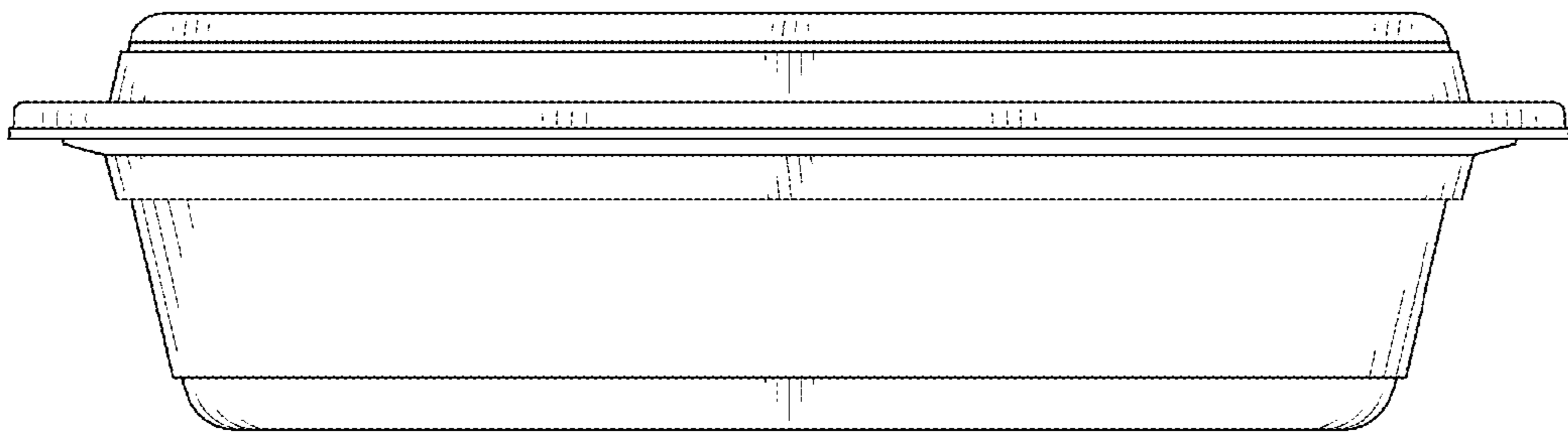


FIG. 3

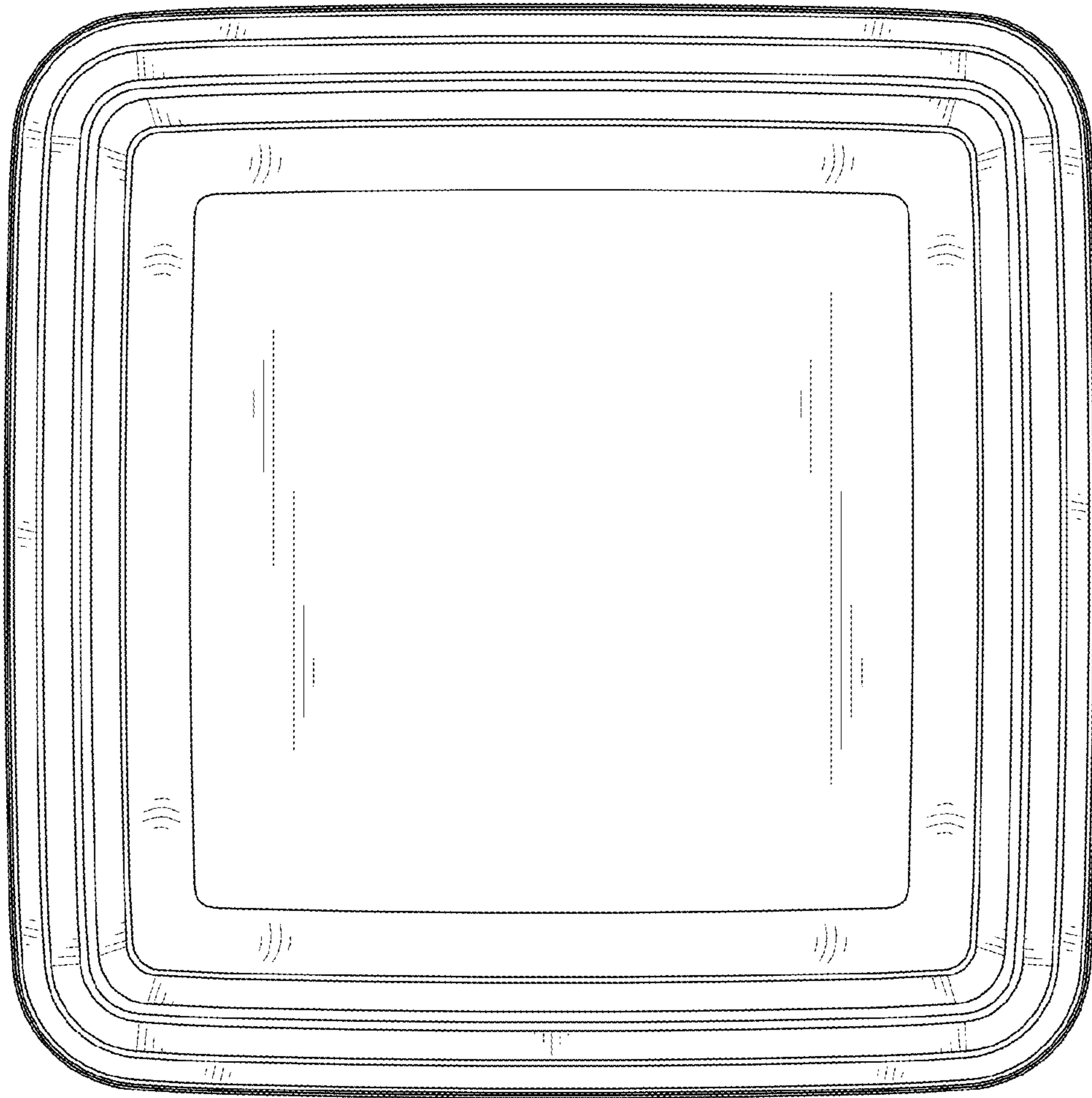


FIG. 4

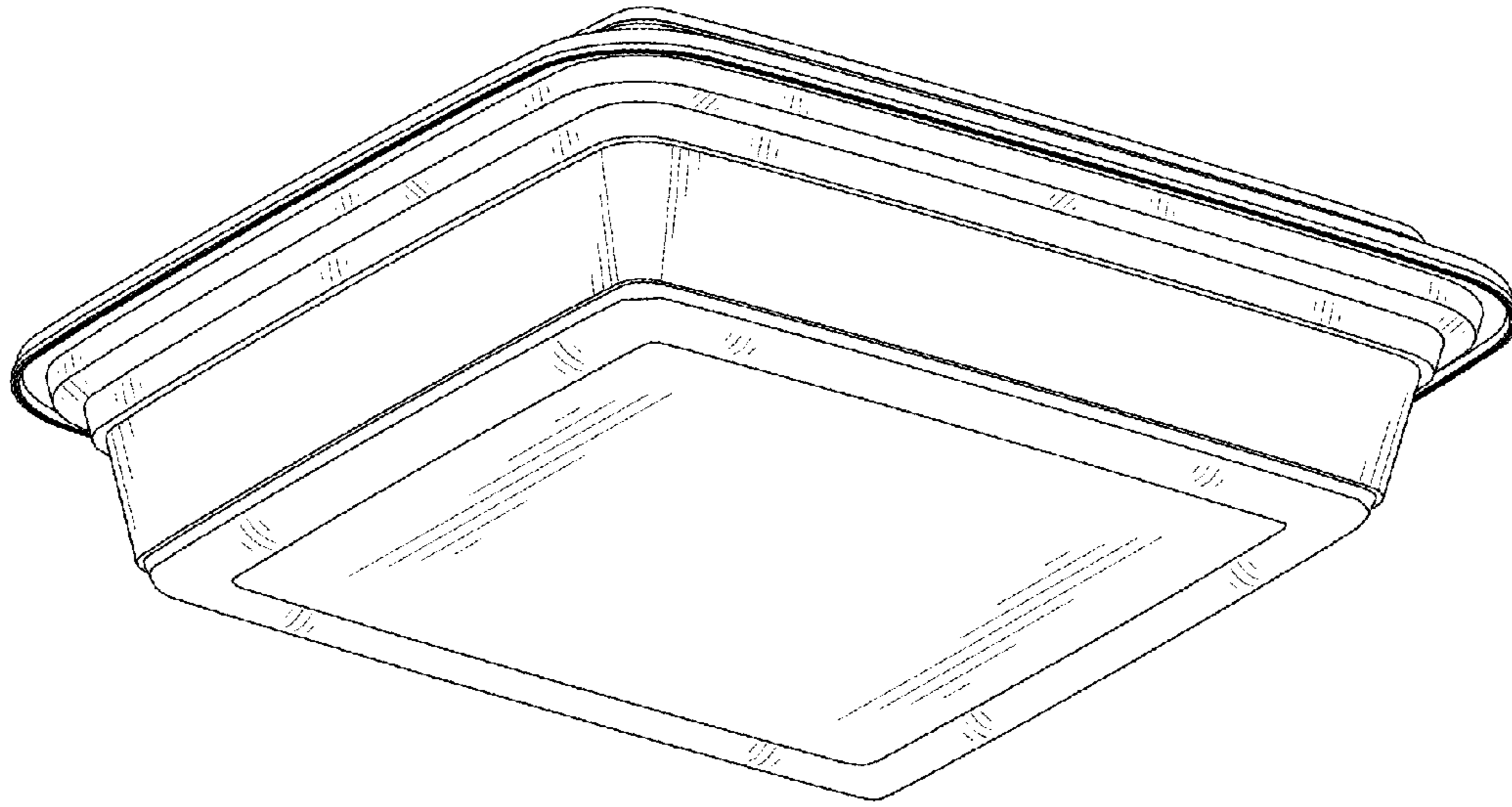


FIG 5

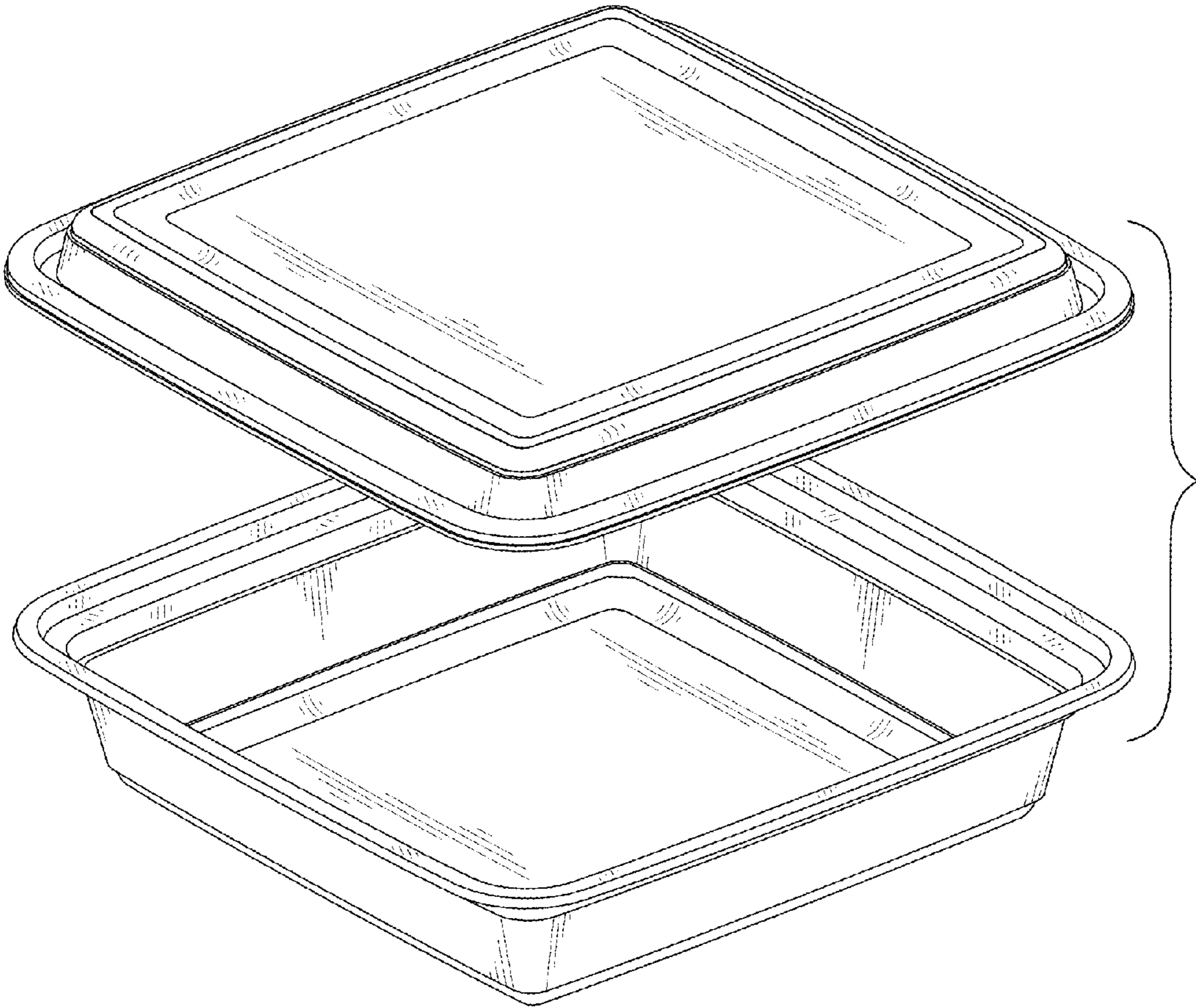


FIG 6

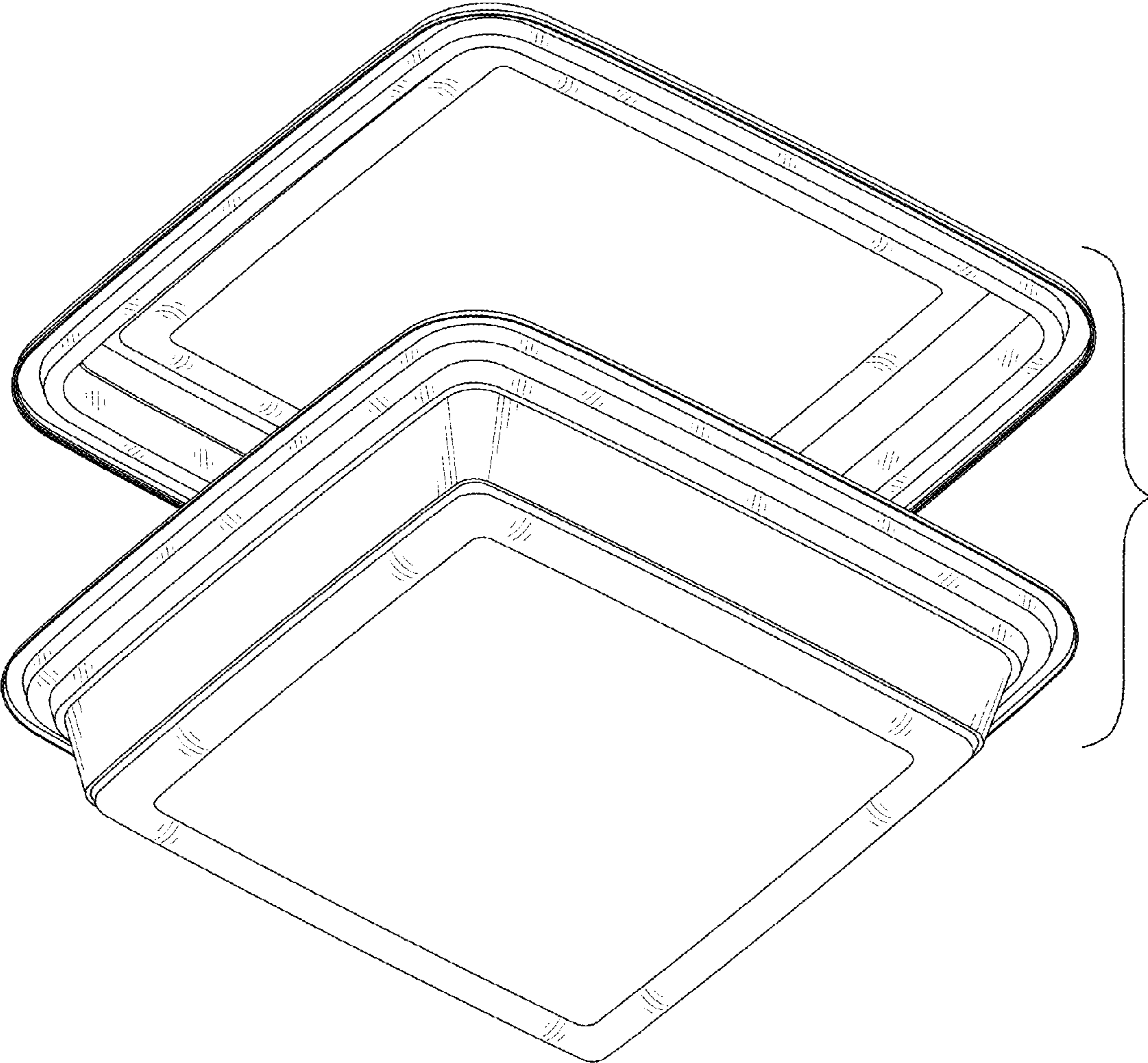


FIG. 7

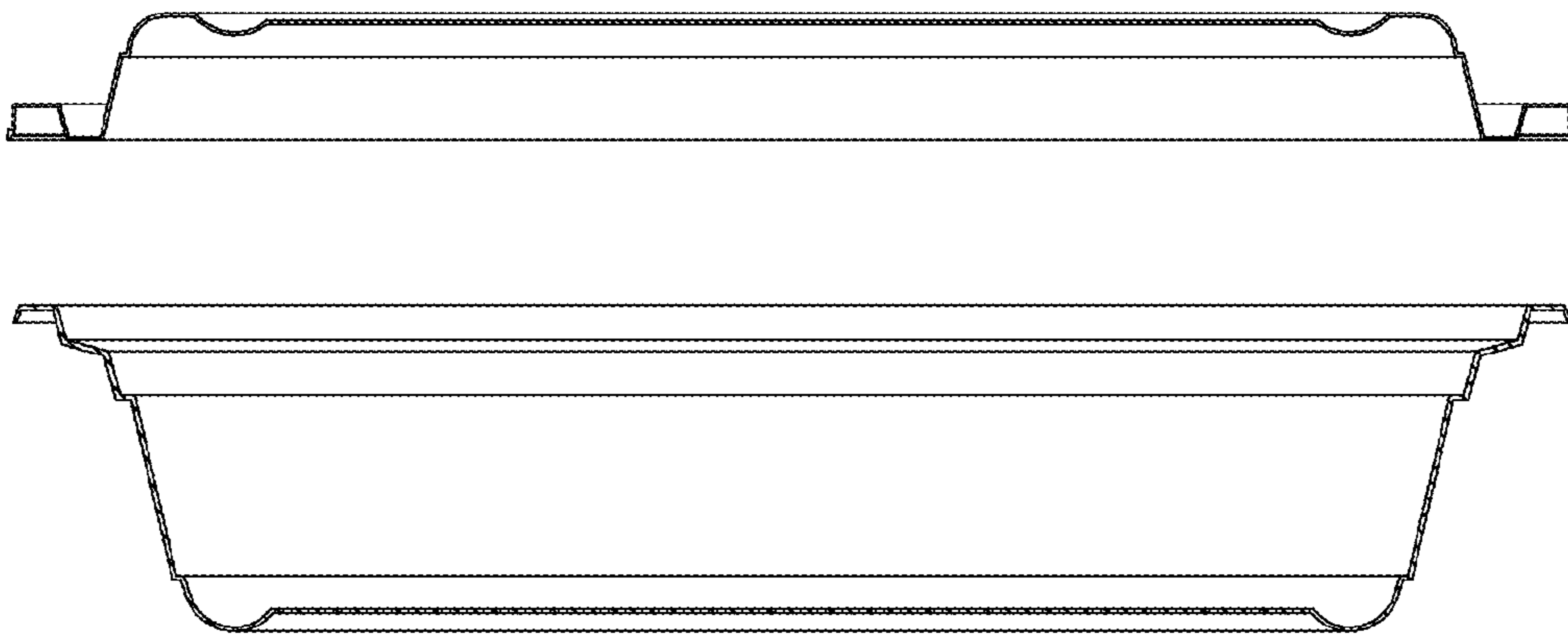


FIG. 8