



US00D755577S

(12) **United States Design Patent**  
**Segal**

(10) **Patent No.:** **US D755,577 S**  
(45) **Date of Patent:** **\*\* May 10, 2016**

- (54) **FOOTBALL CONTAINER**
- (71) Applicant: **Alexander Segal**, Richmond Hill (CA)
- (72) Inventor: **Alexander Segal**, Richmond Hill (CA)
- (73) Assignee: **CUBE PACKAGING SOLUTIONS INC.**, Aurora (CA)
- (\*\*) Term: **14 Years**
- (21) Appl. No.: **29/497,750**
- (22) Filed: **Jul. 28, 2014**
- (51) **LOC (10) Cl.** ..... **07-01**
- (52) **U.S. Cl.**  
USPC ..... **D7/629**
- (58) **Field of Classification Search**  
USPC ..... D7/629, 630, 601, 602, 538–542;  
D3/201, 203.1–203.8, 205, 206;  
D9/424–432  
CPC ..... B65D 43/02; B65D 43/14; B65D 43/16;  
B65D 2543/00092; B65D 2543/00296; B65D  
2543/00537  
See application file for complete search history.

D656,367 S *	3/2012	Segal	.....	D7/629
D656,368 S *	3/2012	Segal	.....	D7/629
D670,162 S *	11/2012	Segal	.....	D9/424
D702,510 S *	4/2014	Segal	.....	D7/629
D702,511 S *	4/2014	Segal	.....	D7/629

\* cited by examiner

*Primary Examiner* — George D Kirschbaum  
*Assistant Examiner* — Clese Moore, Jr.

(57) **CLAIM**  
The ornamental design for a football container, as shown and described.

**DESCRIPTION**

FIG. 1 is a top perspective view showing my new design for a football container, including a base and a lid.

FIG. 2 is a top perspective view of the football-shaped container shown in FIG. 1, with the lid separated from the base.

FIG. 3 is bottom perspective view of the football-shaped container shown in FIG. 1, with the lid separated from the base.

FIG. 4 is a side view of the football-shaped container shown in FIG. 1.

FIG. 5 is a side view of the football-shaped container shown in FIG. 1, with the lid separated from the base.

FIG. 6 is an end view of the football-shaped container shown in FIG. 1.

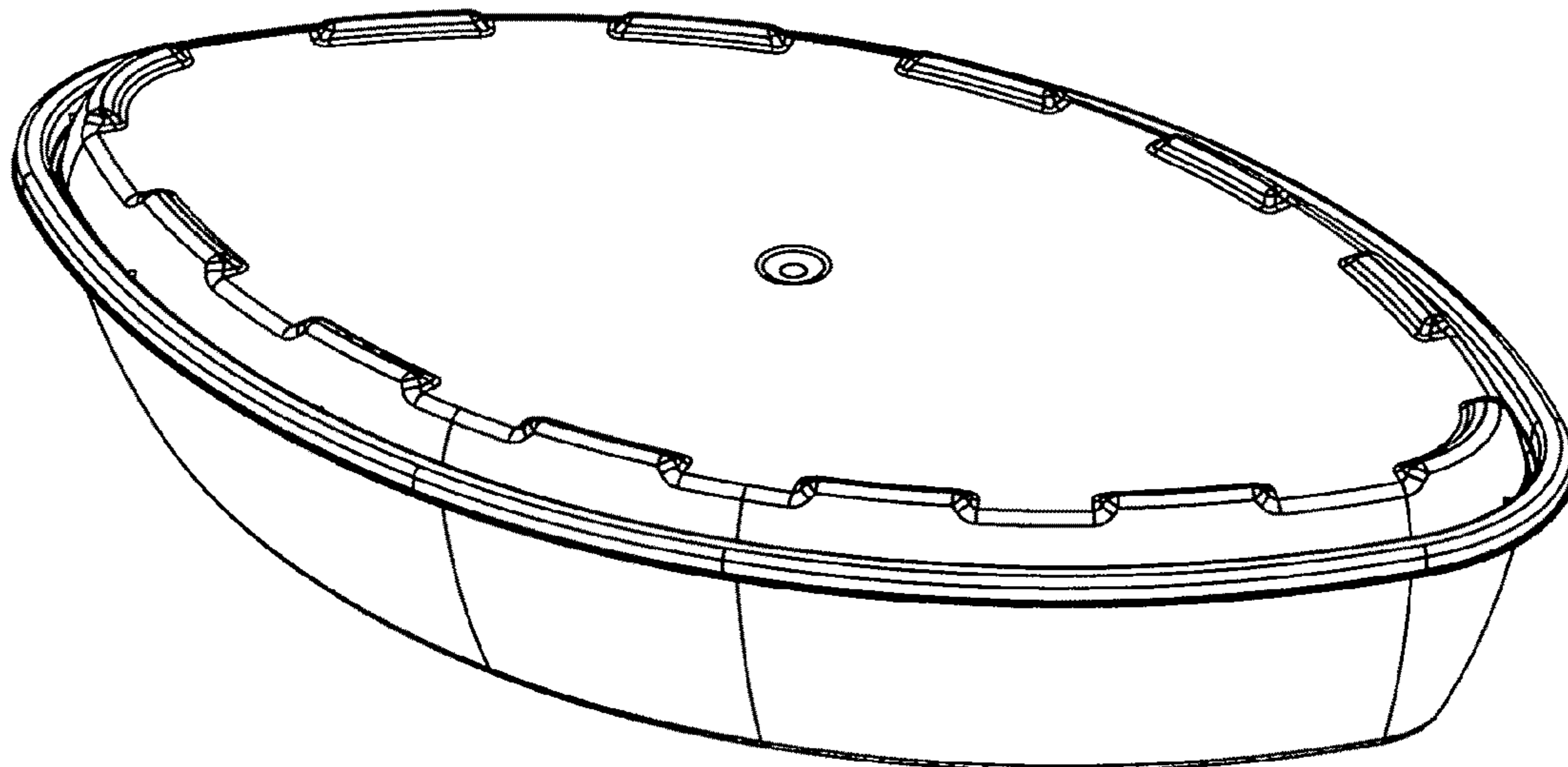
FIG. 7 is an end view of the football-shaped container shown in FIG. 1, with the lid separated from the base.

FIG. 8 is a top view of the lid of the football-shaped container shown in FIG. 1; and,

FIG. 9 is a bottom view of the lid of the football-shaped container shown in FIG. 1.

**1 Claim, 9 Drawing Sheets**

- (56) **References Cited**  
U.S. PATENT DOCUMENTS
- |              |         |             |       |        |
|--------------|---------|-------------|-------|--------|
| D391,808 S * | 3/1998  | Voegel      | ..... | D7/538 |
| D403,922 S * | 1/1999  | Terracciano | ..... | D7/360 |
| D434,557 S * | 12/2000 | Vercelli    | ..... | D3/201 |
| D455,614 S * | 4/2002  | Miller      | ..... | D7/629 |
| D564,214 S * | 3/2008  | Huang       | ..... | D3/201 |
| D565,288 S * | 4/2008  | Hickman     | ..... | D3/201 |
| D606,812 S * | 12/2009 | Wu          | ..... | D7/629 |
| D649,410 S * | 11/2011 | Segal       | ..... | D7/629 |



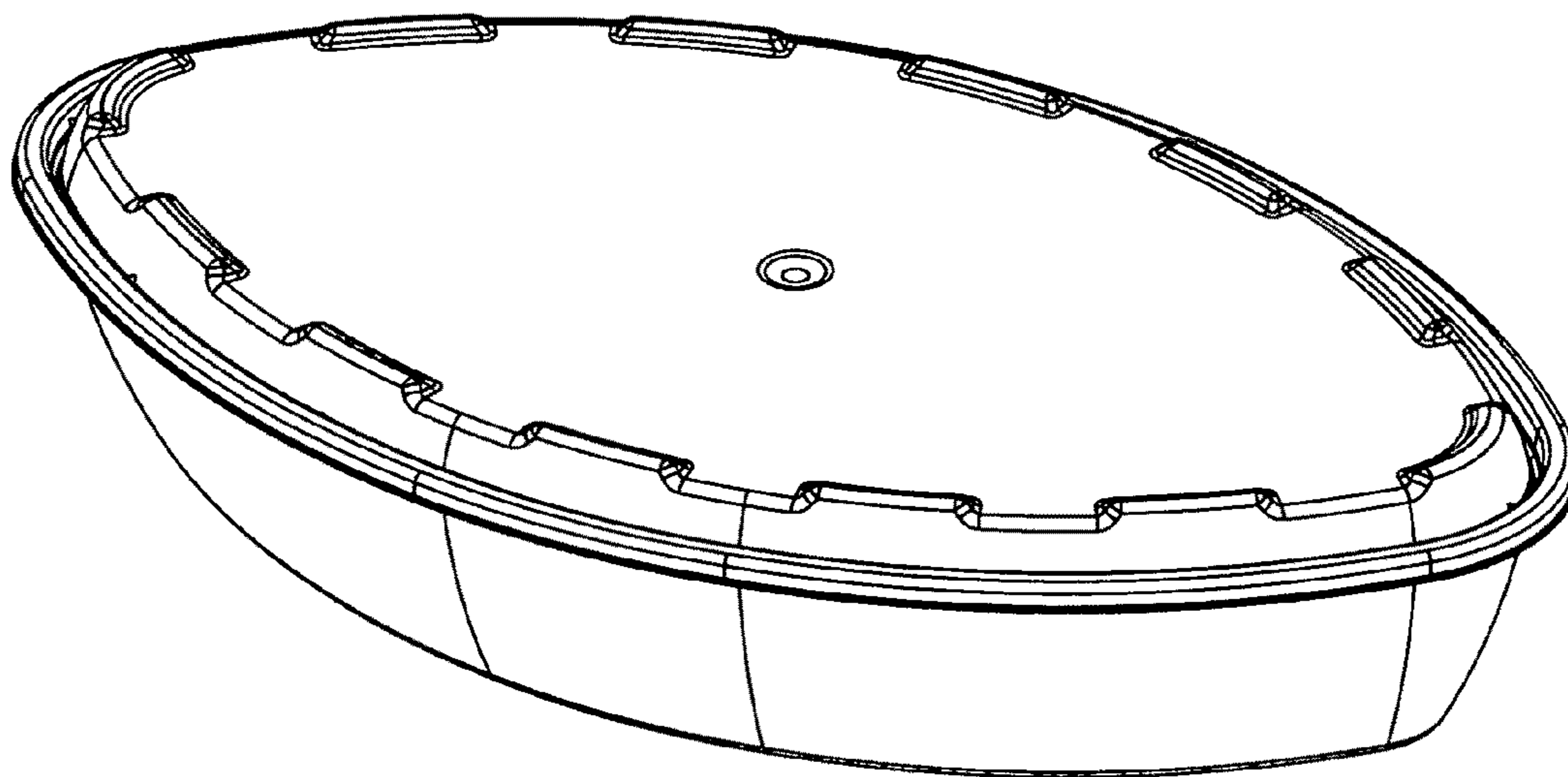


Fig. 1

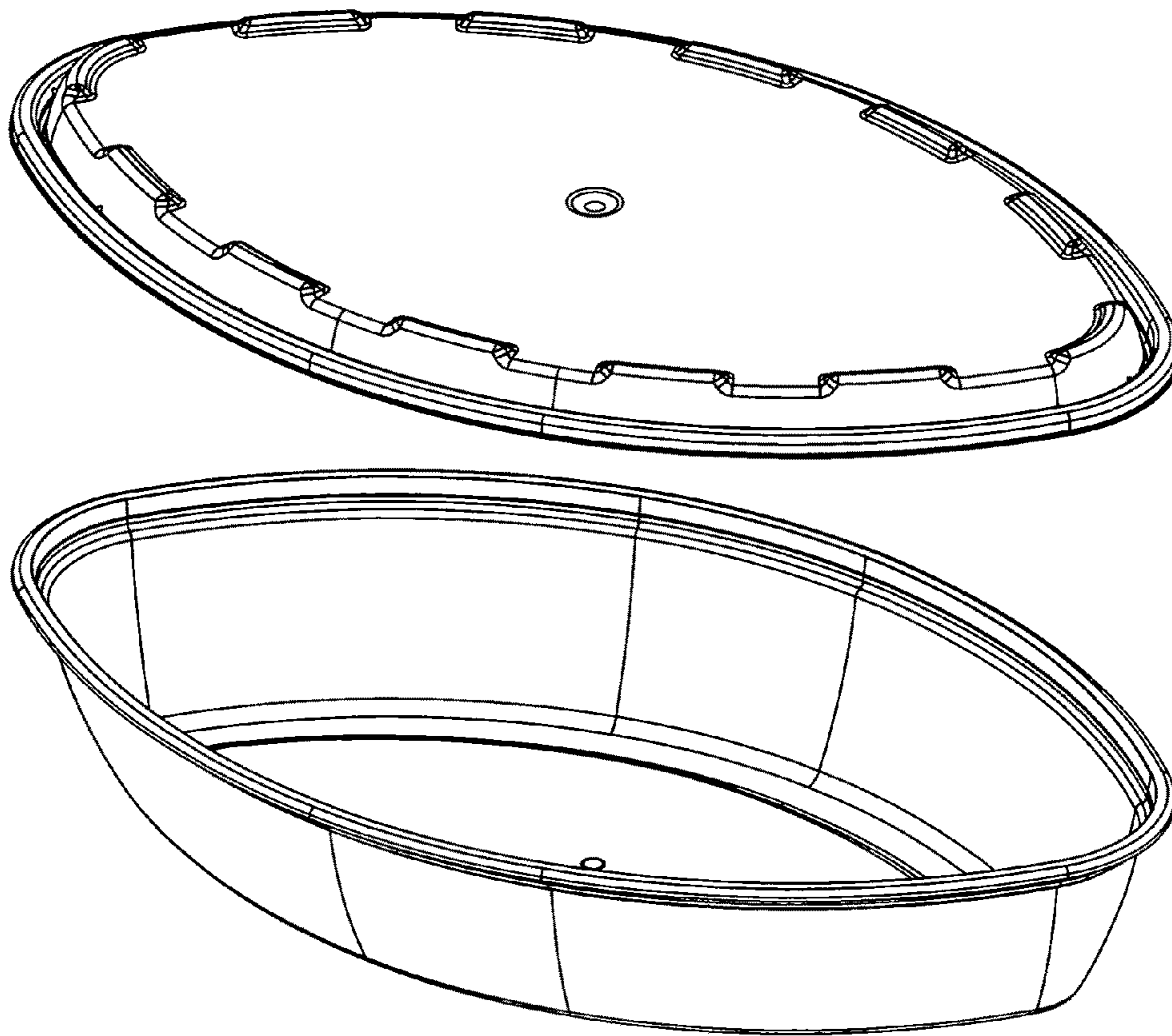


Fig. 2

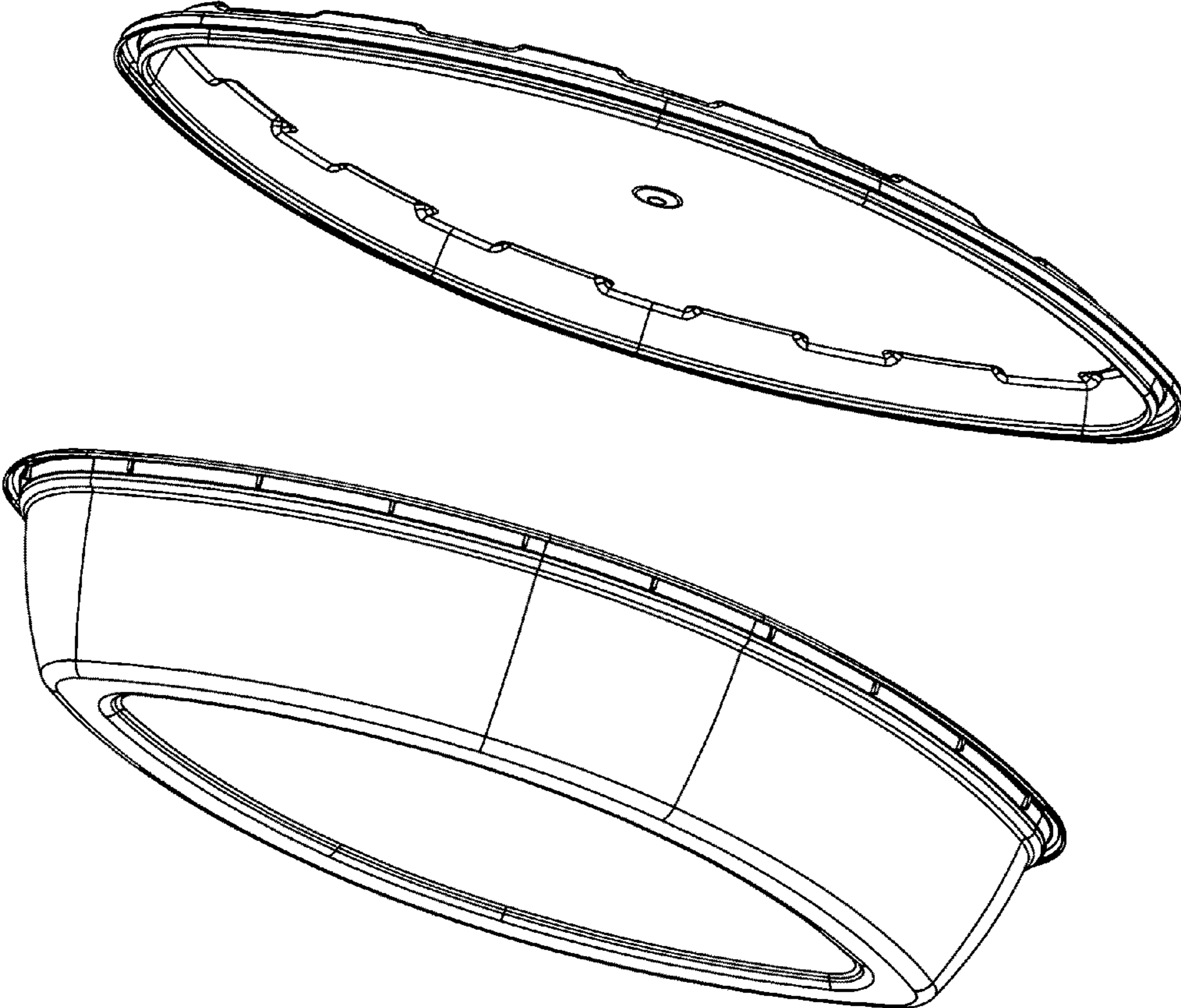


Fig. 3

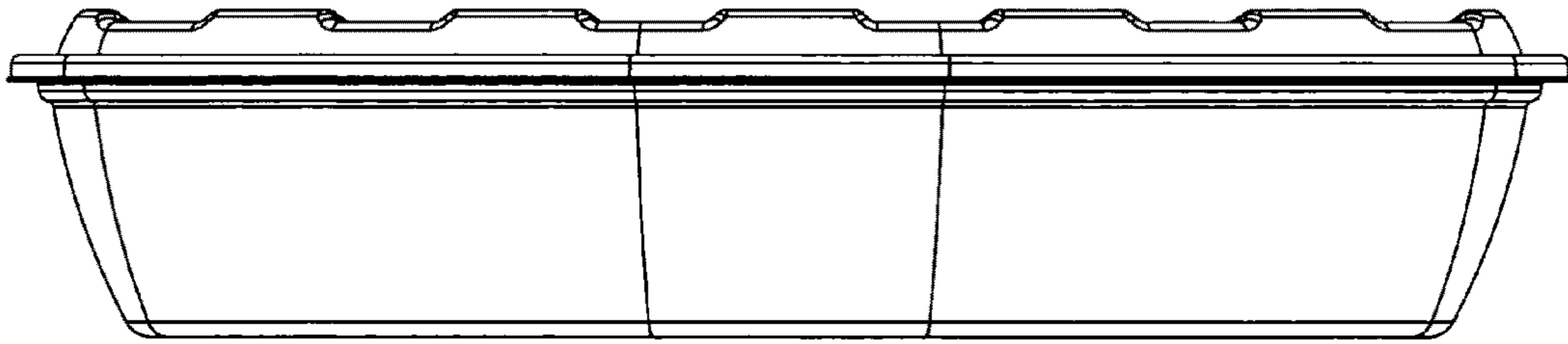


Fig. 4

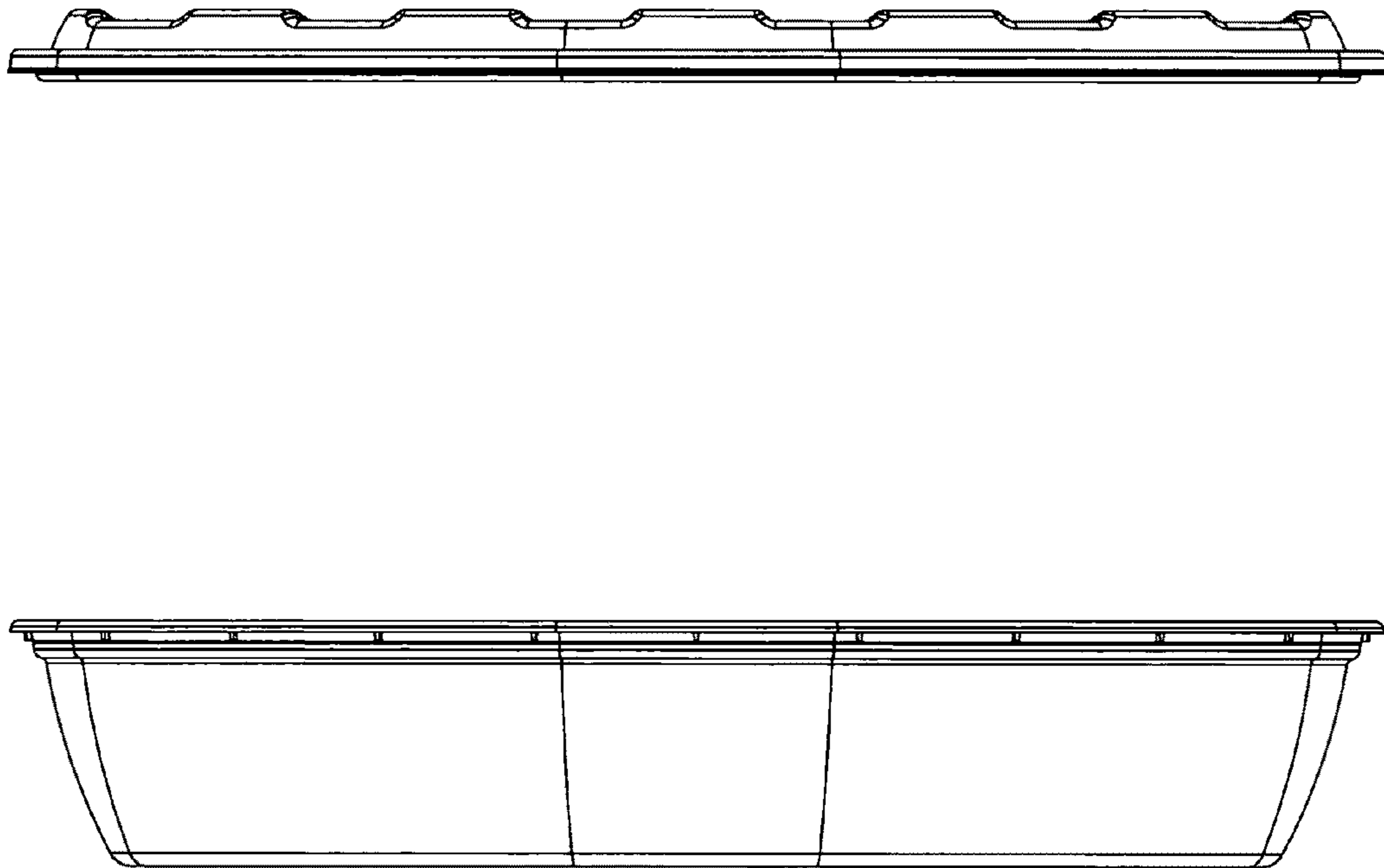


Fig. 5

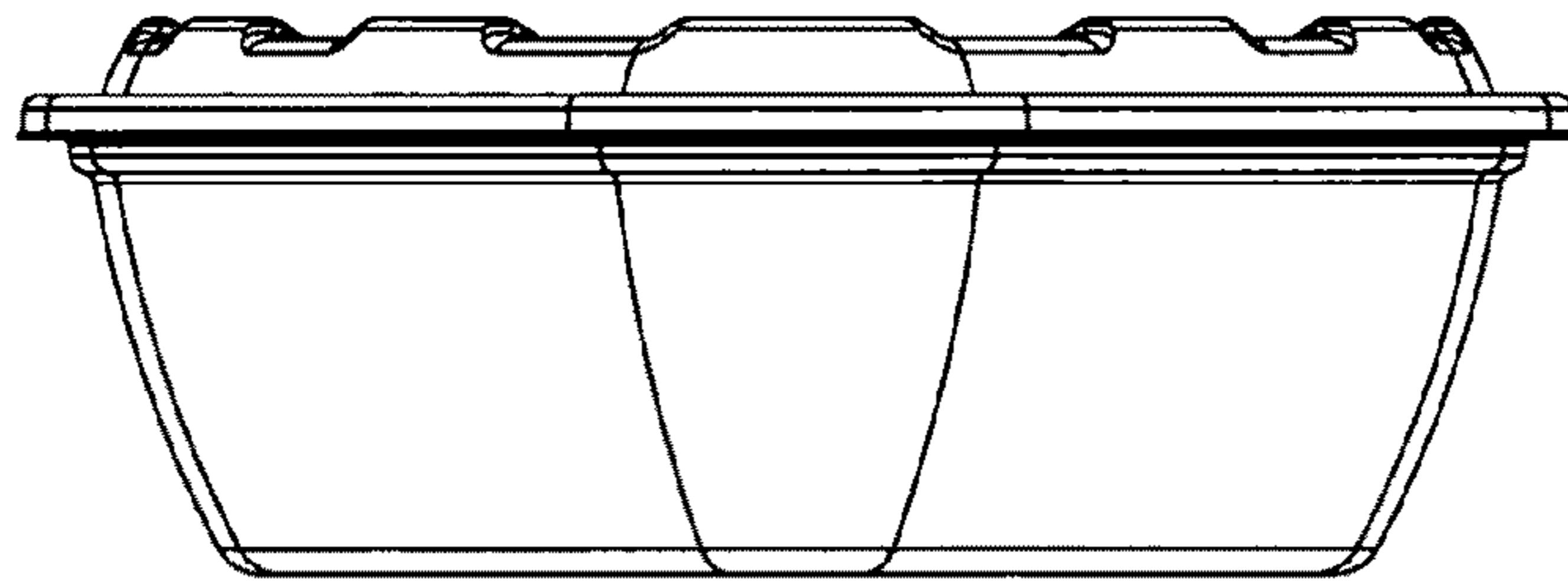


Fig. 6

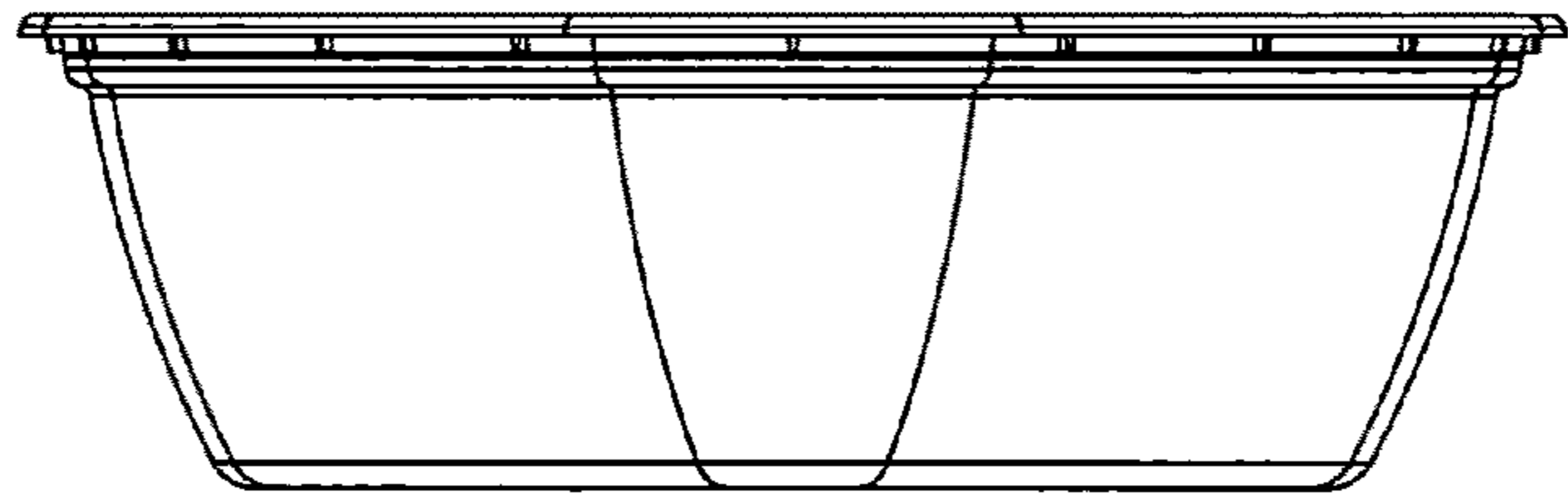


Fig. 7



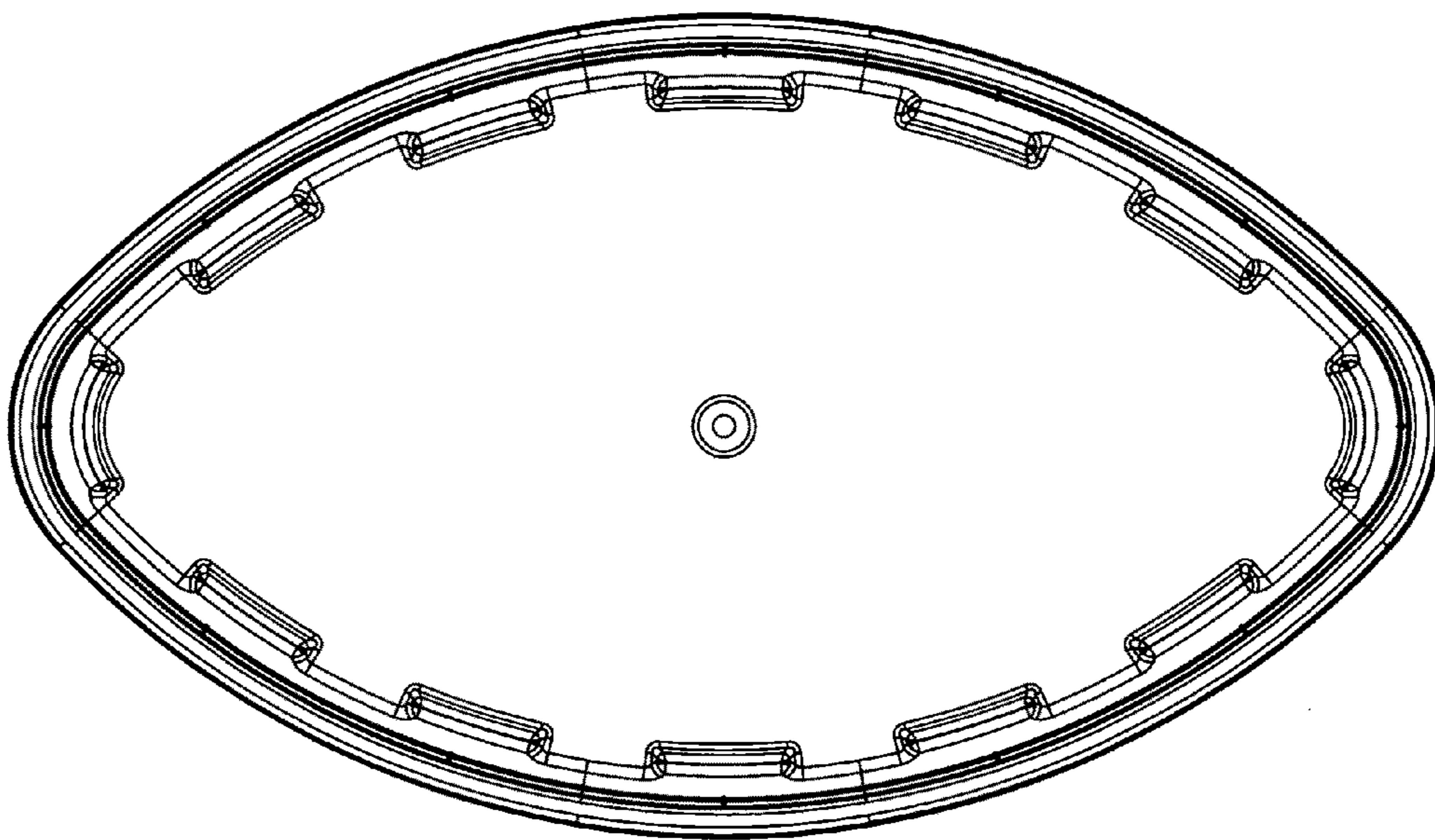


Fig. 8

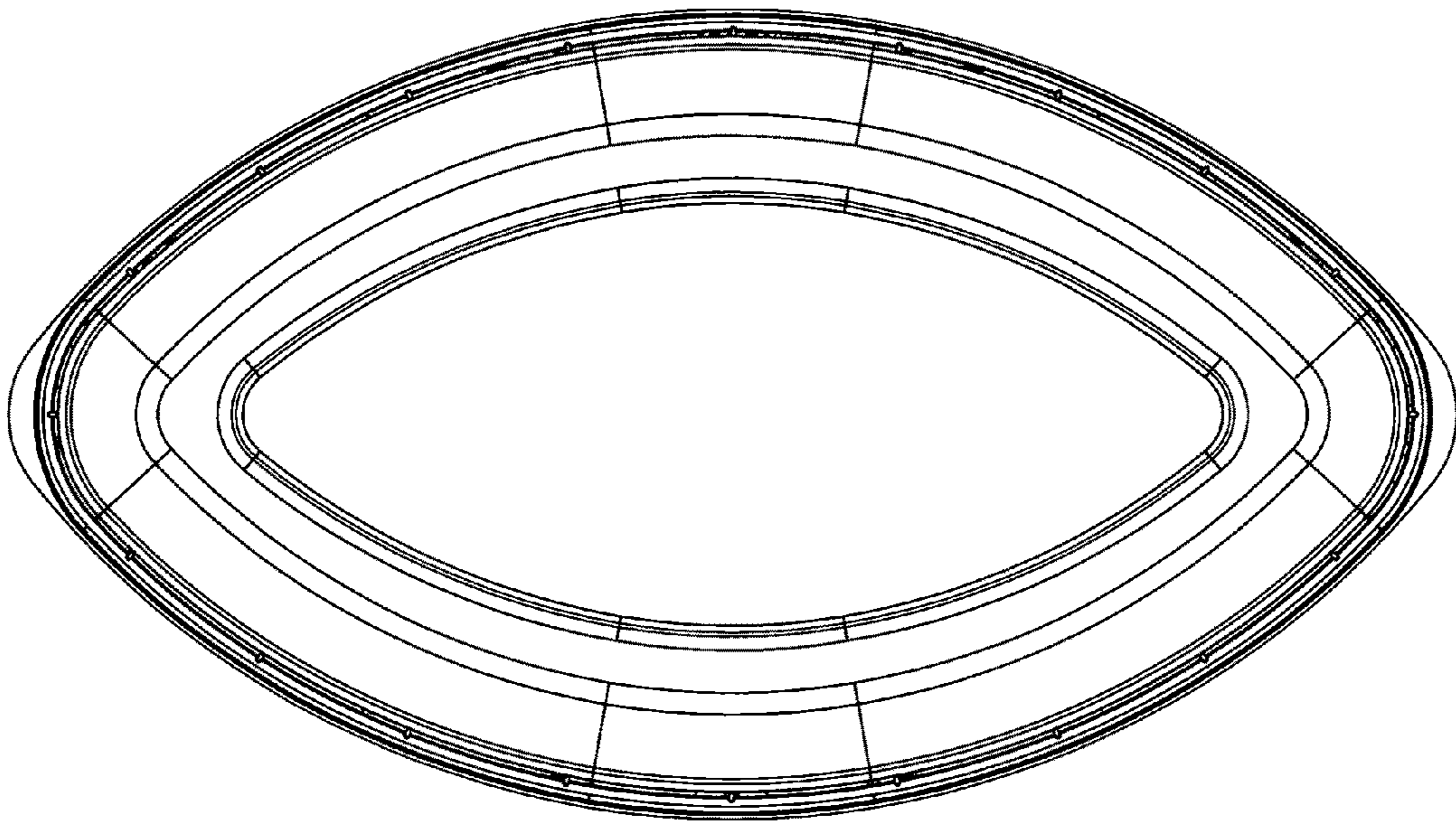


Fig. 9