



US00D755575S

(12) **United States Design Patent**  
**Pratt**

(10) **Patent No.:** **US D755,575 S**

(45) **Date of Patent:** **\*\* May 10, 2016**

(54) **CUP HOLDER**

(71) Applicant: **Ross Gregory Pratt**, Auckland (NZ)

(72) Inventor: **Ross Gregory Pratt**, Auckland (NZ)

(73) Assignee: **Railblaza Limited**

(\*\*) Term: **14 Years**

(21) Appl. No.: **29/501,677**

(22) Filed: **Sep. 8, 2014**

(51) **LOC (10) Cl.** ..... **07-06**

(52) **U.S. Cl.**

USPC ..... **D7/620**

(58) **Field of Classification Search**

USPC ..... D7/619.1-625, 605-608, 701-708;  
D9/444, 455; D12/411

CPC ..... B65D 81/3879; B65D 81/3876; B65D  
81/3881; B65D 81/3883; B65D 81/3886;  
A47G 23/0241

See application file for complete search history.

(56) **References Cited**

U.S. PATENT DOCUMENTS

D369,526 S *	5/1996	Colton	.....	D7/620
D429,968 S *	8/2000	Frankel	.....	D7/608
D604,564 S *	11/2009	Walter	.....	D7/620
D714,594 S *	10/2014	Blandl	.....	D12/419
2010/0294816 A1 *	11/2010	Sentell	.....	A45F 5/02 224/148.3

\* cited by examiner

*Primary Examiner* — Terry Wallace

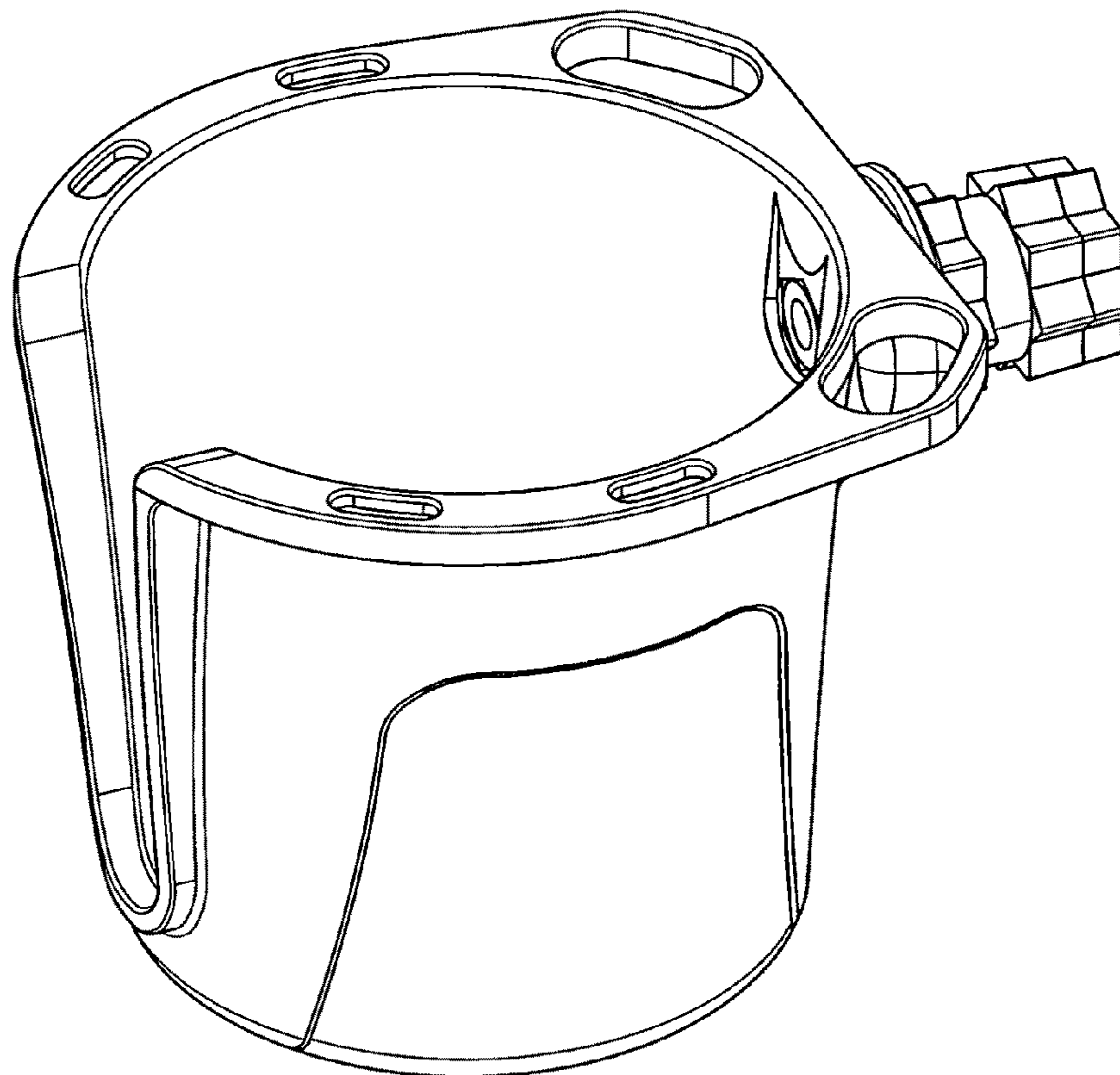
(57) **CLAIM**

I claim the ornamental design for a cup holder, as shown and described.

**DESCRIPTION**

FIG. 1 is a perspective view of a cup holder;  
FIG. 2 is an alternative perspective view of the cup holder;  
FIG. 3 is a top view of the cup holder;  
FIG. 4 is a bottom view of the cup holder;  
FIG. 5 is a side view of the cup holder;  
FIG. 6 is an opposite side view of the cup holder;  
FIG. 7 is a front view of the cup holder; and  
FIG. 8 is rear view of the cup holder.

**1 Claim, 8 Drawing Sheets**



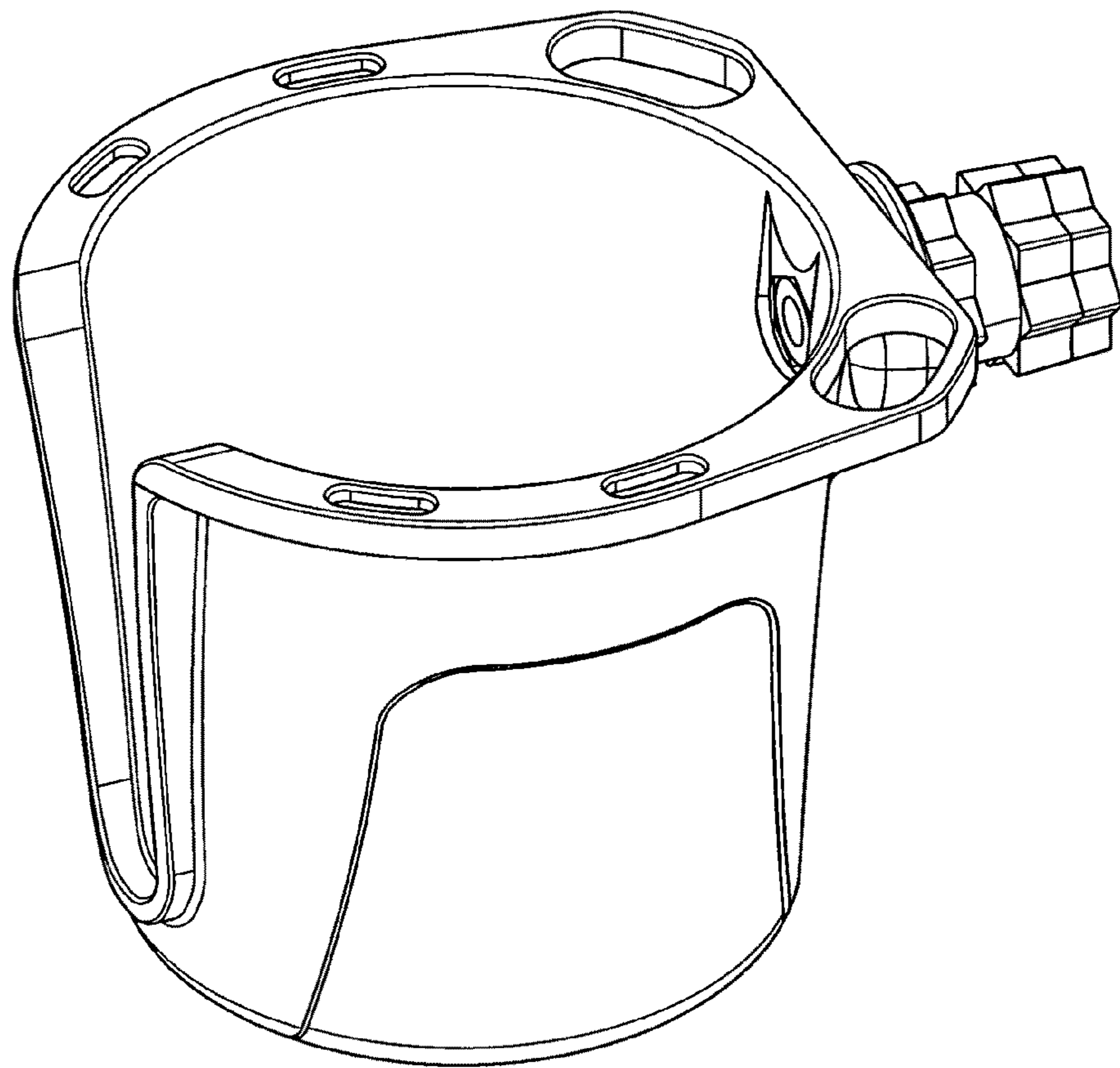


FIG. 1

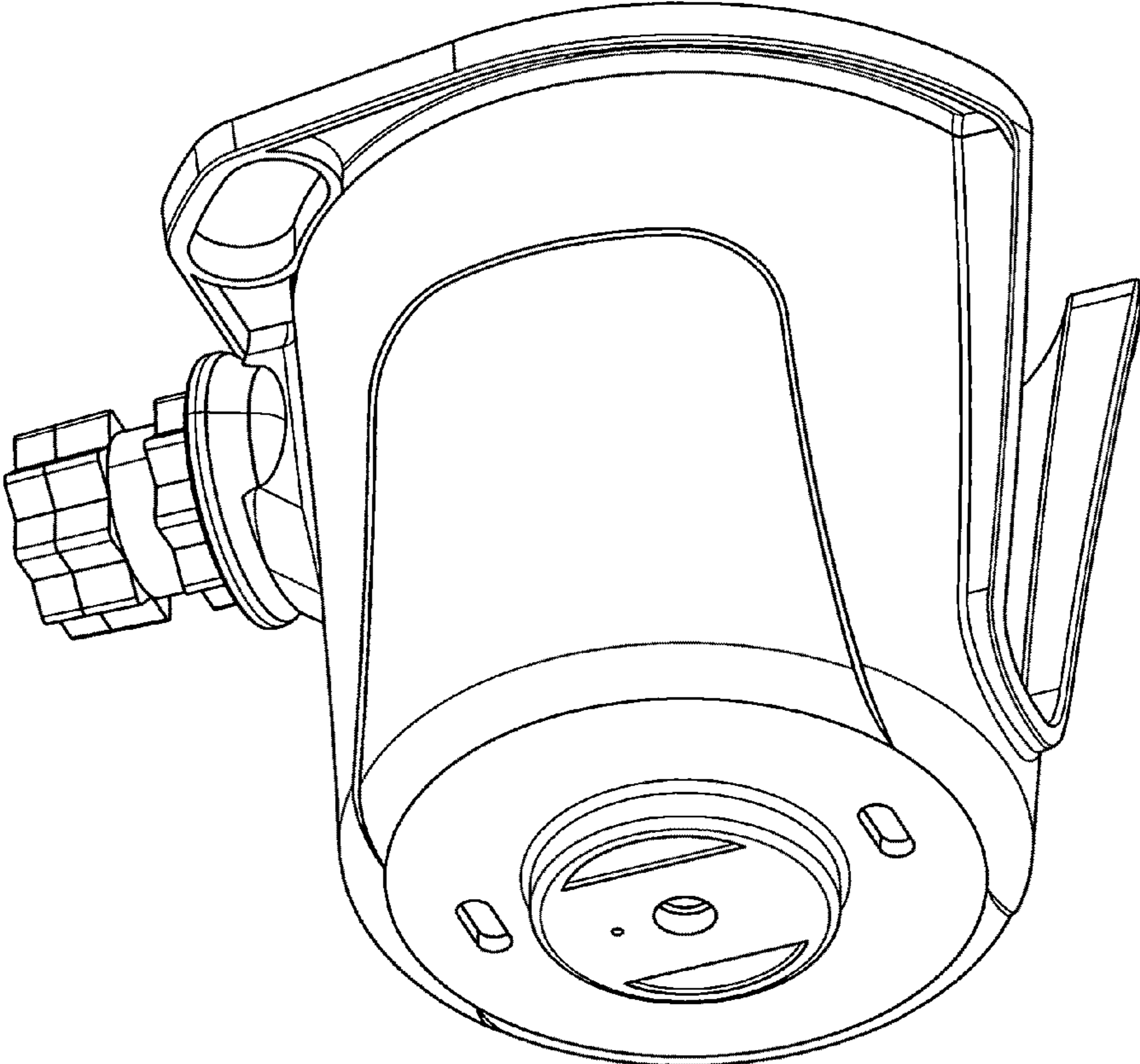


FIG. 2

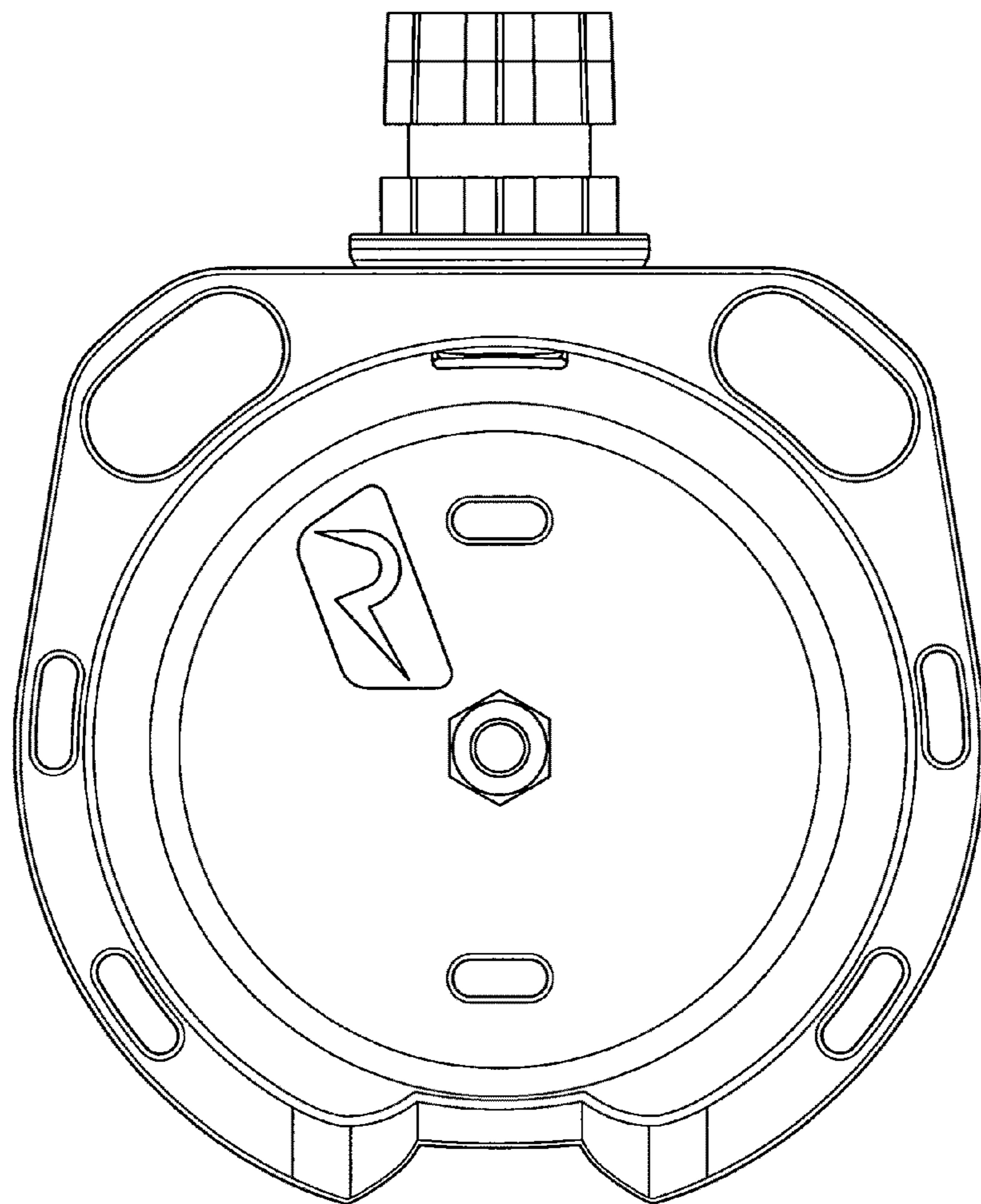


FIG. 3

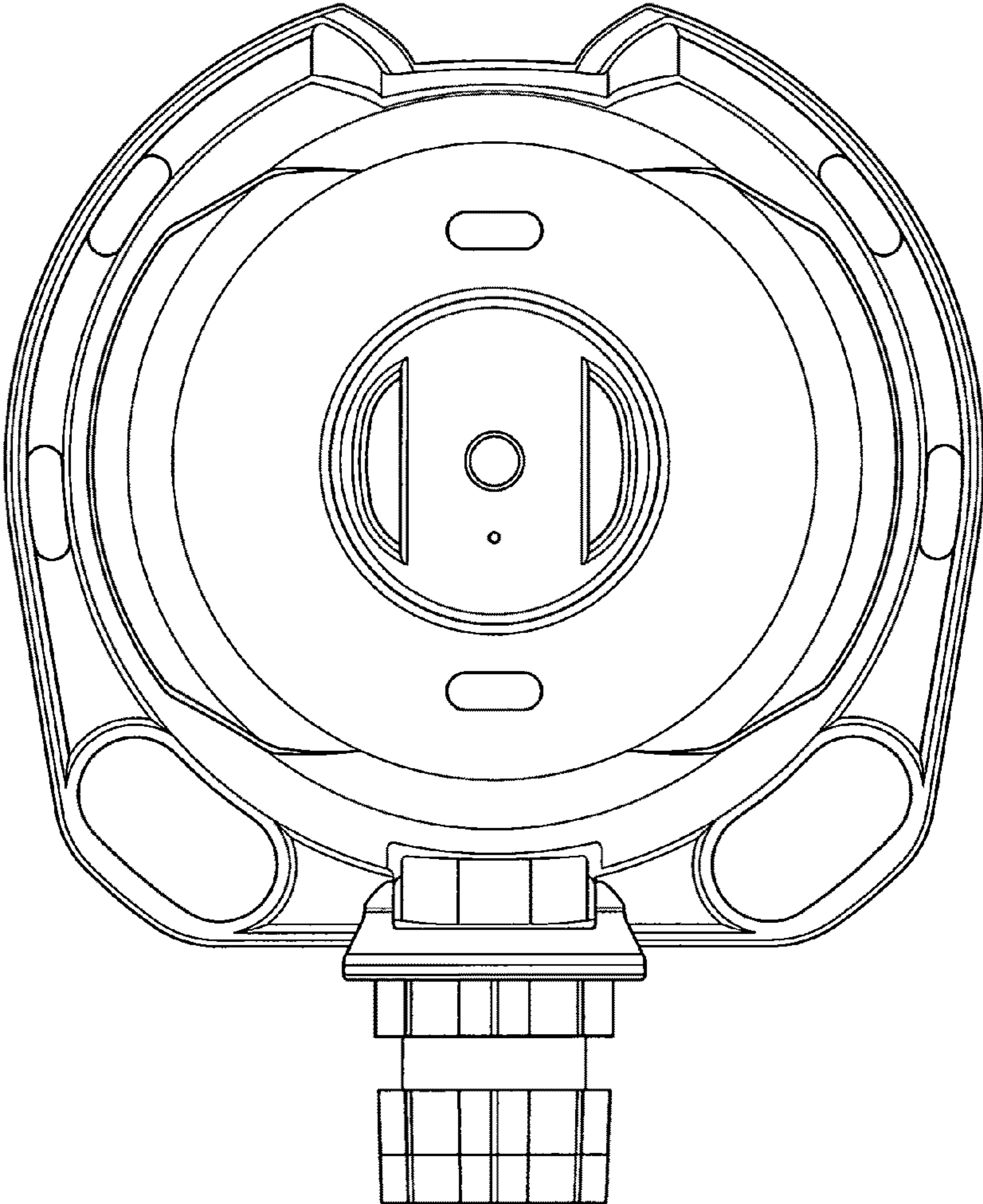


FIG.4

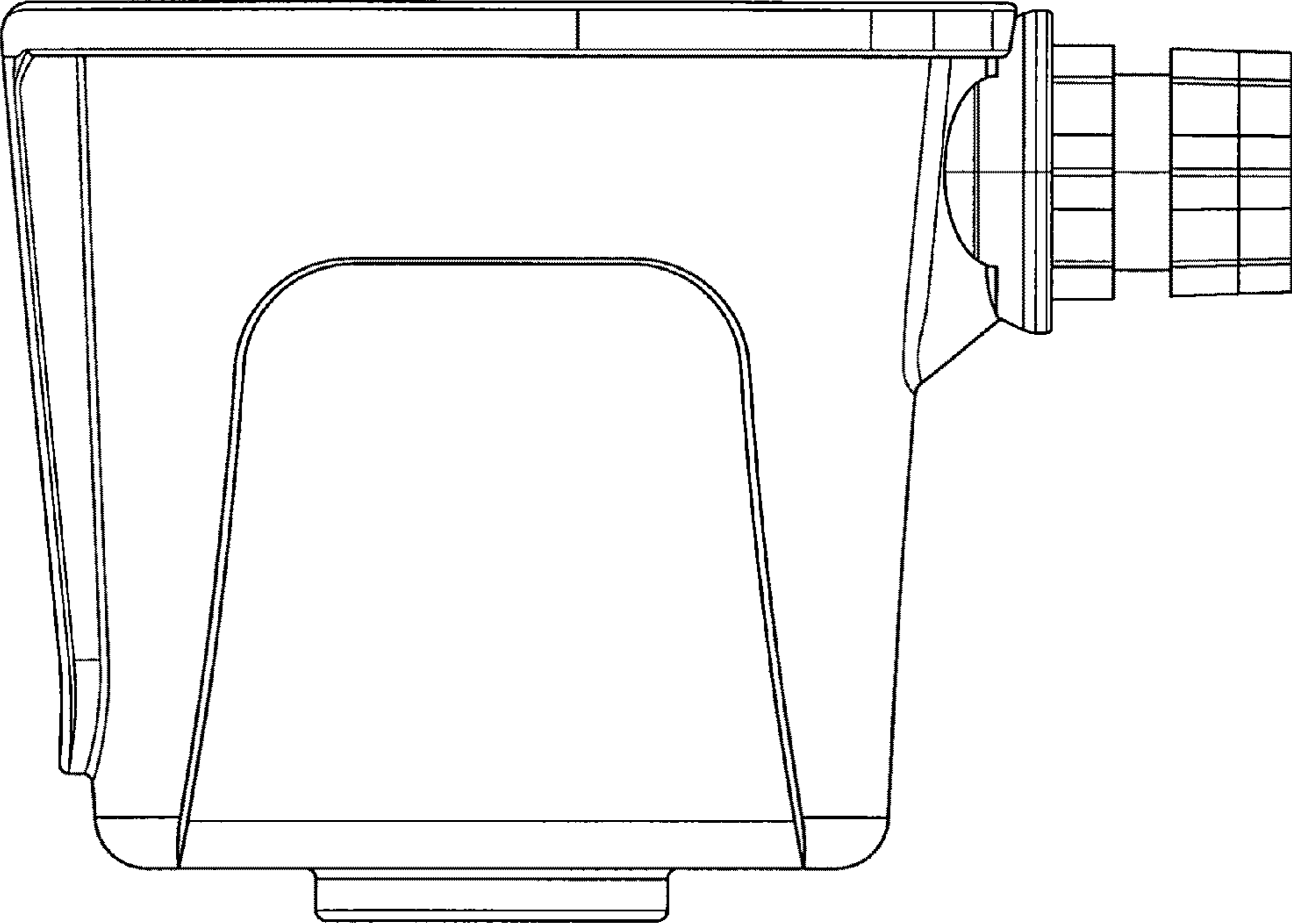


FIG. 5

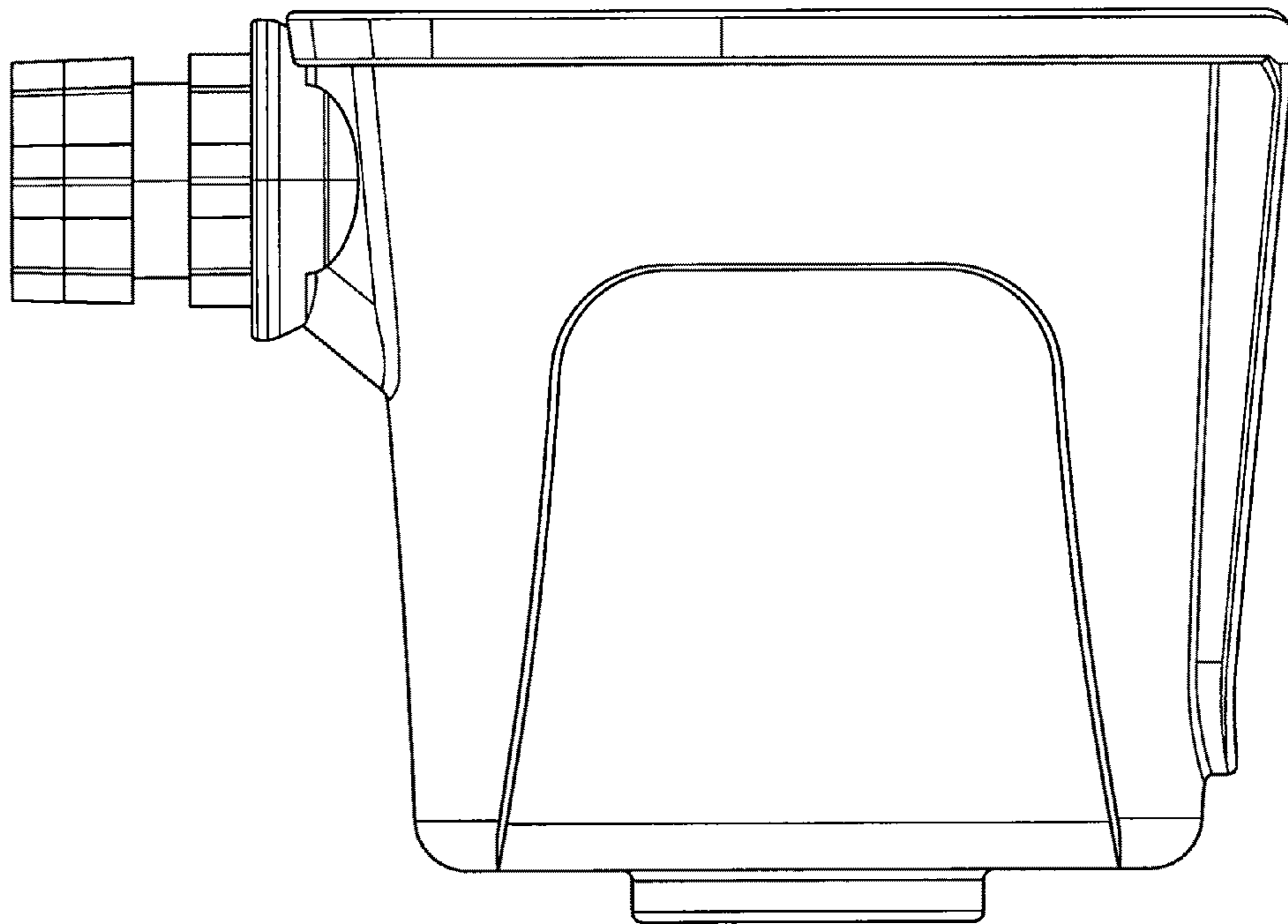


FIG.6

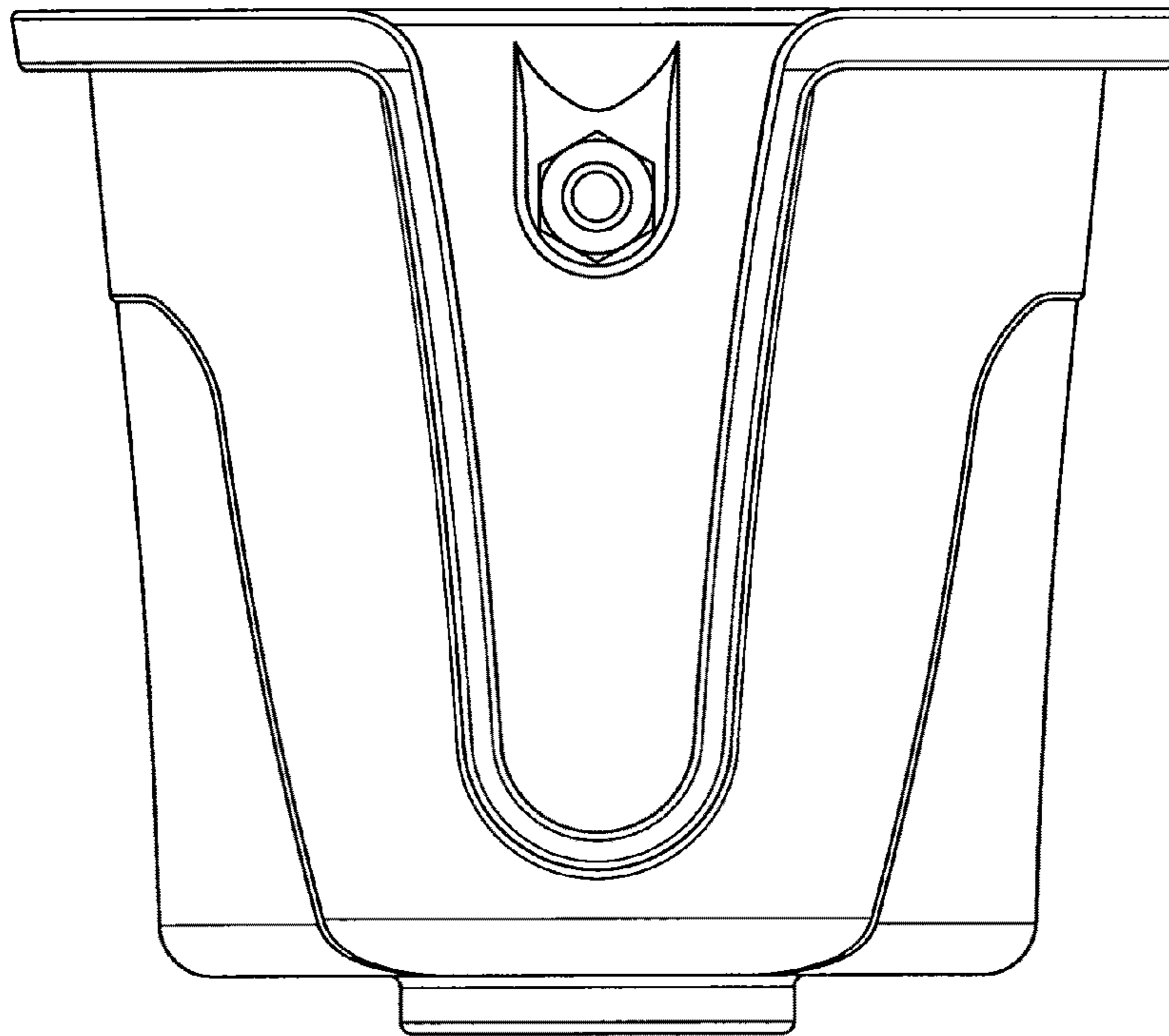


FIG.7



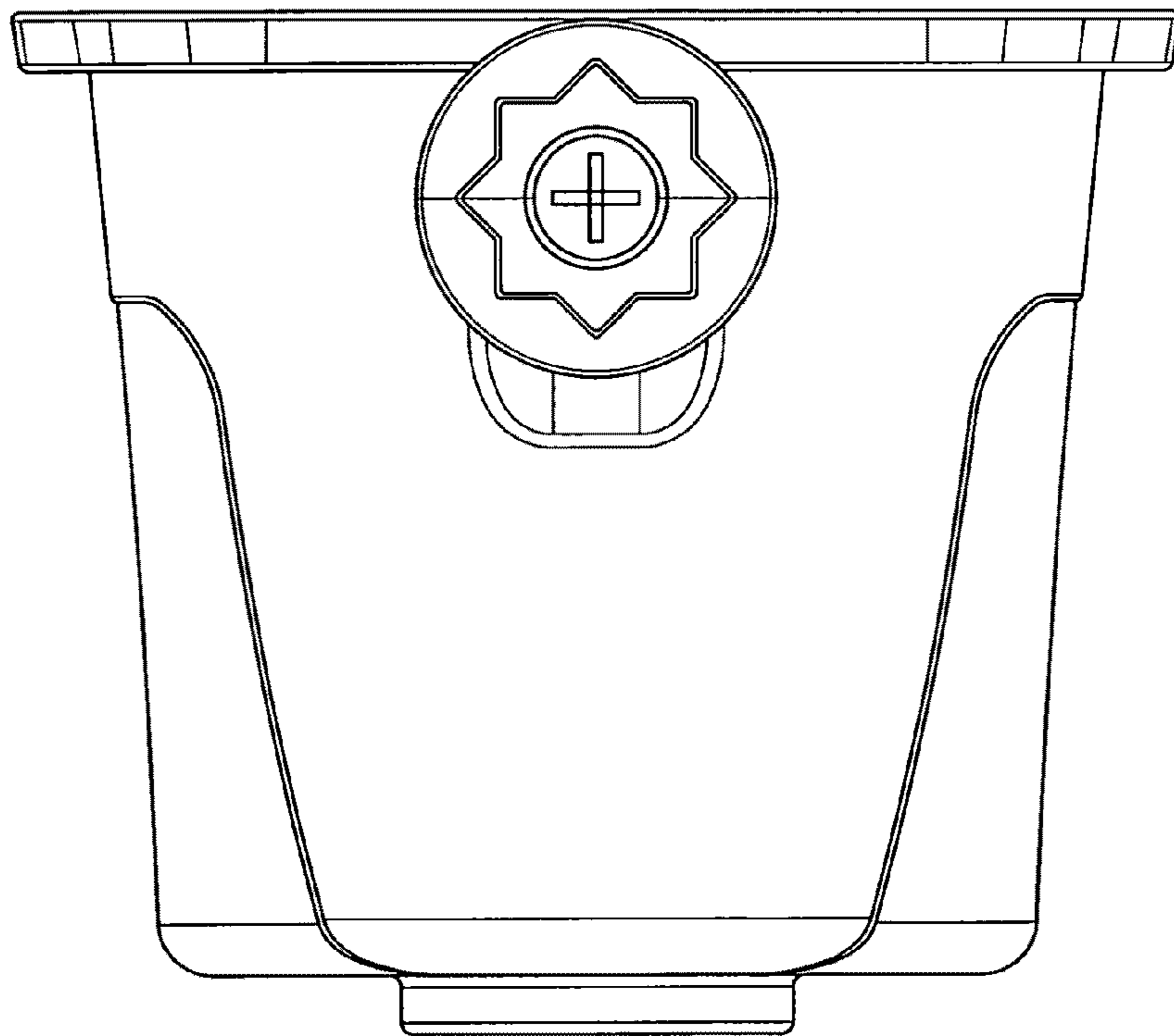


FIG.8