



US00D755573S

(12) **United States Design Patent**
Consolatore

(10) **Patent No.:** **US D755,573 S**

(45) **Date of Patent:** **** May 10, 2016**

(54) **TRAY**

(71) Applicant: **Michael Consolatore**, W. Babylon, NY
(US)

(72) Inventor: **Michael Consolatore**, W. Babylon, NY
(US)

(**) Term: **14 Years**

(21) Appl. No.: **29/460,332**

(22) Filed: **Jul. 10, 2013**

(51) **LOC (10) Cl.** **07-01**

(52) **U.S. Cl.**
USPC **D7/551.1**

(58) **Field of Classification Search**
USPC D7/551.1, 553.1, 553.3, 553.7, 554.3,
D7/554.4, 556, 566, 571, 587; D3/202,
D3/204, 229; 220/574; 229/114, 123.1
CPC B65D 1/34; B65D 21/00; B65D 21/0204
See application file for complete search history.

(56) **References Cited**

U.S. PATENT DOCUMENTS

D57,968 S *	5/1921	Goodale	D7/543
D141,503 S *	6/1945	Preis	D7/552.1
D192,526 S *	4/1962	Hyatt et al.	D7/587
3,134,484 A *	5/1964	Cox et al.	206/778
D252,938 S *	9/1979	Binderup	D21/780
D284,824 S *	7/1986	Marshall	D7/553.8
D318,198 S *	7/1991	Francetic	D6/470
D322,758 S *	12/1991	Haire	D9/430
D338,595 S	8/1993	Cafarella et al.		
D338,596 S	8/1993	Cafarella et al.		
D339,259 S *	9/1993	Kocon	D6/552
D346,520 S *	5/1994	Barfield	D6/552
D363,184 S *	10/1995	Elhage	D6/552

D363,193 S *	10/1995	Rostkowski, Jr.	D7/556
D366,798 S *	2/1996	Messersmith	D6/571
D386,925 S *	12/1997	Hogan	D6/552
6,016,910 A *	1/2000	Rodearmel	206/315.9
D425,352 S *	5/2000	Paskan	D6/552
D430,755 S *	9/2000	Simmons	D6/470
D431,950 S *	10/2000	Richardson	D6/552
D462,091 S *	8/2002	Lowder	D19/90
D462,832 S *	9/2002	Lowder	D3/207
D478,953 S *	8/2003	Nobriga	D21/780
D479,077 S *	9/2003	Ginsburg	D6/552
D528,180 S *	9/2006	Rathbun	D21/780
D534,094 S *	12/2006	Trainor et al.	D11/81
D534,232 S *	12/2006	Rathbun	D21/780
7,207,635 B2 *	4/2007	Simmons	312/125
D543,758 S *	6/2007	Olivera	D6/552
D653,502 S *	2/2012	Mitchell	D7/587
D675,820 S *	2/2013	Campanella et al.	D3/238
D678,728 S *	3/2013	Stevens	D7/551.1
D720,559 S *	1/2015	Pitti	D6/661

* cited by examiner

Primary Examiner — Kelley Donnelly

(74) *Attorney, Agent, or Firm* — Richard L. Miller

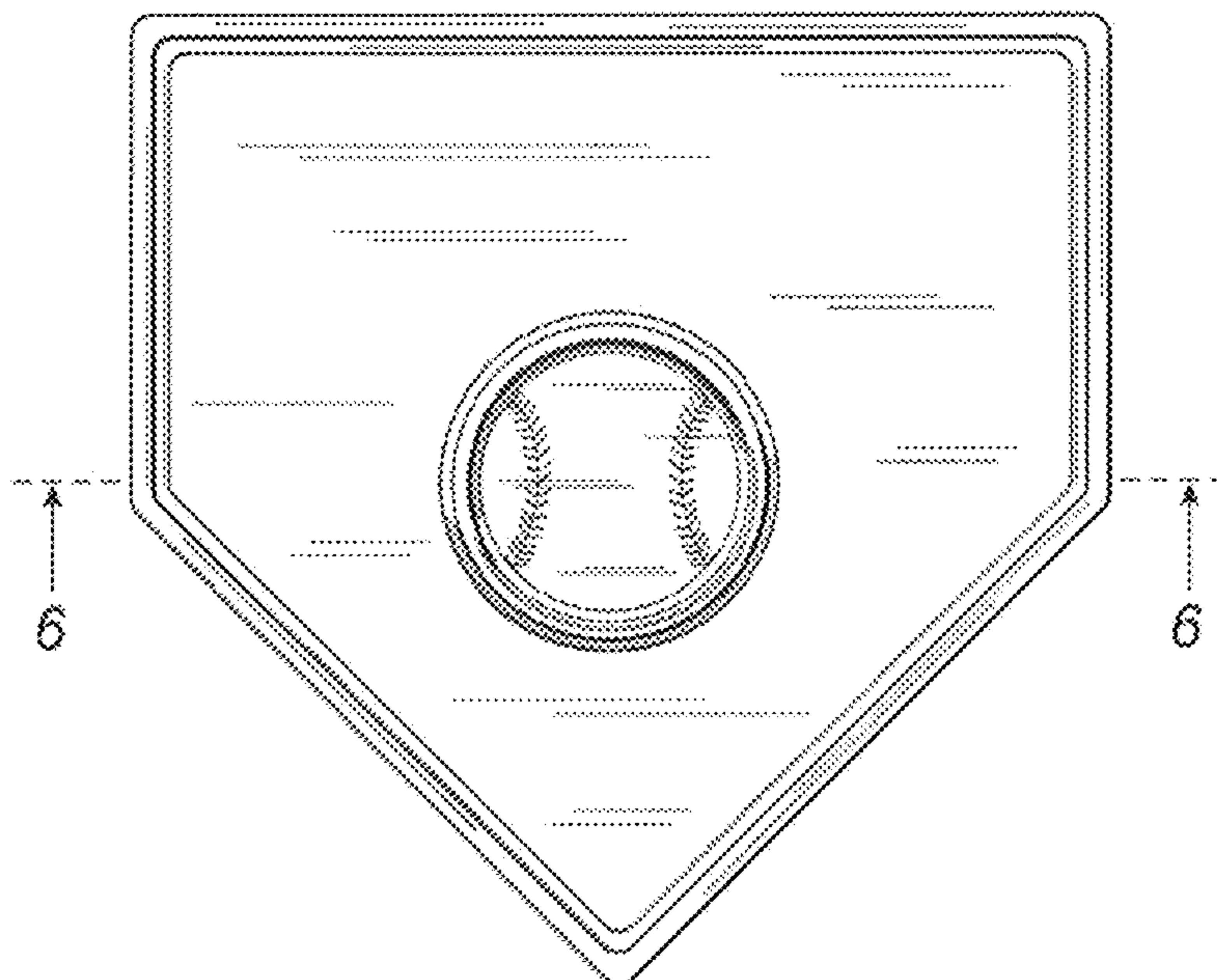
(57) **CLAIM**

The ornamental design for a tray, as shown and described.

DESCRIPTION

FIG. 1 is a top plan view of a tray showing an embodiment of my new design;
FIG. 2 is a rear elevational view;
FIG. 3 is a front elevational view thereof;
FIG. 4 is a left side elevational view thereof it being understood that a right side elevational view is a mirror image thereof;
FIG. 5 is a bottom plan view thereof; and,
FIG. 6 is a cross sectional view taken on line 6-6 in FIG. 1.

1 Claim, 2 Drawing Sheets



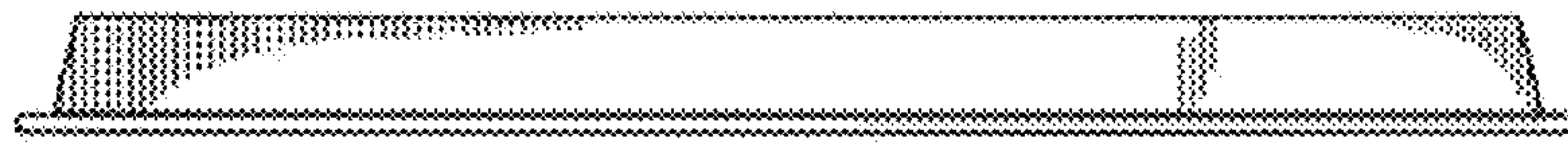


Fig 2

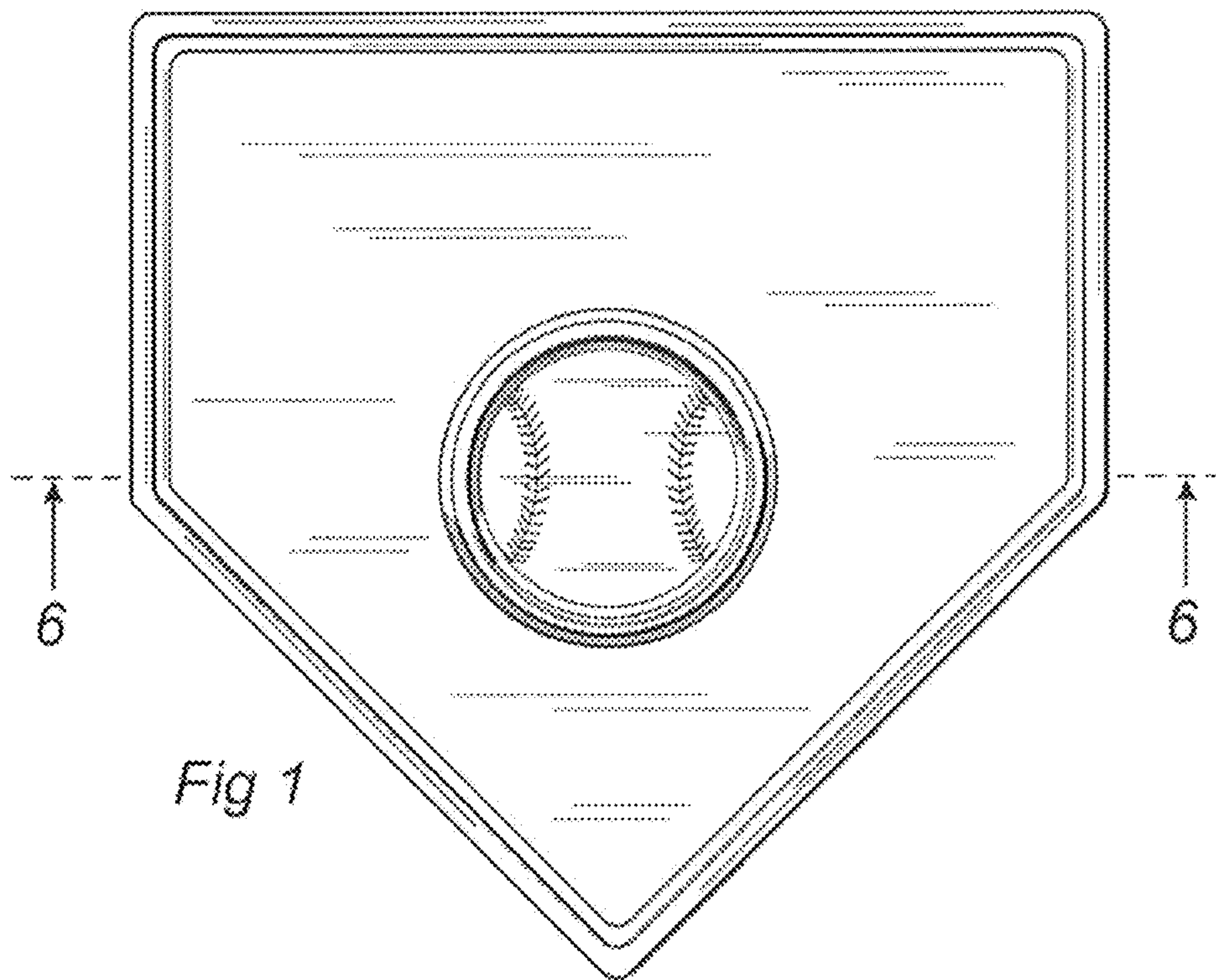


Fig 1



Fig 4



Fig 3

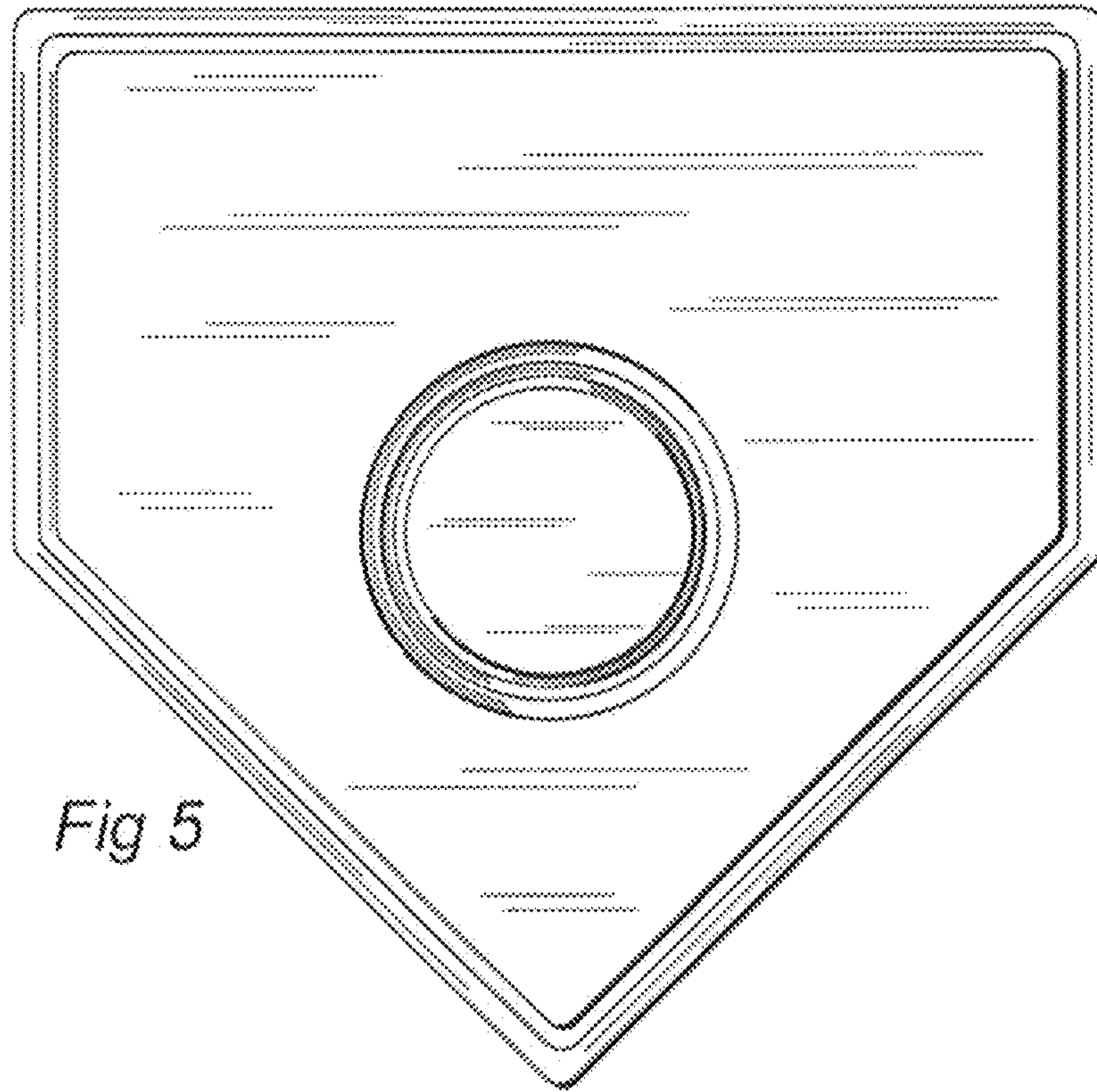


Fig 5

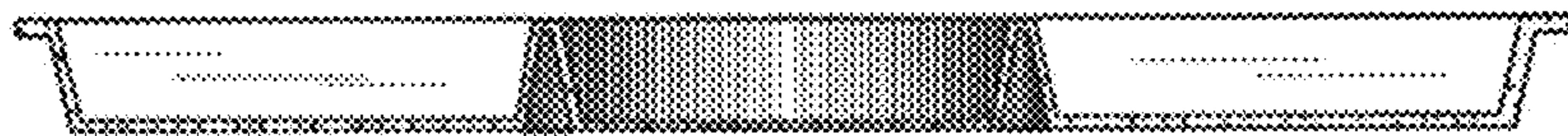


Fig 6