



US00D755569S

(12) **United States Design Patent**
Parker et al.

(10) **Patent No.:** **US D755,569 S**
(45) **Date of Patent:** **** May 10, 2016**

(54) **TUMBLER**

- (71) Applicant: **Jackel International Limited**,
Northumberland (GB)
- (72) Inventors: **Richard Parker**, Newcastle Upon Tyne
(GB); **Peter Angus**, Newcastle Upon
Tyne (GB); **Matthew O'Brien**,
Newcastle Upon Tyne (GB); **James Roe**,
Glossop (GB); **Jason Roebuck**, Glossop
(GB)
- (73) Assignee: **Jackel International Limited**,
Cramlington, Northumberland (GB)
- (**) Term: **14 Years**
- (21) Appl. No.: **29/516,586**
- (22) Filed: **Feb. 4, 2015**

(30) **Foreign Application Priority Data**

Aug. 4, 2014 (EM) 001419139-0019

(51) **LOC (10) Cl.** **07-01**

(52) **U.S. Cl.**
USPC **D7/510; D7/511**

(58) **Field of Classification Search**
USPC D7/509-516, 523, 533, 534, 535, 326,
D7/543, 548, 300, 312, 314, 316, 318, 319,
D7/320, 598, 589, 396.2, 507, 529, 300.2,
D7/608; 215/229; D24/197, 198, 199;
220/703, 714, 710, 710.5, 212.5;
D9/440, 436, 447, 530, 526, 554, 540
CPC A47G 19/22; A47G 19/2266; A47G
19/2272; A61J 9/00; A61J 9/06; A61J 9/08;
A61J 9/085

See application file for complete search history.

(56) **References Cited**

U.S. PATENT DOCUMENTS

6,073,788	A *	6/2000	Stroud	A61J 9/08 215/11.1
D464,434	S *	10/2002	Morano	D24/197
D499,490	S *	12/2004	Conaway	D24/197
D501,361	S *	2/2005	Tollman	D7/510
D609,527	S *	2/2010	Roehrig	D24/197
D609,528	S *	2/2010	Roehrig	D7/510
D620,366	S *	7/2010	Bruscha	D9/444
D634,439	S *	3/2011	Hakim	D24/193
D642,434	S *	8/2011	Schofield	D24/197
D642,435	S *	8/2011	Schofield	D24/197
D642,437	S *	8/2011	Schofield	D24/197
D642,438	S *	8/2011	Schofield	D24/197
D650,233	S *	12/2011	Roehrig	D24/197
D683,589	S *	6/2013	Itzek	D7/510
8,678,228	B2 *	3/2014	Steininger	B65D 47/50 215/11.1
D716,461	S *	10/2014	Lau	D24/197
D724,383	S *	3/2015	May	D7/510
2015/0223623	A1 *	8/2015	Davis	A47G 19/2272 220/714

* cited by examiner

Primary Examiner — Marianne Pandozzi

Assistant Examiner — Jae Liang

(74) *Attorney, Agent, or Firm* — Olson & Cepuritis, Ltd.

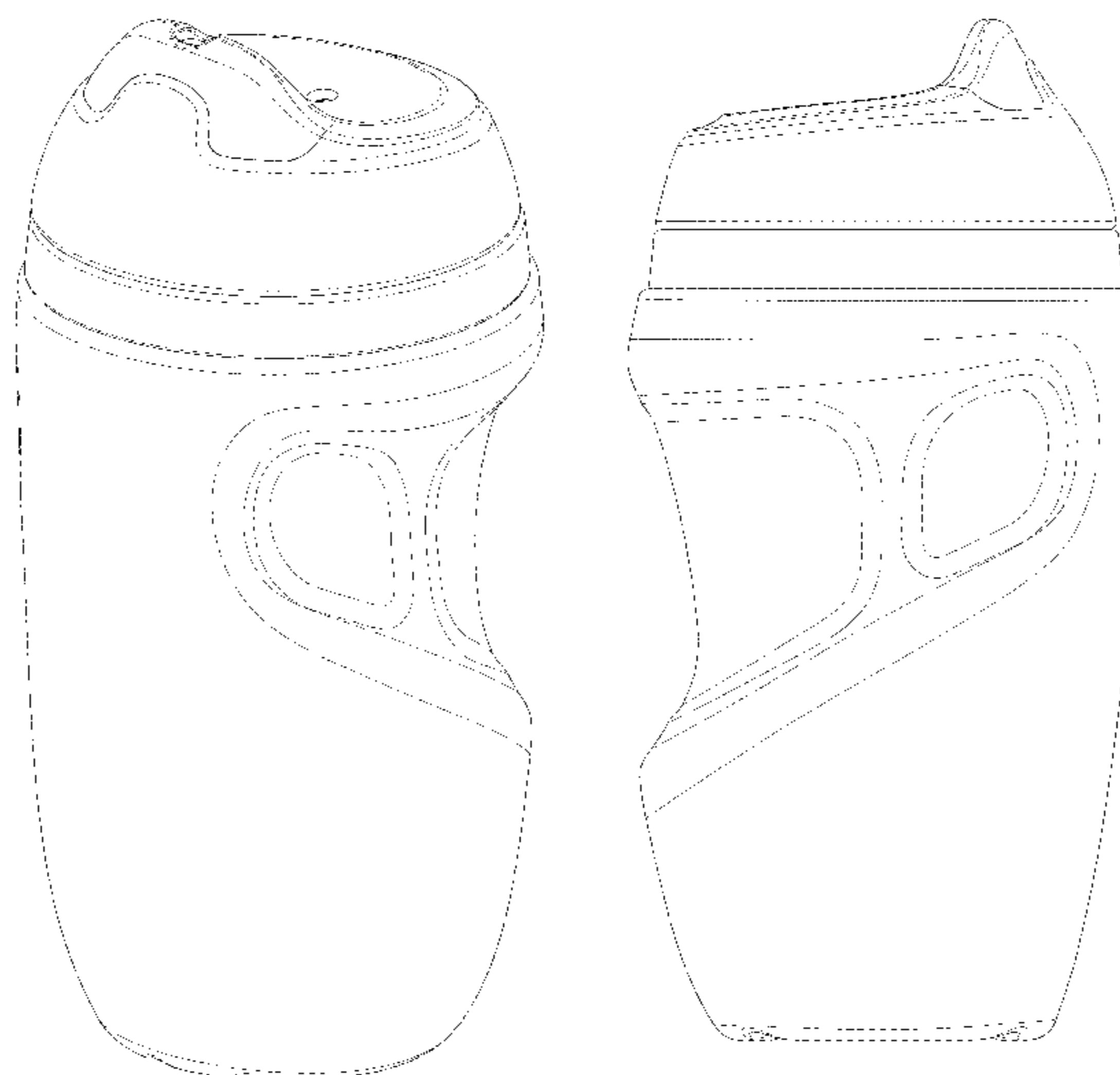
(57) **CLAIM**

The ornamental design for a tumbler, as shown and described.

DESCRIPTION

FIG. 1 is a front perspective view of a tumbler showing our new design;
FIG. 2 is a rear perspective view thereof;
FIG. 3 is a front elevational view thereof;
FIG. 4 is a rear elevational view thereof;
FIG. 5 is a right side elevational view thereof; left side elevational view being a mirror image thereof;
FIG. 6 is a top plan view thereof; and,
FIG. 7 is a bottom plan view thereof.

1 Claim, 7 Drawing Sheets



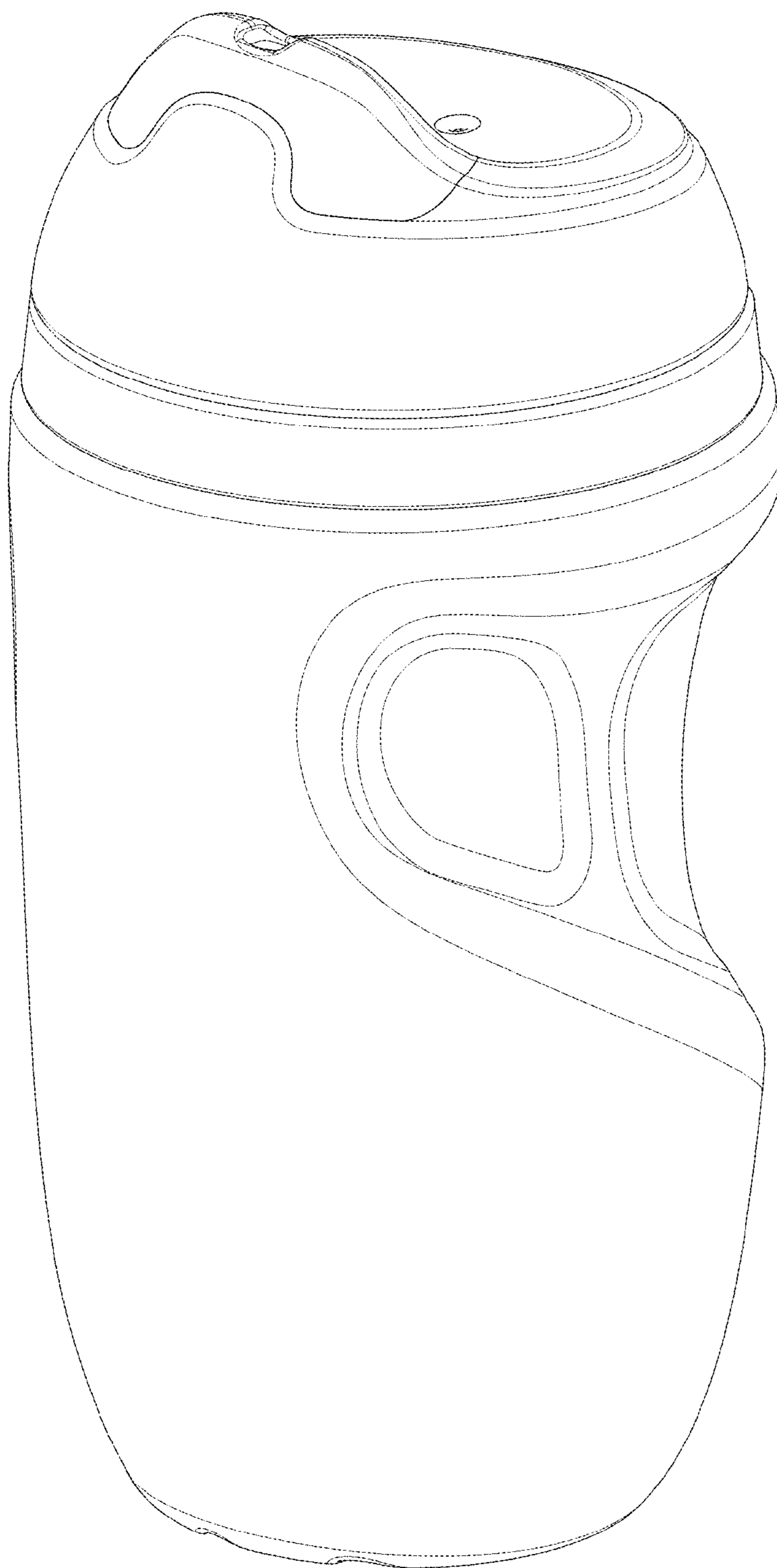


FIG. 1

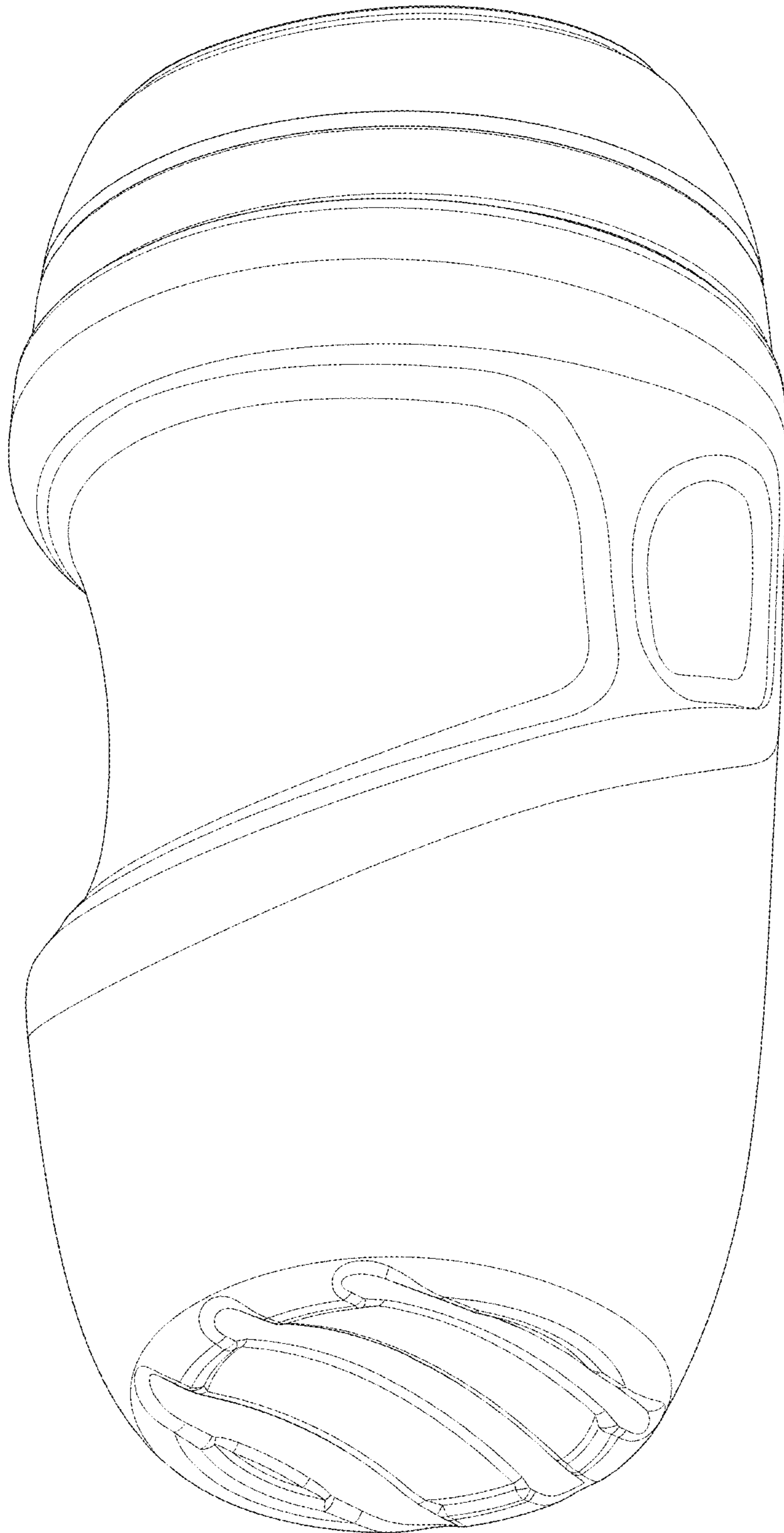


FIG. 2

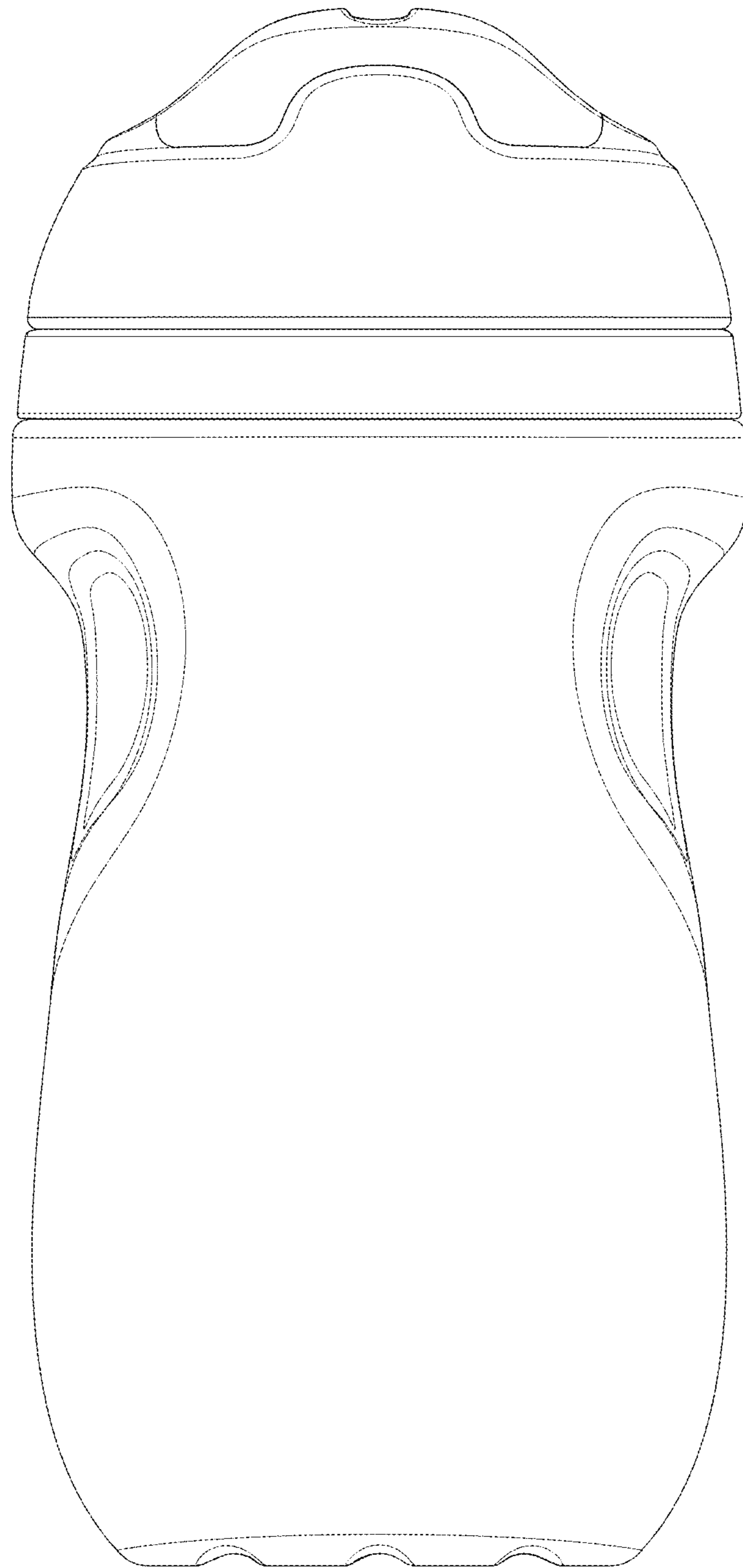


FIG. 3

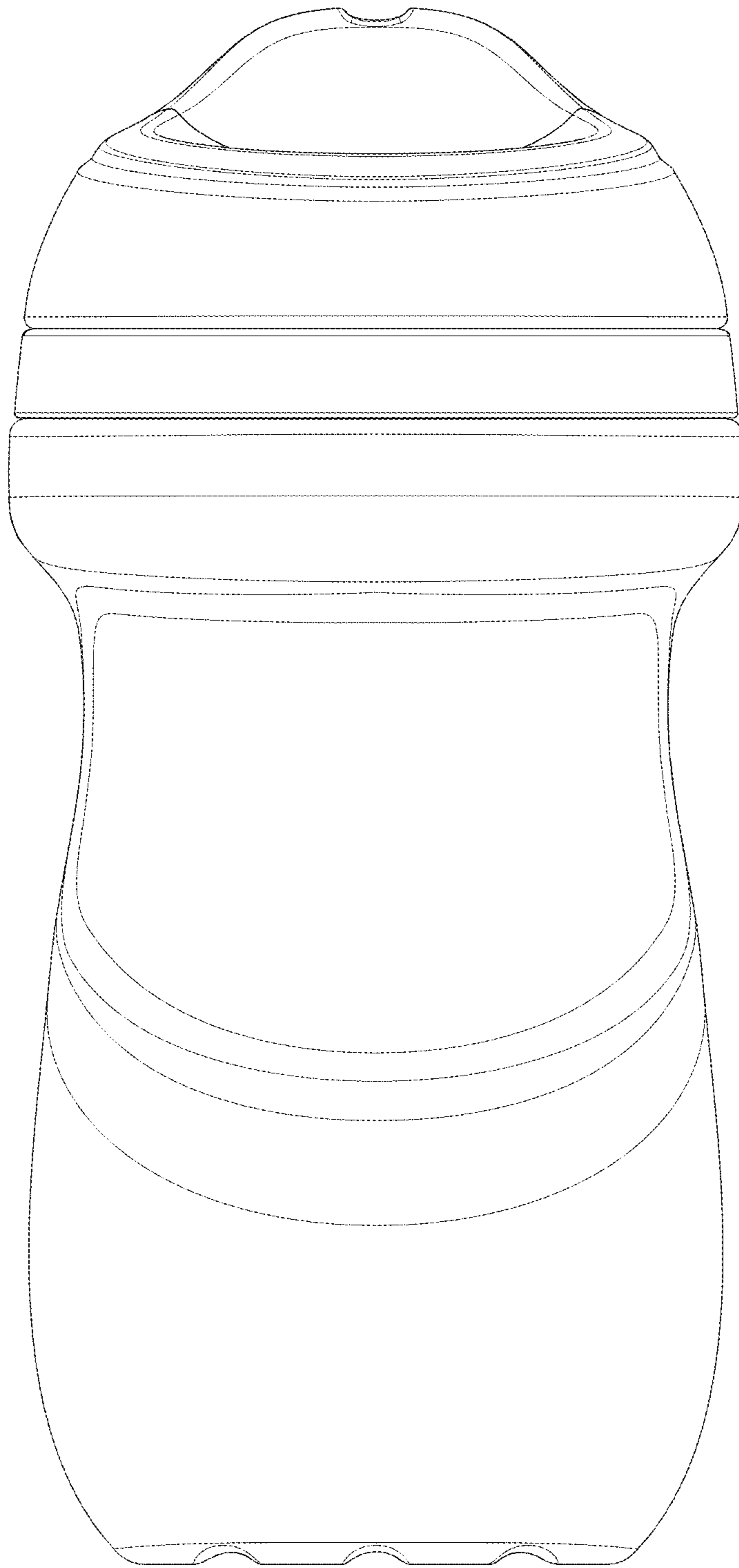


FIG. 4

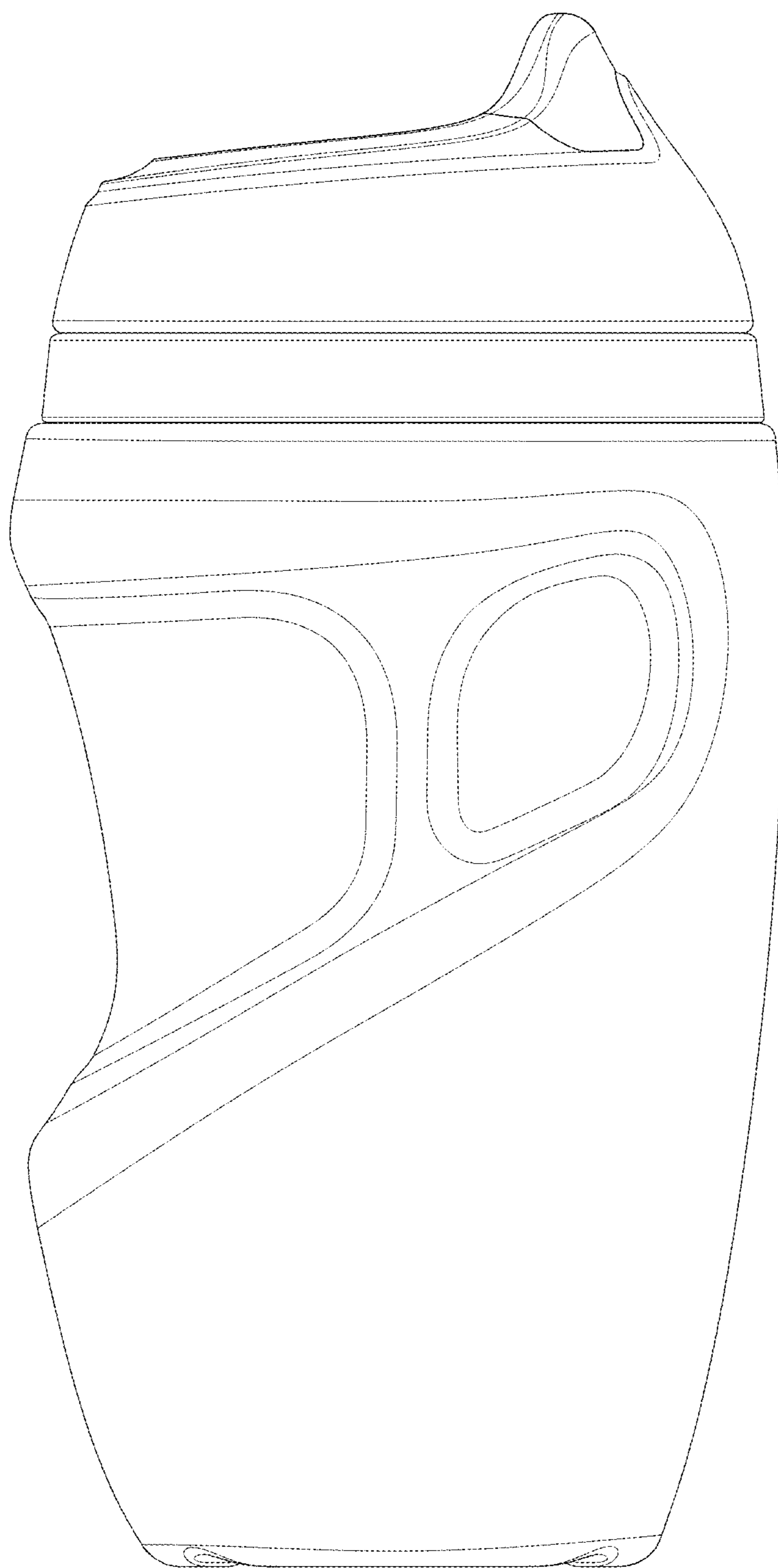


FIG. 5

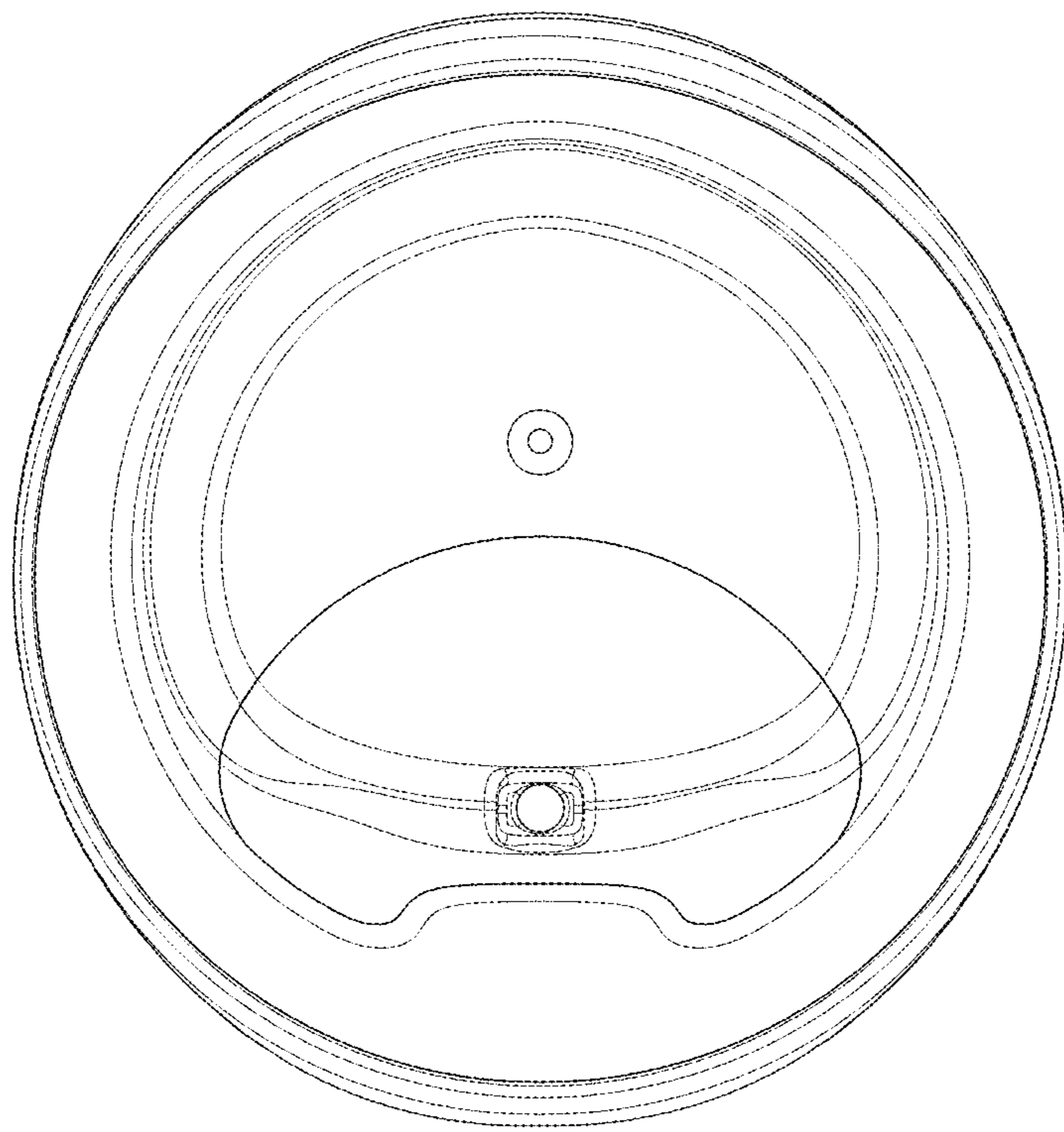


FIG. 6

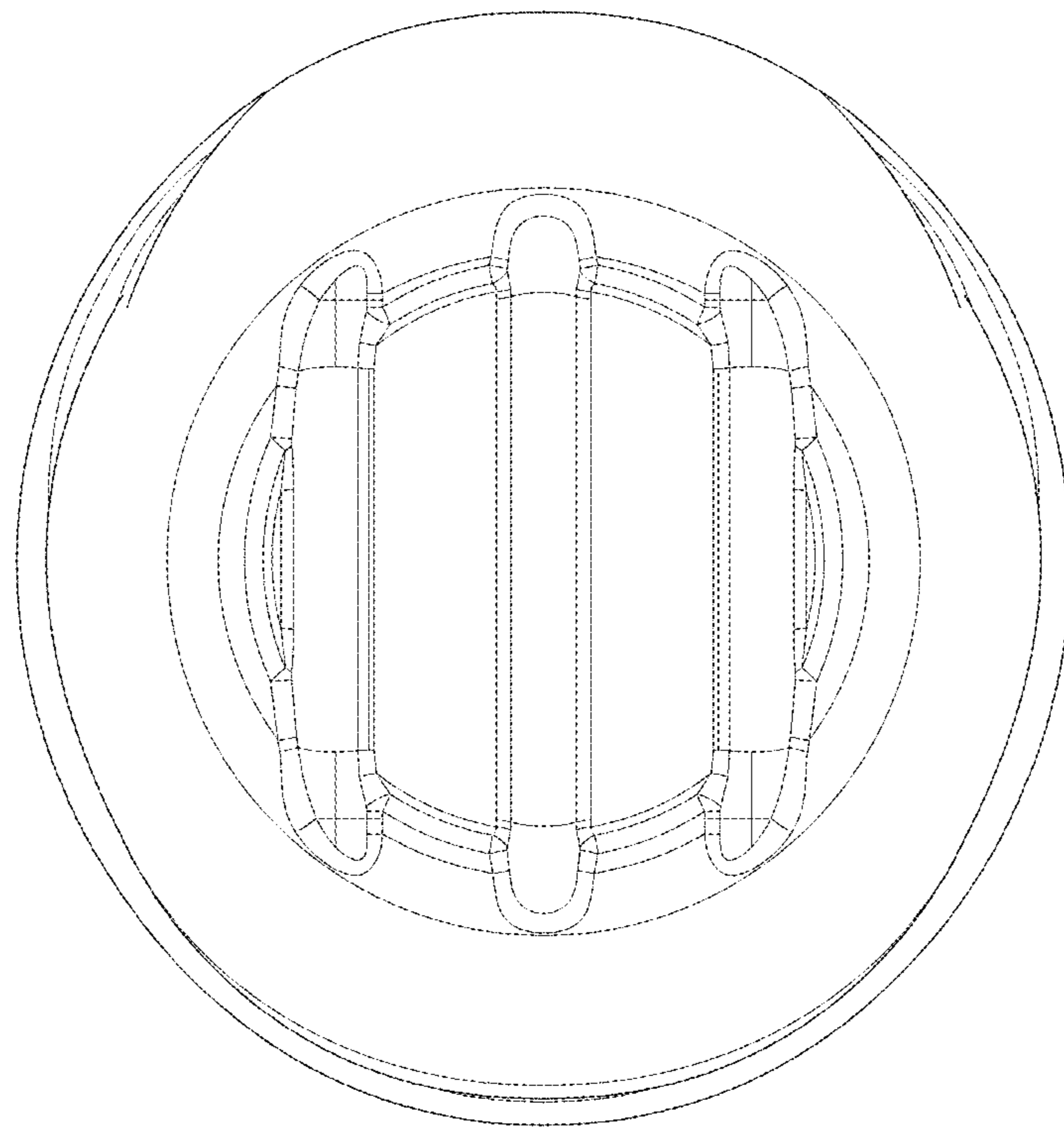


FIG. 7