



US00D755567S

(12) **United States Design Patent**
Tu et al.

(10) **Patent No.:** **US D755,567 S**
(45) **Date of Patent:** **** May 10, 2016**

(54) **BLENDER CONTAINER**

(56) **References Cited**

(71) Applicant: **SharkNinja Operating LLC**, Newton, MA (US)

(72) Inventors: **Joyce Tu**, Arlington, MA (US); **Cory Smith**, Newton, MA (US)

(73) Assignee: **SharkNinja Operating LLC**, Newton, MA (US)

(**) Term: **14 Years**

(21) Appl. No.: **29/512,374**

(22) Filed: **Dec. 18, 2014**

(51) **LOC (10) Cl.** **31-00**

(52) **U.S. Cl.**
USPC **D7/413; D7/376; D7/378; D7/412**

(58) **Field of Classification Search**
USPC **D7/372, 376-386, 412-413, 602, 629, D7/665-666, 669, 679, 693-694**
CPC **A21C 1/02; A21C 1/04; A23N 1/00; A23N 1/02; A47J 43/04; A47J 43/25; A47J 43/27; A47J 43/042; A47J 43/044; A47J 43/046; A47J 43/075; A47J 43/0722; A47J 43/0727; B01F 3/00; B01F 3/0807; B01F 3/0853; B01F 13/0059; B01F 13/0064; B02C 1/08; B02C 2/04; B02C 4/42; B02C 4/142; B02C 4/143; B02C 4/423; B02C 13/1835; B28C 5/10; B28C 5/12; B28C 5/14; B28C 5/16**

See application file for complete search history.

U.S. PATENT DOCUMENTS

D373,504 S *	9/1996	Leverrier	D7/378
D453,443 S *	2/2002	Hoare	D7/378
D465,127 S *	11/2002	Lee	D7/378
D571,144 S *	6/2008	Nikkhah	D7/378
D637,863 S *	5/2011	Wu	D7/376
D638,665 S *	5/2011	Wu	D7/378
D651,040 S *	12/2011	Moon	D7/376
D659,469 S *	5/2012	Hoare	D7/376
D661,548 S *	6/2012	Brinckerhoff	D7/376
D678,726 S *	3/2013	Palermo	D7/376
D679,543 S *	4/2013	Repac	D7/376
D702,999 S *	4/2014	Audette	D7/376
D738,685 S *	9/2015	Sands	D7/376

* cited by examiner

Primary Examiner — Ricky Pham

(74) *Attorney, Agent, or Firm* — Cantor Colburn LLP

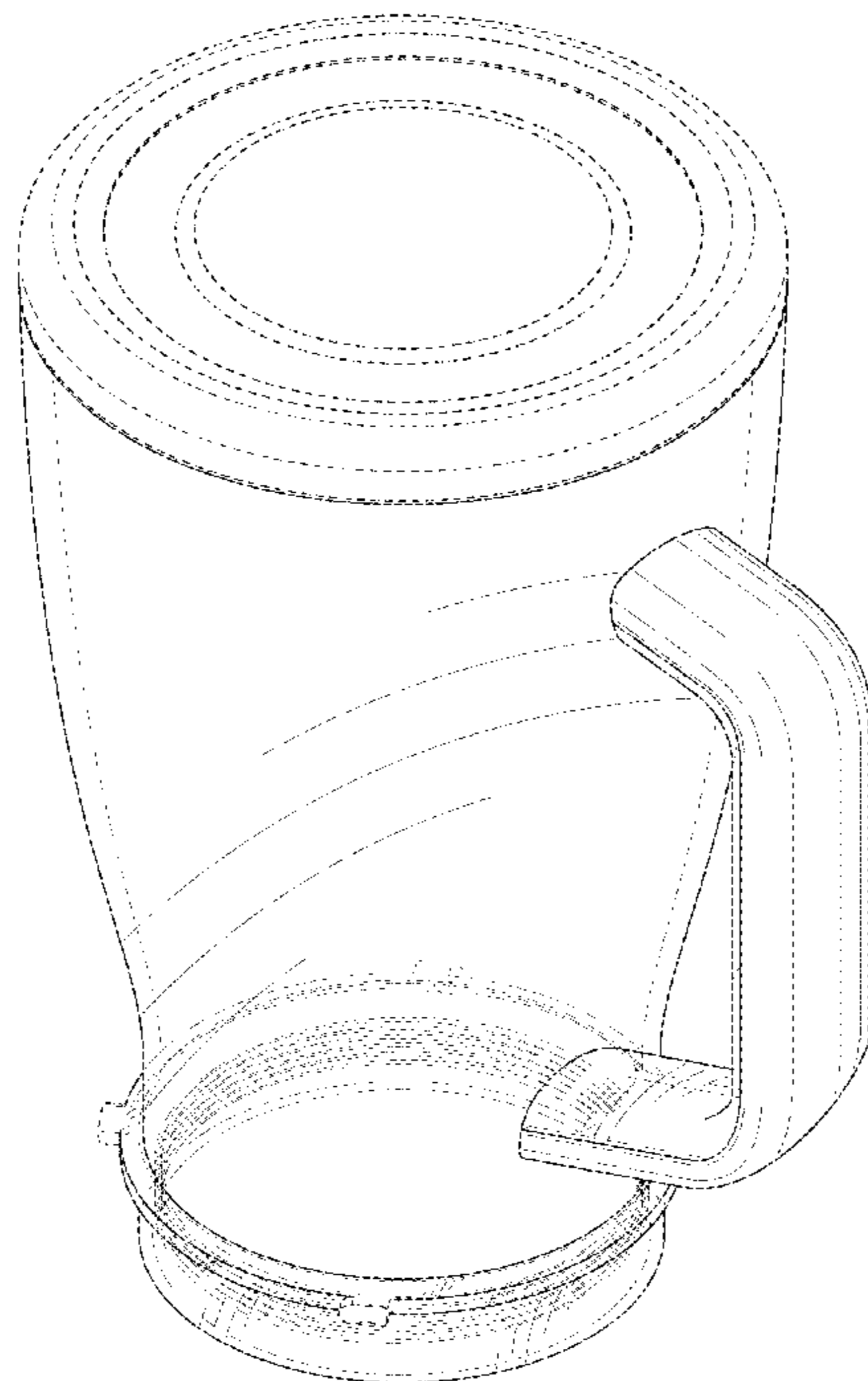
(57) **CLAIM**

The ornamental design for a blender container, as shown and described.

DESCRIPTION

FIG. 1 is a perspective view of an embodiment of a blender container showing our new design; FIG. 2 is a front elevational view thereof; FIG. 3 is a rear elevational view thereof; FIG. 4 is a left side elevational view thereof; FIG. 5 is a right side elevational view thereof; FIG. 6 is a top plan view thereof; and, FIG. 7 is a bottom plan view thereof. The broken lines in the drawings are for illustrative purposes only and form no part of the claimed design.

1 Claim, 7 Drawing Sheets



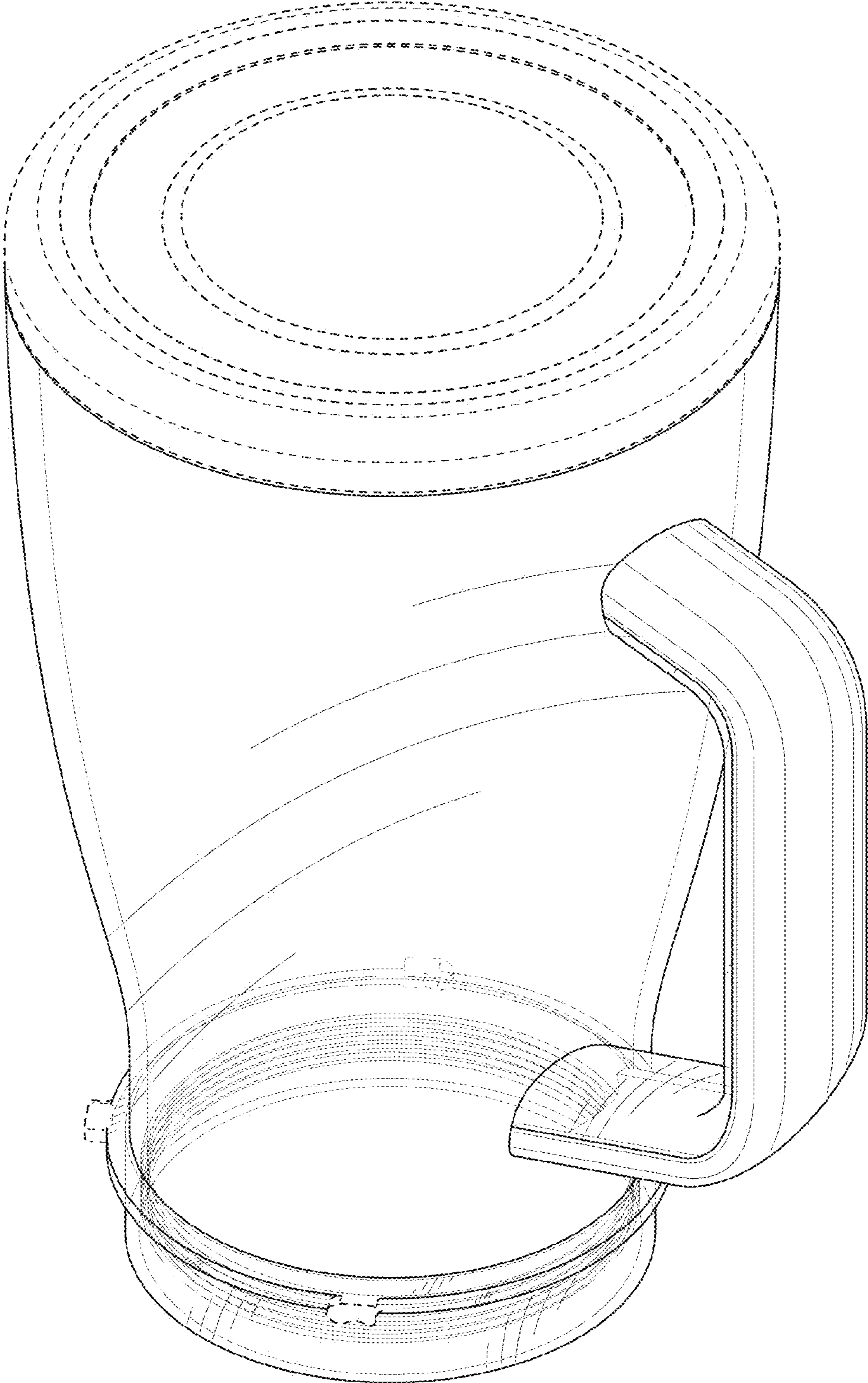


FIG. 1

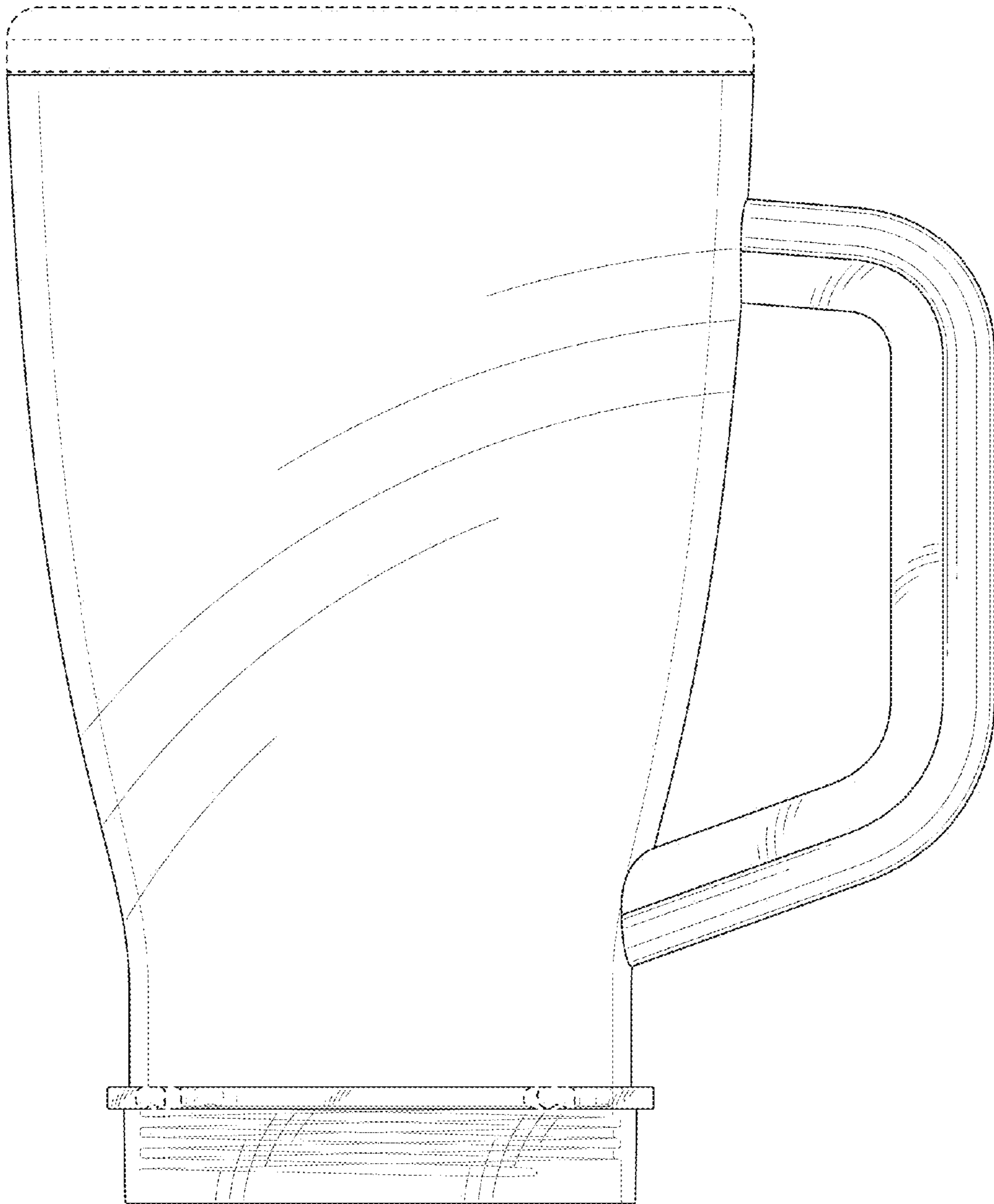


FIG. 2

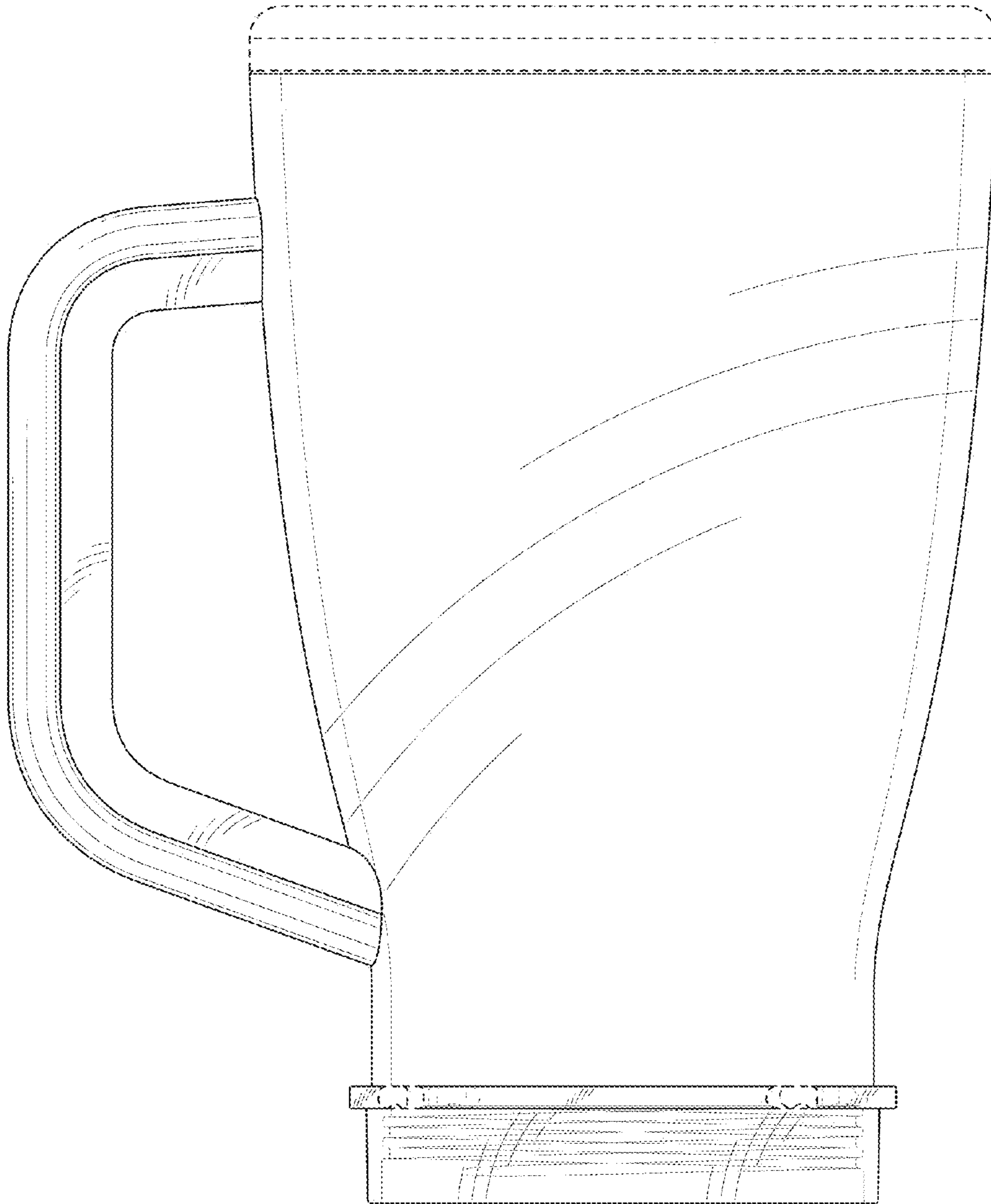


FIG. 3

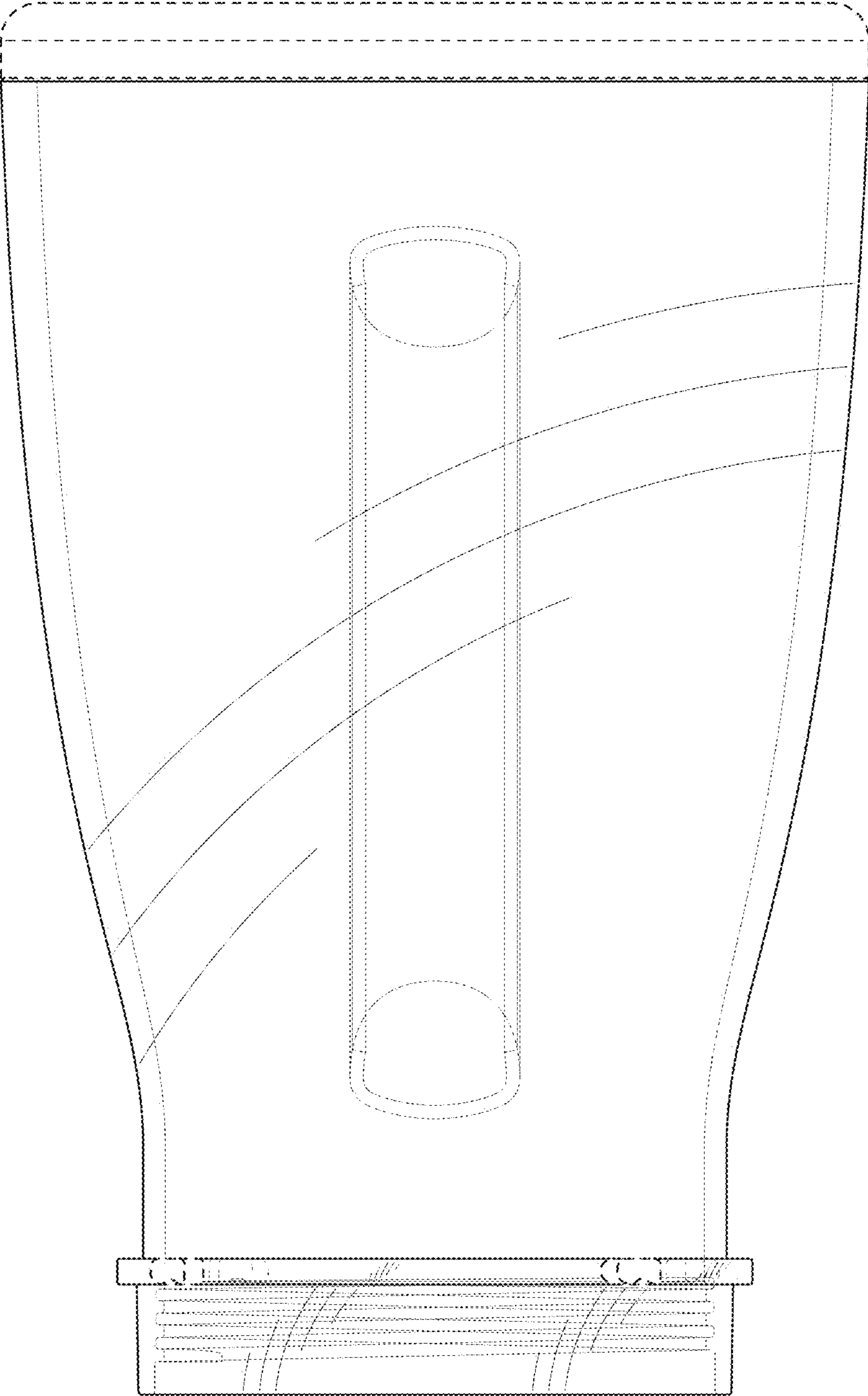


FIG. 4

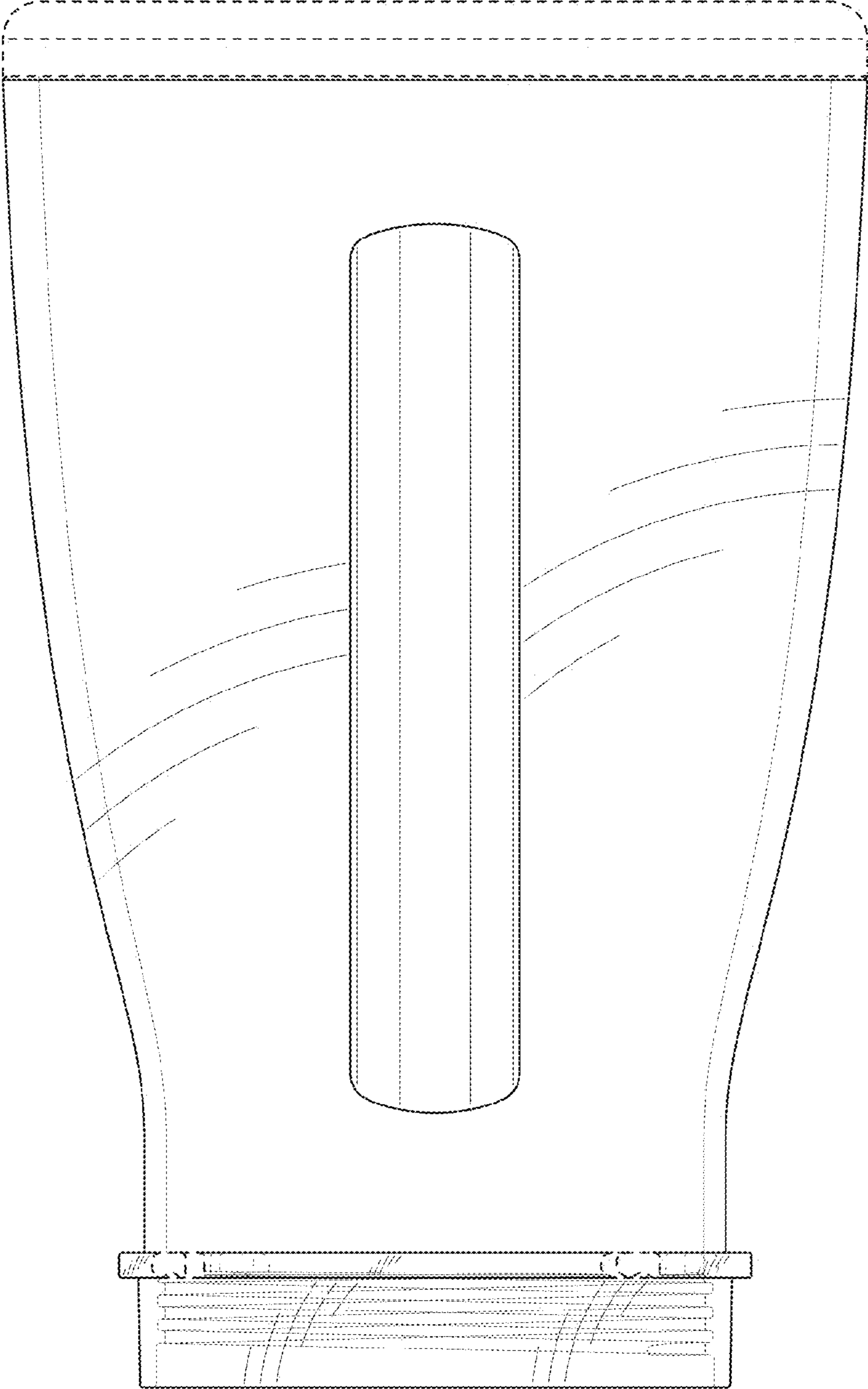


FIG. 5

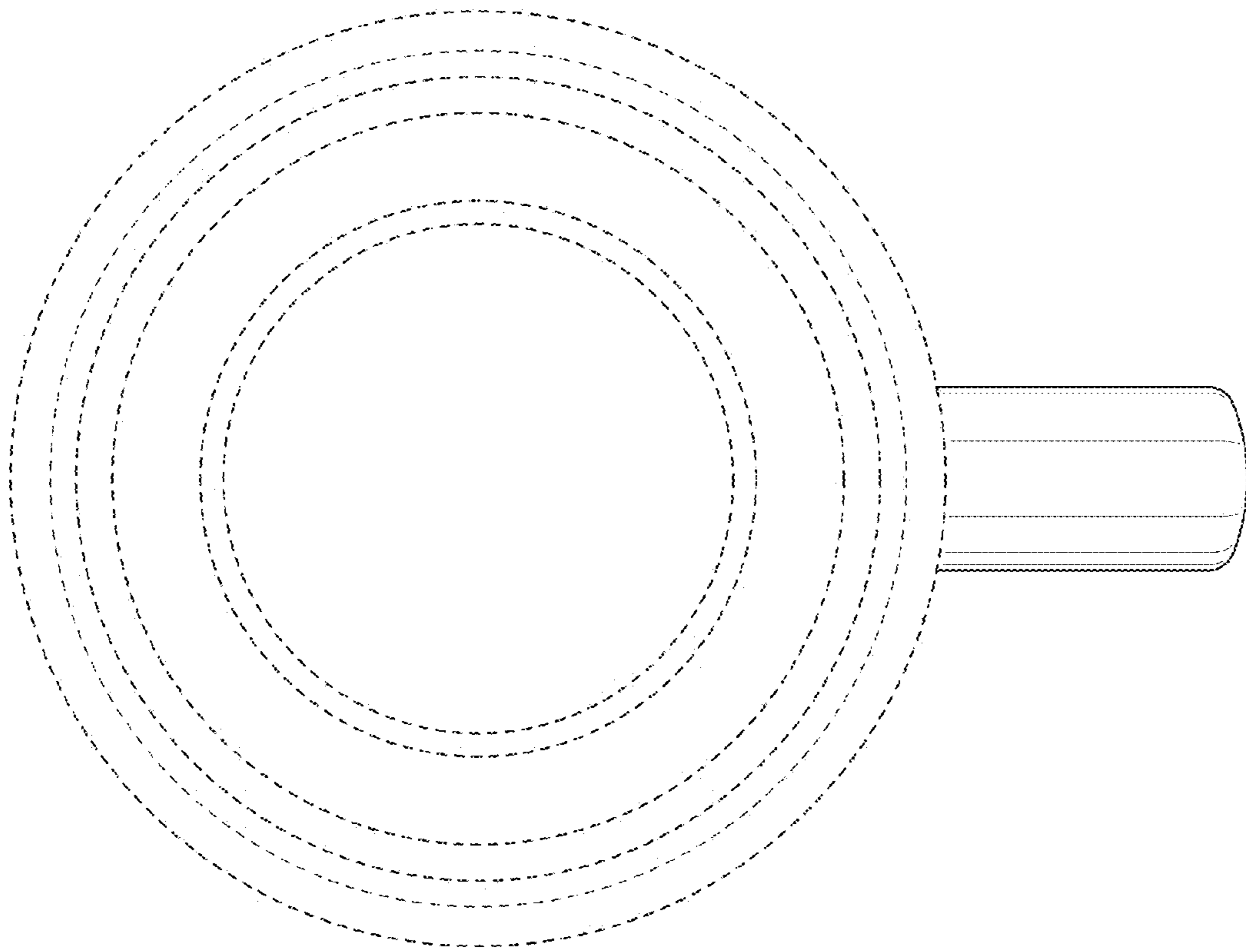


FIG. 6

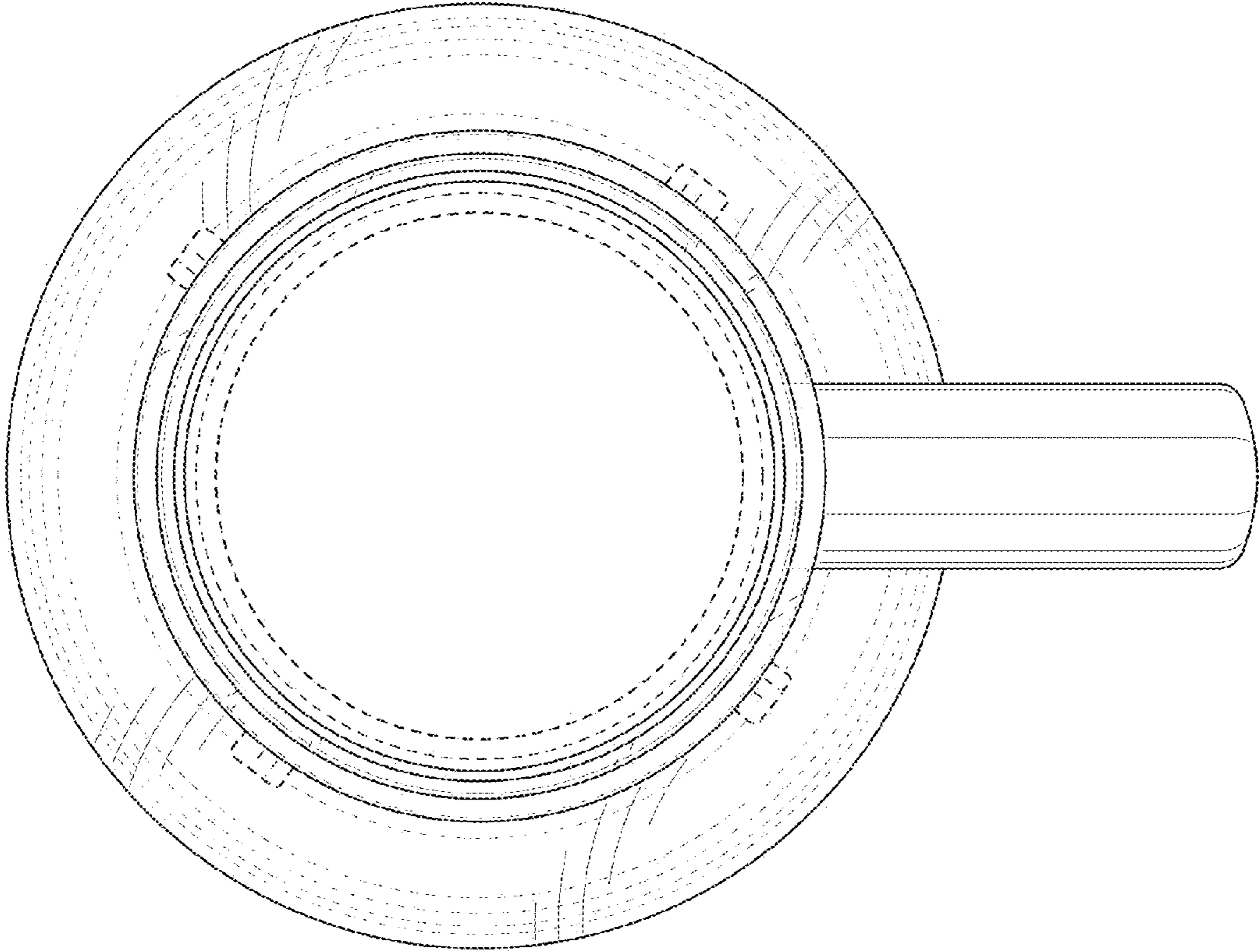


FIG. 7