



US00D755561S

(12) **United States Design Patent**  
**Eyal**

(10) **Patent No.:** **US D755,561 S**

(45) **Date of Patent:** **\*\* May 10, 2016**

- (54) **BEVERAGE CONTAINER LID**
- (71) Applicant: **ETS EXPRESS, INC.**, Oxnard, CA (US)
- (72) Inventor: **Sharon Eyal**, Oxnard, CA (US)
- (73) Assignee: **ETS EXPRESS, INC.**, Oxnard, CA (US)
- (\*\*) Term: **14 Years**
- (21) Appl. No.: **29/518,446**
- (22) Filed: **Feb. 24, 2015**
- (51) **LOC (10) Cl.** ..... **07-01**
- (52) **U.S. Cl.**  
USPC ..... **D7/392.1; D7/396.2**
- (58) **Field of Classification Search**  
USPC ..... D7/391, 392, 392.1, 396.2, 397, 509, D7/510, 511, 512, 514, 620; D9/435, 436, D9/440, 441, 442, 447, 451, 503, 504, 516, D9/527, 552, 643, 666, 761; 215/212, 224, 215/329, 386, 387, 388, 392, 396; 220/254.8, 700, 703, 705, 710.5, 711, 220/715  
CPC ..... A47G 19/2272  
See application file for complete search history.

D479,800 S *	9/2003	McRae	.....	D9/443
D482,967 S *	12/2003	Bourque	.....	D9/435
D542,655 S *	5/2007	Szczesniak	.....	D9/453
D548,075 S *	8/2007	Mavin	.....	D9/435
D615,360 S *	5/2010	Joy	.....	D7/510
D616,744 S *	6/2010	Cresswell	.....	D9/443
D621,258 S *	8/2010	Gullickson	.....	D9/443
D626,416 S *	11/2010	Cresswell	.....	D7/510
D631,666 S *	2/2011	Lim	.....	D4/129
D632,522 S *	2/2011	Wahl	.....	D7/392.1
D712,255 S *	9/2014	Geis	.....	D9/436

\* cited by examiner

*Primary Examiner* — Robert M Spear  
*Assistant Examiner* — Kendra L Hamilton  
 (74) *Attorney, Agent, or Firm* — Kleinberg & Lerner, LLP;  
 Marvin H. Kleinberg; Marshall A. Lerner

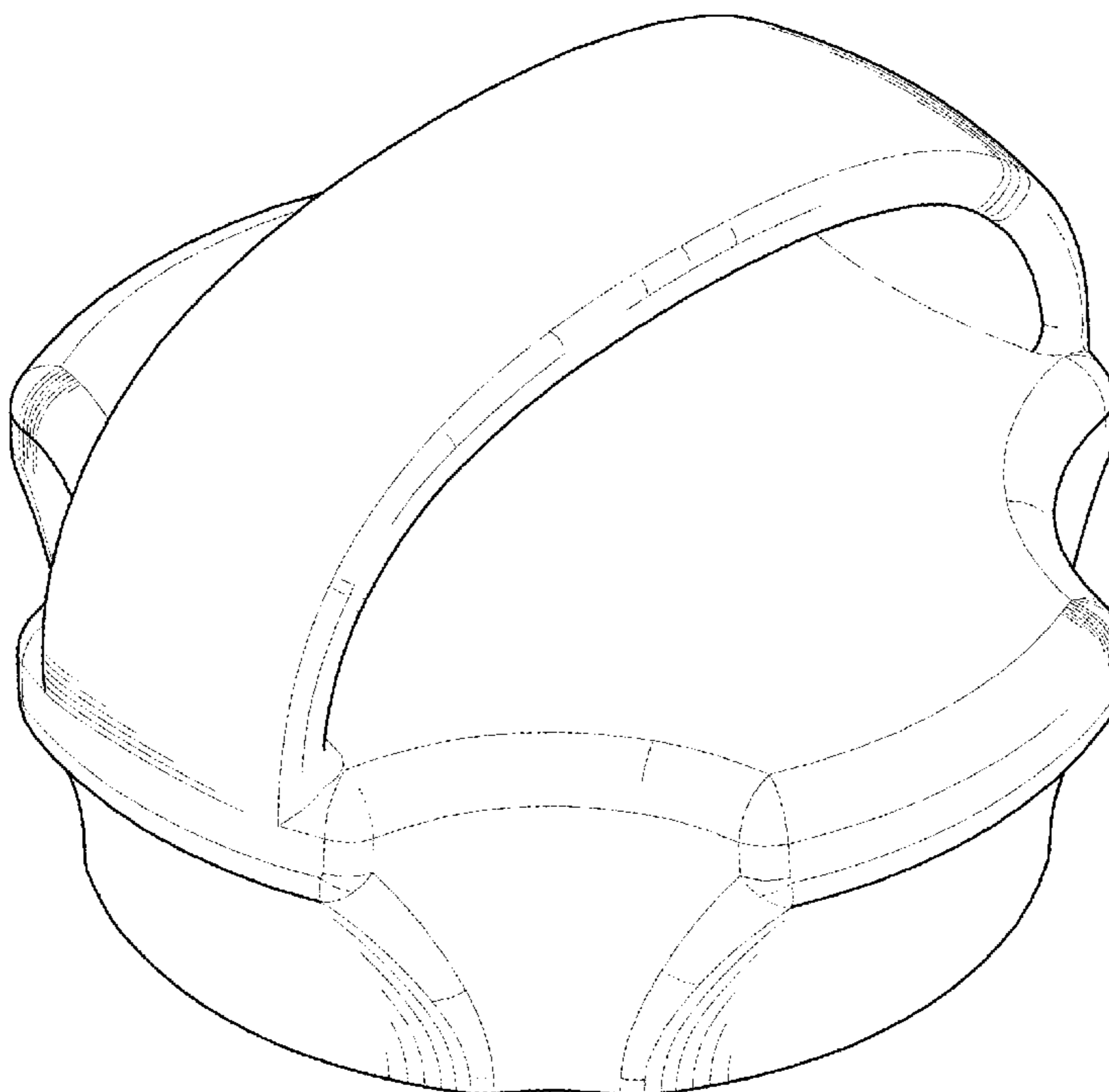
(57) **CLAIM**  
 The ornamental design for a beverage container lid, as shown and described.

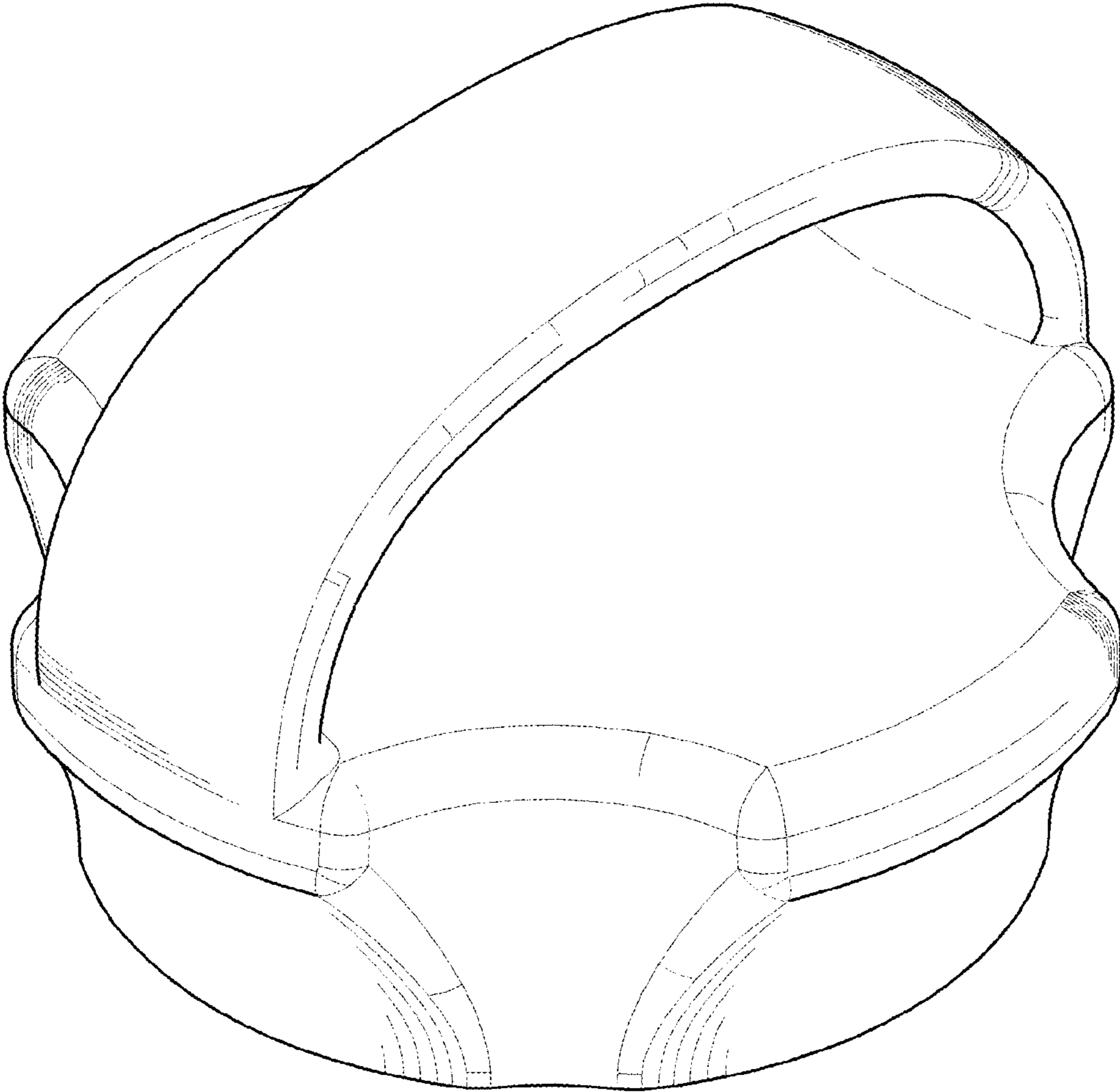
**DESCRIPTION**

FIG. 1 is a perspective view of a beverage container lid showing my new design;  
 FIG. 2 is a front view thereof, the rear view being the same;  
 FIG. 3 is a left side view, the right side view being the same;  
 FIG. 4 is a top plan view thereof; and,  
 FIG. 5 is a bottom plan view thereof.  
 The broken lines illustrate portions of the beverage container lid that form no part of the claimed design.

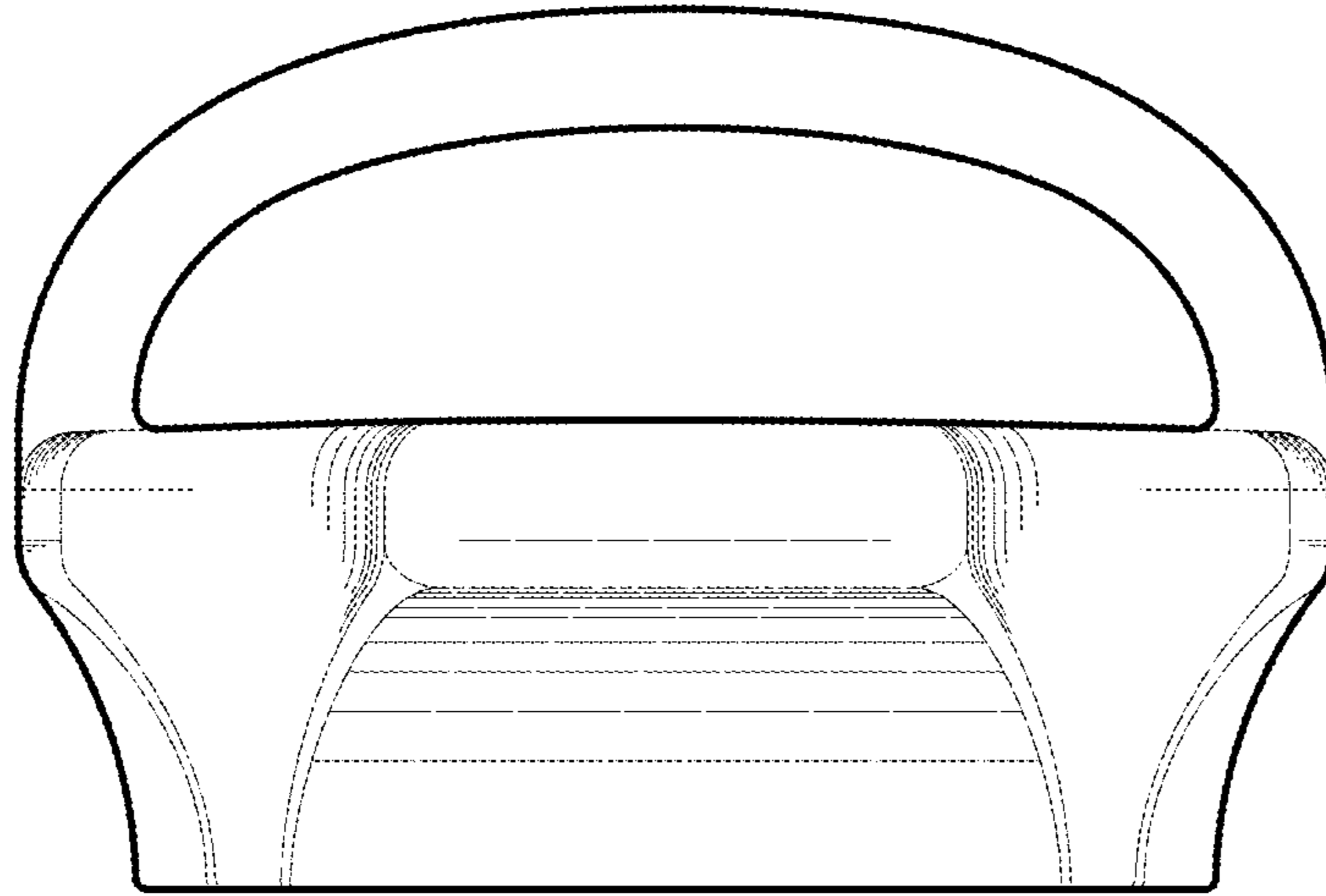
**1 Claim, 3 Drawing Sheets**

- (56) **References Cited**  
U.S. PATENT DOCUMENTS  
D202,938 S \* 11/1965 Danks ..... D9/453  
D378,269 S \* 3/1997 Doughty ..... D23/250

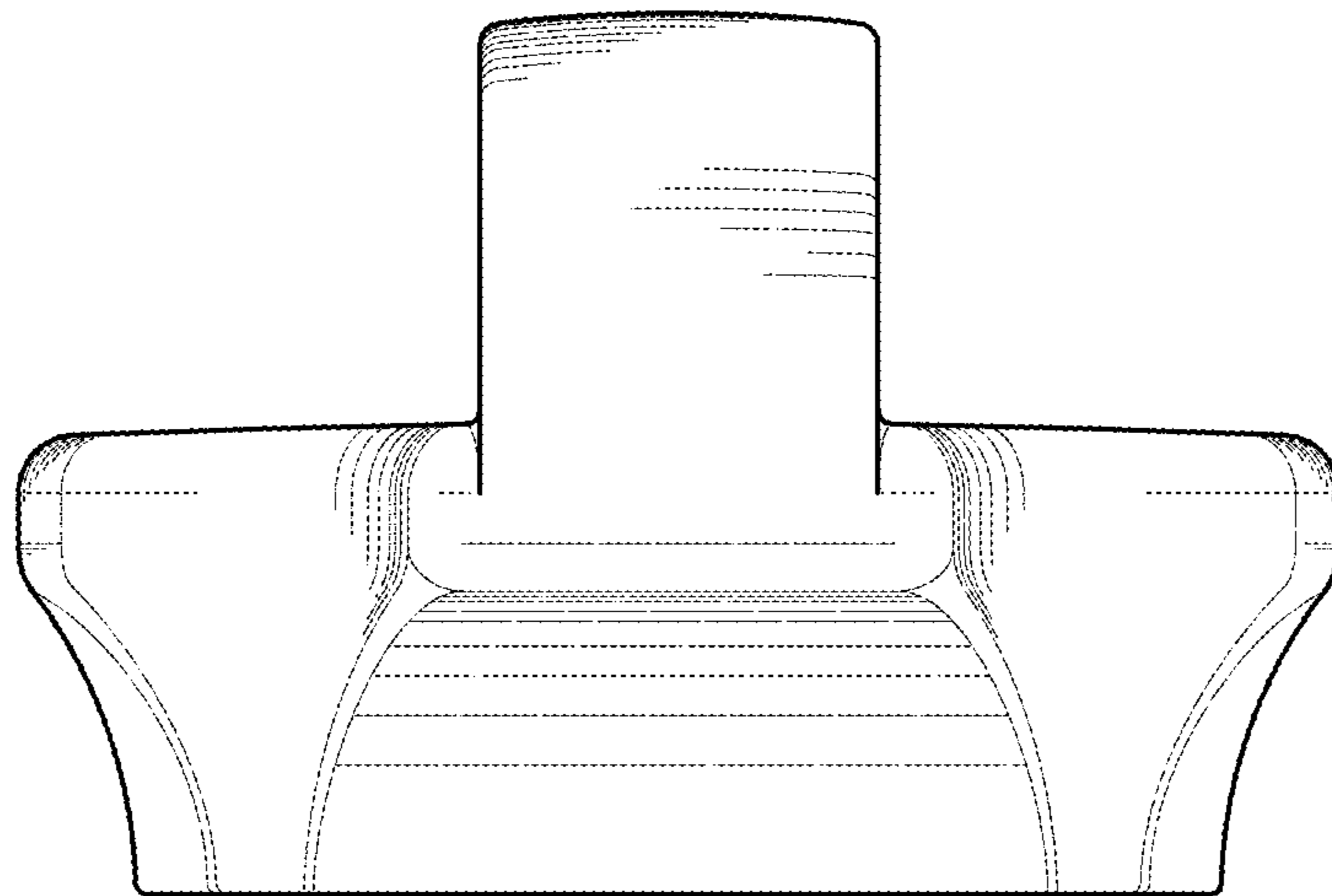




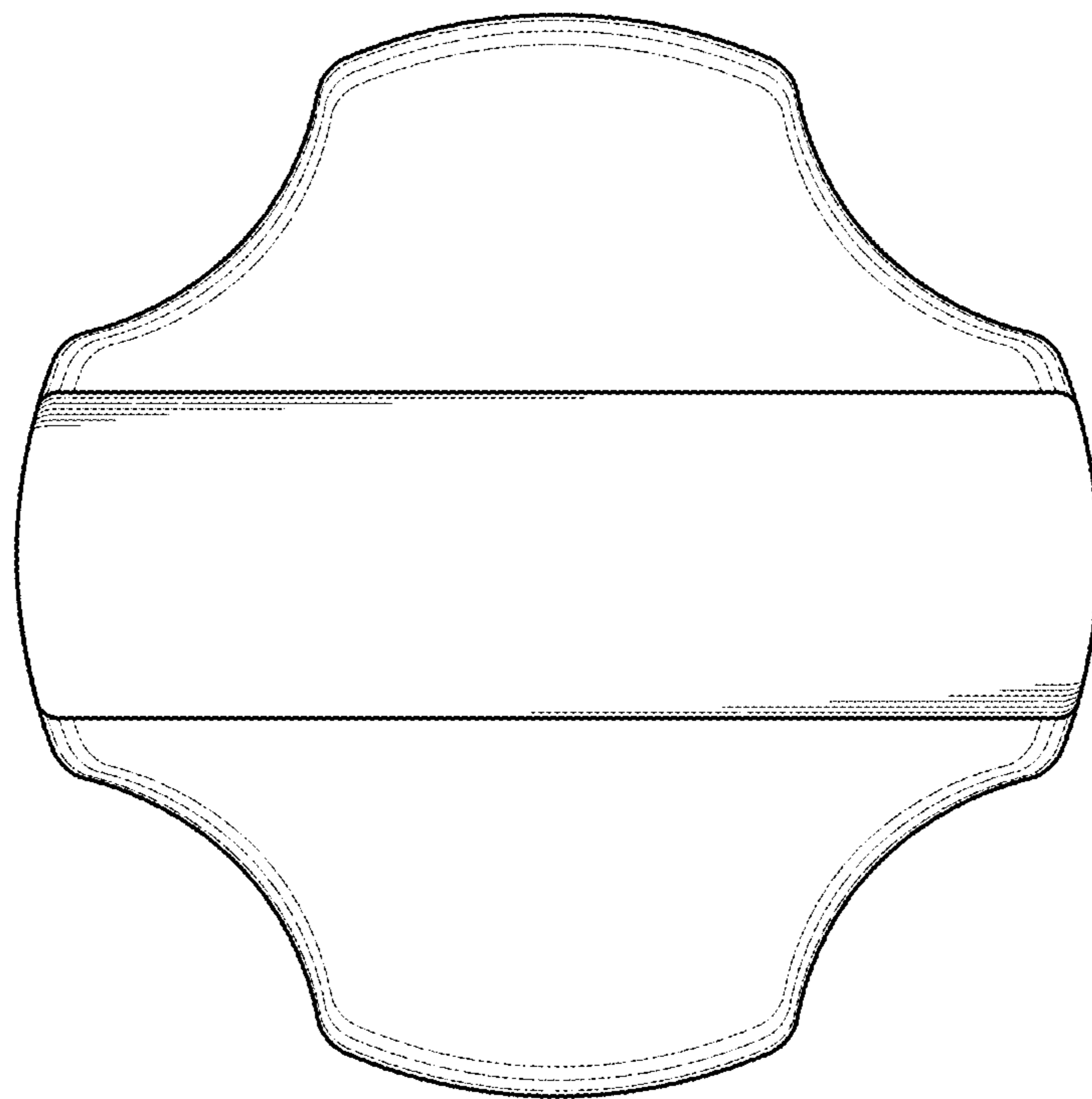
**FIG. 1**



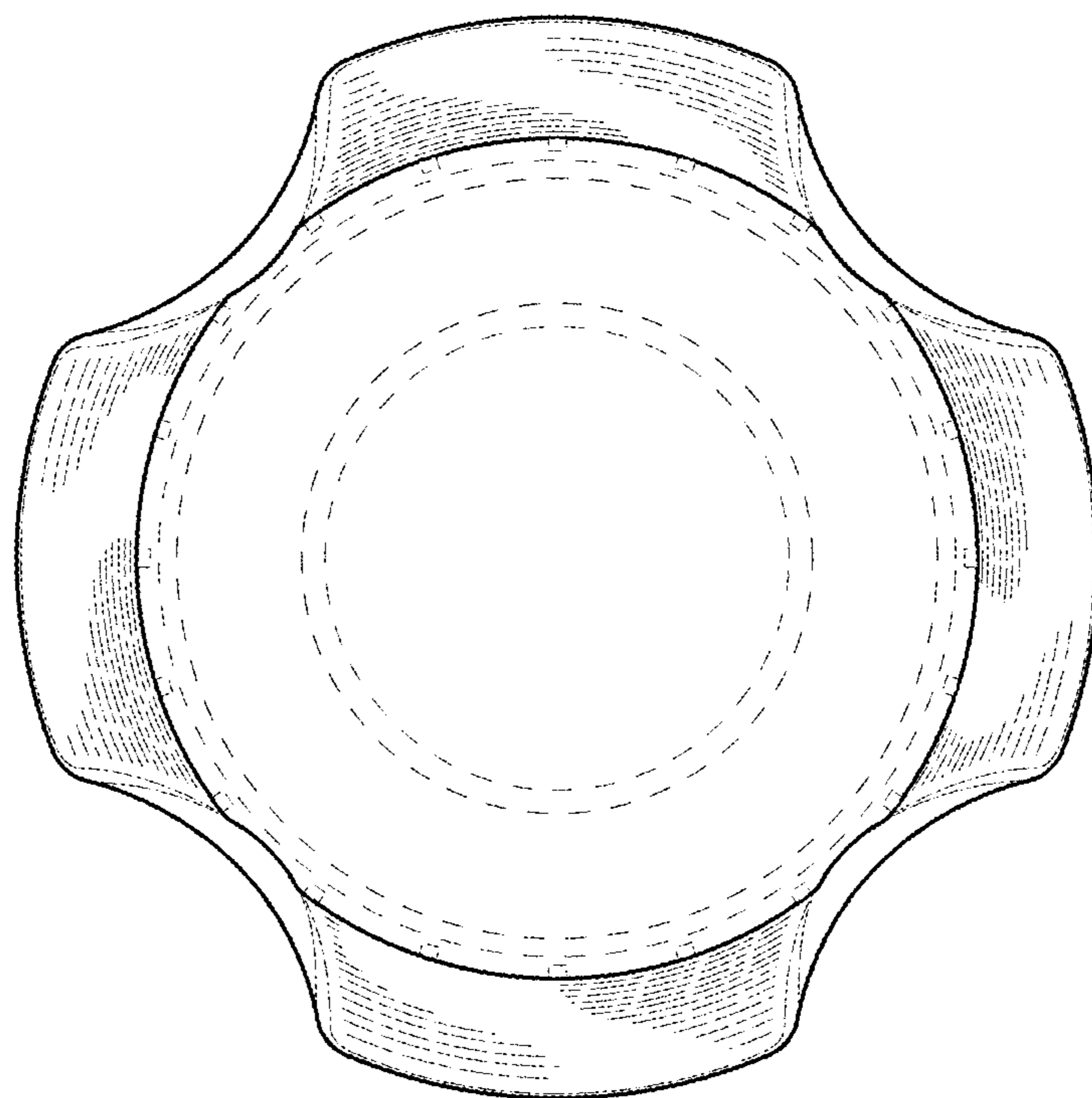
**FIG. 2**



**FIG. 3**



**FIG. 4**



**FIG. 5**