



US00D755560S

(12) **United States Design Patent**  
**Day et al.**

(10) **Patent No.:** **US D755,560 S**

(45) **Date of Patent:** **\*\* May 10, 2016**

(54) **MODULAR APPLIANCE WARMING TRAY  
MODULE**

(56) **References Cited**

U.S. PATENT DOCUMENTS

(71) Applicant: **Sunbeam Products, Inc.**, Boca Raton,  
FL (US)

D523,688 S *	6/2006	Karam .....	D7/365
D610,394 S *	2/2010	Bodum .....	D7/362
D640,299 S *	6/2011	Day .....	D15/146
D658,694 S *	5/2012	Day .....	D15/146
D660,640 S *	5/2012	De'Longhi .....	D7/354
D674,650 S *	1/2013	Day .....	D7/354
D676,273 S *	2/2013	Liu .....	D7/352
D685,605 S *	7/2013	Xin .....	D7/352
D694,793 S *	12/2013	Cumming .....	D15/146
D694,794 S *	12/2013	Cumming .....	D15/146
D697,752 S *	1/2014	De' Longhi .....	D7/352
D711,186 S *	8/2014	De'Longhi .....	D7/352
D736,029 S *	8/2015	Huber .....	D7/352

(72) Inventors: **Adam Day**, Boynton Beach, FL (US);  
**Phetsouvanh Kounlavong**, Lake Worth,  
FL (US)

(73) Assignee: **Sunbeam Products, Inc.**, Boca Raton,  
FL (US)

(\*\*) Term: **14 Years**

\* cited by examiner

(21) Appl. No.: **29/496,083**

*Primary Examiner* — Ricky Pham

(22) Filed: **Jul. 9, 2014**

(74) *Attorney, Agent, or Firm* — Michael J. Corrigan

(51) **LOC (10) Cl.** ..... **07-02**

(57) **CLAIM**

(52) **U.S. Cl.**

The ornamental design for a modular appliance warming tray module, as shown and described.

USPC ..... **D7/367**; D7/352; D7/362; D7/363

**DESCRIPTION**

(58) **Field of Classification Search**

USPC ..... D7/323, 328–330, 337, 347, 352–365,  
D7/367, 402, 409–411; D15/146

FIG. 1 is a front perspective view of the modular appliance warming tray module;

FIG. 2 is a front view thereof;

FIG. 3 is a rear view thereof;

FIG. 4 is a left side view thereof;

FIG. 5 is a right side view thereof; and,

FIG. 6 is a top view thereof.

The portion shown in dashed lines is shown for illustrative purposes only and forms no part of the claimed design.

CPC ..... A21B 5/023; A47J 27/60; A47J 27/62;  
A47J 37/04; A47J 37/06; A47J 37/067;  
A47J 37/0605; A47J 37/0611; A47J 37/0623;  
A47J 37/0629; A47J 37/0676; A47J 2037/06;  
A47J 2037/0611; F24C 15/10; F24C 15/102;  
H05B 6/02; H05B 6/062

See application file for complete search history.

**1 Claim, 3 Drawing Sheets**

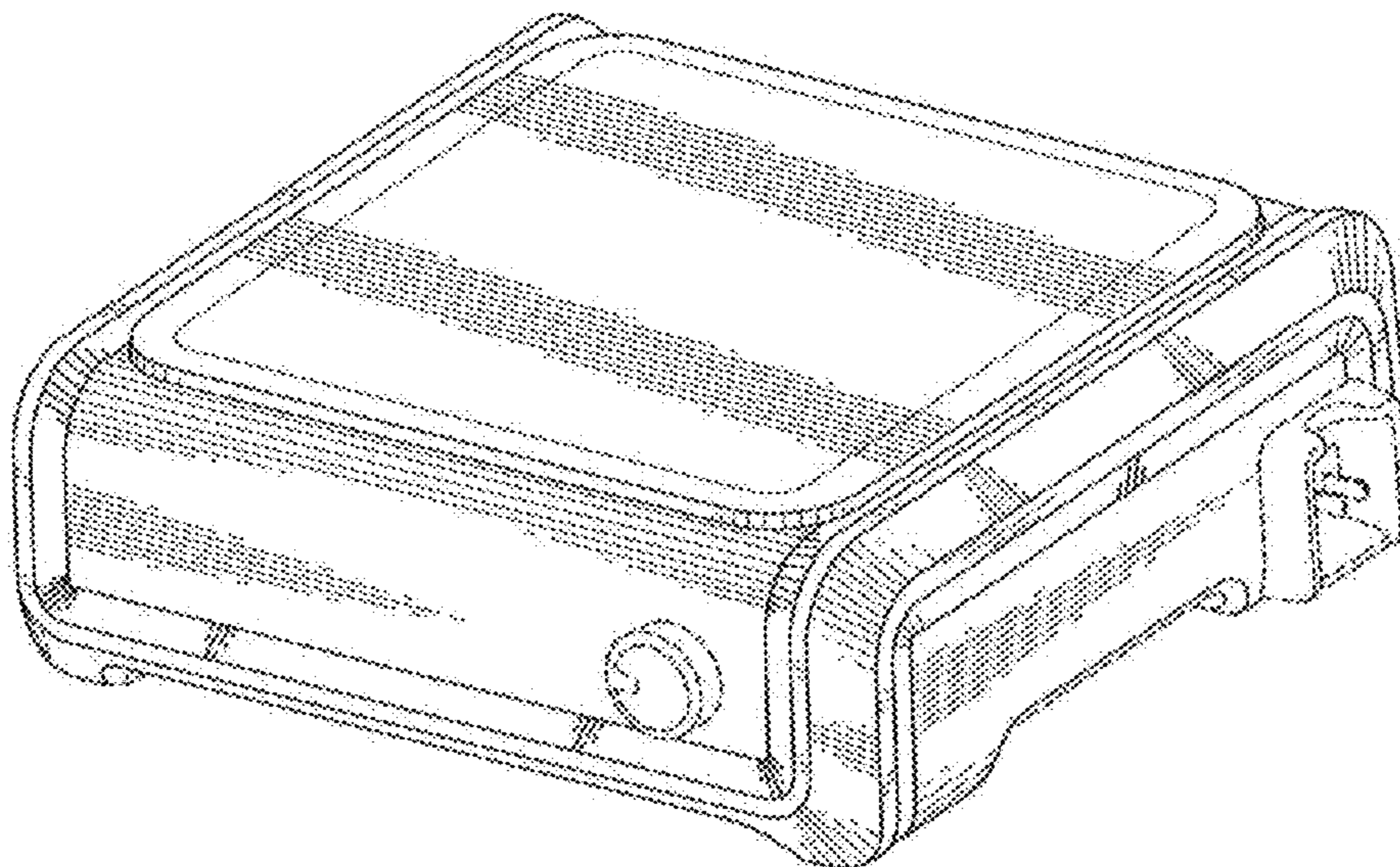


FIG. 1

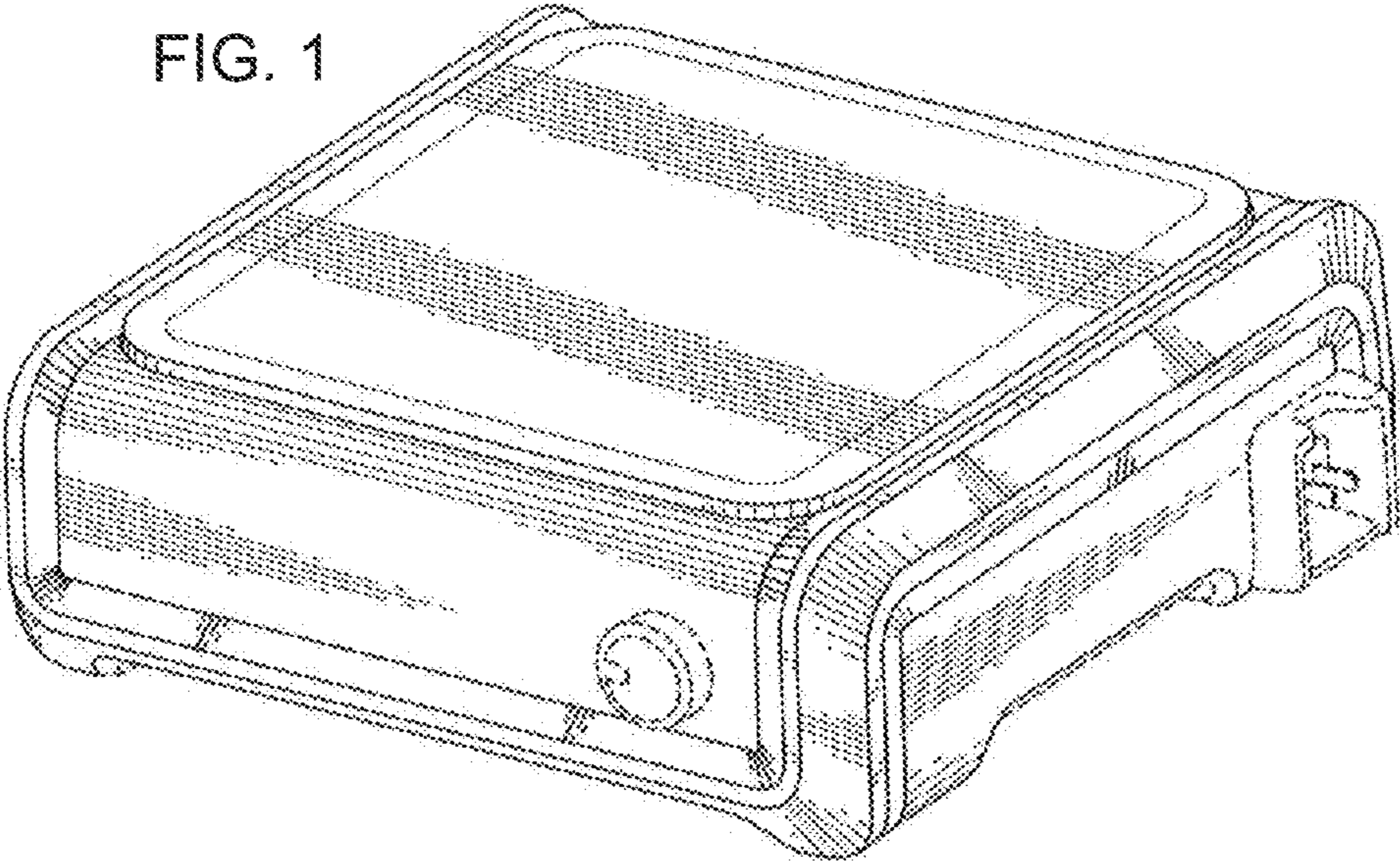


FIG. 2

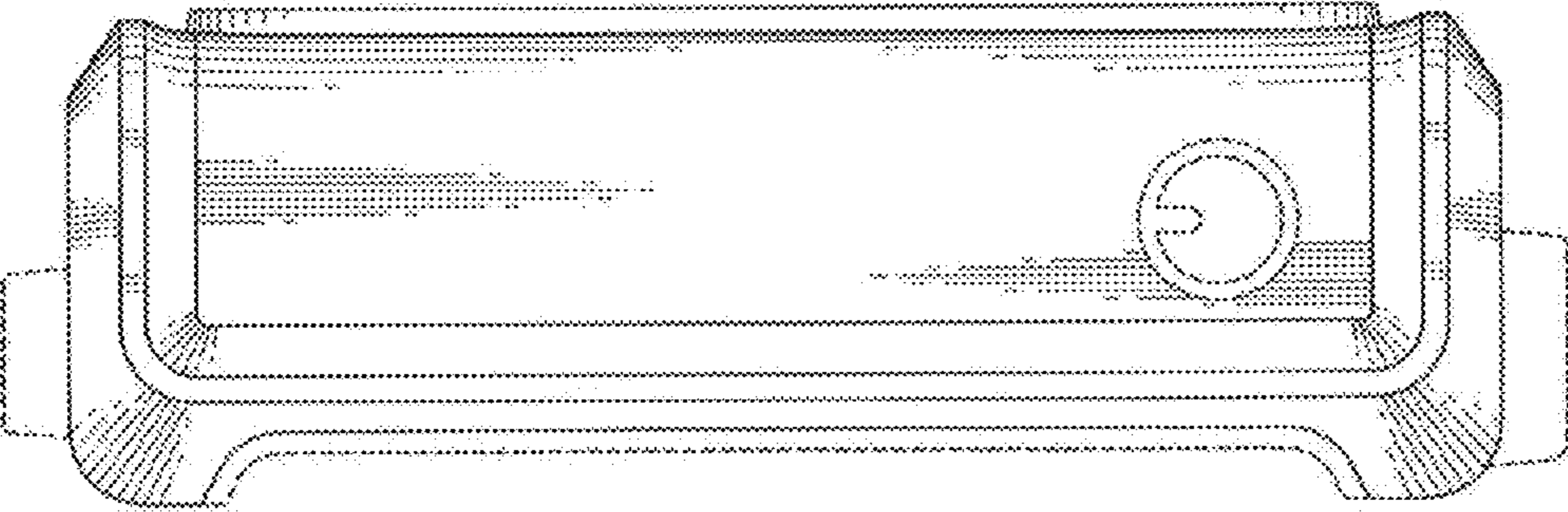


FIG. 3

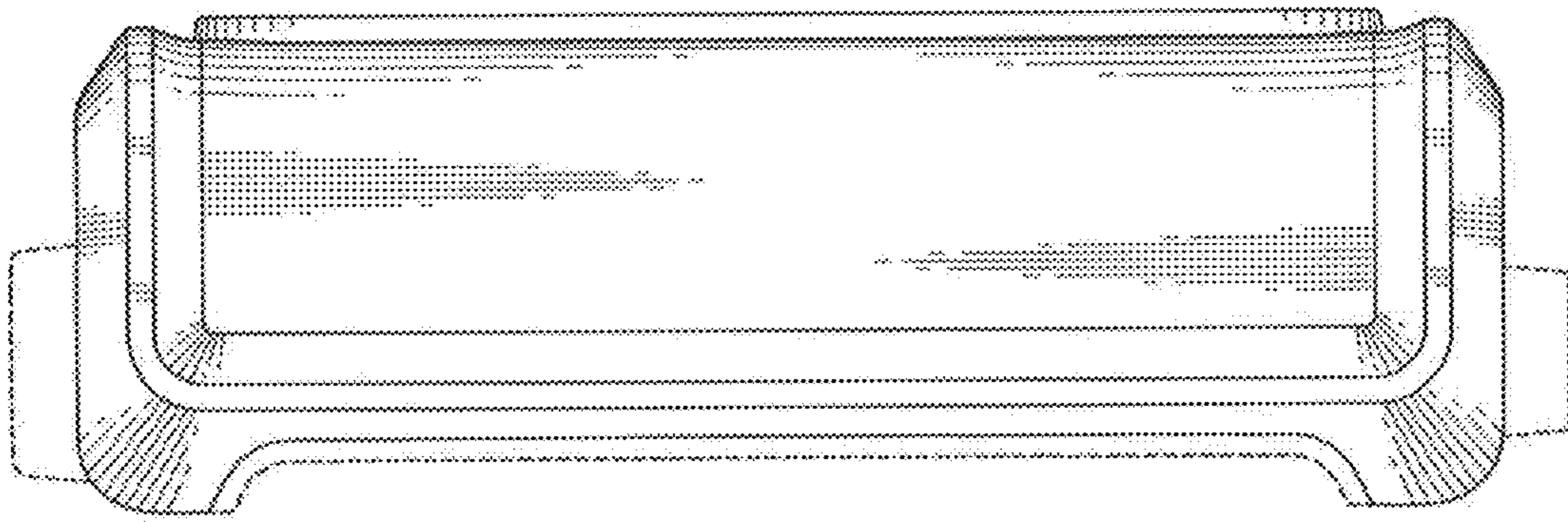


FIG. 4

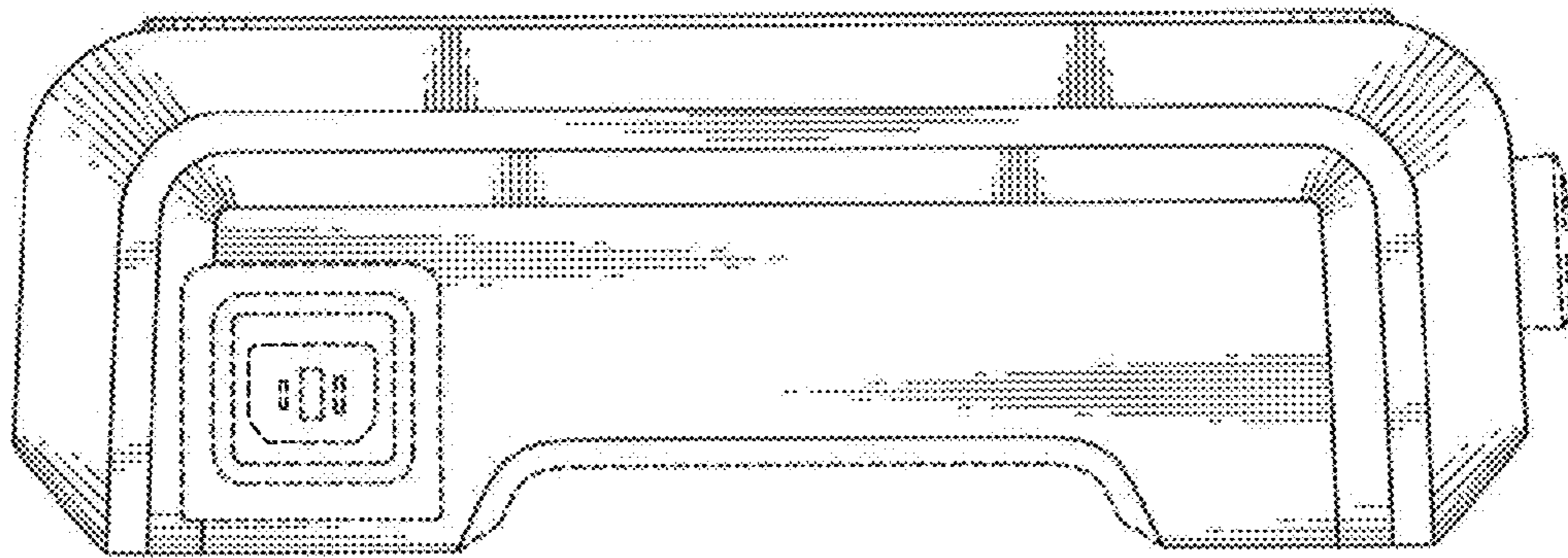


FIG. 5

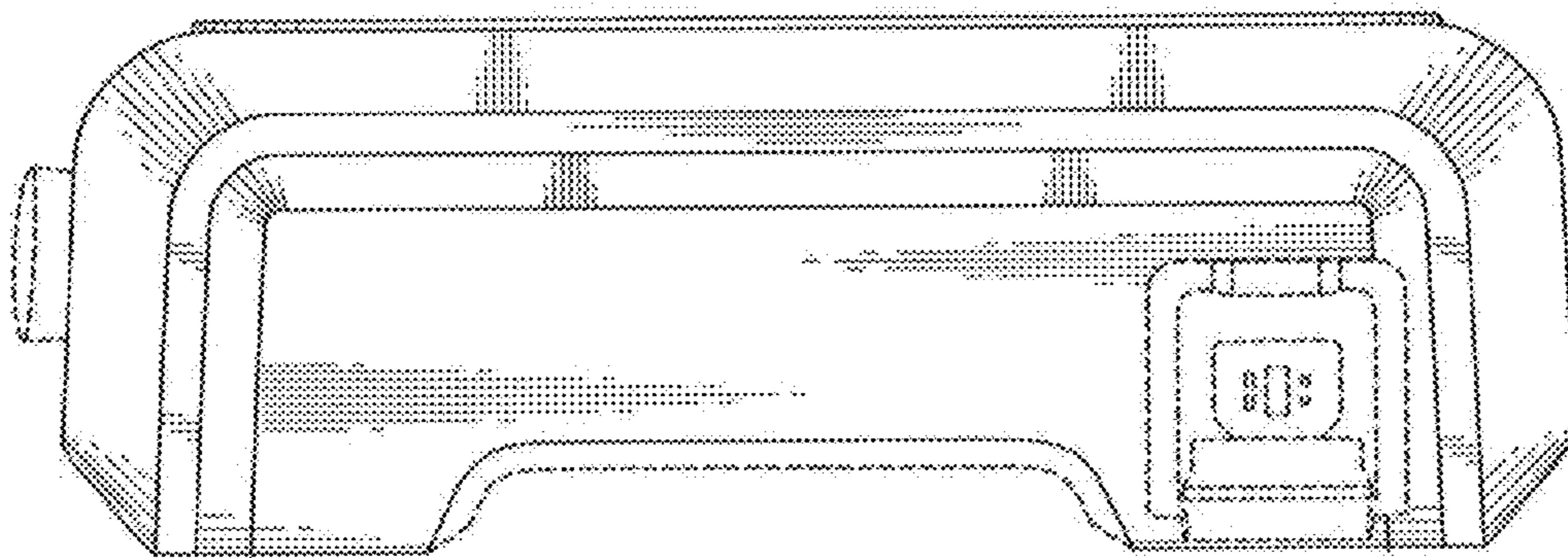


FIG. 6

