



US00D75557S

(12) **United States Design Patent**
Stout et al.

(10) **Patent No.:** **US D755,557 S**
(45) **Date of Patent:** **** May 10, 2016**

(54) **COOKER**

(71) Applicant: **Academy, Ltd.**, Katy, TX (US)

(72) Inventors: **Matthew R. Stout**, Richmond, TX (US);
Blake K. Levien, Brookshire, TX (US)

(73) Assignee: **Academy, Ltd.**, Katy, TX (US)

(**) Term: **14 Years**

(21) Appl. No.: **29/511,876**

(22) Filed: **Dec. 15, 2014**

(51) **LOC (10) Cl.** **07-02**

(52) **U.S. Cl.**
USPC **D7/332**

(58) **Field of Classification Search**
USPC D7/332, 334-337, 402-405, 417, 338,
D7/348; 126/275 E; D9/433
CPC A47J 37/0704; A47J 37/0763; A47J
37/0745; A47J 37/0713; A47J 37/0768;
A47J 37/079; A47J 36/26; A47J 39/00;
F24B 1/205; F24B 1/02; F24B 15/04; F24C
3/14; F24C 3/027; F24C 15/08; F47J 33/00;
B65D 7/26; B65D 7/24; B65D 85/1045;
B65D 85/18; A23B 4/052

See application file for complete search history.

(56) **References Cited**

U.S. PATENT DOCUMENTS

- 2,146,381 A * 2/1939 Rheem B65D 7/045
220/23.87
- D222,310 S 10/1971 Zaunbrecher
- 4,228,929 A * 10/1980 Gross B67D 3/00
222/185.1
- D277,041 S * 1/1985 Nichols D34/39
- D481,903 S * 11/2003 Hester D7/332
- D486,348 S 2/2004 Zhu

- D503,068 S 3/2005 May et al.
- D524,091 S * 7/2006 Lai D7/332
- D548,513 S 8/2007 Huang
- D550,022 S 9/2007 Amajuwon et al.
- D576,833 S * 9/2008 Mansell D7/332
- D583,185 S * 12/2008 Rutter D7/334
- D585,234 S * 1/2009 Winebrenner D7/335
- D592,442 S * 5/2009 Rutter D7/334
- D625,543 S 10/2010 Fitzgerald
- D629,244 S * 12/2010 McLemore D7/332
- D650,215 S * 12/2011 Chung D7/332
- D664,804 S 8/2012 Cheng
- D701,721 S 4/2014 Jan
- 2013/0014743 A1 * 1/2013 Glanville A47J 37/0704
126/25 R

OTHER PUBLICATIONS

Bug Boiler.
Bug Boiler I.

* cited by examiner

Primary Examiner — Ruth McInroy

(74) *Attorney, Agent, or Firm* — Kilpatrick Townsend & Stockton LLP

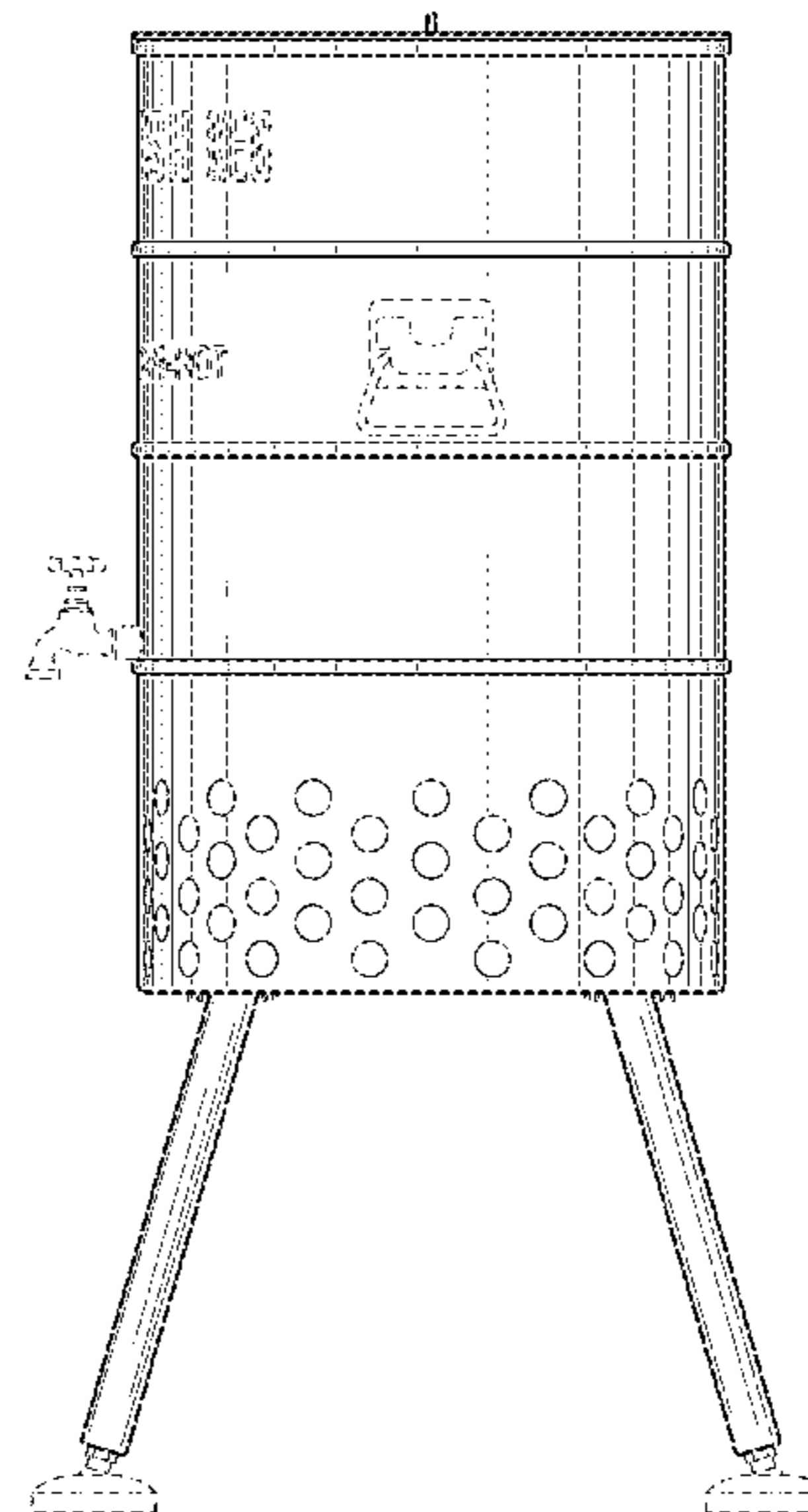
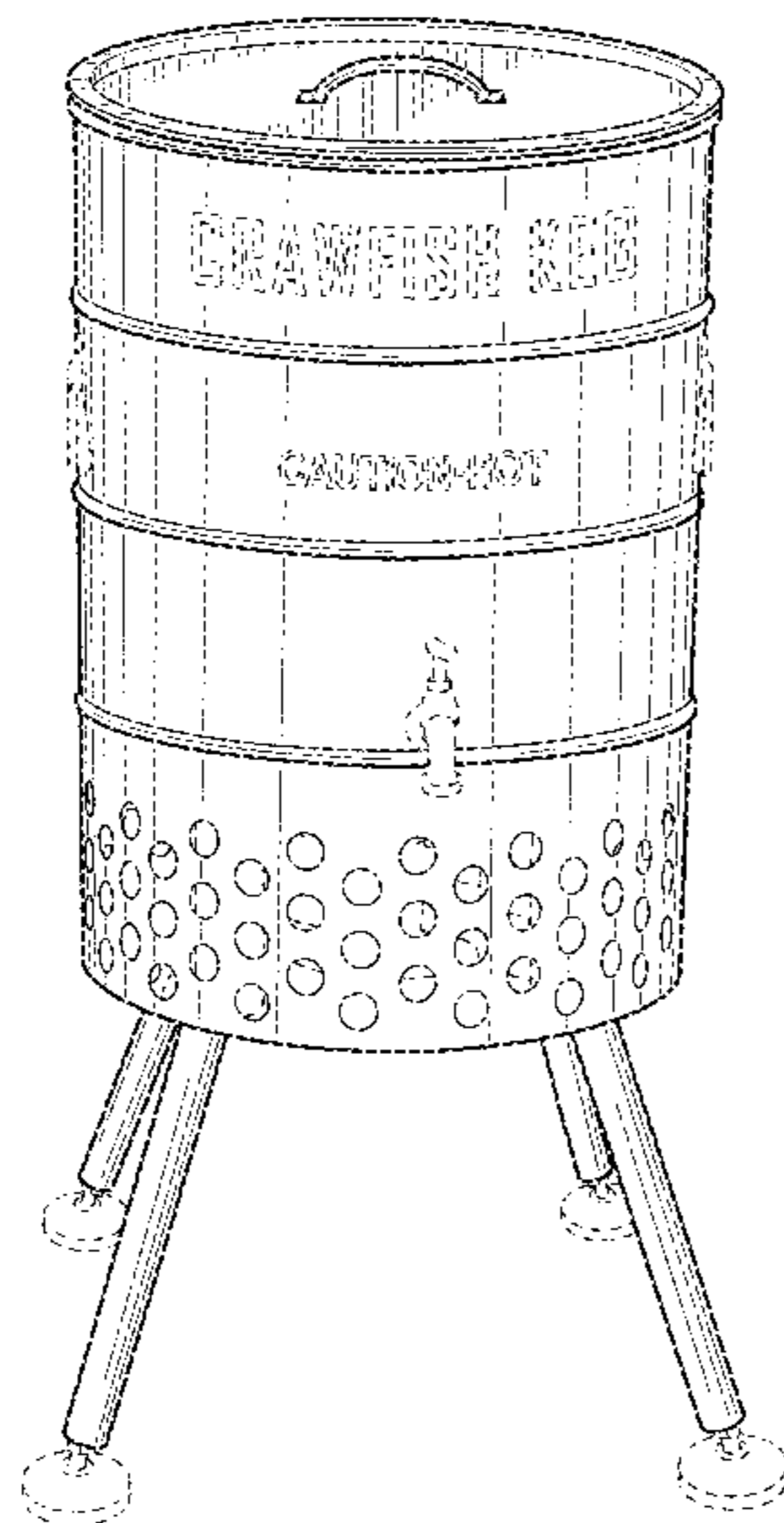
(57) **CLAIM**

The ornamental design for a cooker, as shown and described.

DESCRIPTION

FIG. 1 is a perspective view of a cooker.
FIG. 2 is a front view of the cooker of FIG. 1.
FIG. 3 is a left side view of the cooker of FIG. 1.
FIG. 4 is a right side view of the cooker of FIG. 1.
FIG. 5 is a rear view of the cooker of FIG. 1.
FIG. 6 is a top view of the cooker of FIG. 1.
FIG. 7 is a bottom view of the cooker of FIG. 1; and,
FIG. 8 is a bottom perspective view of the cooker of FIG. 1.
The underside of the cooker in FIGS. 7 and 8 is not claimed.

1 Claim, 8 Drawing Sheets



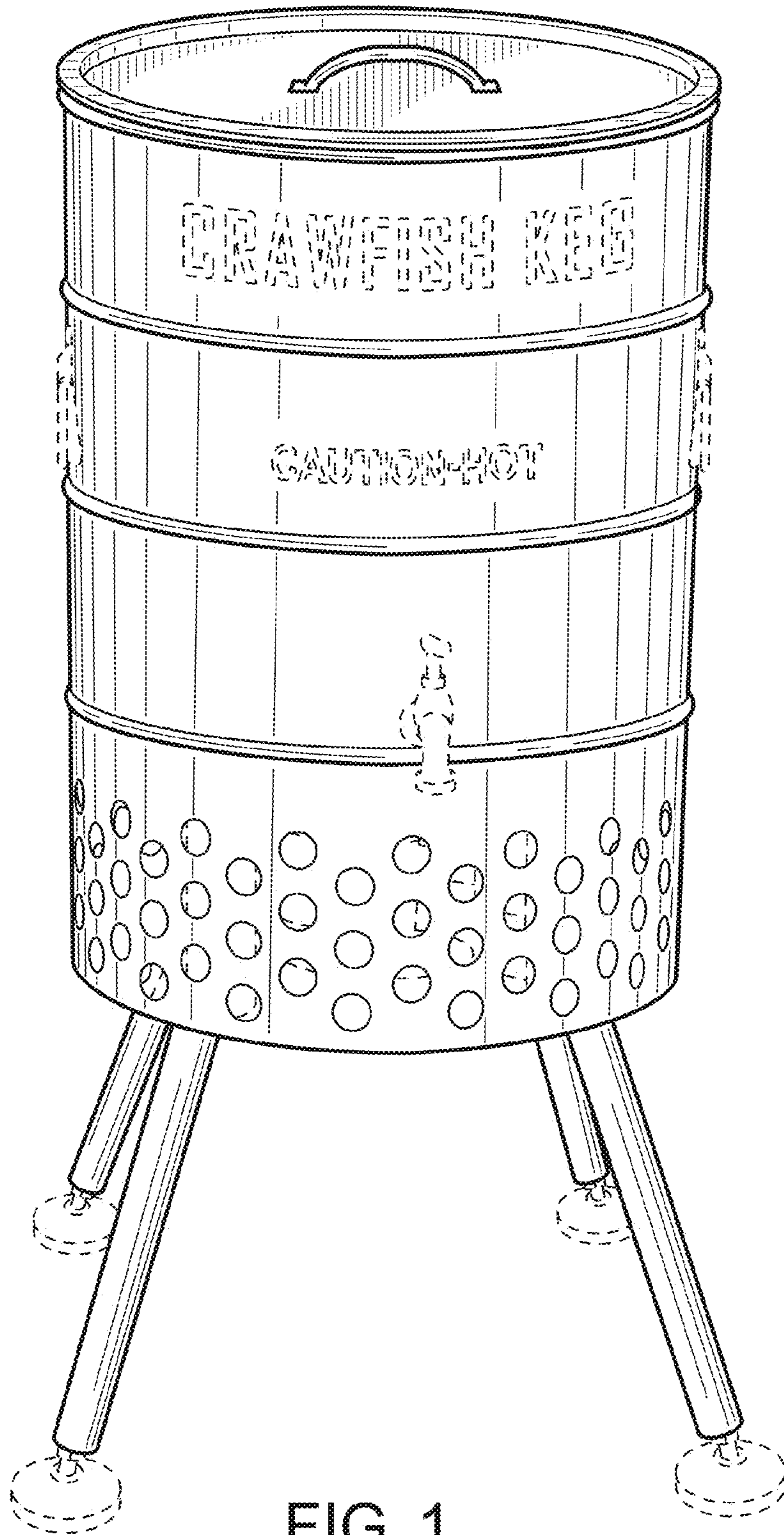
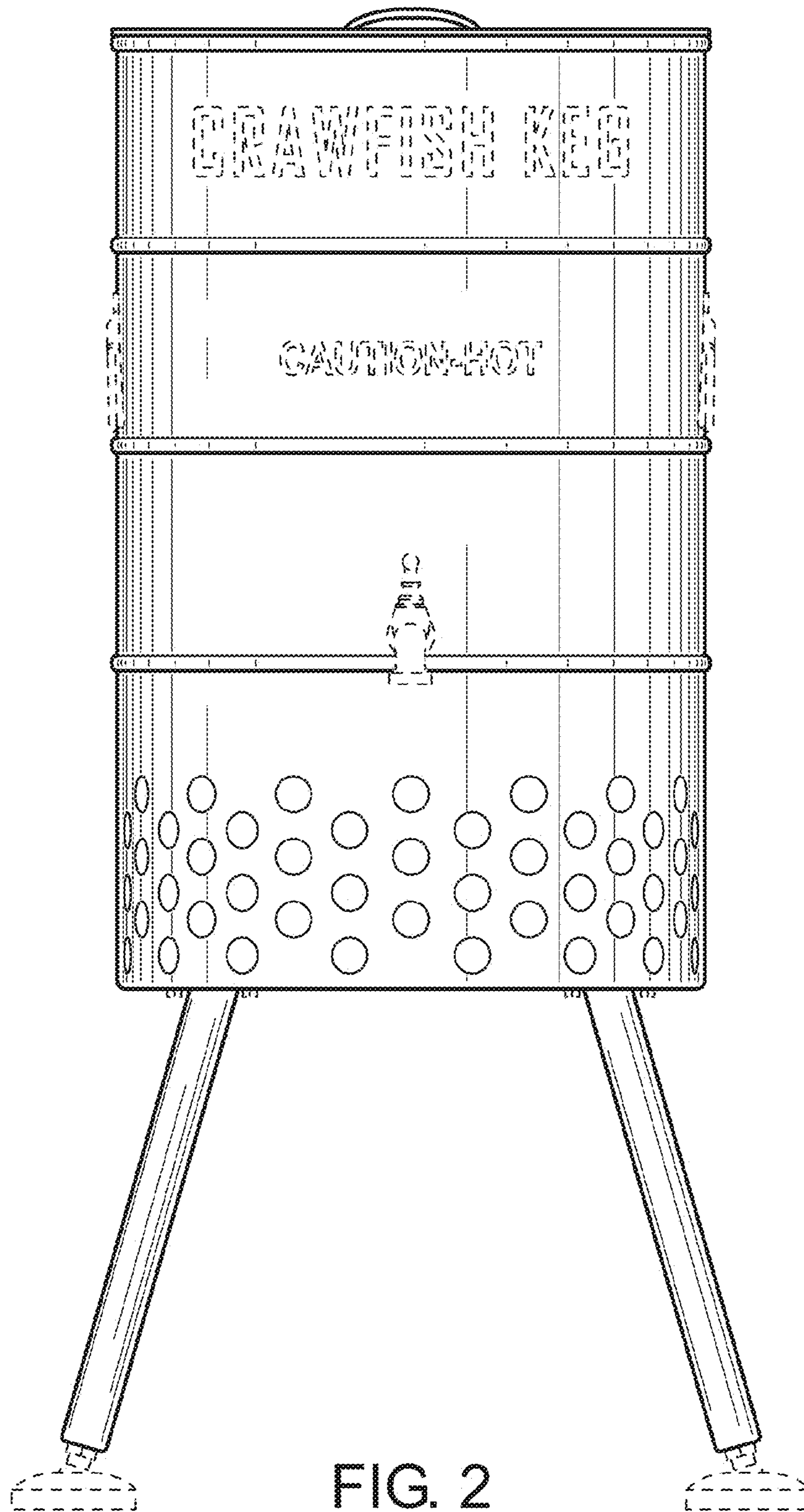


FIG. 1



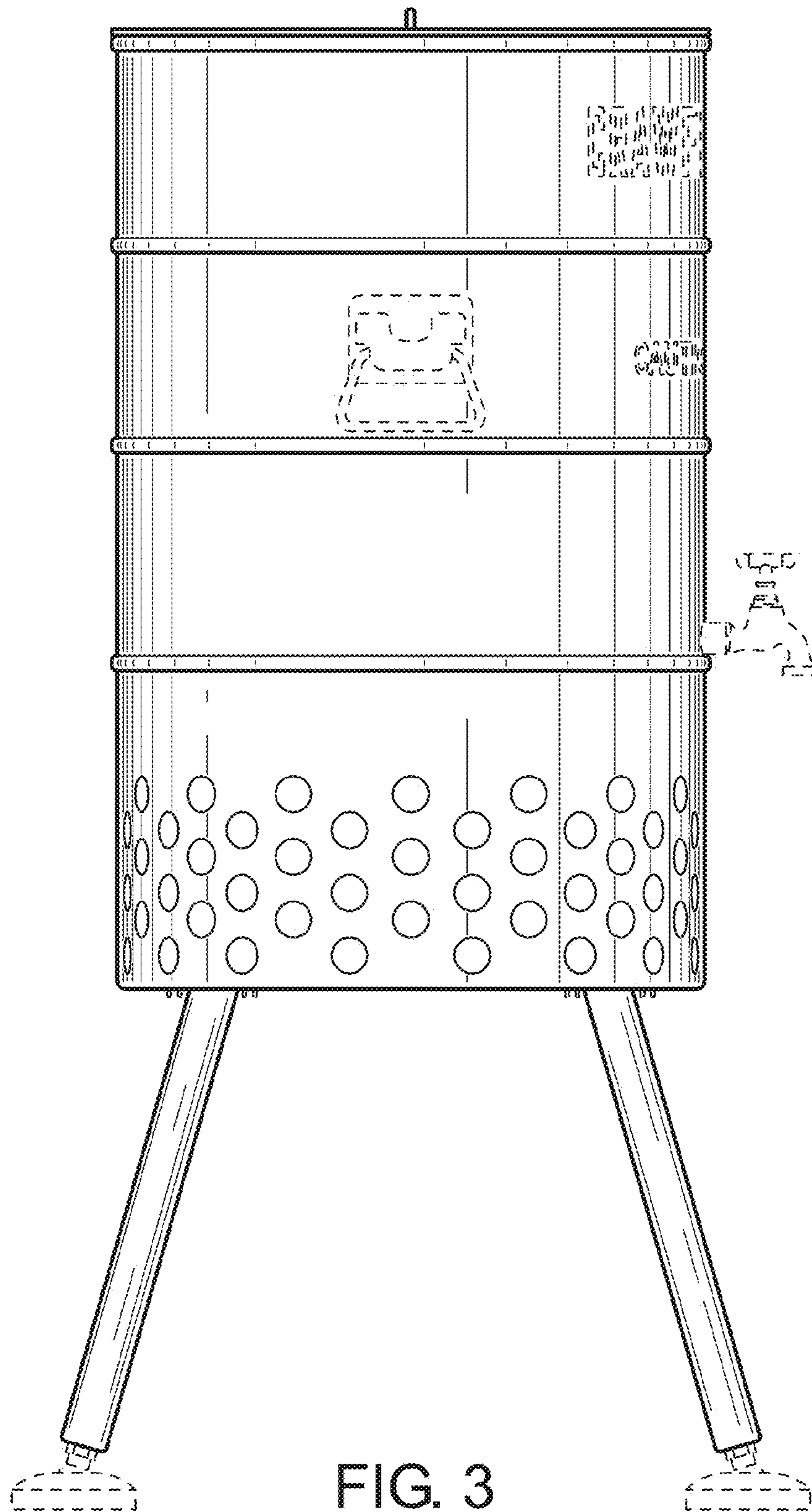


FIG. 3

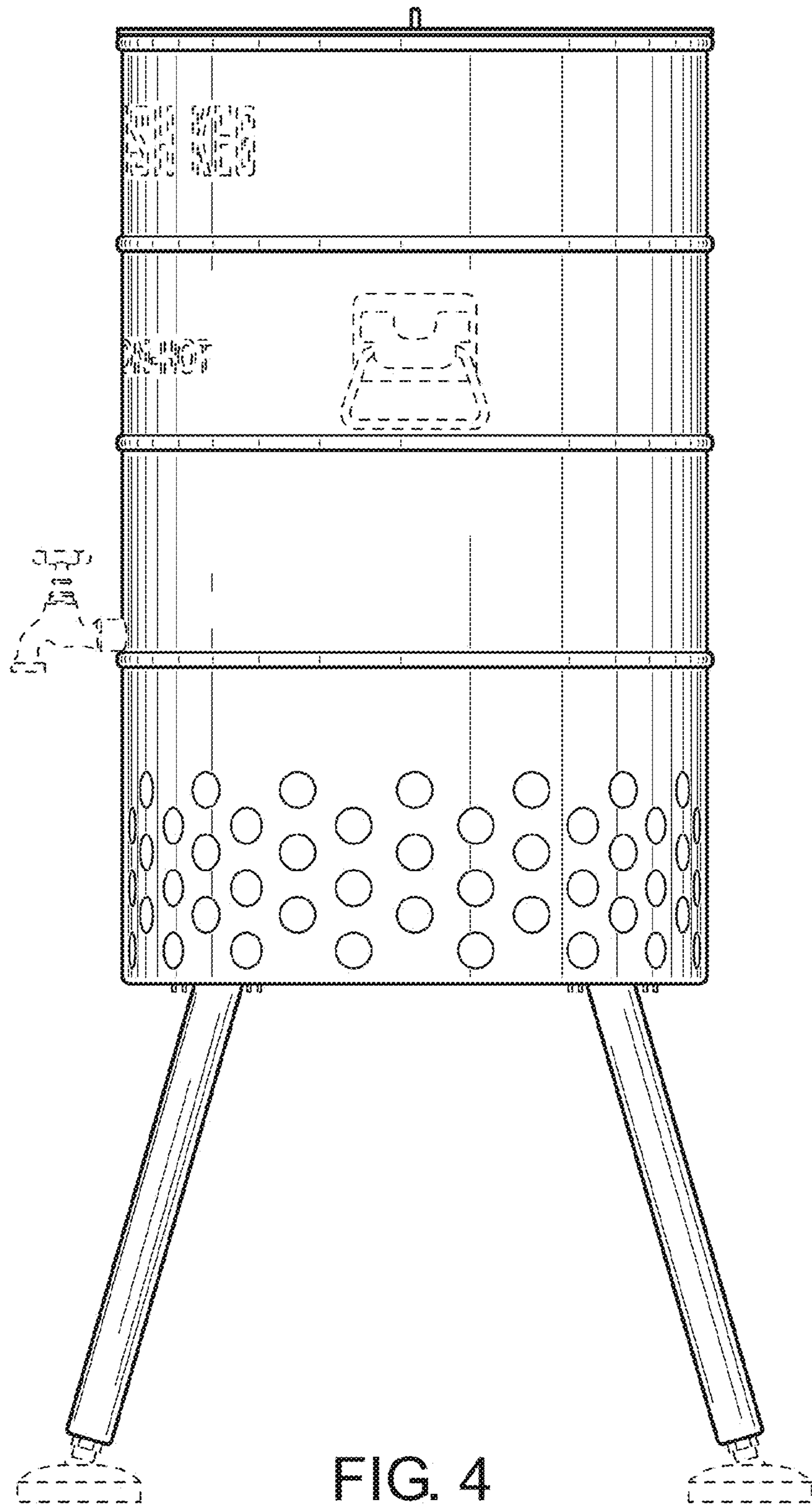


FIG. 4

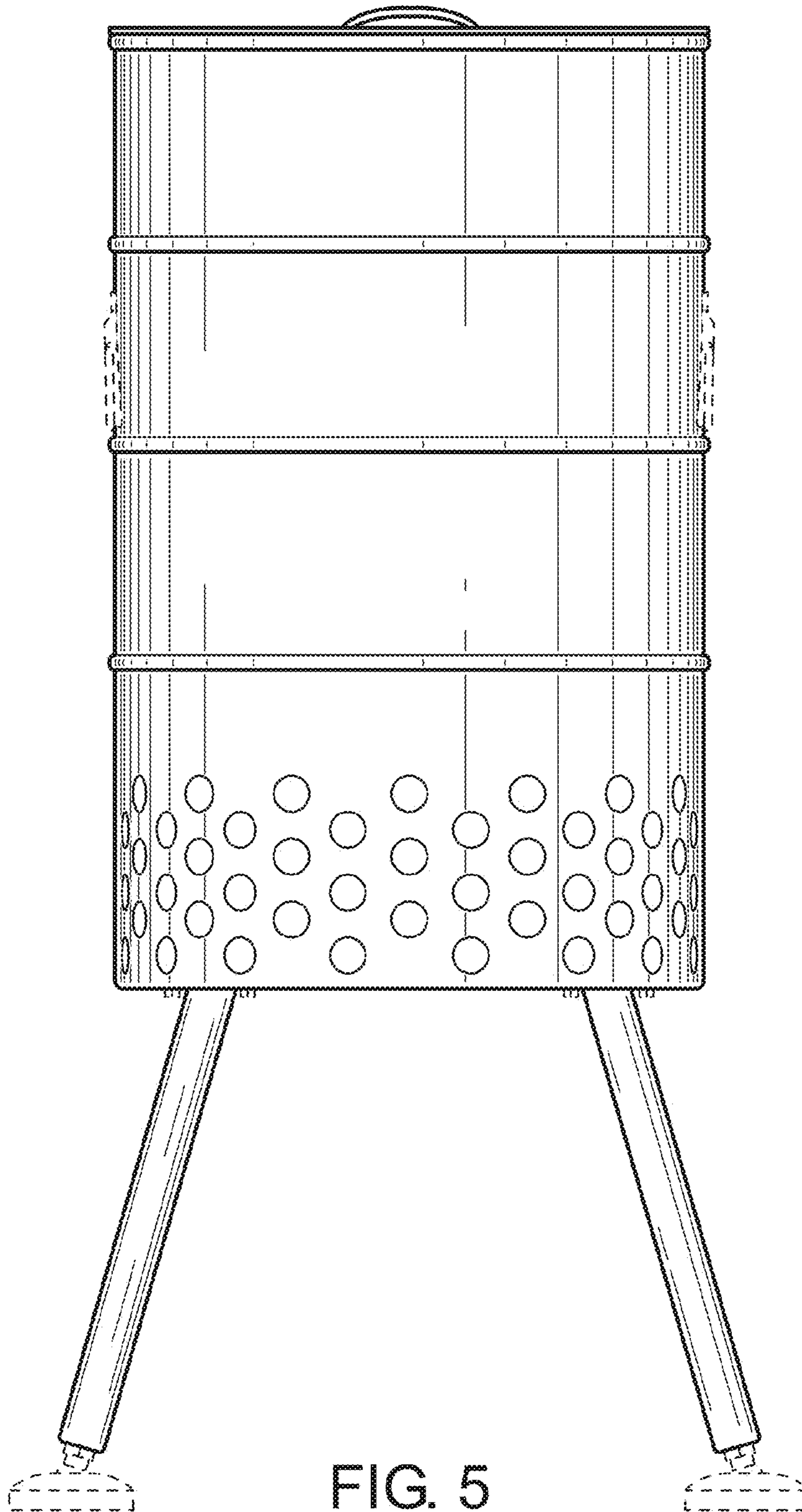


FIG. 5

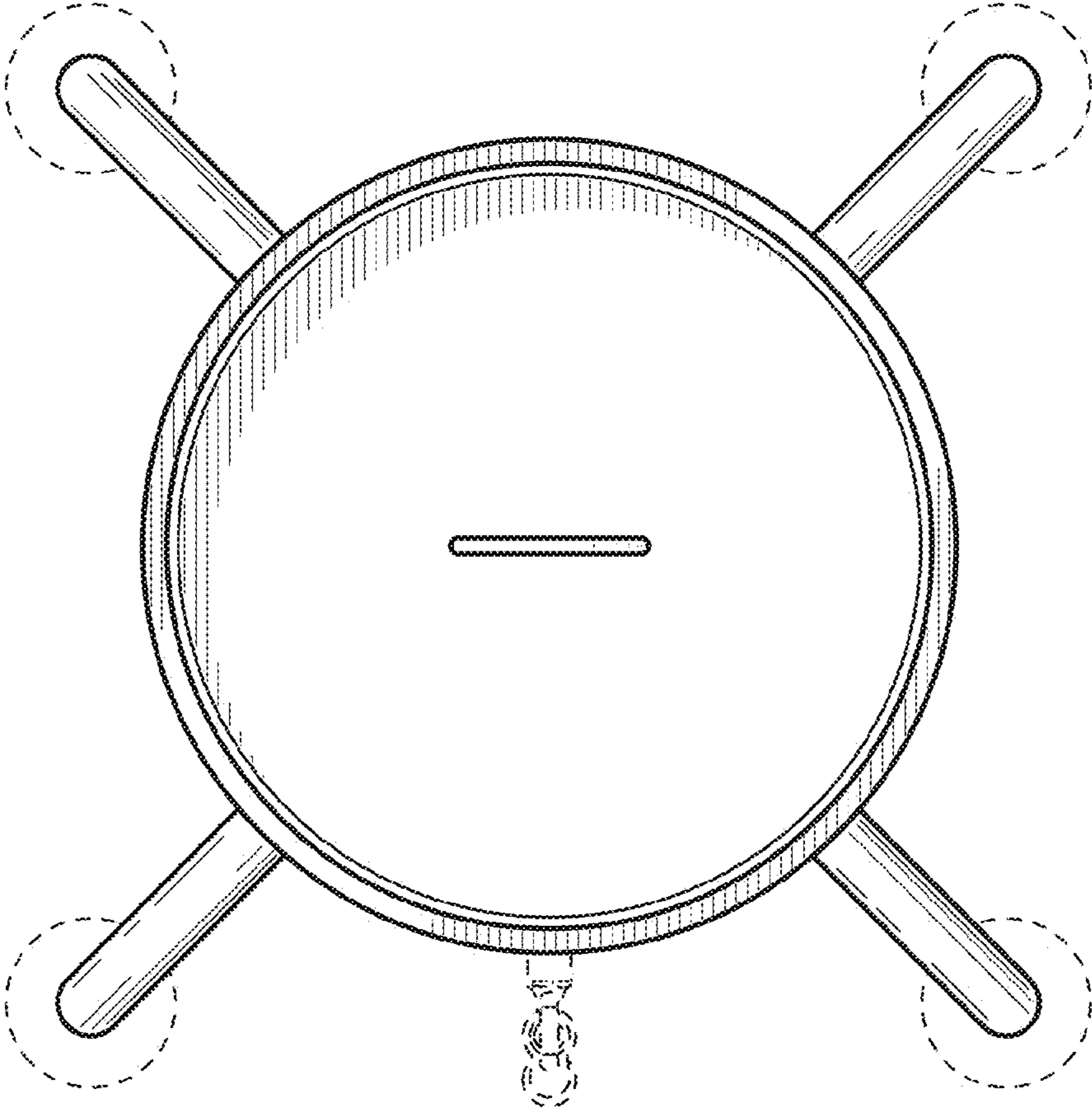


FIG. 6

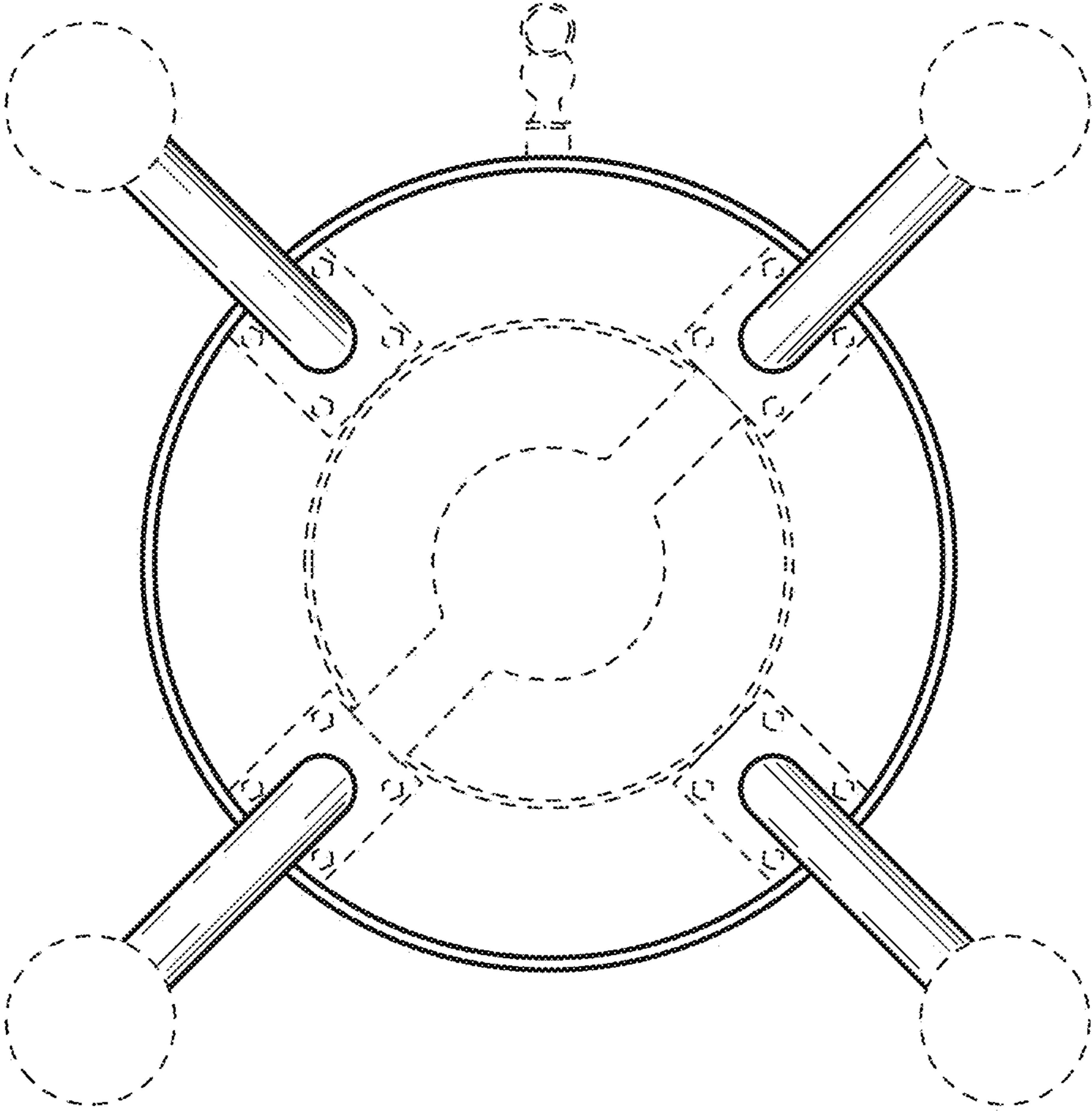


FIG. 7

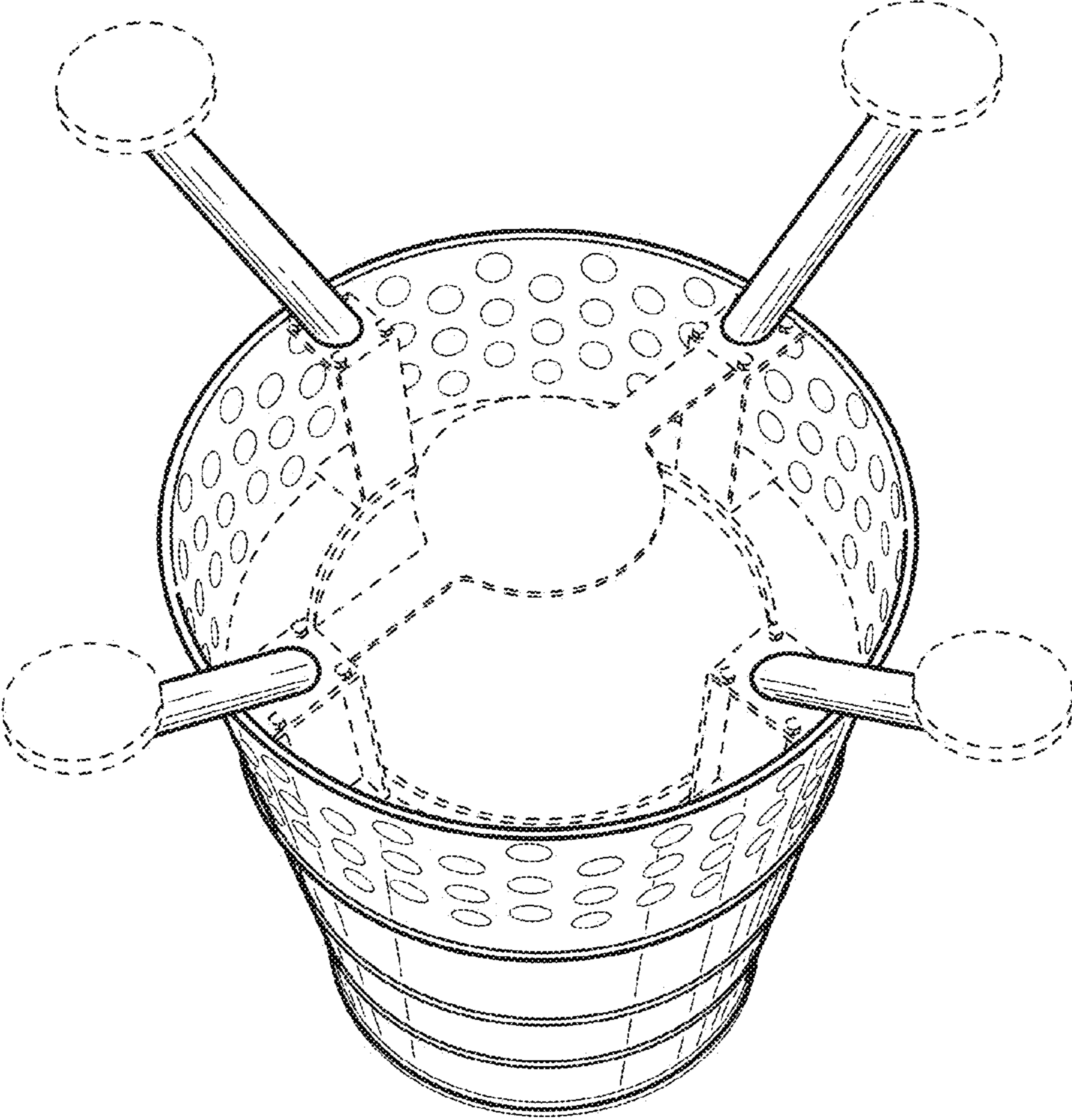


FIG. 8