



US00D75556S

(12) **United States Design Patent**  
**Bandixen et al.**

(10) **Patent No.:** **US D755,556 S**

(45) **Date of Patent:** **\*\* May 10, 2016**

(54) **BEVERAGE DISPENSER**

(56)

**References Cited**

(71) Applicant: **BUNN-O-MATIC CORPORATION**,  
Springfield, IL (US)

(72) Inventors: **Mark W. Bandixen**, Springfield, IL  
(US); **Donald E. Wiley**, Springfield, IL  
(US)

(73) Assignee: **Bunn-O-Matic Corporation**,  
Springfield, IL (US)

(\*\*) Term: **15 Years**

(21) Appl. No.: **29/536,941**

(22) Filed: **Aug. 20, 2015**

U.S. PATENT DOCUMENTS

D244,824	S	*	6/1977	Bluestein	.....	D7/309
D257,732	S	*	12/1980	Klawitter	.....	D21/525
D265,653	S	*	8/1982	Arzberger	.....	D7/311
D267,325	S	*	12/1982	Zimmerman	.....	D7/309
D274,400	S	*	6/1984	Muller	.....	D7/309
D291,766	S	*	9/1987	Steinkamp	.....	D7/309
D571,097	S	*	6/2008	Della Valle	.....	D2/946
D685,600	S	*	7/2013	White	.....	D7/309
D700,607	S	*	3/2014	Cederstrom	.....	D14/420
D702,237	S	*	4/2014	Oberpriller	.....	D14/420
D739,677	S	*	9/2015	Du	.....	D7/309

\* cited by examiner

*Primary Examiner* — Marianne Pandozzi

(74) *Attorney, Agent, or Firm* — Barnes & Thornburg LLP

(57) **CLAIM**

What is claimed is the ornamental design for a beverage dispenser, as shown and described.

**DESCRIPTION**

FIG. 1 is a perspective view of the beverage dispenser; FIG. 2 is a front elevational view thereof; FIG. 3 is a left side elevational view thereof; FIG. 4 is a right side elevational view thereof; FIG. 5 is a rear elevational view thereof; FIG. 6 is a top plan view thereof; and, FIG. 7 is a bottom plan view thereof. The broken lines depict portions of the beverage dispenser that form no part of the claimed design.

**1 Claim, 7 Drawing Sheets**

**Related U.S. Application Data**

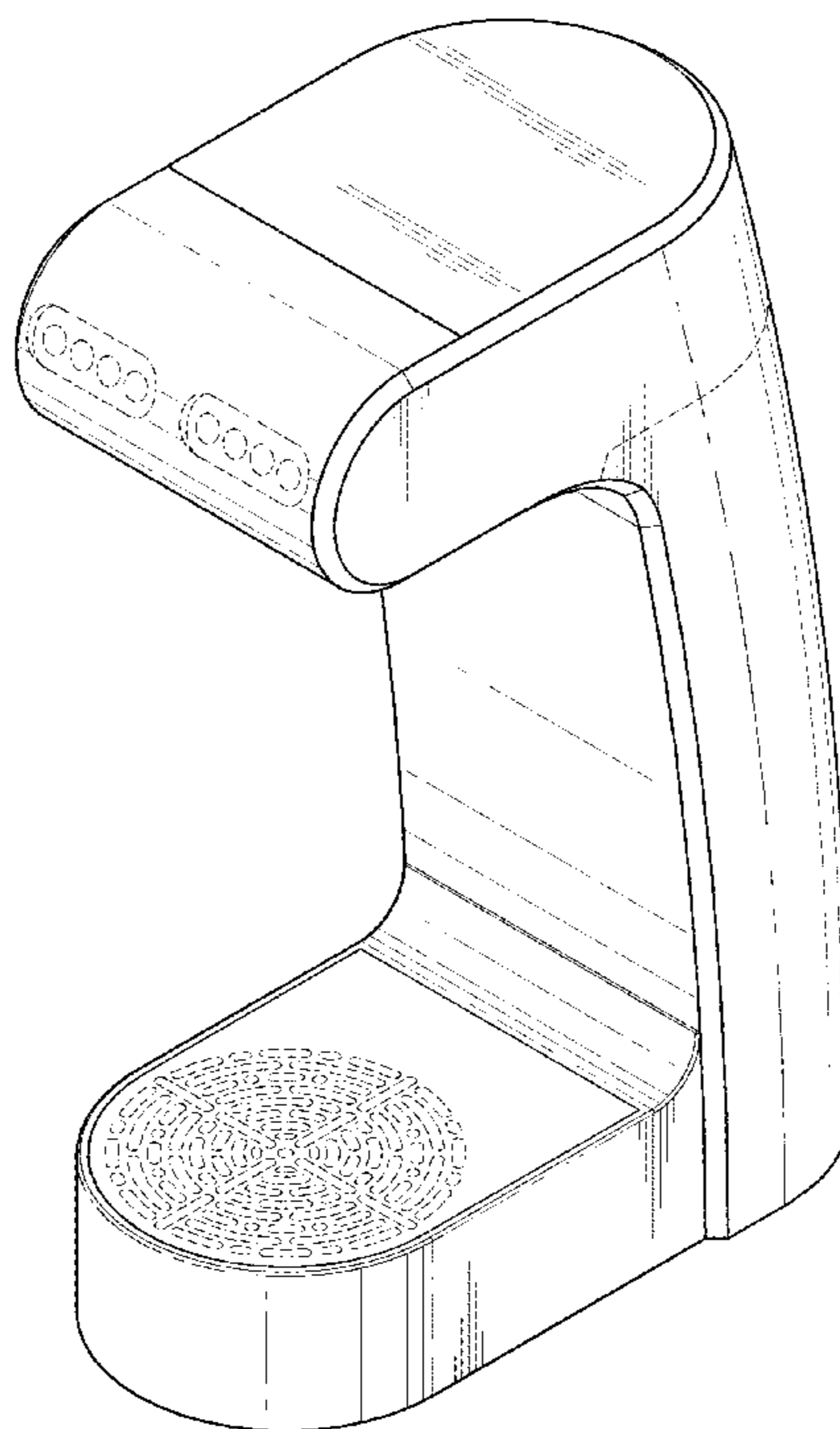
(63) Continuation-in-part of application No. 29/523,217, filed on Apr. 7, 2015.

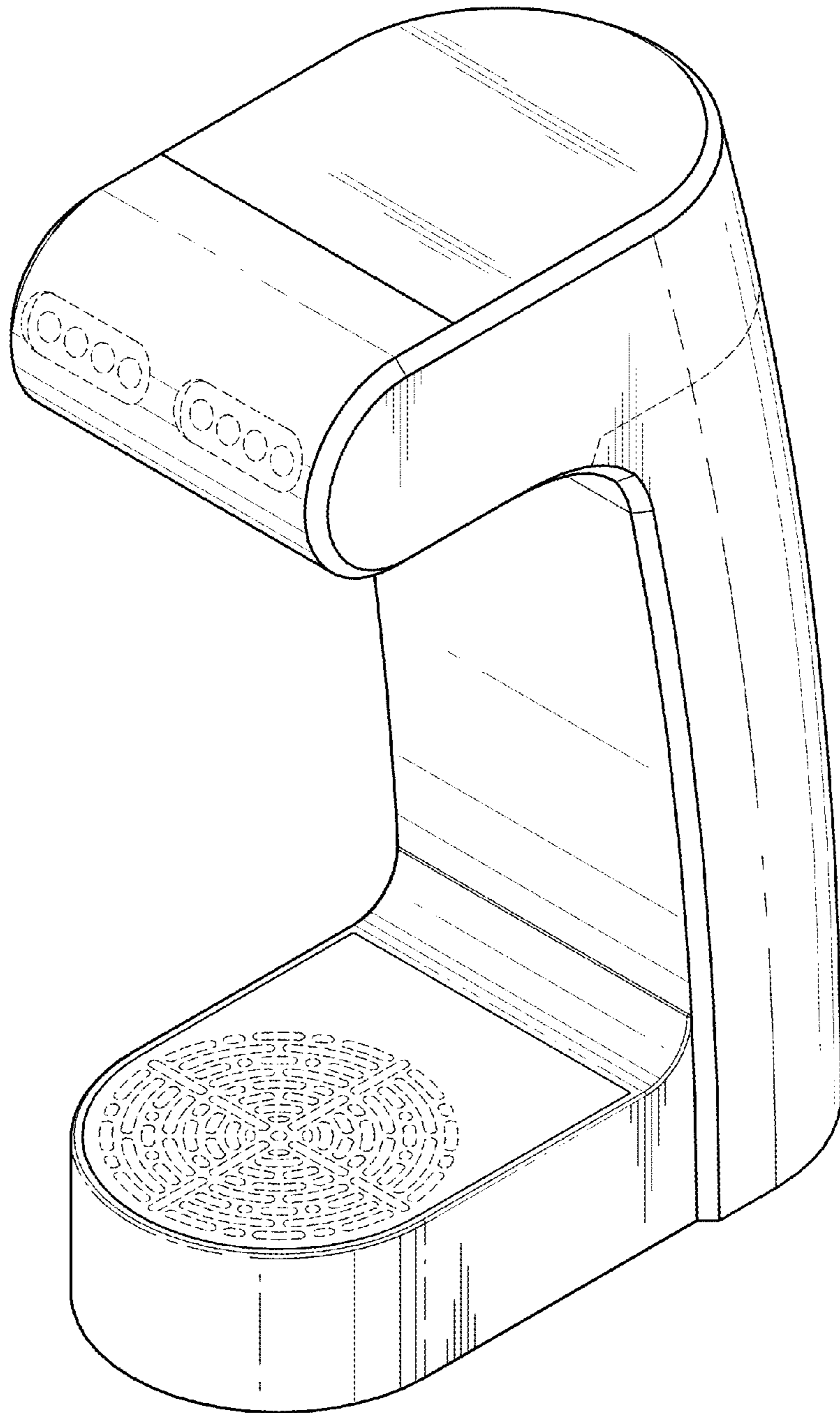
(51) **LOC (10) Cl.** ..... **07-01**

(52) **U.S. Cl.**  
USPC ..... **D7/306; D7/311**

(58) **Field of Classification Search**  
USPC ..... D7/306-311, 305, 300; 99/279, 284,  
99/290, 280, 299, 307, 297  
CPC ..... A47J 31/44; A47J 31/00; A47J 31/46;  
A47J 31/10

See application file for complete search history.





*FIG. 1*

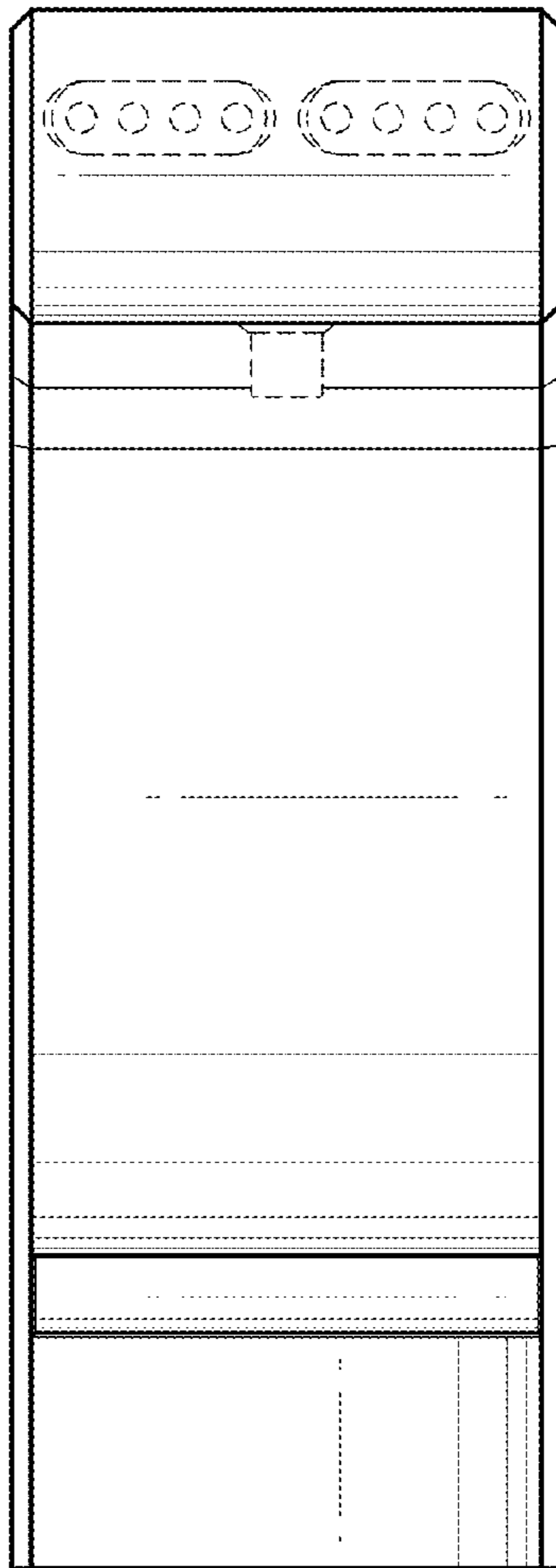
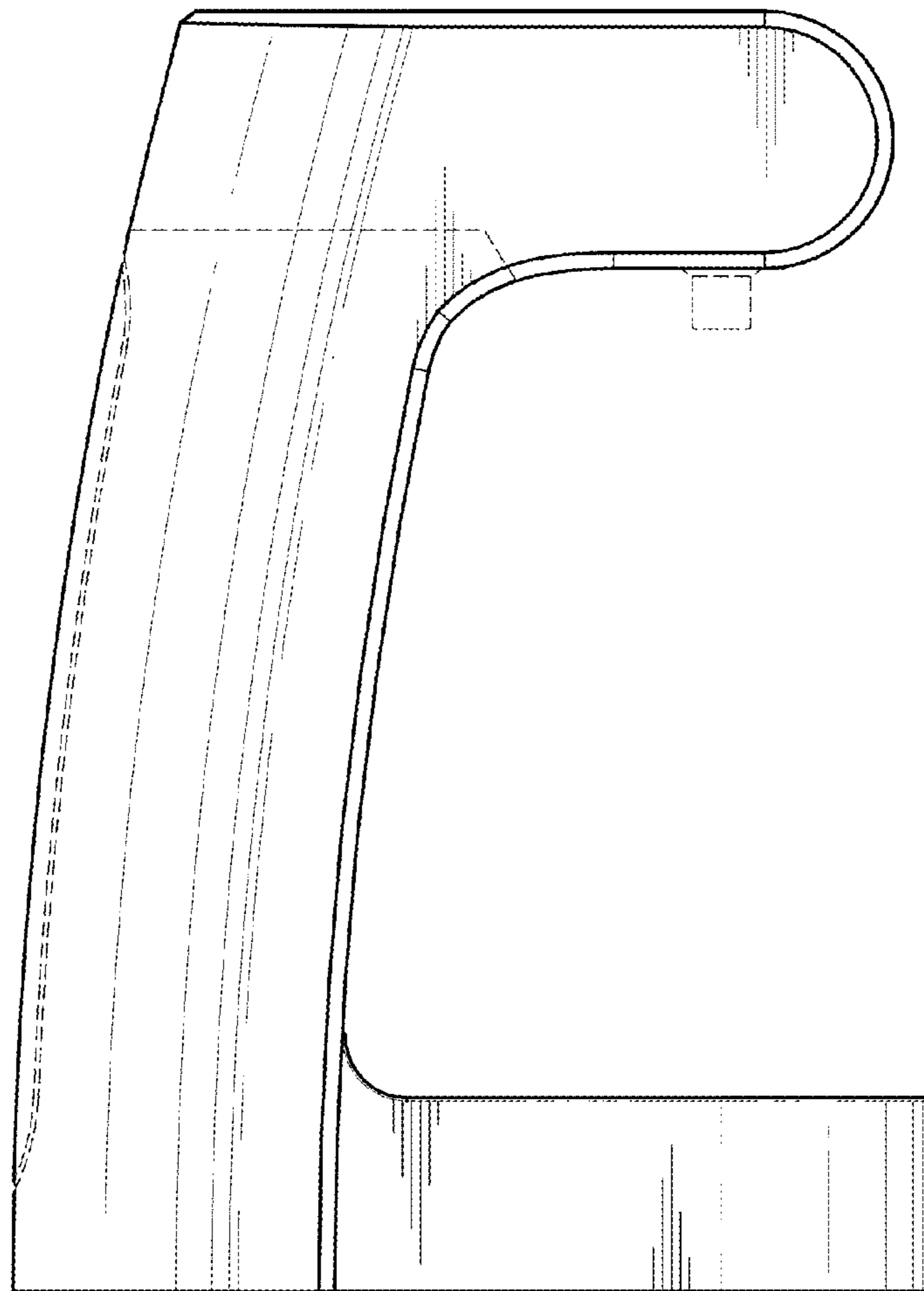
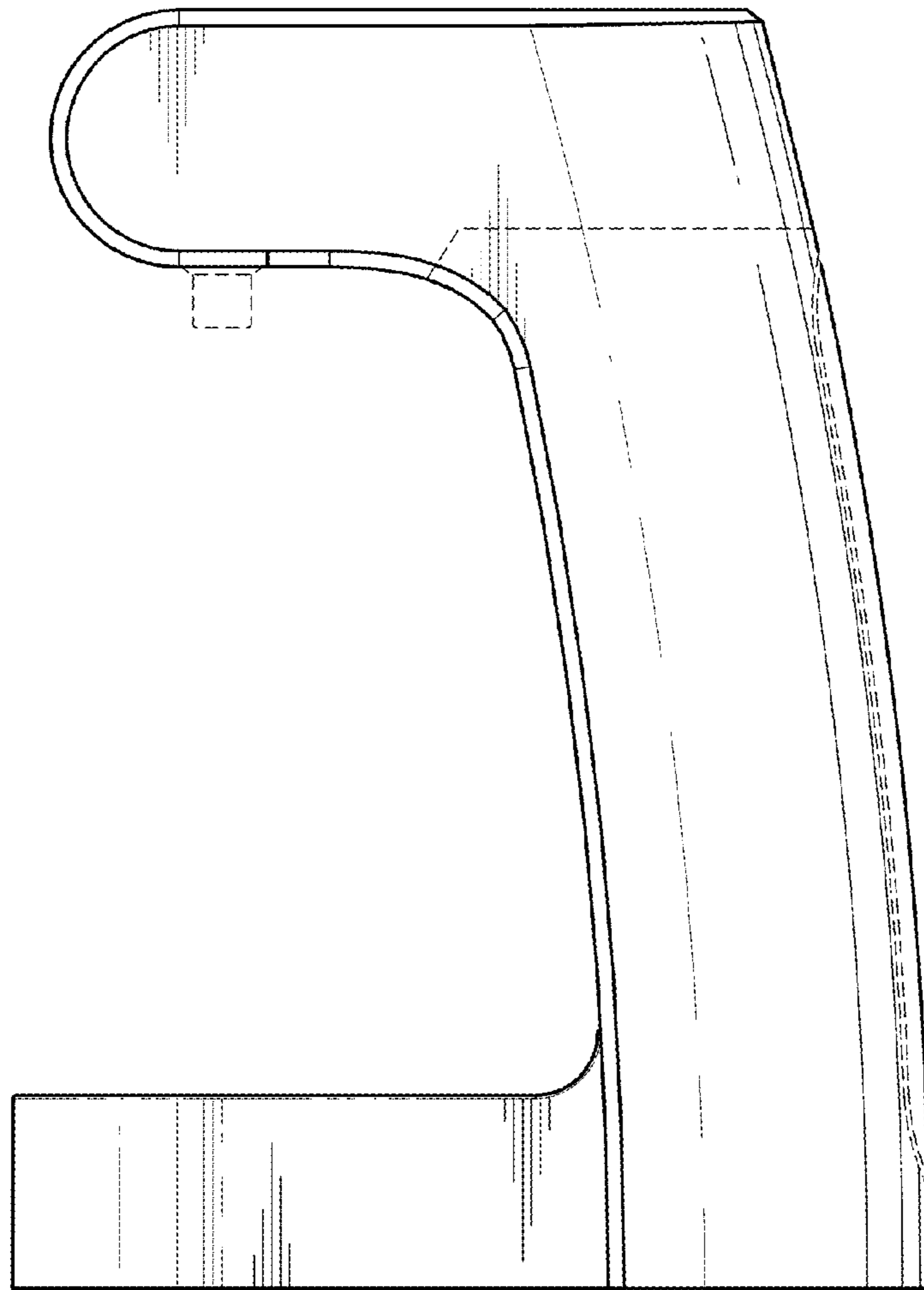


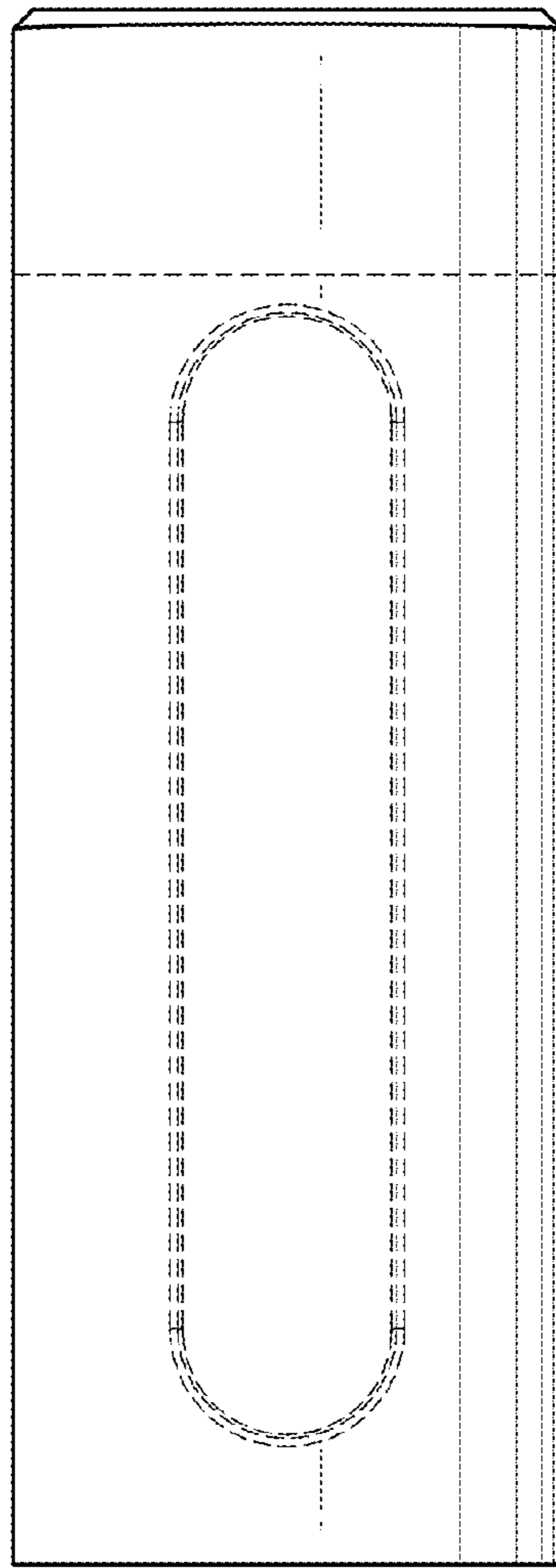
FIG. 2



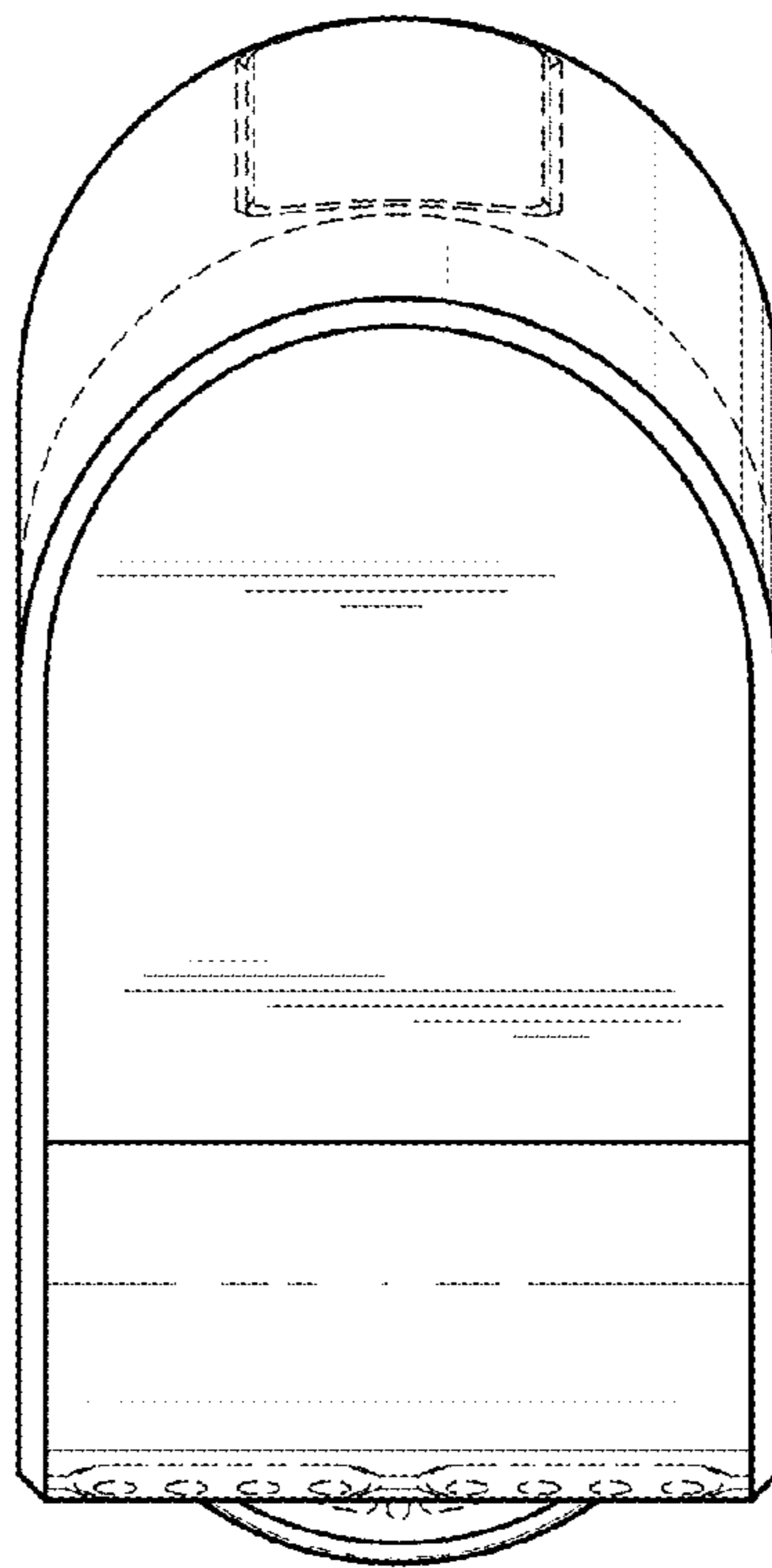
*FIG. 3*



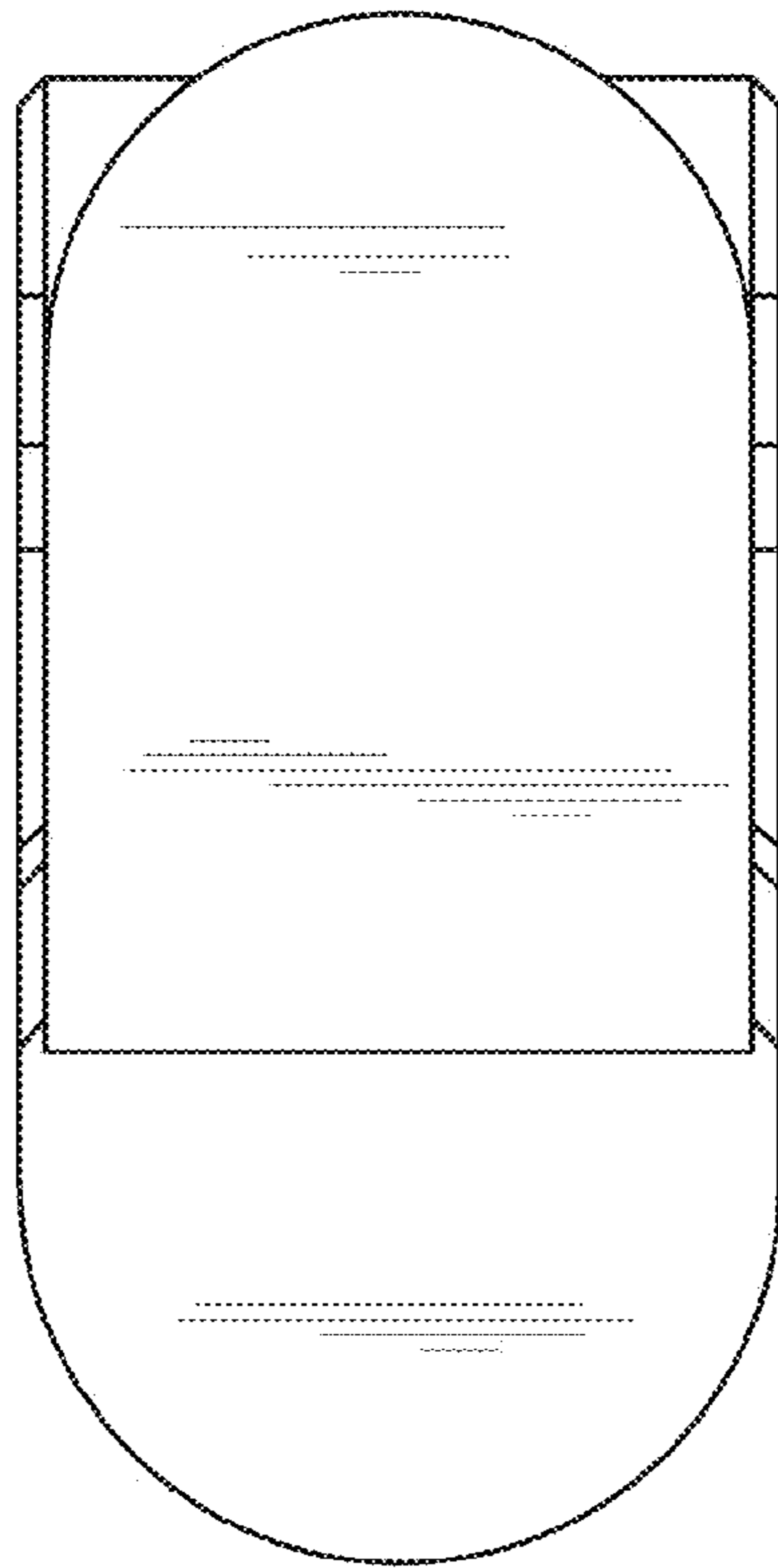
*FIG. 4*



*FIG. 5*



*FIG. 6*



*FIG. 7*