



US00D75555S

(12) **United States Design Patent**  
**Struzka**

(10) **Patent No.:** **US D755,555 S**  
(45) **Date of Patent:** **\*\* May 10, 2016**

(54) **BEVERAGE DISPENSER**

(71) Applicant: **Societe des Produits Nestle S.A., Vevey**  
(CH)

(72) Inventor: **Pierre Struzka, La Chaux-de-Fonds**  
(CH)

(73) Assignee: **Societe des Produits Nestle S.A., Vevey**  
(CH)

(\*\*) Term: **14 Years**

(21) Appl. No.: **29/513,224**

(22) Filed: **Dec. 29, 2014**

(30) **Foreign Application Priority Data**

Jul. 2, 2014 (CH) ..... 140782

(51) **LOC (10) Cl.** ..... **07-01**

(52) **U.S. Cl.**  
USPC ..... **D7/306; D7/311**

(58) **Field of Classification Search**  
USPC ..... D7/306-311, 305, 300, 397, 398, 399,  
D7/400; 99/279, 284, 290, 280, 299, 307,  
99/297, 295, 323, 275, 281, 300, 302 R;  
426/433; D20/4, 5, 1  
CPC ..... A47J 31/44; A47J 31/00; A47J 31/46;  
A47J 31/10; A47J 31/56; A47J 31/42; A47J  
431/4482; A47J 27/2105; A47J 31/4403;  
A47J 31/32; A47J 31/4457; B65D 81/3266  
See application file for complete search history.

(56) **References Cited**

U.S. PATENT DOCUMENTS

4,760,774 A *	8/1988	Lin	.....	A47J 31/30
				99/281
D562,050 S *	2/2008	Alferink	.....	D7/306
D563,712 S *	3/2008	Alferink	.....	D7/306
D623,463 S *	9/2010	Struzka	.....	D7/306
D656,772 S *	4/2012	Regamey	.....	D7/306

\* cited by examiner

*Primary Examiner* — Marianne Pandozzi

(74) *Attorney, Agent, or Firm* — K&L Gates LLP

(57) **CLAIM**

The ornamental design for a beverage dispenser, as shown and described.

**DESCRIPTION**

FIG. 1 is a front perspective view of a beverage dispenser showing my new design;  
FIG. 2 is a front view thereof;  
FIG. 3 is a rear view thereof;  
FIG. 4 is a left side view thereof;  
FIG. 5 is a right side view thereof;  
FIG. 6 is a top plan view thereof; and,  
FIG. 7 is a bottom plan view thereof.  
The broken lines depict portion of the beverage dispenser that form no part of the claimed design.

**1 Claim, 7 Drawing Sheets**

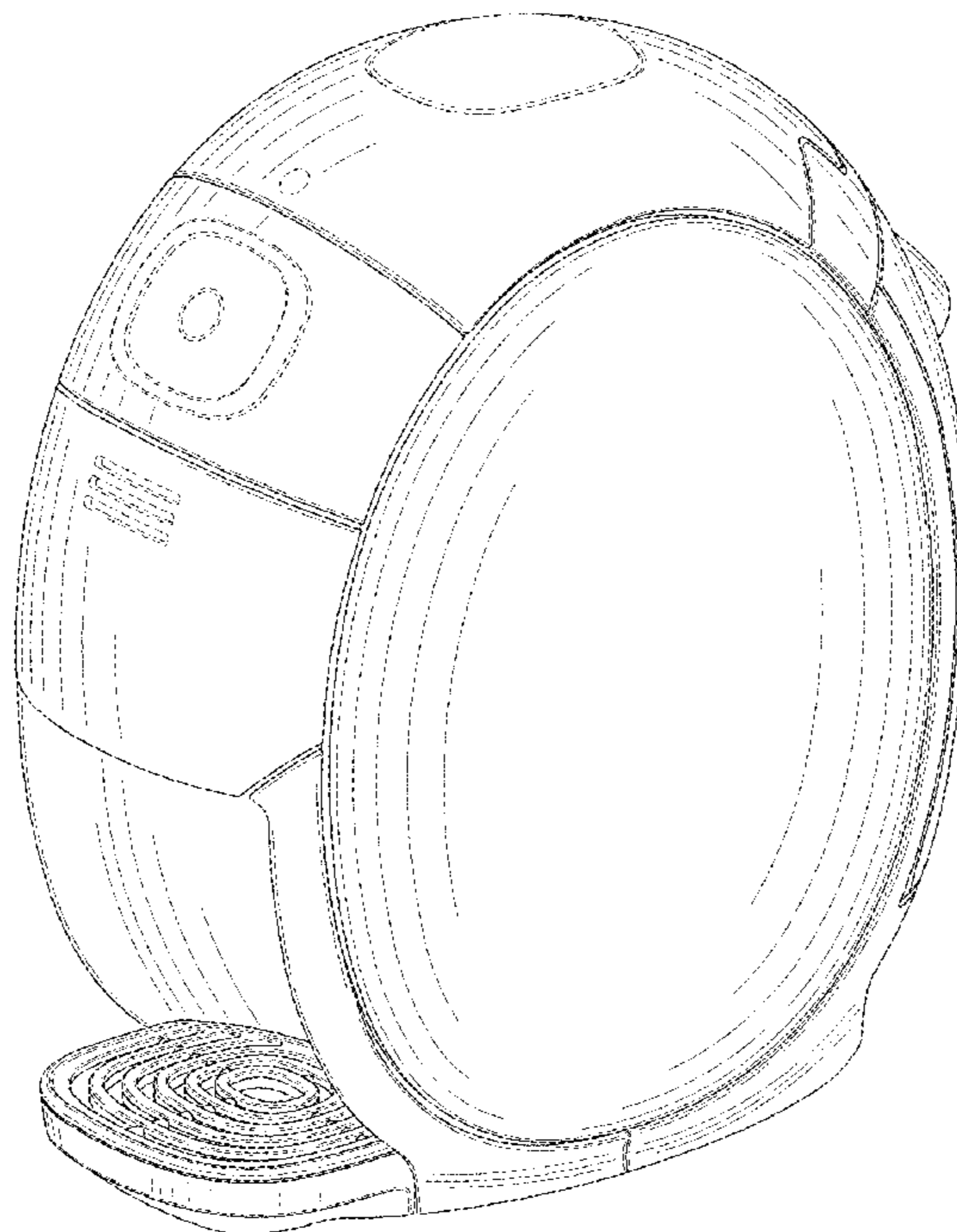


FIG. 1

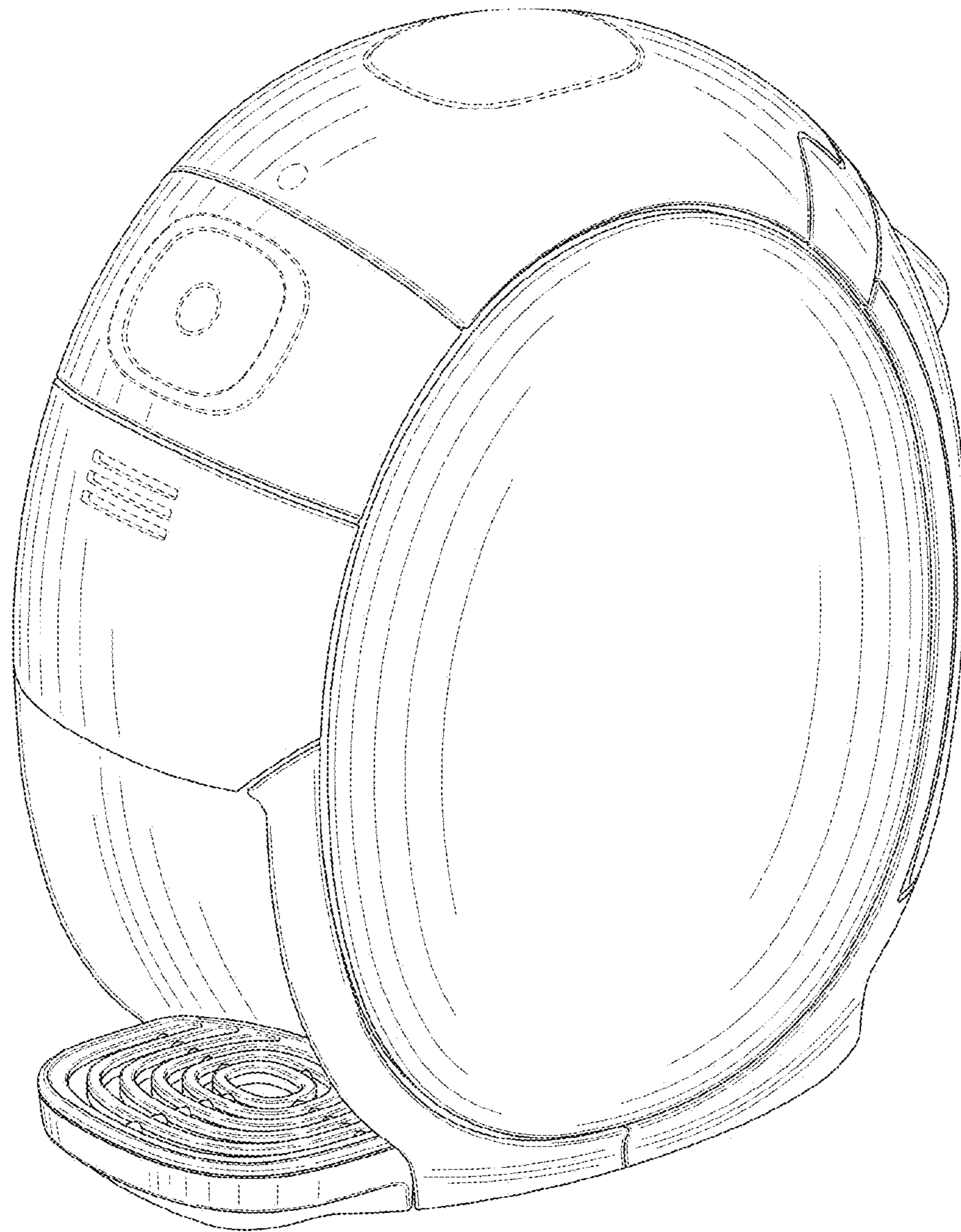


FIG. 2

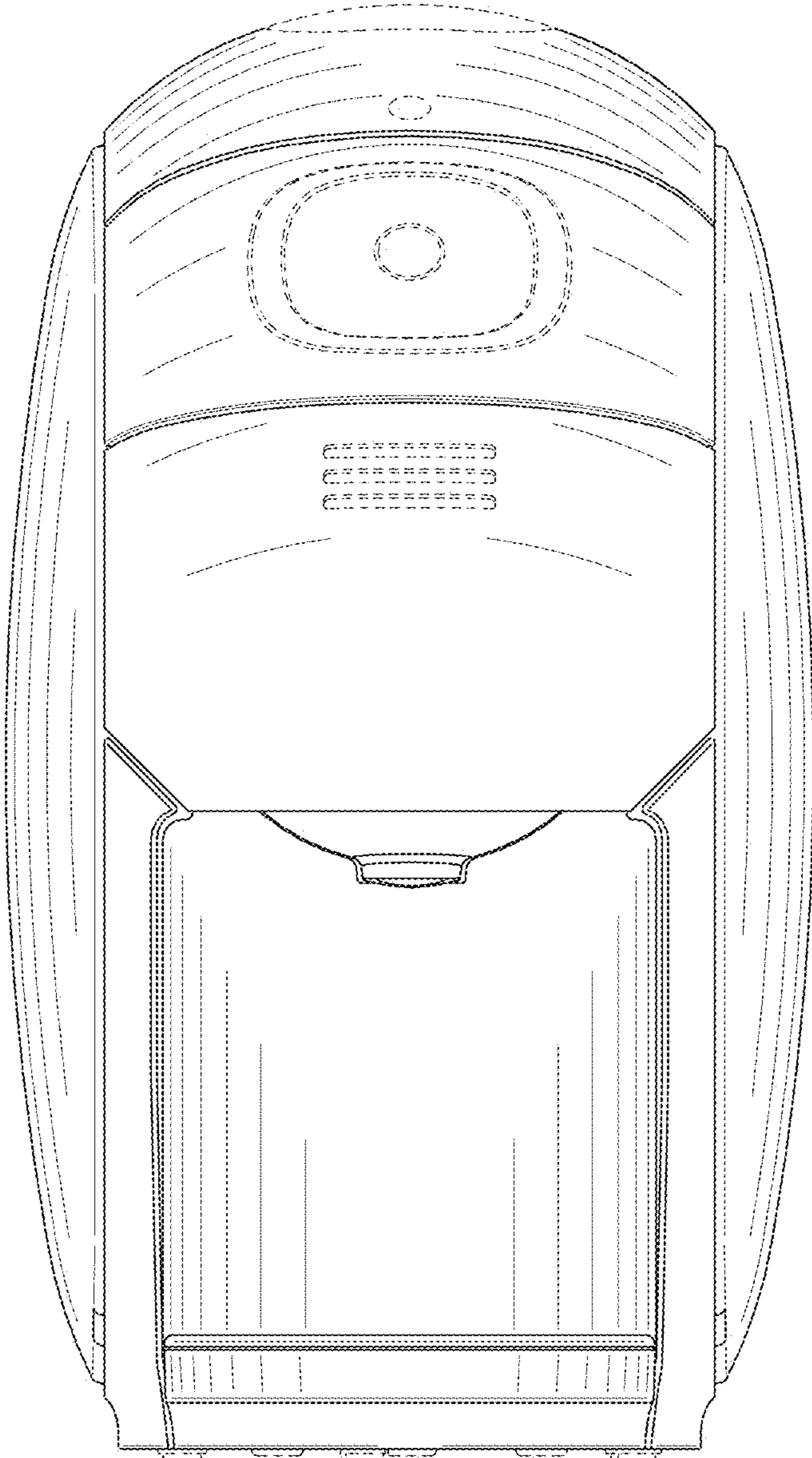




FIG. 3

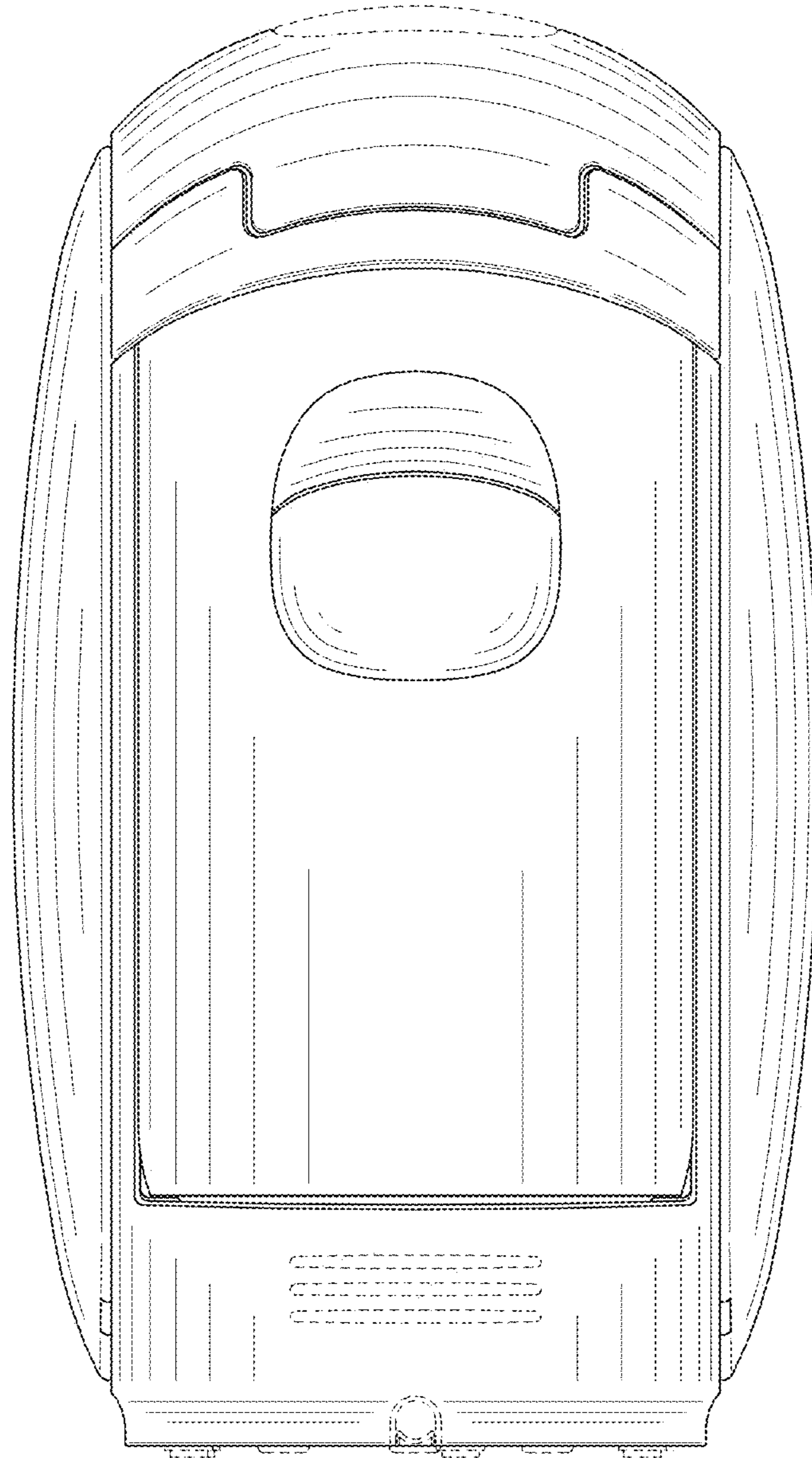


FIG. 4

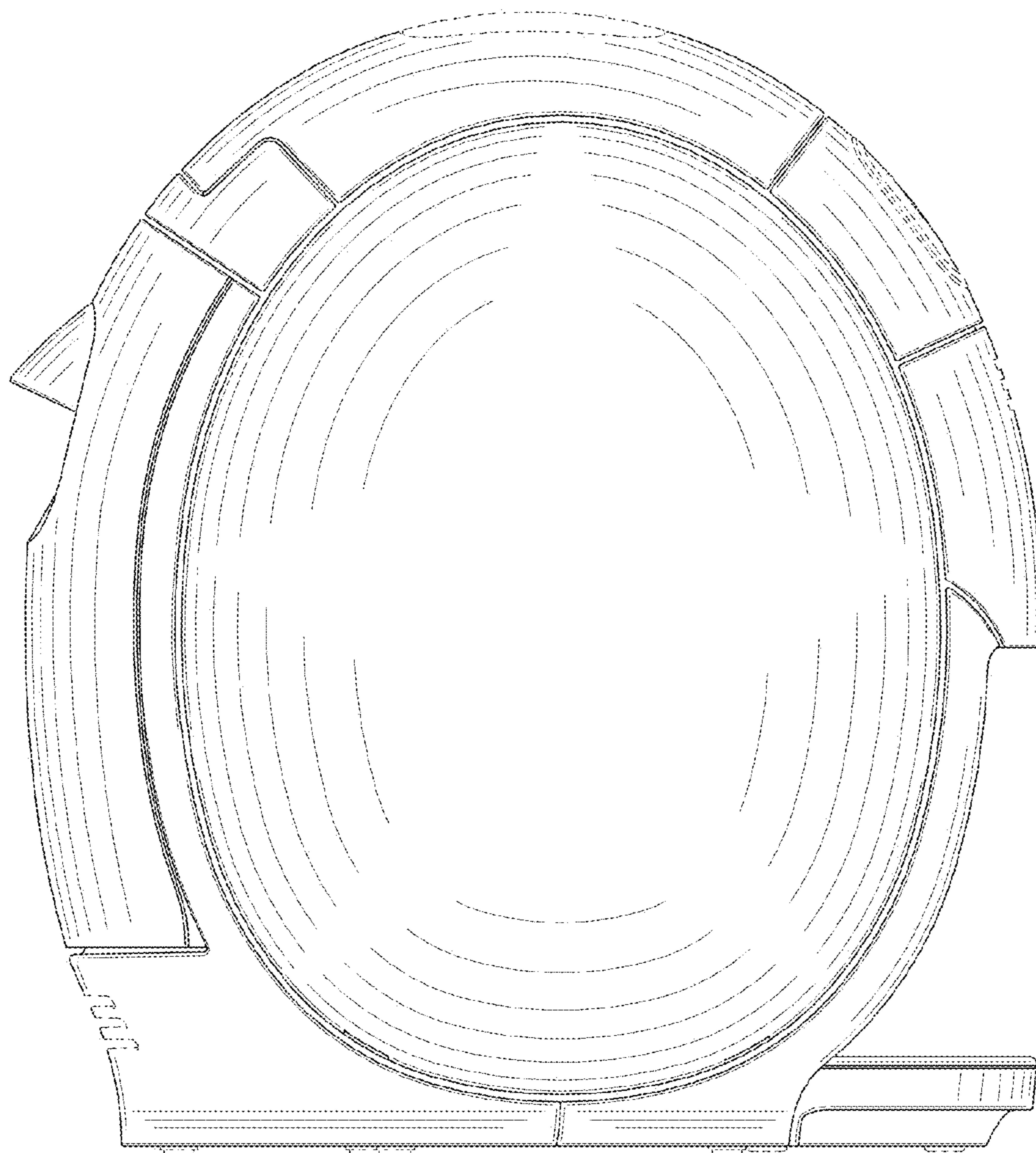


FIG. 5

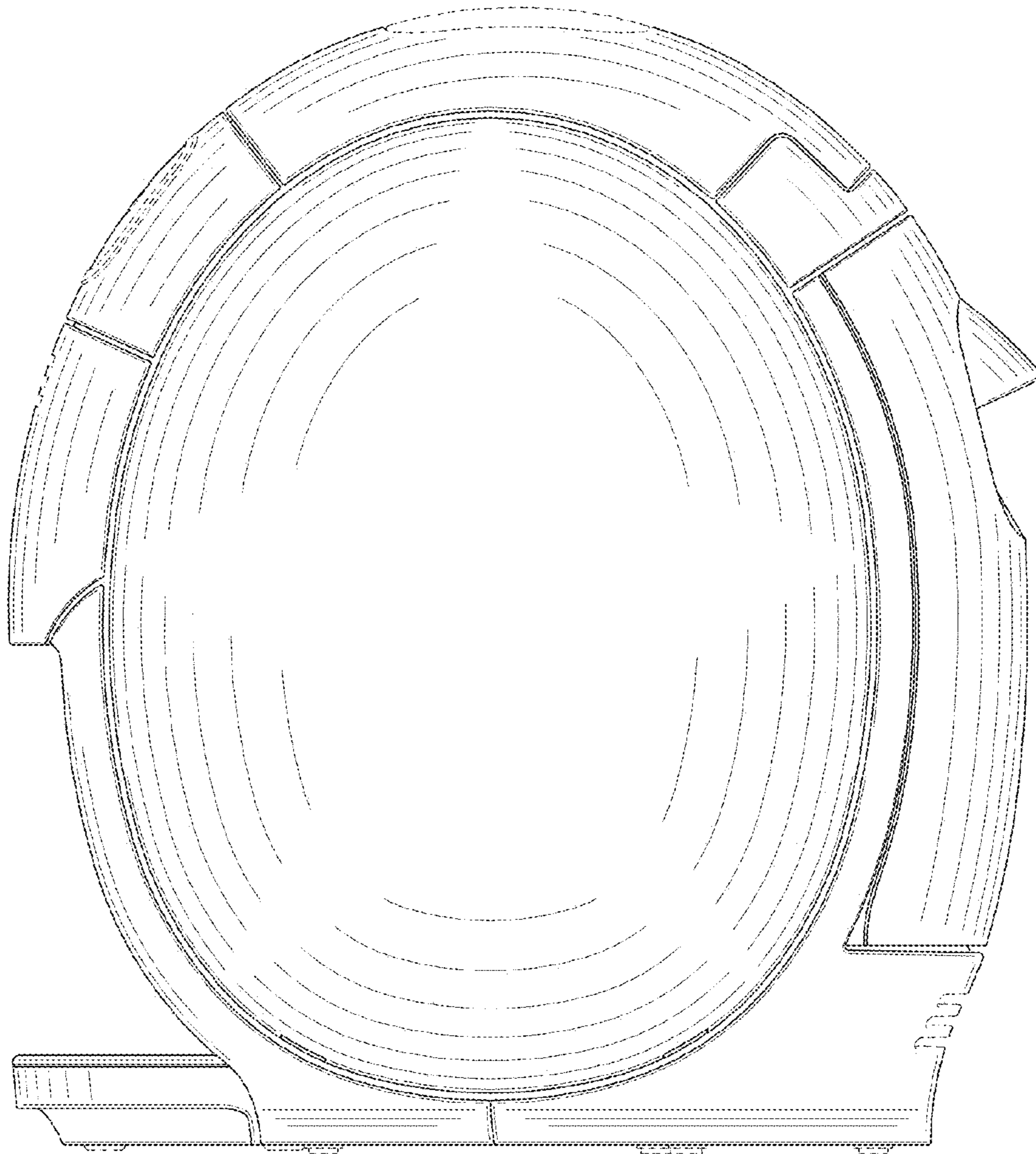


FIG. 6

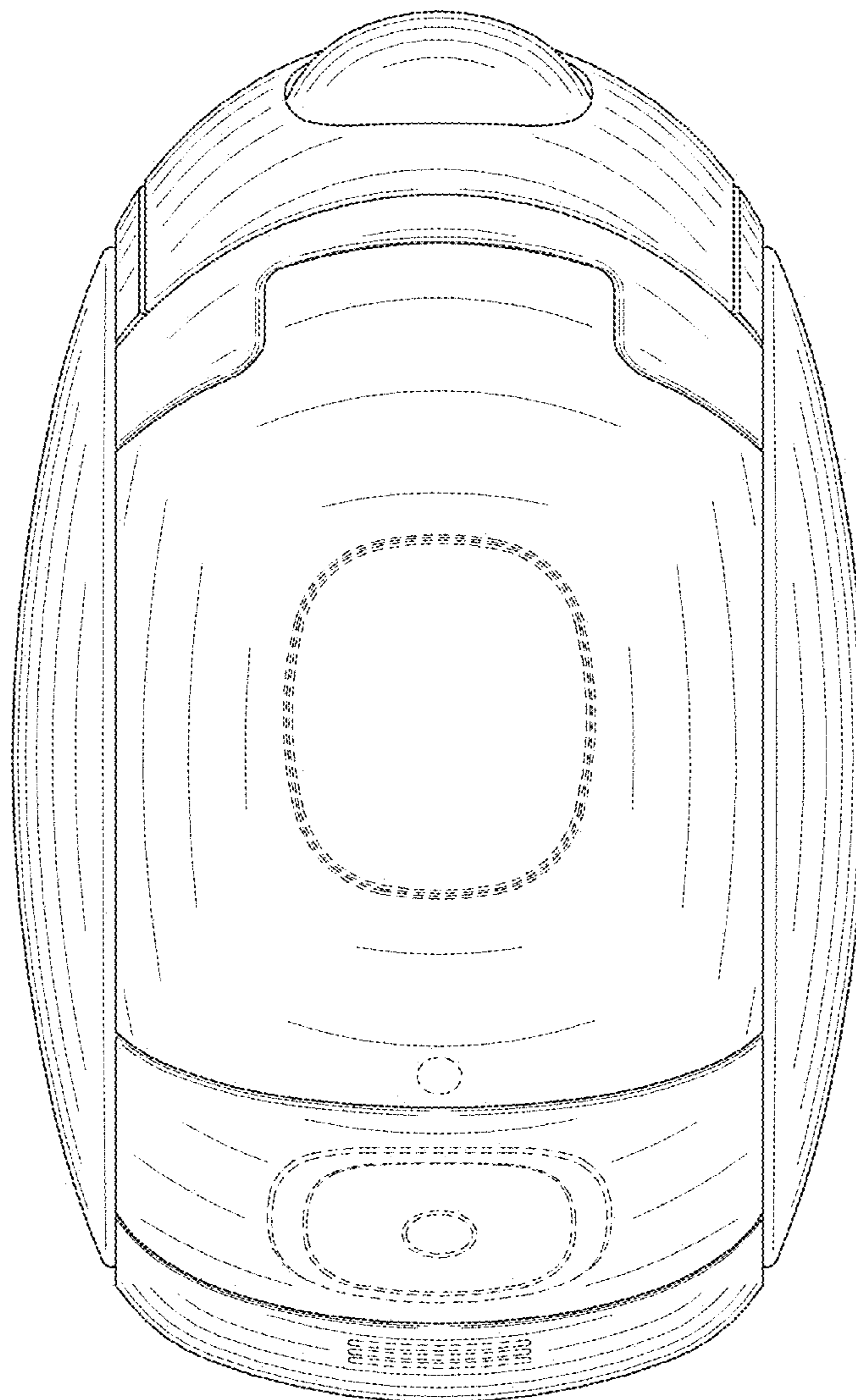




FIG. 7

