



US00D75554S

(12) **United States Design Patent**  
**Lazaris et al.**

(10) **Patent No.:** **US D755,554 S**

(45) **Date of Patent:** **\*\* May 10, 2016**

(54) **BEVERAGE EXTRACTOR**

(71) Applicant: **Coravin, Inc.**, Burlington, MA (US)

(72) Inventors: **Nicholas G. Lazaris**, Newton, MA (US);  
**Adam Brierley Craft**, Mansfield, MA (US);  
**Mike Rider**, Lowell, MA (US);  
**Otto Deruntz**, Dunstable, MA (US)

(73) Assignee: **Coravin, Inc.**, Burlington, MA (US)

(\*\*) Term: **14 Years**

(21) Appl. No.: **29/502,027**

(22) Filed: **Sep. 11, 2014**

**Related U.S. Application Data**

(60) Division of application No. 29/448,212, filed on Mar. 11, 2013, now Pat. No. Des. 717,578, which is a continuation-in-part of application No. 29/422,640, filed on May 22, 2012, now Pat. No. Des. 689,353.

(51) **LOC (10) Cl.** ..... **07-04**

(52) **U.S. Cl.**  
USPC ..... **D7/300**; D8/42

(58) **Field of Classification Search**  
USPC ..... D8/16, 18, 33-43, 98, 104, 64, 67, 69,  
D8/107, 310; D7/300  
CPC ..... B67B 7/00; B67B 7/14; B67B 7/16;  
B67B 7/24; B67B 7/30; B67B 7/32; B67B  
7/34; B67B 7/36; B67B 7/38; B25G 1/105  
See application file for complete search history.

(56) **References Cited**

U.S. PATENT DOCUMENTS

D276,788	S	*	12/1984	Ravreby	.....	D8/42
D285,898	S	*	9/1986	Stowell	.....	D8/36
D296,979	S	*	8/1988	Yuen	.....	D8/36
D309,085	S	*	7/1990	Usbeck	.....	D8/33
D526,182	S	*	8/2006	Jackson	.....	D8/107
D527,607	S	*	9/2006	Jackson	.....	D8/107

\* cited by examiner

*Primary Examiner* — Elizabeth Albert

(74) *Attorney, Agent, or Firm* — Wolf, Greenfield & Sacks, P.C.

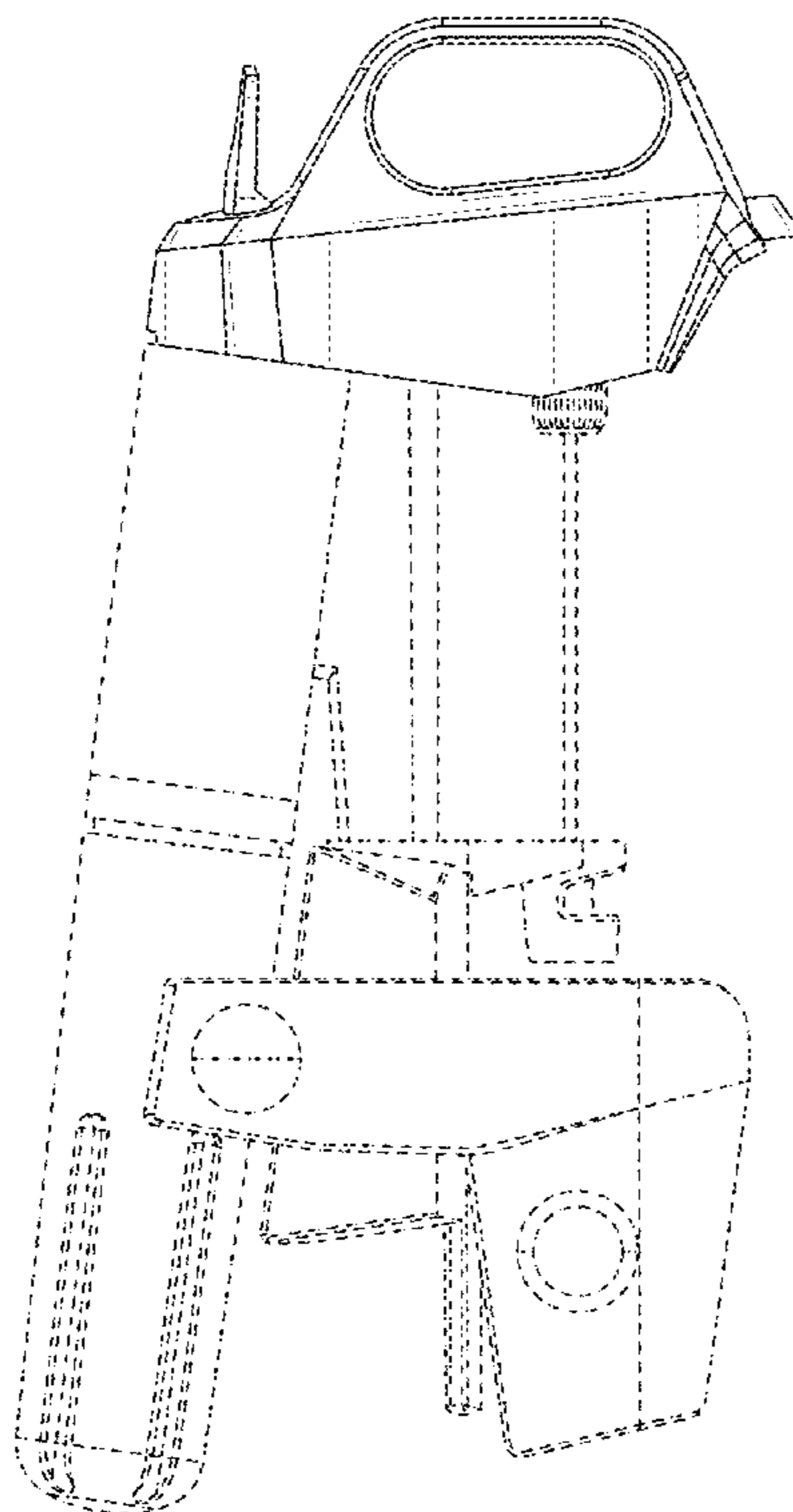
(57) **CLAIM**

The ornamental design for beverage extractor, as shown and described.

**DESCRIPTION**

FIG. 1 is a left side view of the beverage extractor showing our new design;  
FIG. 2 is a front view of FIG. 1;  
FIG. 3 is a rear view of FIG. 1;  
FIG. 4 is a right side view of FIG. 1;  
FIG. 5 is a top view of FIG. 1;  
FIG. 6 is a bottom view of FIG. 1;  
FIG. 7 is a left front perspective of FIG. 1; and,  
FIG. 8 is a left rear perspective view of FIG. 1.  
The features shown in broken lines are included to show portions that form no part of the claimed design.

**1 Claim, 7 Drawing Sheets**



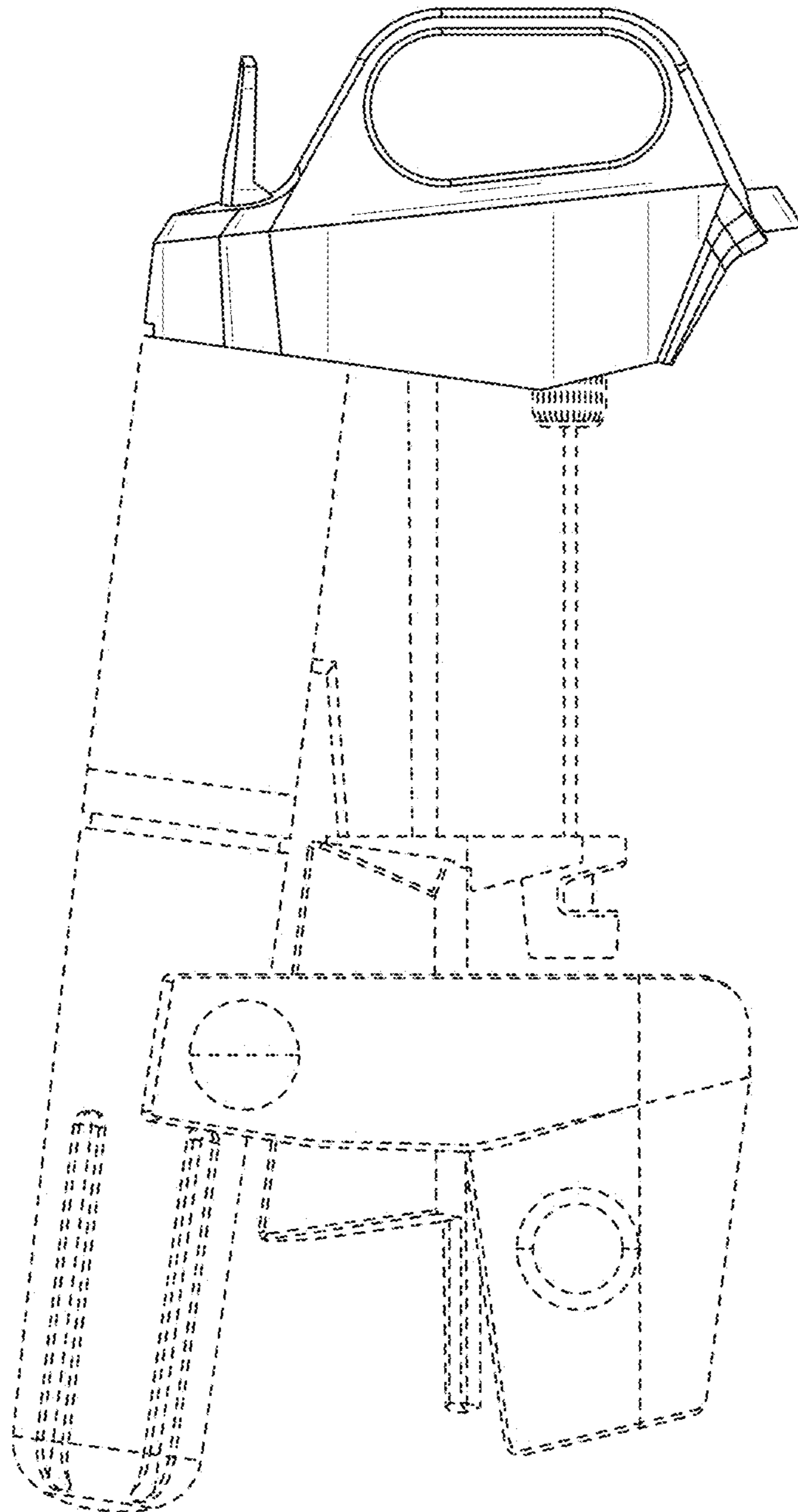


FIG. 1

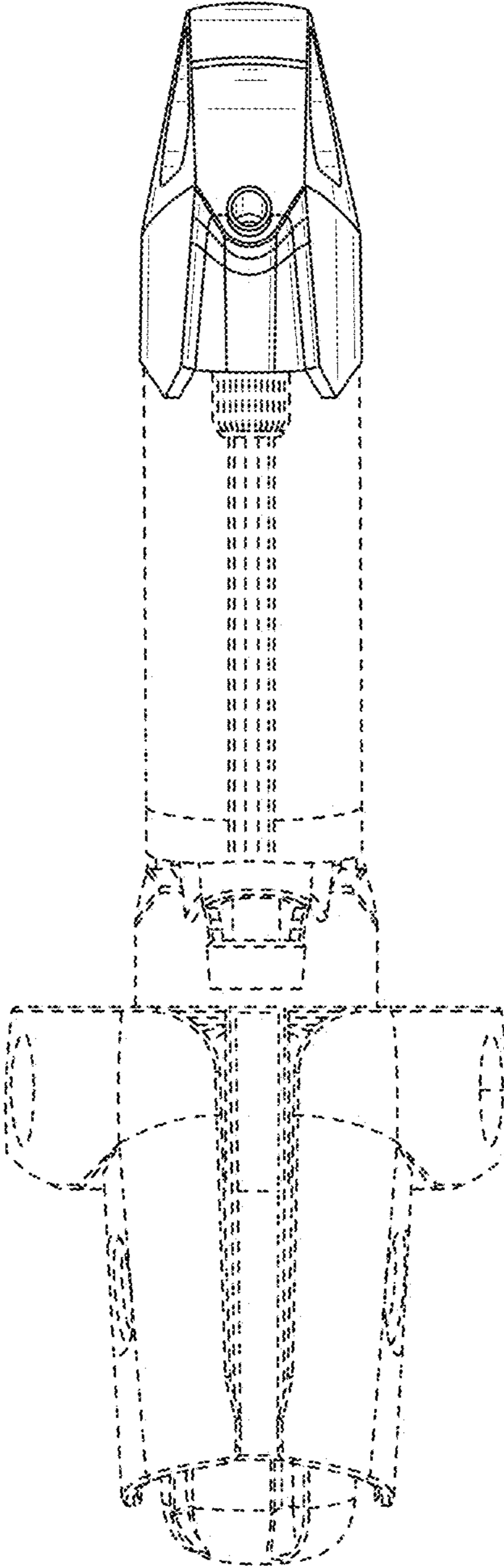


FIG. 2

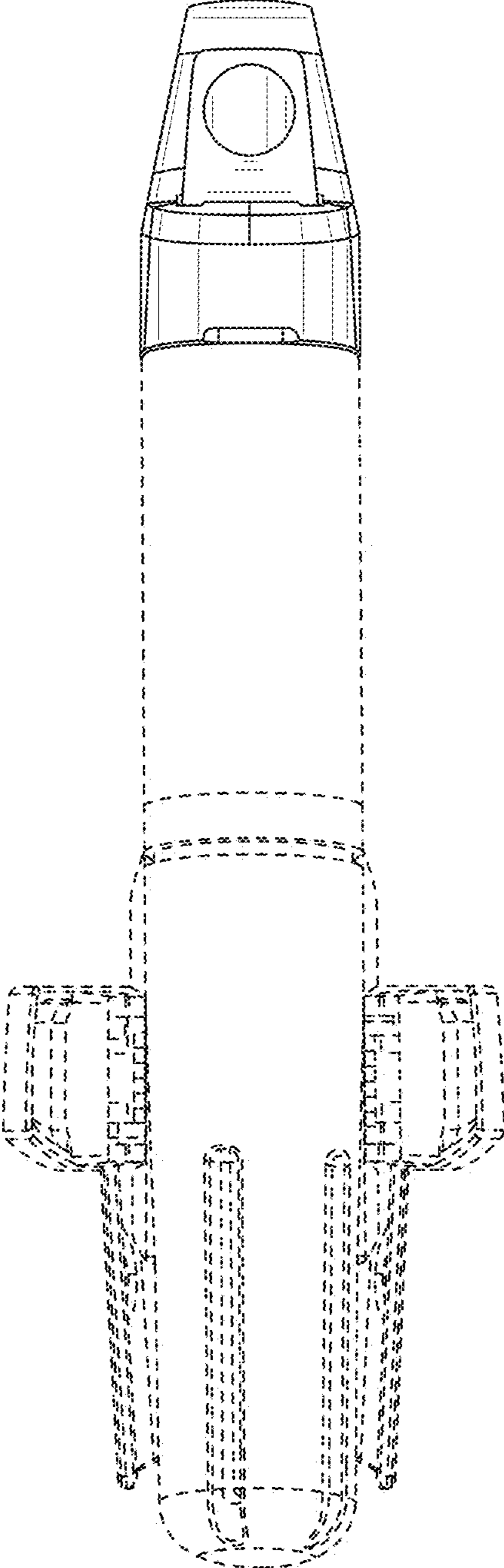


FIG. 3

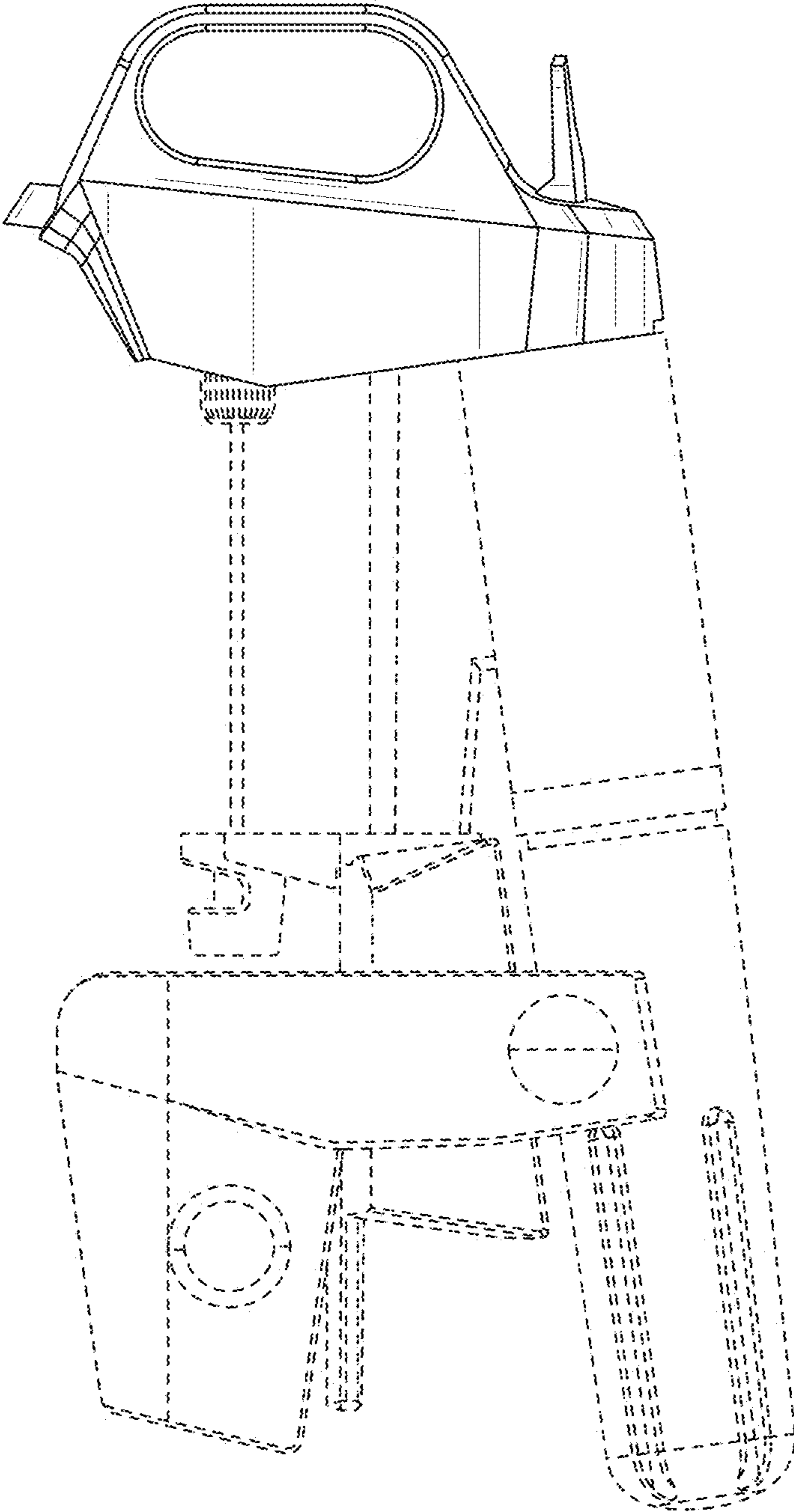


FIG. 4



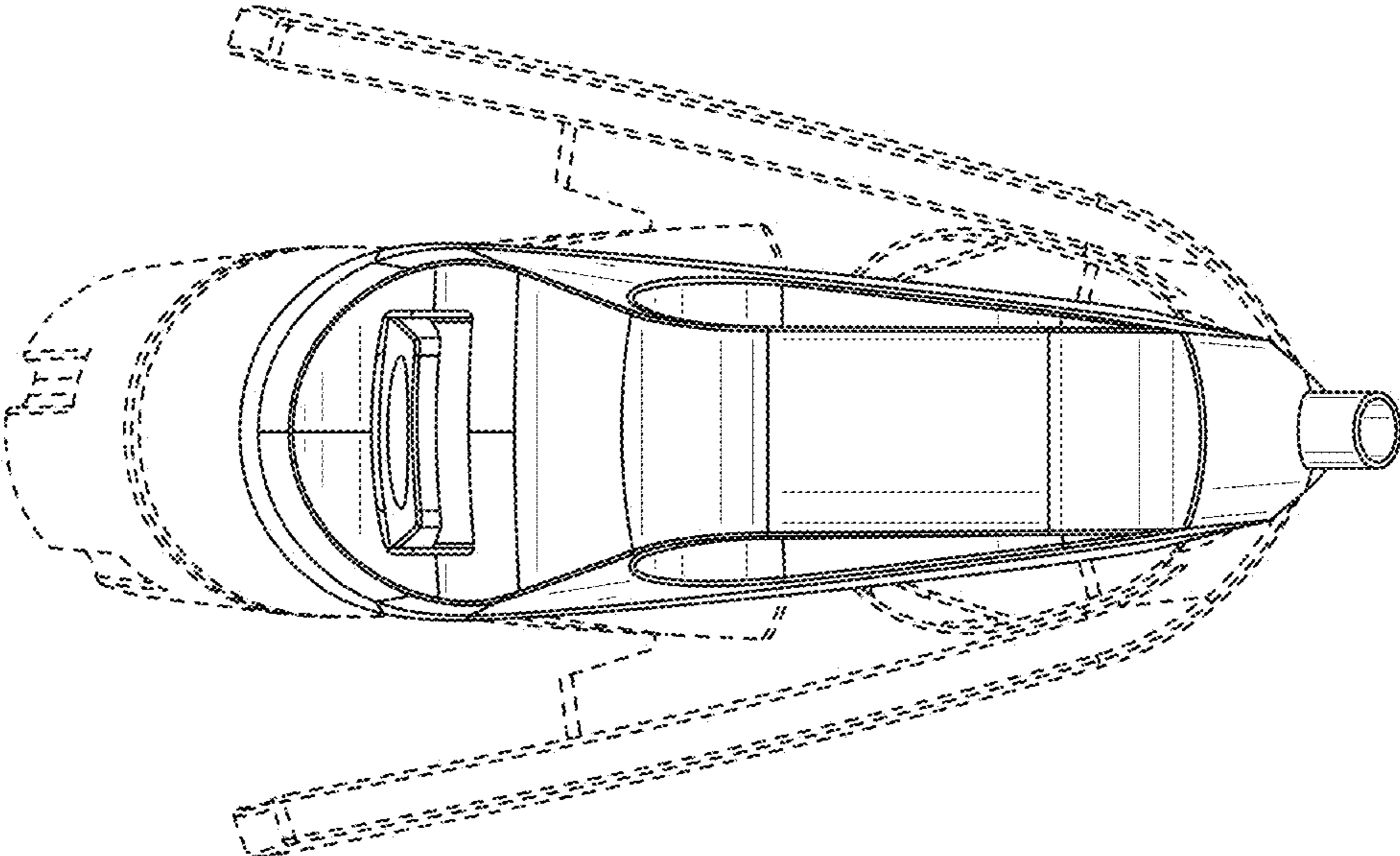


FIG. 5

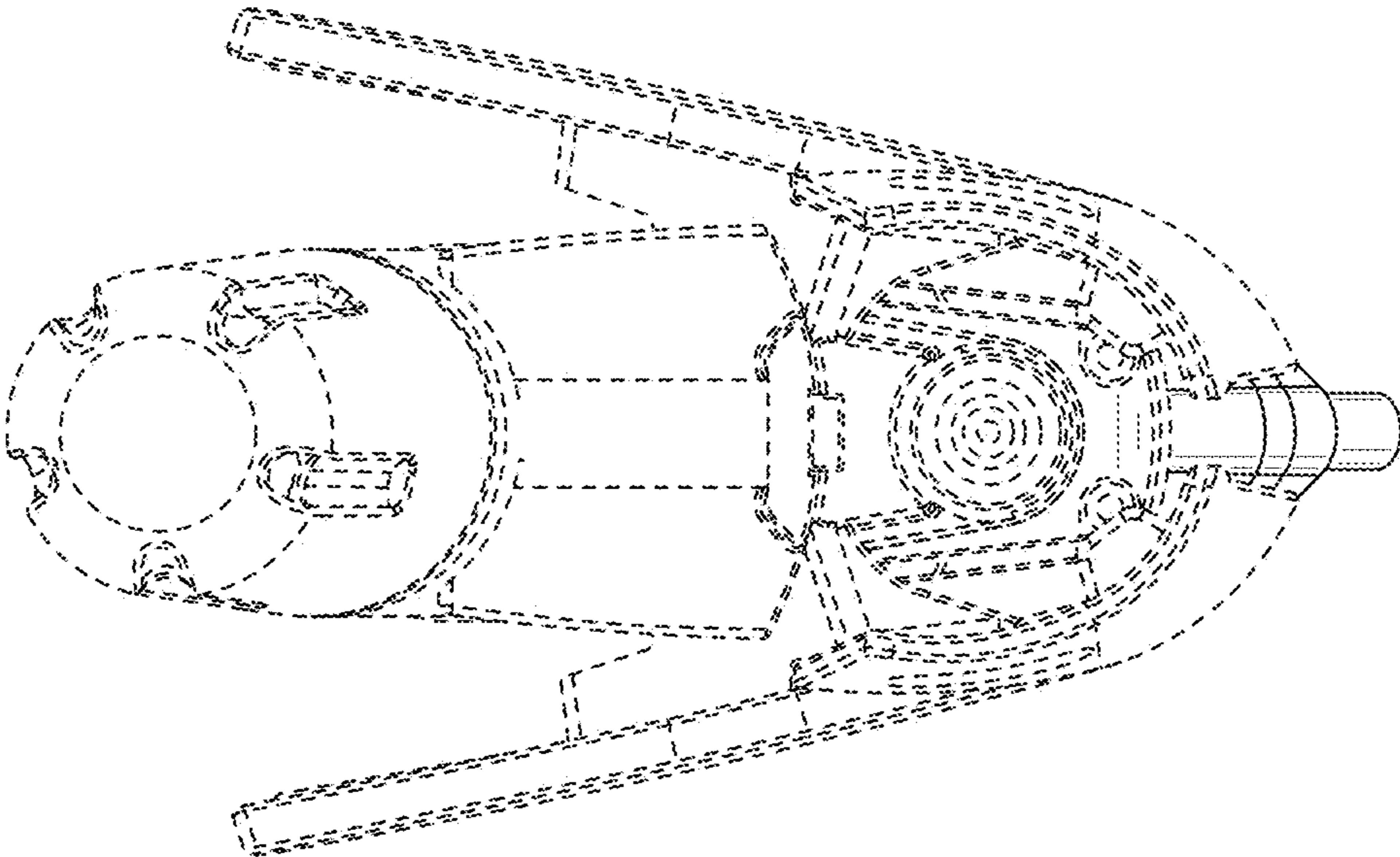


FIG. 6

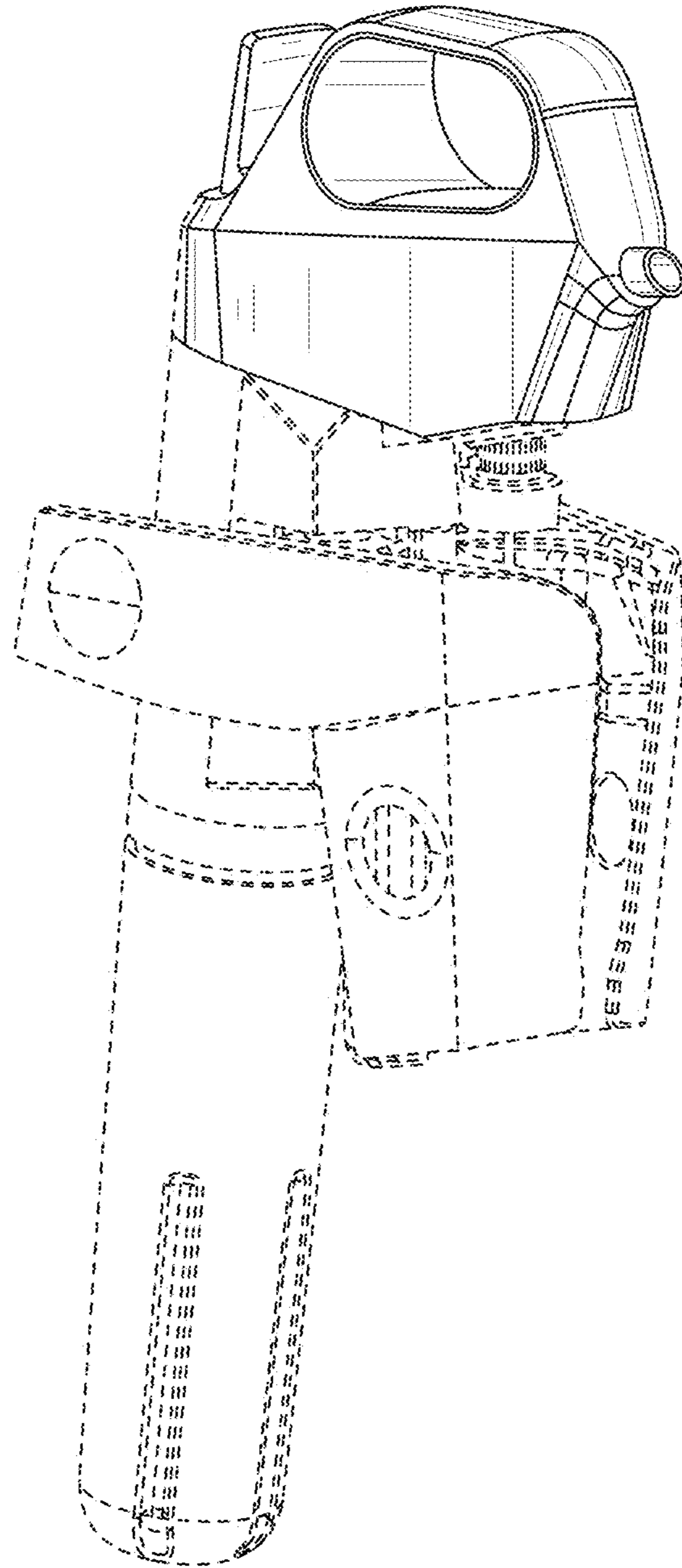


FIG. 7

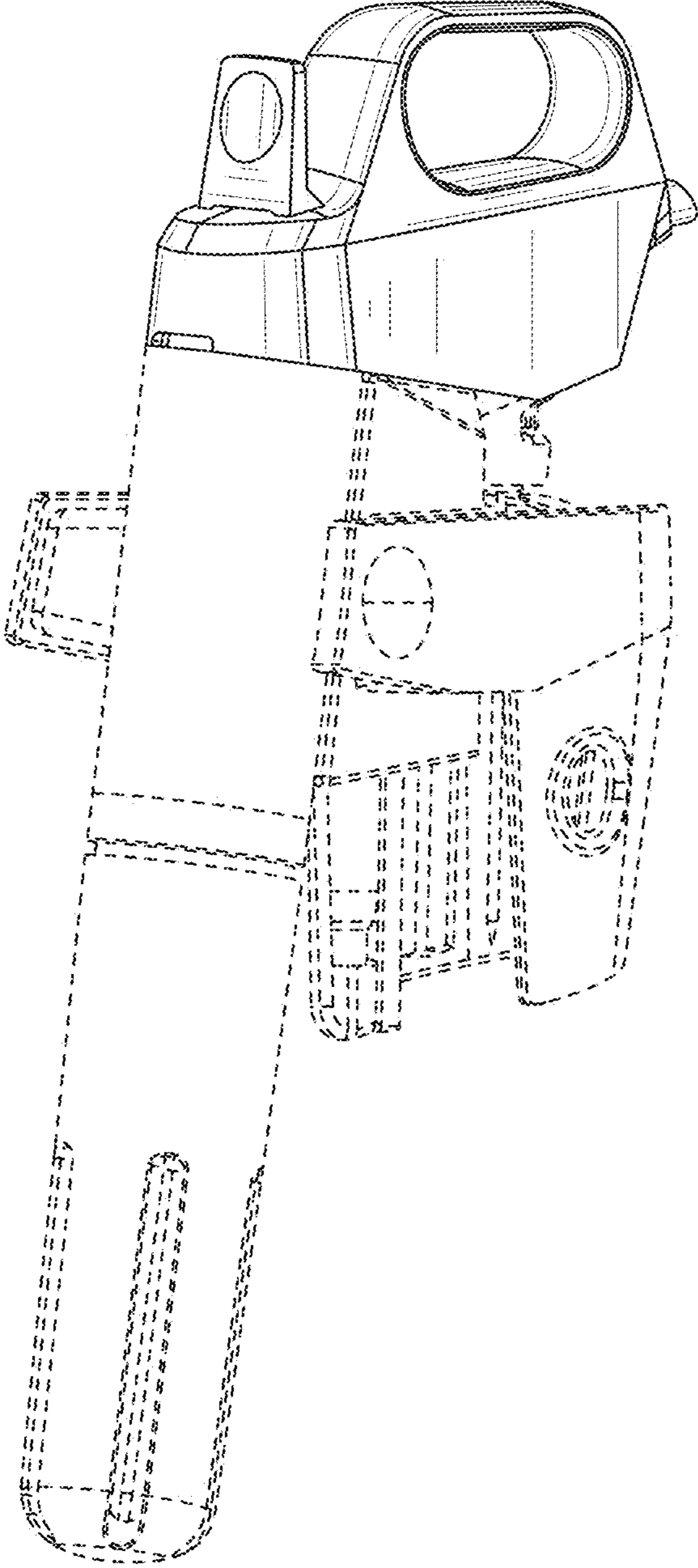


FIG. 8