



US00D75553S

(12) **United States Design Patent**  
**Wilkinson et al.**

(10) **Patent No.:** **US D755,553 S**  
(45) **Date of Patent:** **\*\* May 10, 2016**

(54) **CHAIR**

(71) Applicant: **FORMWAY FURNITURE LIMITED,**  
WELLINGTON (NZ)

(72) Inventors: **Paul Michael Wilkinson,** Wellington  
(NZ); **Christopher Warren Bisman,**  
Porirua (NZ); **Stuart Gregory Munro,**  
Lower Hutt (NZ)

(73) Assignee: **Formway Furniture Limited,**  
Wellington (NZ)

(\*\*) Term: **15 Years**

(21) Appl. No.: **29/541,746**

(22) Filed: **Oct. 7, 2015**

**Related U.S. Application Data**

(62) Division of application No. 29/495,355, filed on Jun. 30, 2014, now Pat. No. Des. 742,674, which is a division of application No. 29/467,559, filed on Sep. 20, 2013, now Pat. No. Des. 711,127.

(51) **LOC (10) Cl.** ..... **06-01**

(52) **U.S. Cl.**  
USPC ..... **D6/716; D6/366**

(58) **Field of Classification Search**  
USPC ..... D6/334–336, 360–381, 716,  
D6/716.1–716.4  
CPC ..... A47C 1/02; A47C 1/03255; A47C 1/024;  
A47C 3/025; A47C 3/026; A47C 31/023;  
A47C 7/02; A47C 7/022; A47C 7/282;  
A47C 7/40; A47C 7/402; A47C 7/44; A47C  
7/46; A47C 7/462; A47C 7/54; B60N 2/64;  
B60N 2/66  
See application file for complete search history.

(56) **References Cited**

U.S. PATENT DOCUMENTS

D463,144 S	9/2002	Pennington et al.	
6,702,390 B2	3/2004	Stumpf et al.	
D493,626 S	8/2004	James	
D499,895 S	12/2004	Olson et al.	
D514,832 S	2/2006	Tsai	
D517,820 S	3/2006	Citterio	
D521,755 S	5/2006	Kinoshita et al.	
D535,112 S *	1/2007	Bernett .....	D6/366
D557,027 S	12/2007	Hara	
D558,995 S	1/2008	Igarashi	
D558,996 S	1/2008	Igarashi	
D559,571 S	1/2008	Meda	
D559,572 S	1/2008	Igarashi	
D559,573 S	1/2008	Igarashi	
D559,574 S	1/2008	Igarashi	
D576,809 S	9/2008	Christianson et al.	
D576,814 S *	9/2008	Baldanzi .....	D6/366
D582,170 S	12/2008	Chi	
D595,970 S	7/2009	Ueda	

(Continued)

*Primary Examiner* — Ricky Pham

(74) *Attorney, Agent, or Firm* — Workman Nydegger

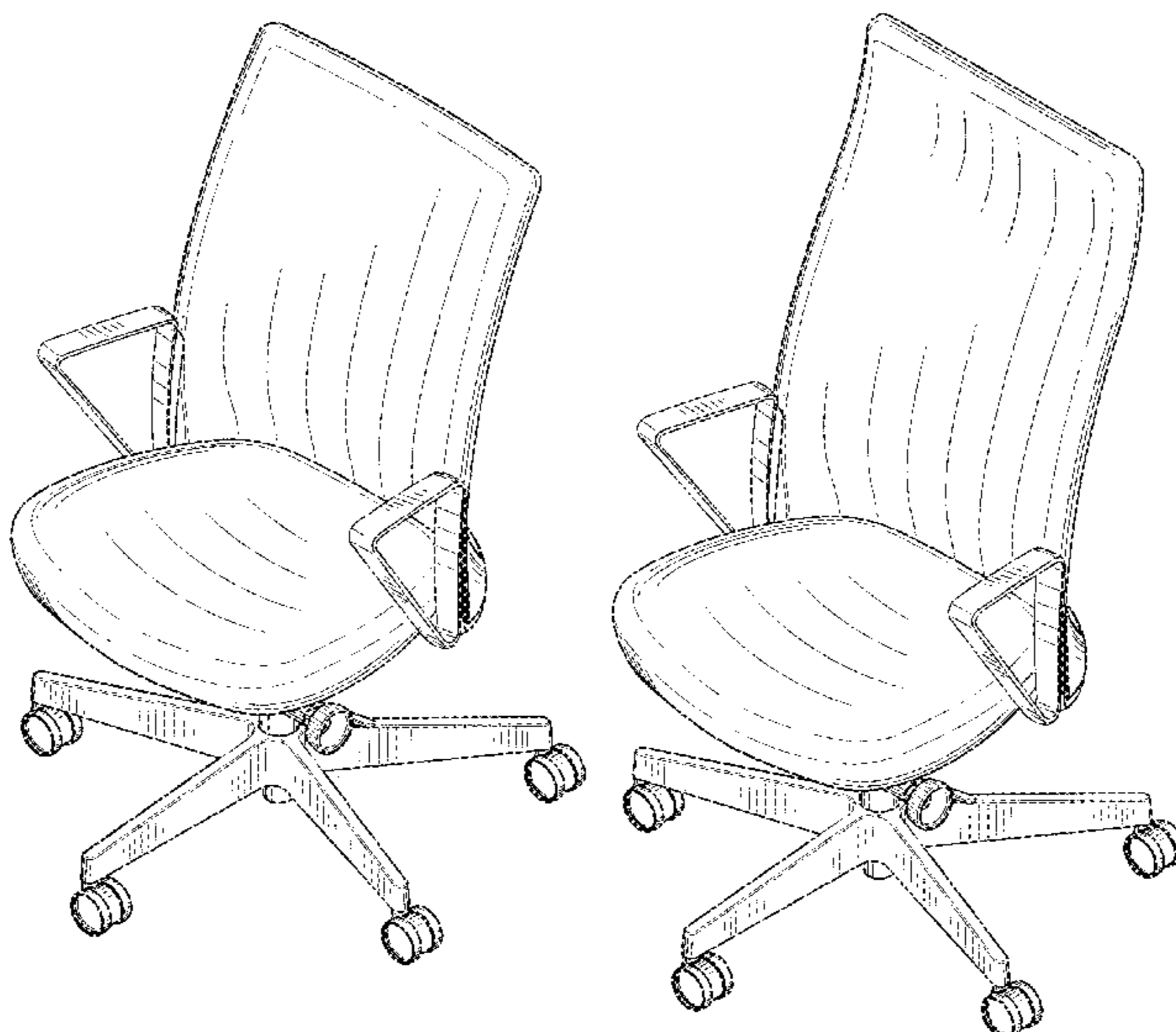
(57) **CLAIM**

The ornamental design for a chair, as shown and described.

**DESCRIPTION**

FIG. 1 is an overhead front perspective view of a chair showing our new design;  
FIG. 2 is a front elevational view thereof;  
FIG. 3 is a left side elevational view thereof;  
FIG. 4 is a rear elevational view thereof;  
FIG. 5 is a right side elevational view thereof;  
FIG. 6 is a top plan view thereof;  
FIG. 7 is an overhead front perspective view of a second embodiment of the chair;  
FIG. 8 is a front elevational view thereof;  
FIG. 9 is a left side elevational view thereof;  
FIG. 10 is a rear elevational view thereof;  
FIG. 11 is a right side elevational view thereof; and,  
FIG. 12 is a top plan view thereof.

**1 Claim, 12 Drawing Sheets**



(56)

References Cited

U.S. PATENT DOCUMENTS

D596,418 S *	7/2009	Ueda .....	D6/366	D671,759 S	12/2012	Hurford	
D597,329 S	8/2009	Tanaka et al.		D679,107 S *	4/2013	Darrow .....	D6/366
D597,349 S	8/2009	Wilkinson et al.		D687,641 S *	8/2013	Barrell .....	D6/366
D600,462 S	9/2009	Ooki et al.		D688,056 S	8/2013	Phillips et al.	
D607,653 S	1/2010	Wilkinson et al.		D688,483 S	8/2013	Aratani	
D607,672 S *	1/2010	Kubryk .....	D6/366	D690,523 S	10/2013	Choi	
D613,084 S	4/2010	Wilkinson et al.		D694,537 S *	12/2013	Smith .....	D6/366
D613,085 S	4/2010	Fujita		D694,538 S *	12/2013	Smith .....	D6/366
D613,087 S	4/2010	Fujita		D696,886 S	1/2014	Nakamura	
D616,213 S	5/2010	Parker et al.		D701,068 S *	3/2014	Usumoto .....	D6/366
D636,614 S	4/2011	Sander et al.		D704,487 S *	5/2014	Smith .....	D6/366
D649,795 S	12/2011	Izawa		D704,944 S *	5/2014	Koepke .....	D6/366
D652,223 S	1/2012	Fujita		D707,976 S *	7/2014	Smith .....	D6/366
D654,709 S	2/2012	Fujita		D710,640 S *	8/2014	Usumoto .....	D6/366
D654,710 S	2/2012	Fujita		D713,664 S *	9/2014	Vetter .....	D6/716
D654,711 S	2/2012	Fujita		D724,367 S *	3/2015	Sander .....	D6/366
D655,522 S	3/2012	Czumaj-Bront et al.		D731,833 S *	6/2015	Fifield .....	D6/716.4
D656,752 S	4/2012	Moll		D733,446 S *	7/2015	Izawa .....	D6/366
D662,331 S *	6/2012	Czumaj-Bront .....	D6/366	D735,512 S *	8/2015	Chan .....	D6/716.1
D663,129 S *	7/2012	Greutmann .....	D6/366	D742,674 S *	11/2015	Wilkinson .....	D6/716
D665,589 S	8/2012	Wagner		D742,677 S *	11/2015	Smith .....	D6/716
D665,592 S	8/2012	Citterio		2005/0029848 A1 *	2/2005	Heidmann .....	A47C 1/03255 297/300.1
D666,016 S	8/2012	Citterio		2005/0035638 A1	2/2005	Pennington et al.	
D667,231 S	9/2012	Citterio		2010/0007190 A1 *	1/2010	Johnson .....	A47C 31/023 297/440.15
D670,927 S	11/2012	Hurford		2012/0306247 A1 *	12/2012	Bisman .....	A47C 7/462 297/284.7
D671,332 S *	11/2012	Izawa .....	D6/366				

\* cited by examiner

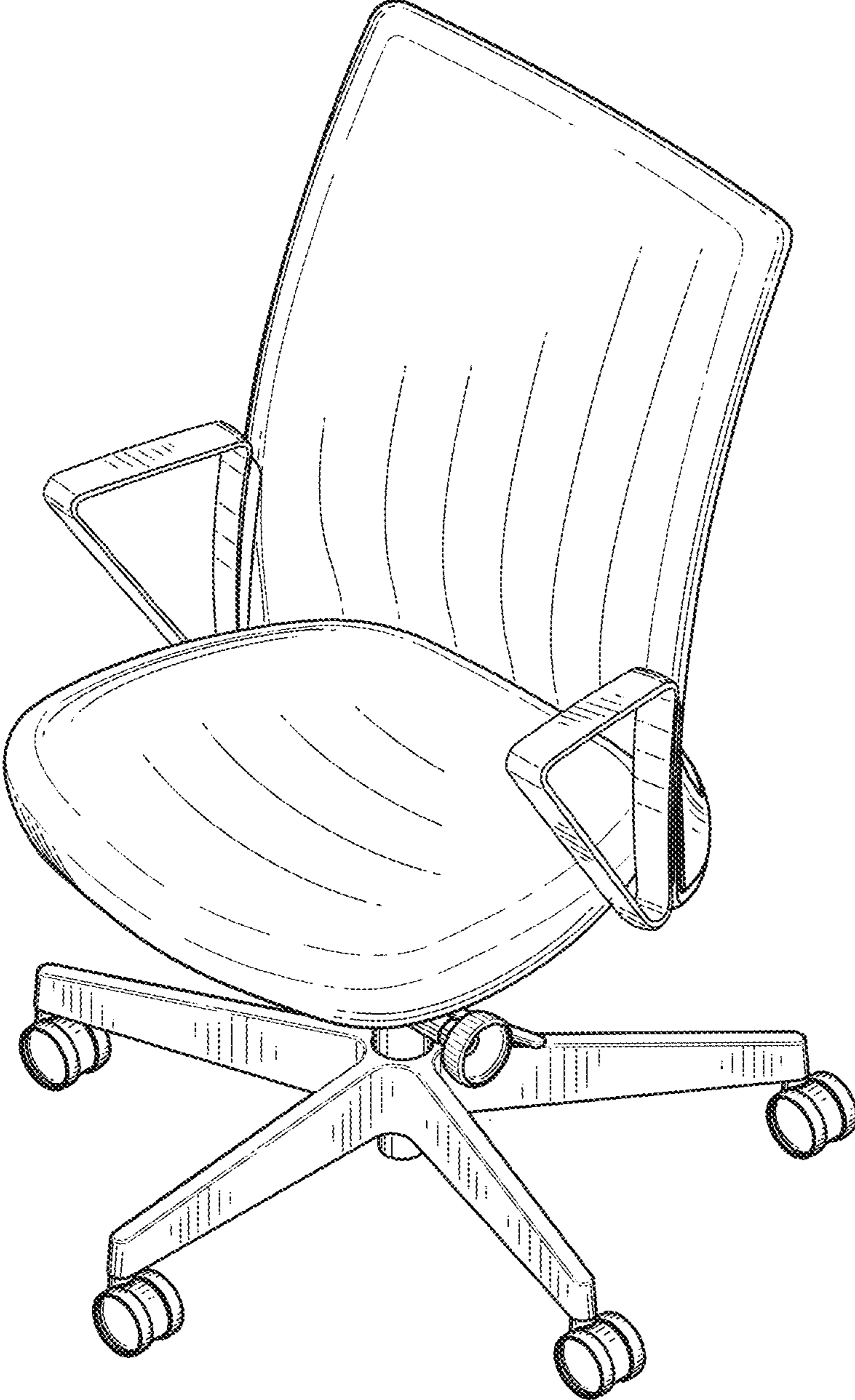


FIG. 1



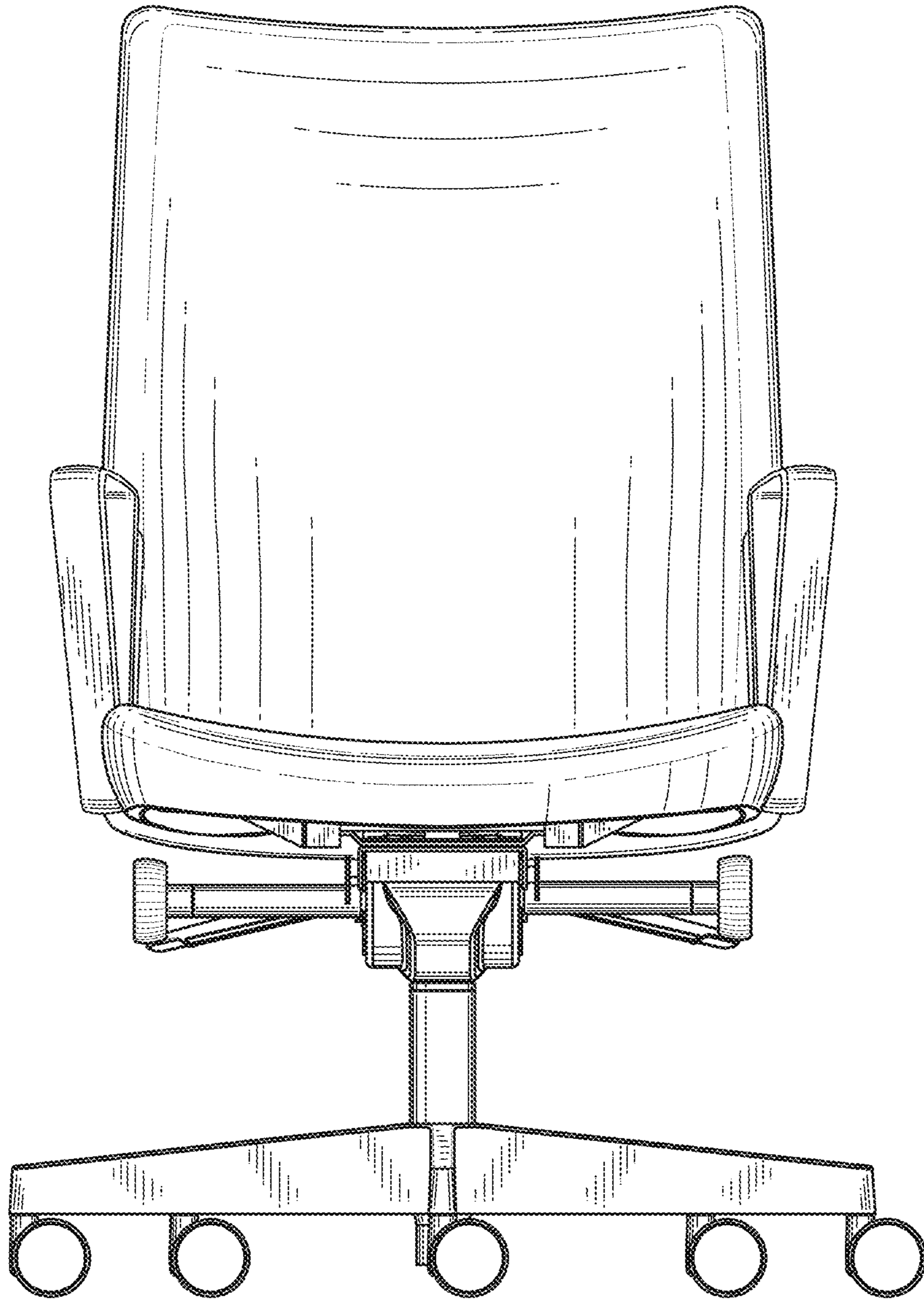


FIG. 2

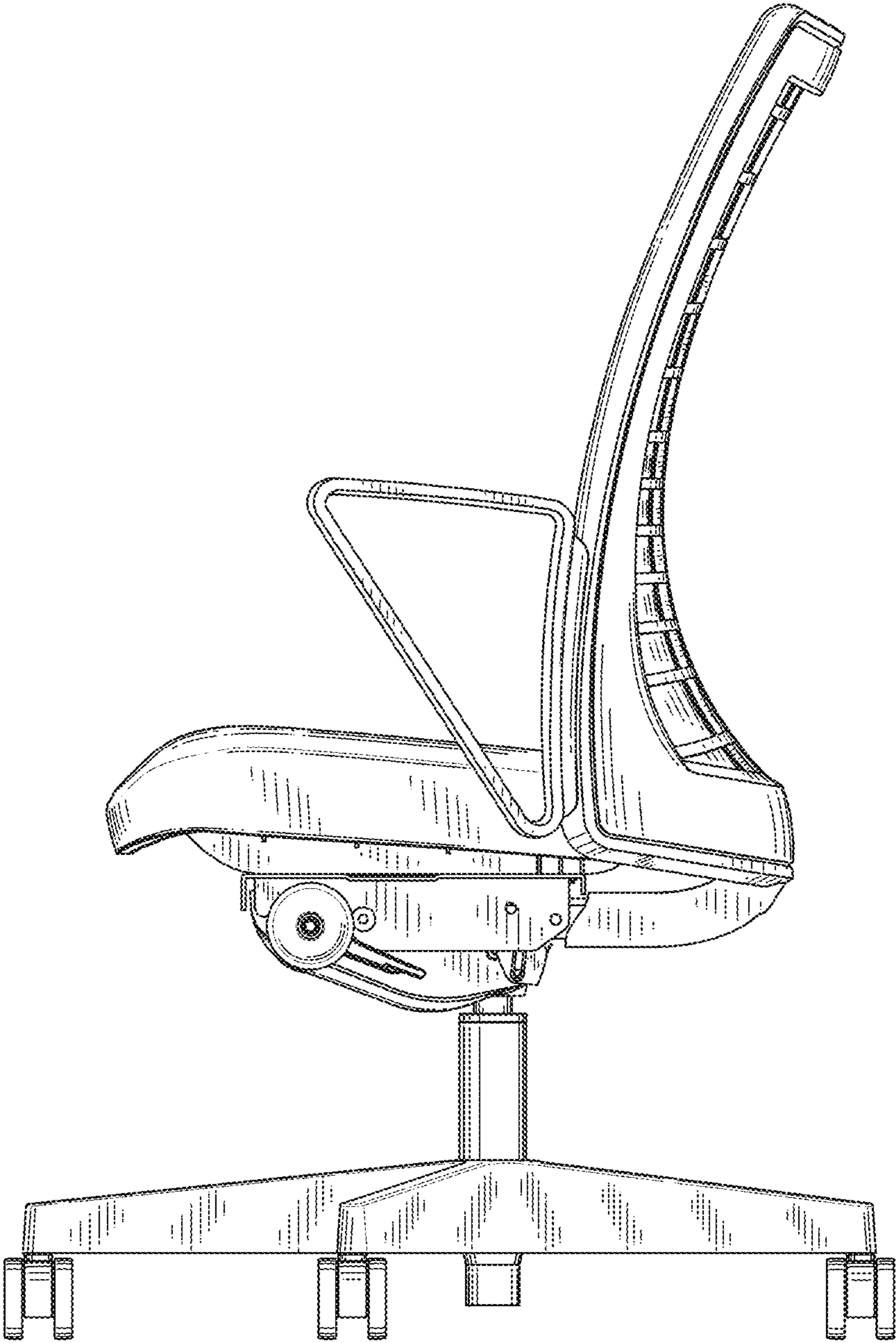


FIG. 3

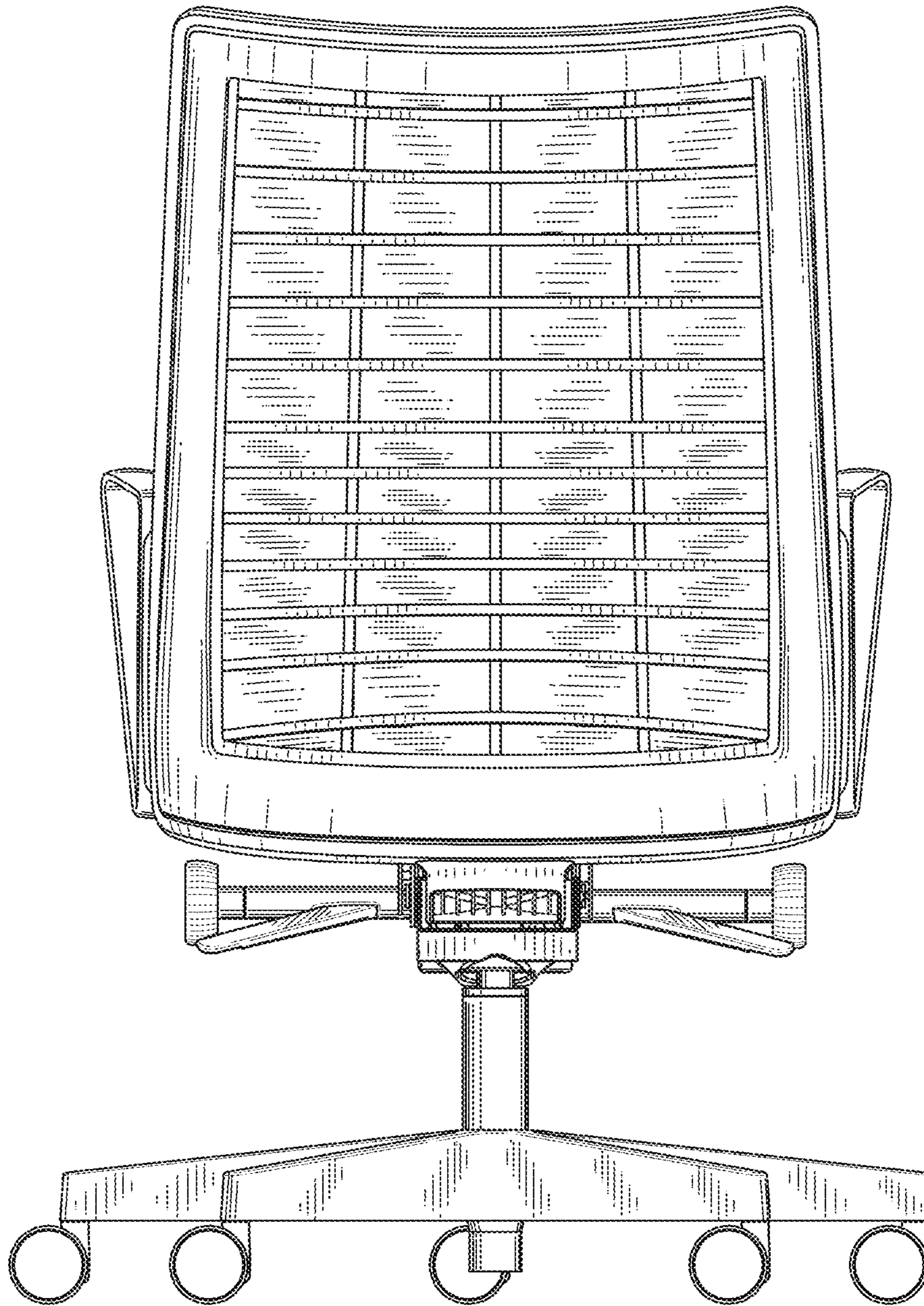


FIG. 4

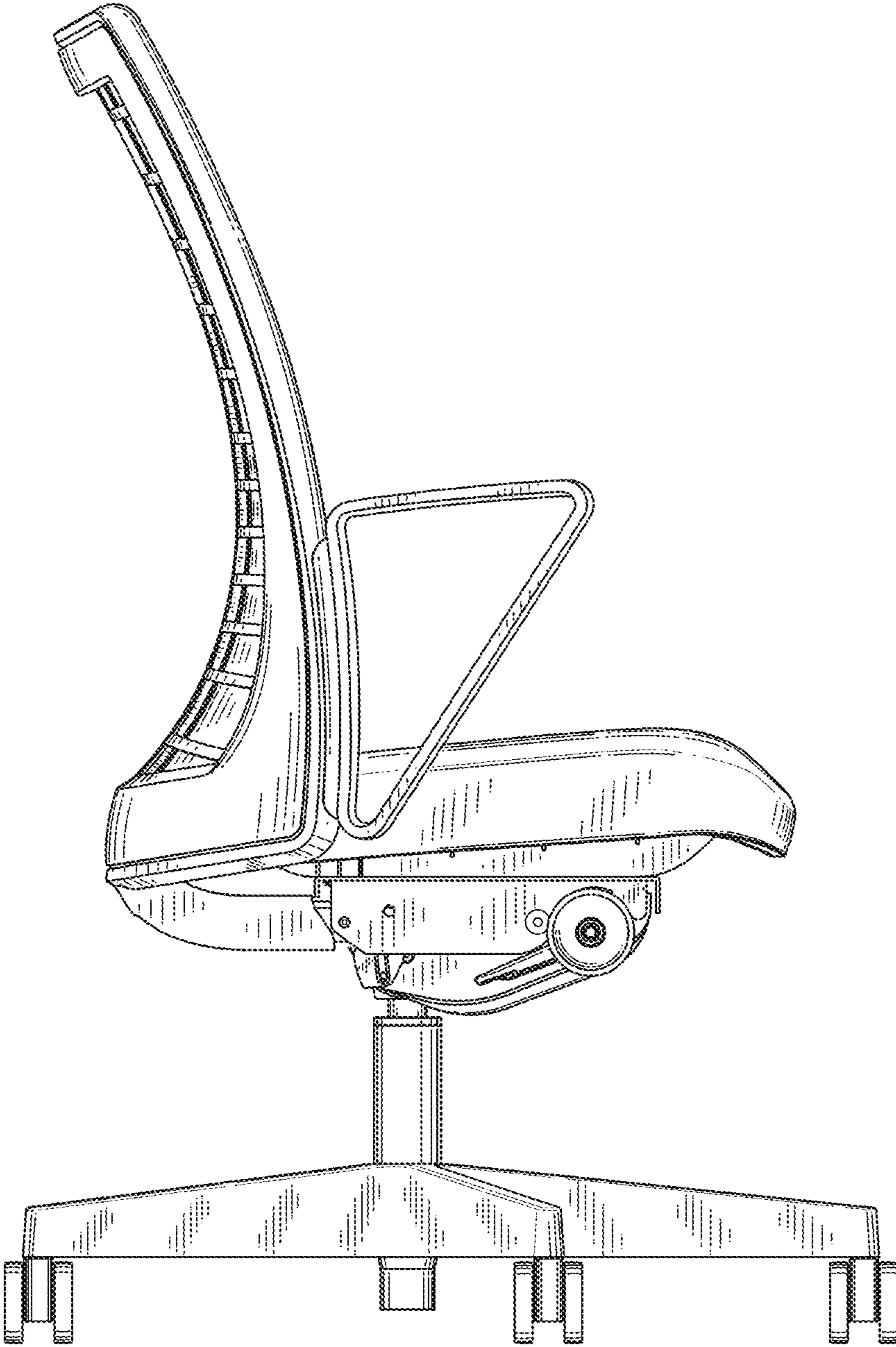


FIG. 5



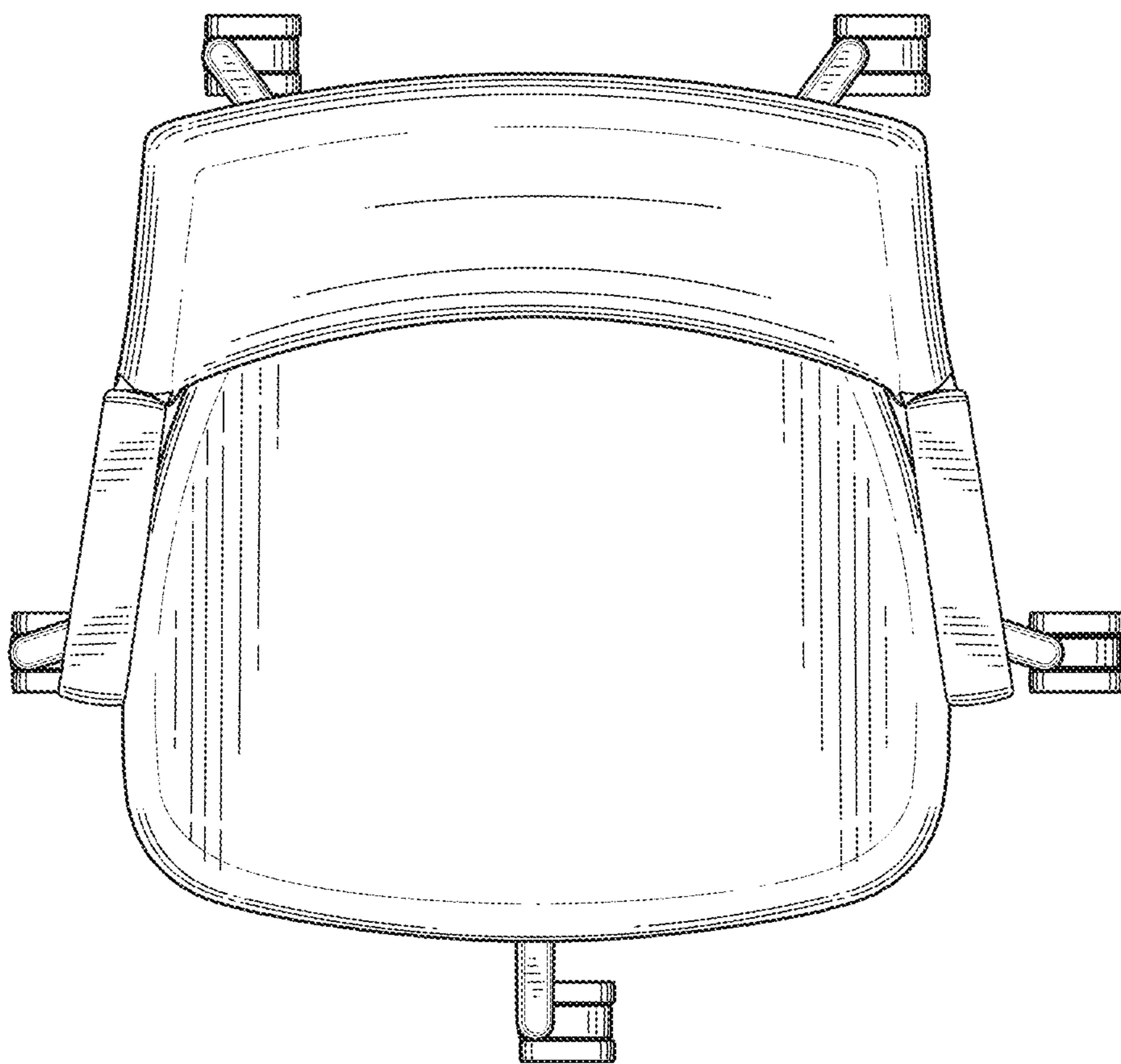


FIG. 6



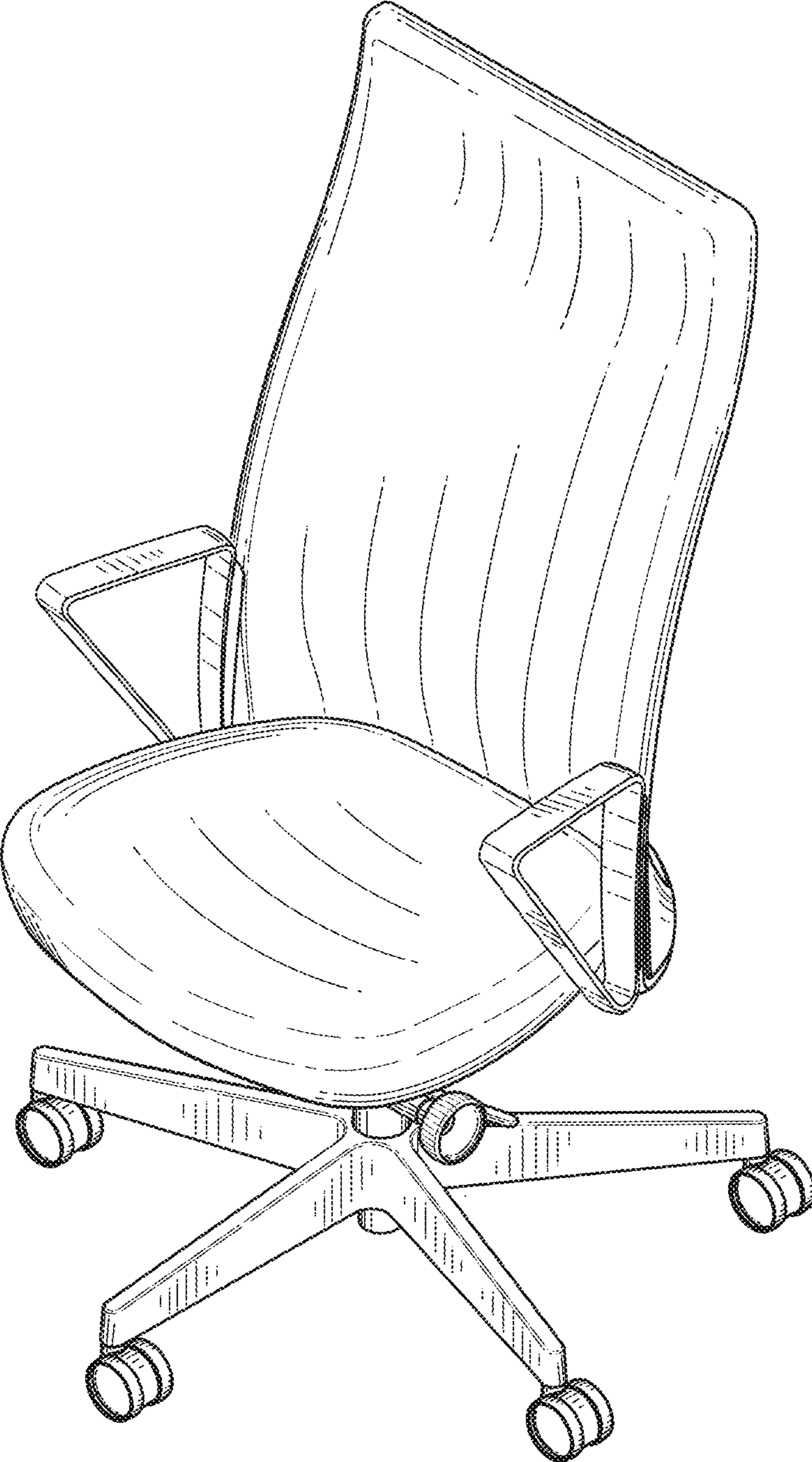


FIG. 7

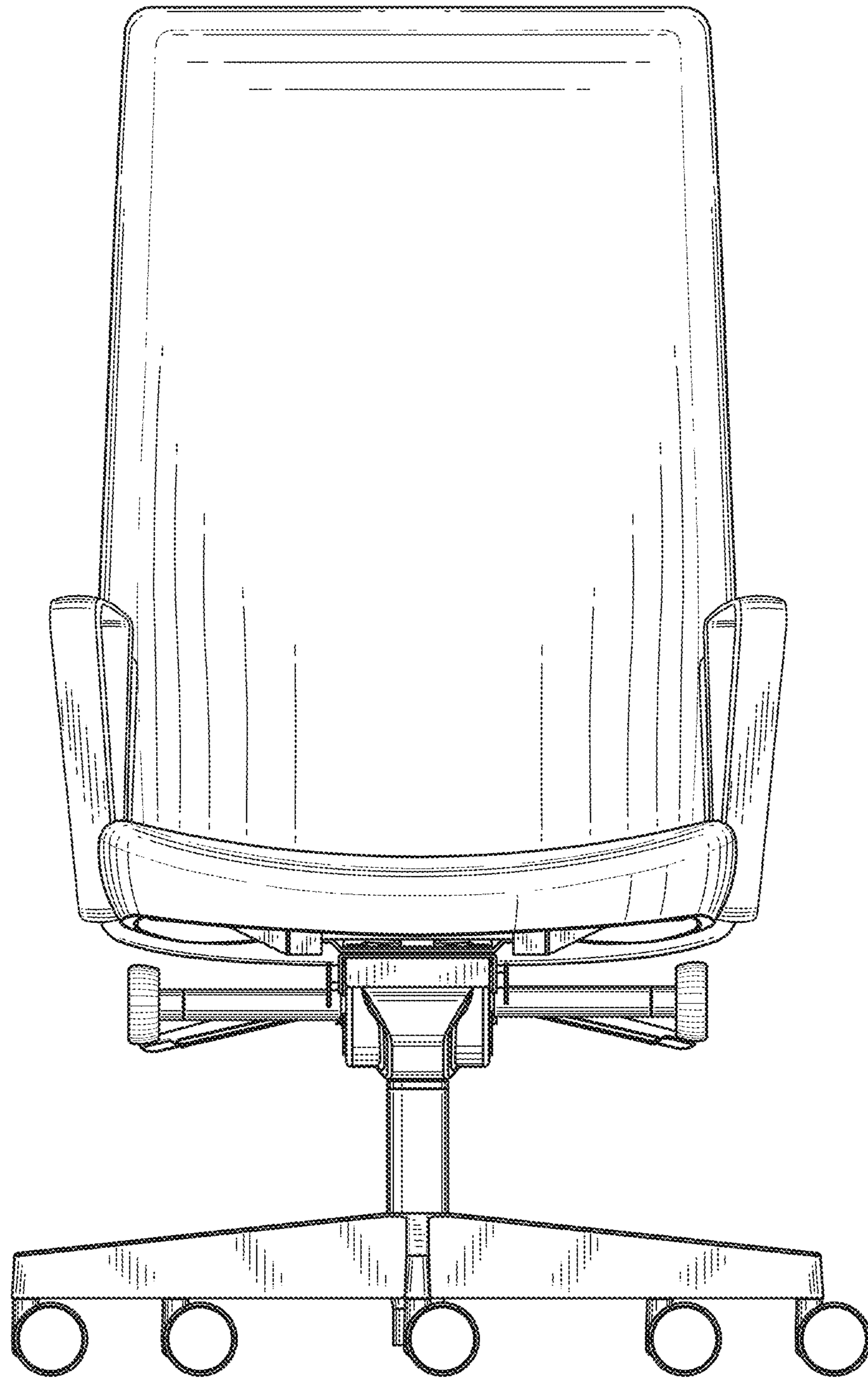


FIG. 8

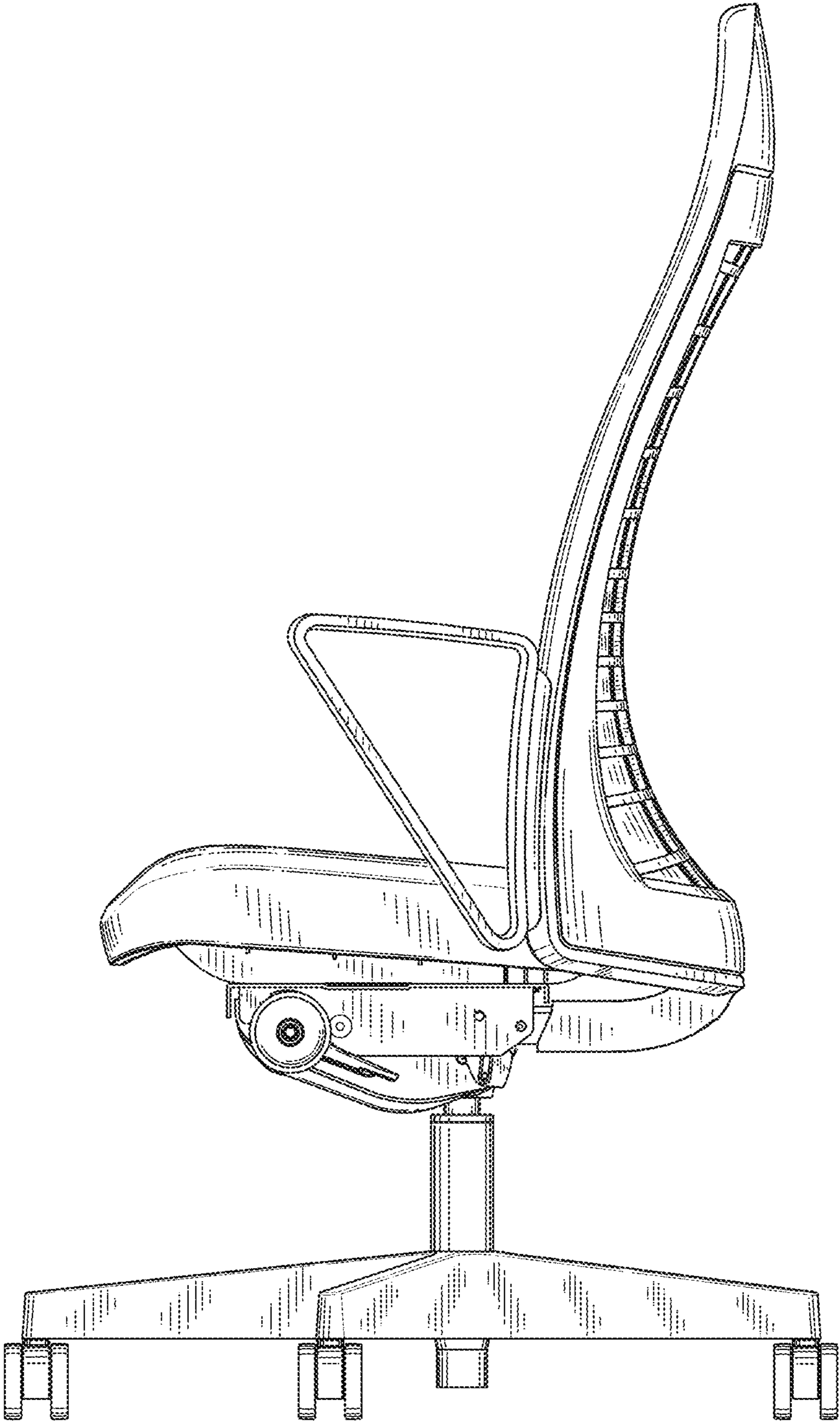


FIG. 9



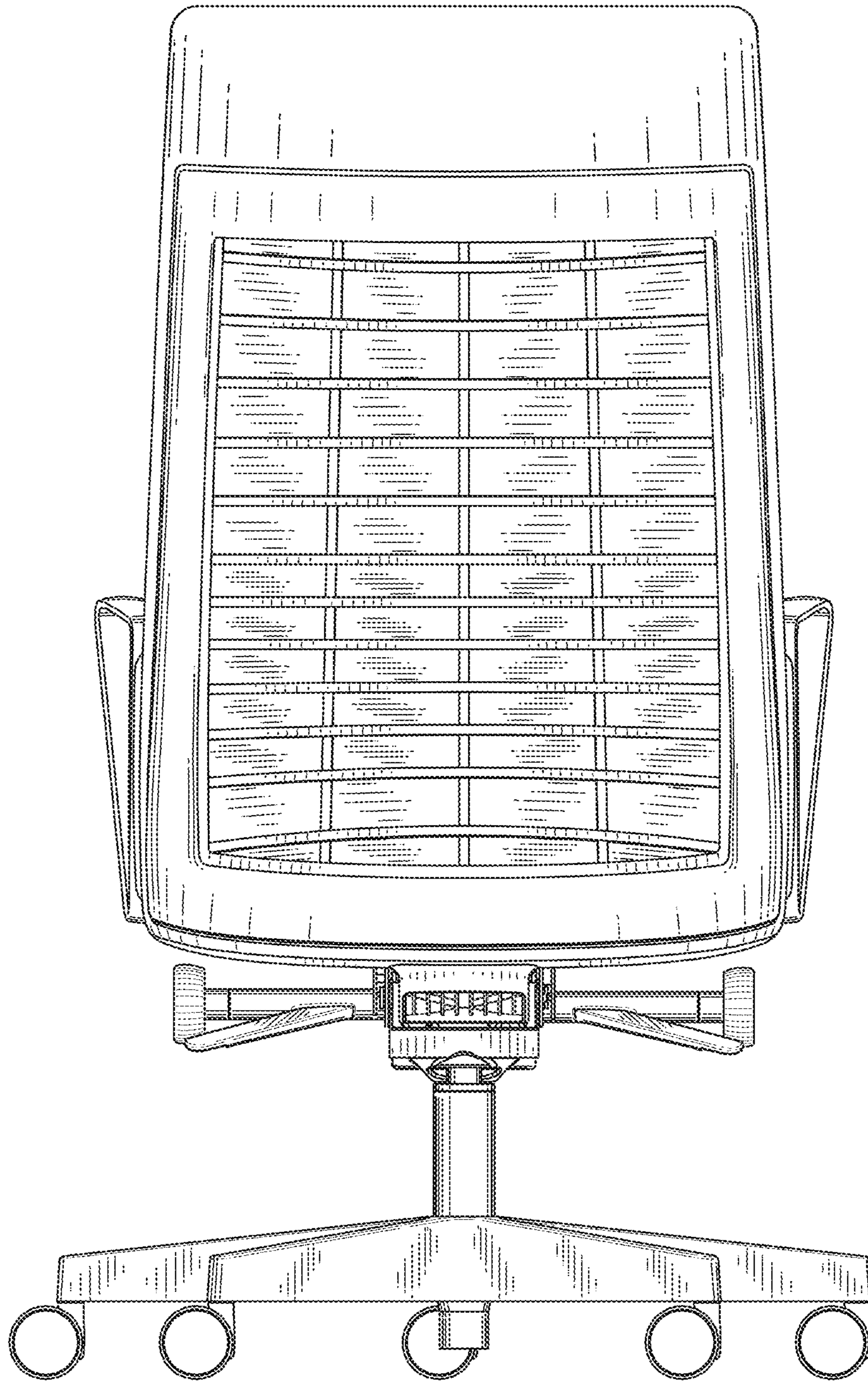


FIG. 10

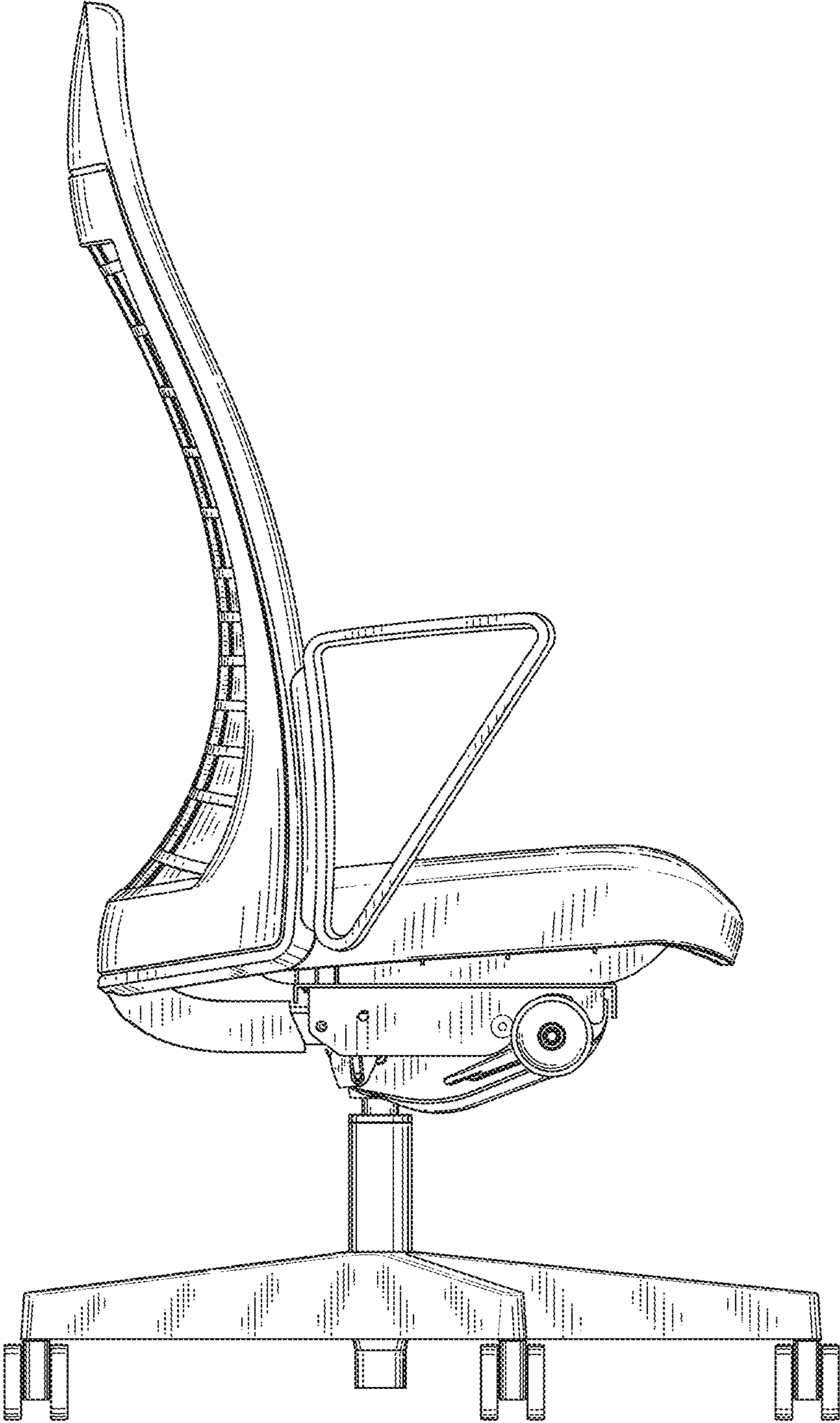


FIG. 11

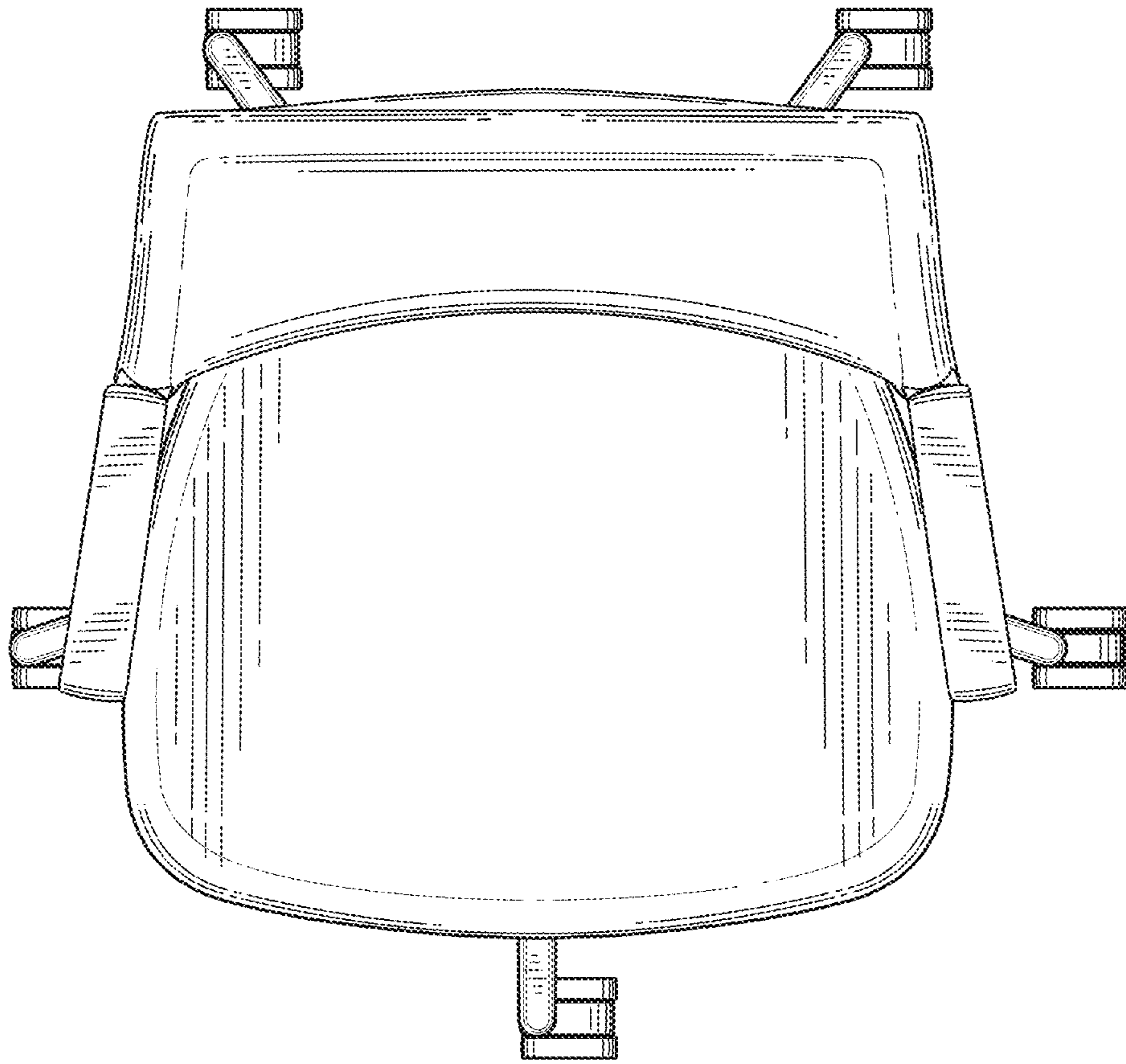


FIG. 12