



US00D75550S

(12) **United States Design Patent**
Sneve et al.

(10) **Patent No.:** **US D755,550 S**
(45) **Date of Patent:** **** May 10, 2016**

(54) **CONNECTING MEMBER**

(71) Applicant: **Gigtrigger AS**, Bodø (NO)
(72) Inventors: **Audun Sneve**, Levanger (NO);
Carl-André Nørstebø, Trondheim (NO);
Carl Gustaf Lundholm, Trondheim (NO)

(73) Assignee: **Gigtrigger AS**, Bodø (NO)

(**) Term: **14 Years**

(21) Appl. No.: **29/504,149**

(22) Filed: **Oct. 2, 2014**

(30) **Foreign Application Priority Data**

Apr. 2, 2014 (NO) 20140310

(51) **LOC (10) Cl.** **06-01**

(52) **U.S. Cl.**
USPC **D6/716**

(58) **Field of Classification Search**
USPC D6/334-336, 371-373, 374, 375, 376,
D6/379, 380, 716, 716.1, 716.4; D8/349,
D8/354, 382
CPC A47C 1/124; A47C 3/04; A47C 4/02;
A47C 4/03; A47C 5/12
See application file for complete search history.

(56) **References Cited**

U.S. PATENT DOCUMENTS

1,742,186	A	1/1930	Claus	
D142,800	S	11/1945	Watson	
2,812,800	A	11/1957	Eames	
3,025,105	A	3/1962	Nash	
3,261,640	A	7/1966	Straits	
D214,622	S	7/1969	Schler	
3,758,155	A *	9/1973	Straits	A47C 3/04 297/239
D261,831	S	11/1981	Luckey	
4,400,031	A *	8/1983	DeDecker	A47C 3/04 297/239
4,555,114	A	11/1985	Dozier	

D289,120	S	4/1987	Chadwick et al.	
D307,837	S	5/1990	Grant	
4,978,168	A *	12/1990	Piretti	A47C 3/04 297/239
5,282,669	A *	2/1994	Barile	A47C 3/04 297/248
D367,982	S	3/1996	Stirling et al.	
D400,780	S	11/1998	Wurdack	
D401,582	S	11/1998	Gremchuck	
5,957,530	A *	9/1999	Gutgsell	A47C 1/124 297/232
D448,393	S	9/2001	Hartlohner et al.	
6,338,528	B1 *	1/2002	Lohness	A47C 3/04 297/239
D544,506	S	6/2007	Pinchot	
D547,237	S	7/2007	Tiede	
7,261,299	B1	8/2007	Chiu	

(Continued)

OTHER PUBLICATIONS

U.S. Appl. No. 29/504,129, Sneve.
(Continued)

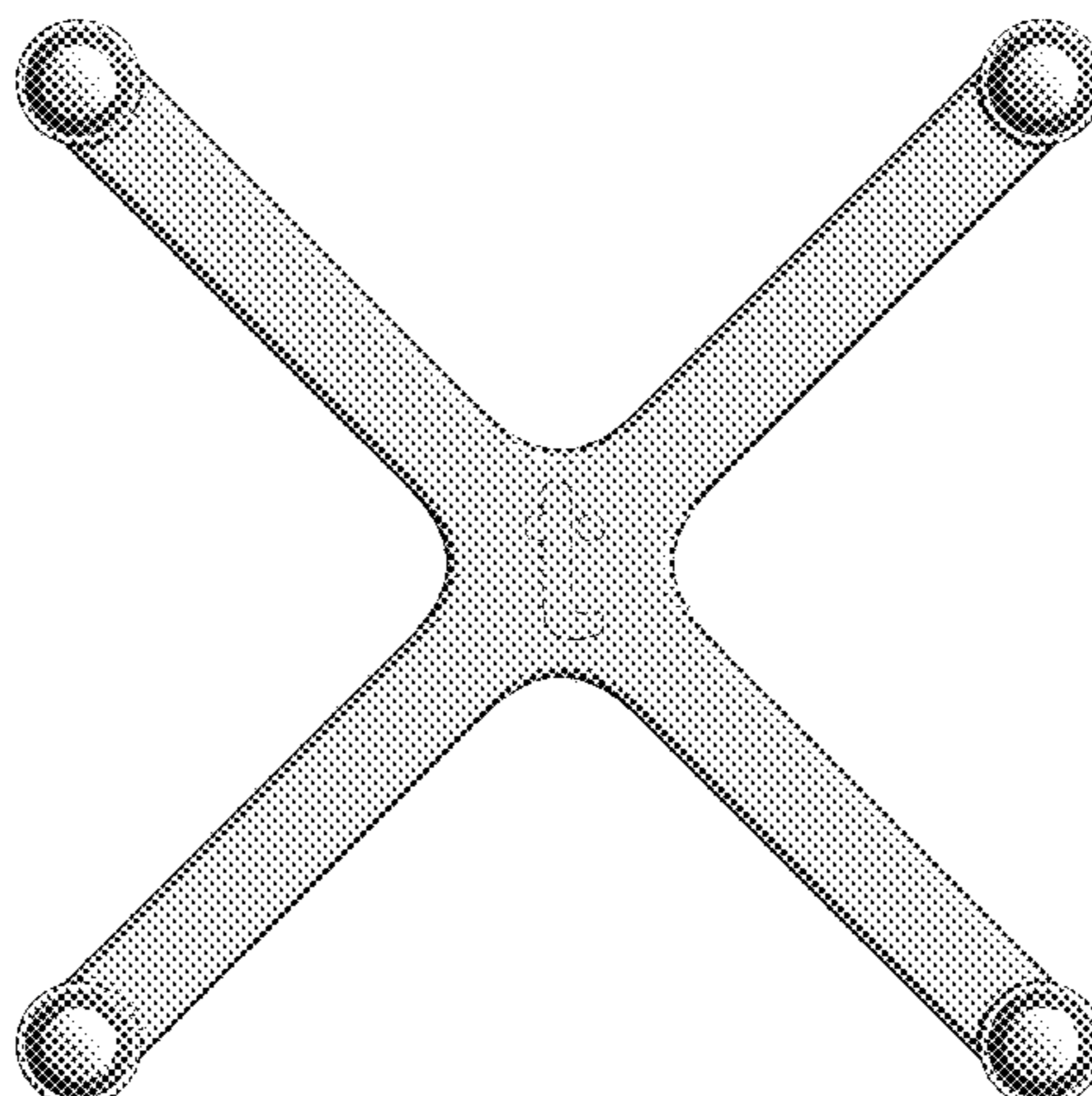
Primary Examiner — Mimoso De
(74) *Attorney, Agent, or Firm* — Winstead PC

(57) **CLAIM**
The ornamental design for a connecting member, as shown and described.

DESCRIPTION

FIG. 1 is a back view of a connecting member in accordance with the design;
FIG. 2 is a bottom view thereof;
FIG. 3 is a front view thereof;
FIG. 4 is a left view thereof;
FIG. 5 is a bottom perspective view thereof;
FIG. 6 is a top perspective view thereof;
FIG. 7 is a right view thereof; and,
FIG. 8 is a top view thereof.
Any broken lines or text present in the drawings are for illustrative purposes only and form no part of the design to be patented.

1 Claim, 8 Drawing Sheets



(56)

References Cited

U.S. PATENT DOCUMENTS

D553,380 S 10/2007 Natuzzi
D562,385 S 2/2008 Camillo
D628,218 S 11/2010 Tommassini
D658,040 S * 4/2012 Ghatikar D8/354
D669,759 S 10/2012 Castilleja et al.
D700,834 S * 3/2014 Fievet D8/382
8,678,504 B1 3/2014 Bakker et al.

D710,917 S 8/2014 Jung
D715,622 S * 10/2014 Qu D8/349
D721,573 S * 1/2015 Fievet D8/382
2002/0002886 A1 1/2002 Hansson et al.
2003/0077131 A1 4/2003 Wiman et al.

OTHER PUBLICATIONS

U.S. Appl. No. 29/504,141, Sneve.
U.S. Appl. No. 29/504,201, Sneve.

* cited by examiner

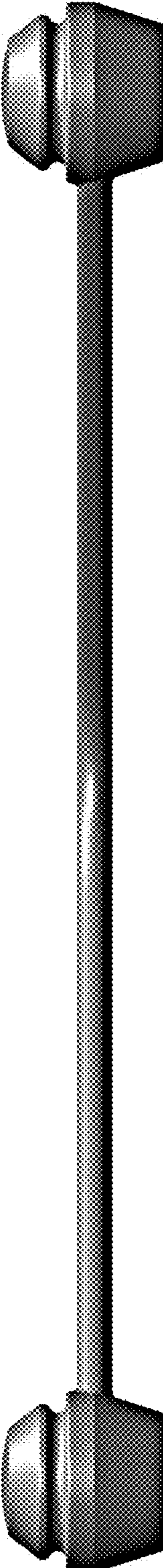


FIGURE 1

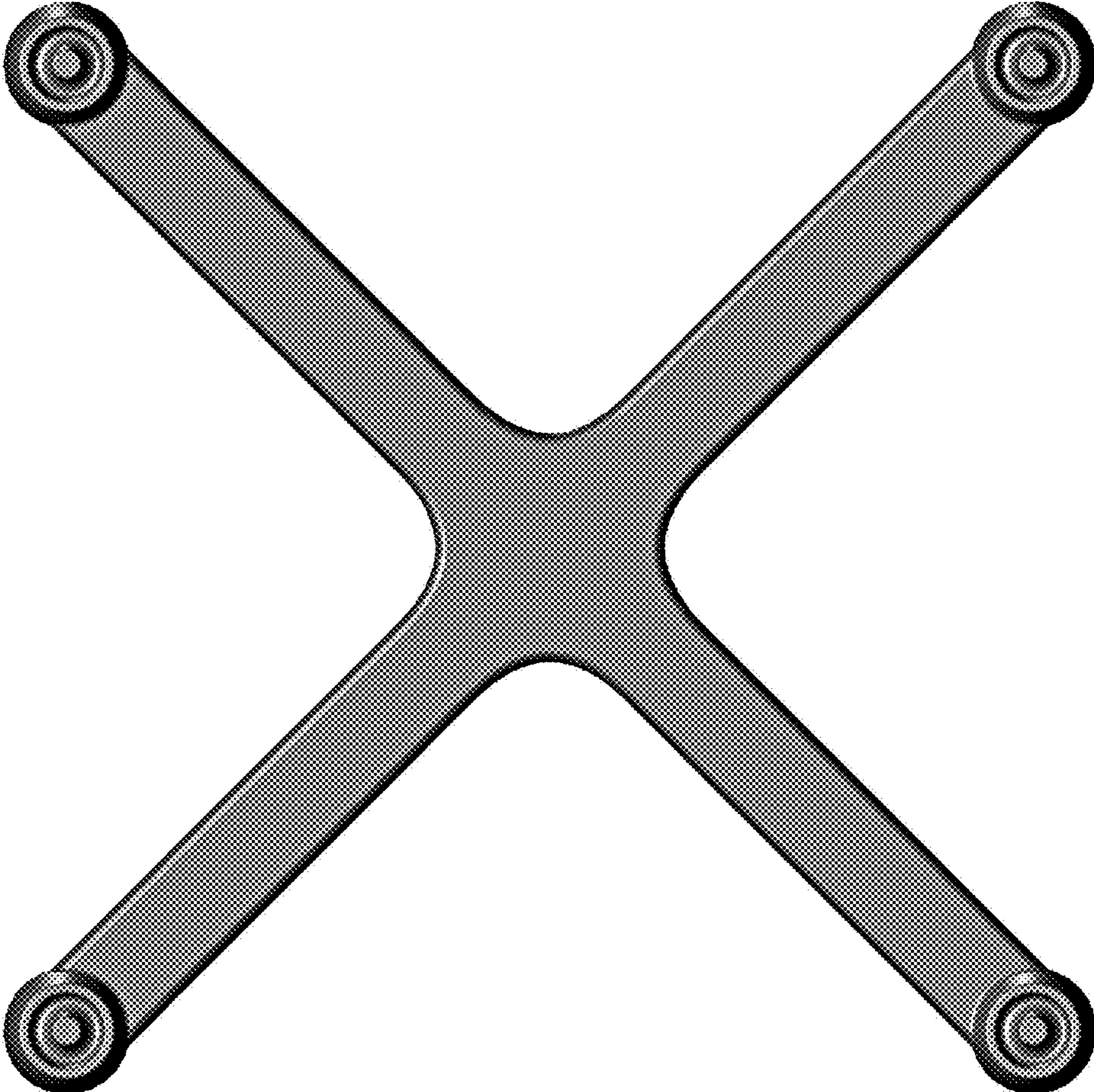


FIGURE 2

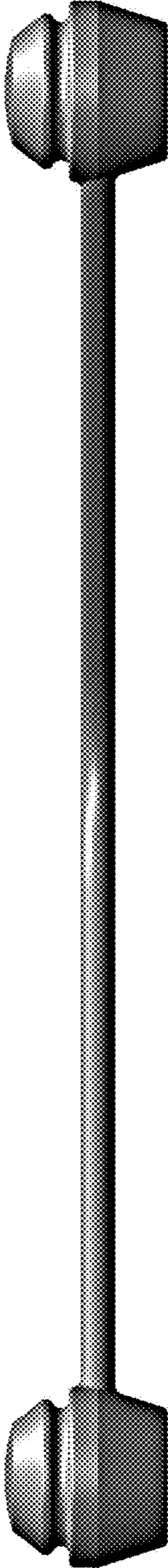


FIGURE 3

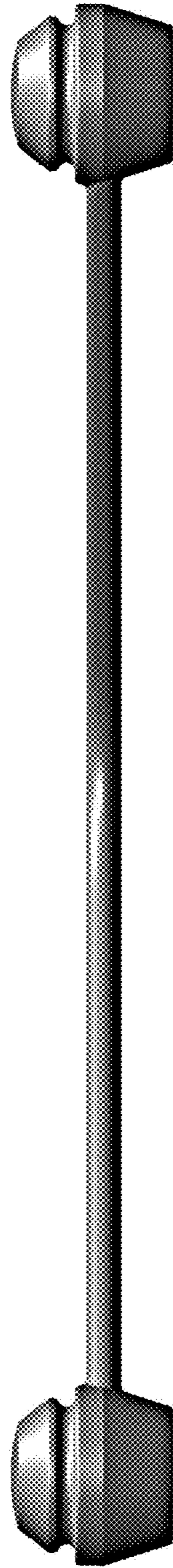


FIGURE 4

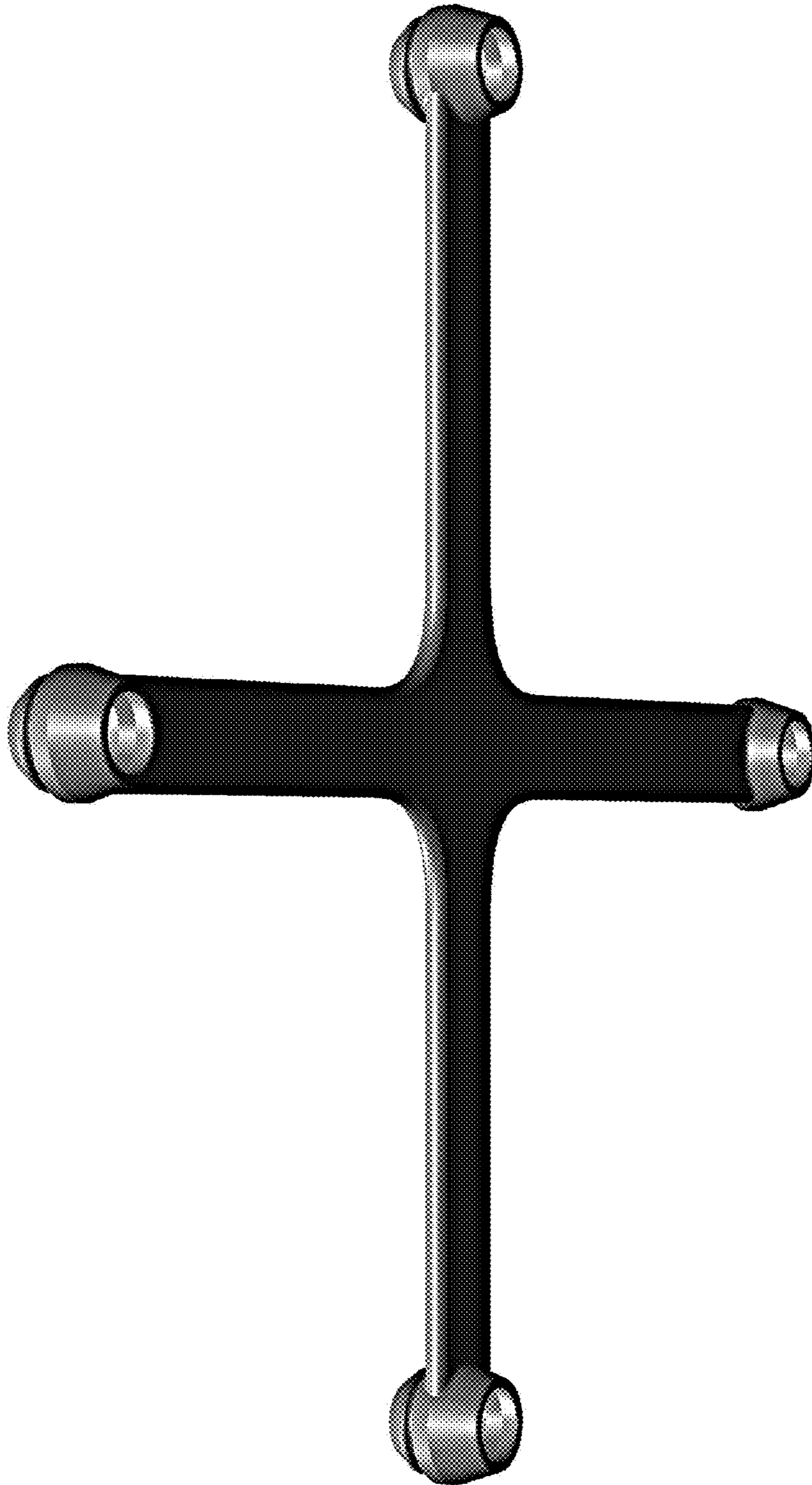


FIGURE 5

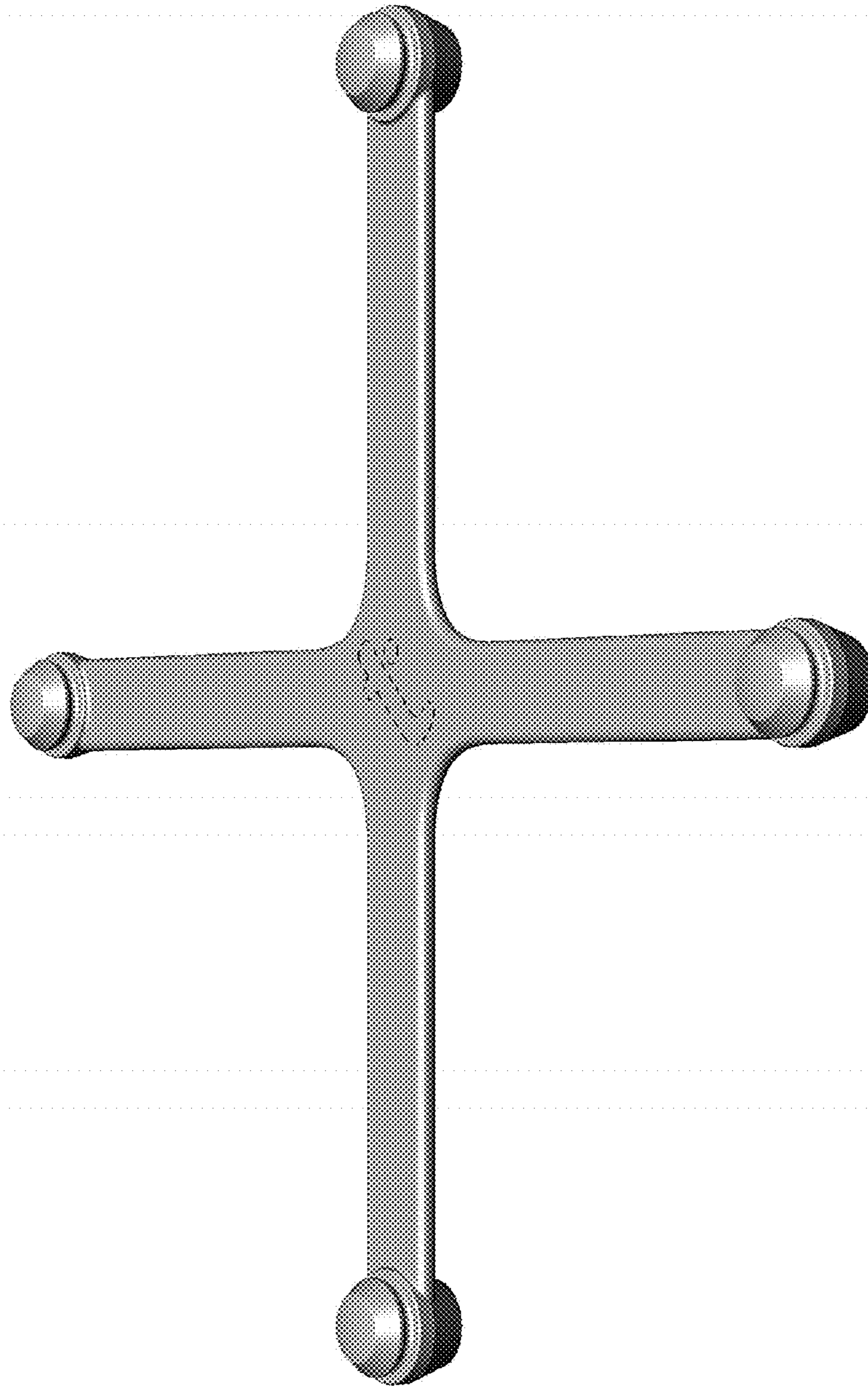


Figure 6

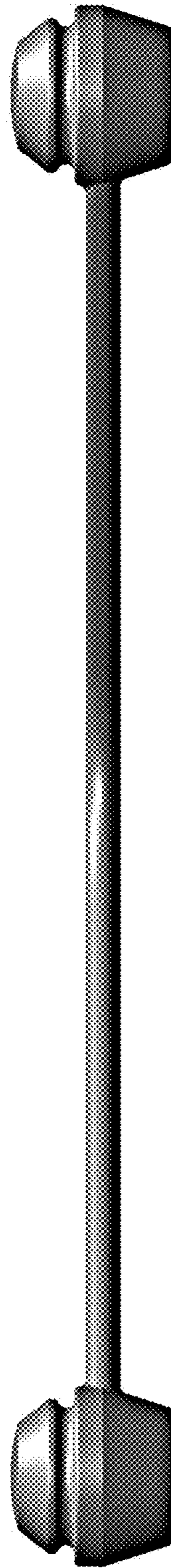


FIGURE 7

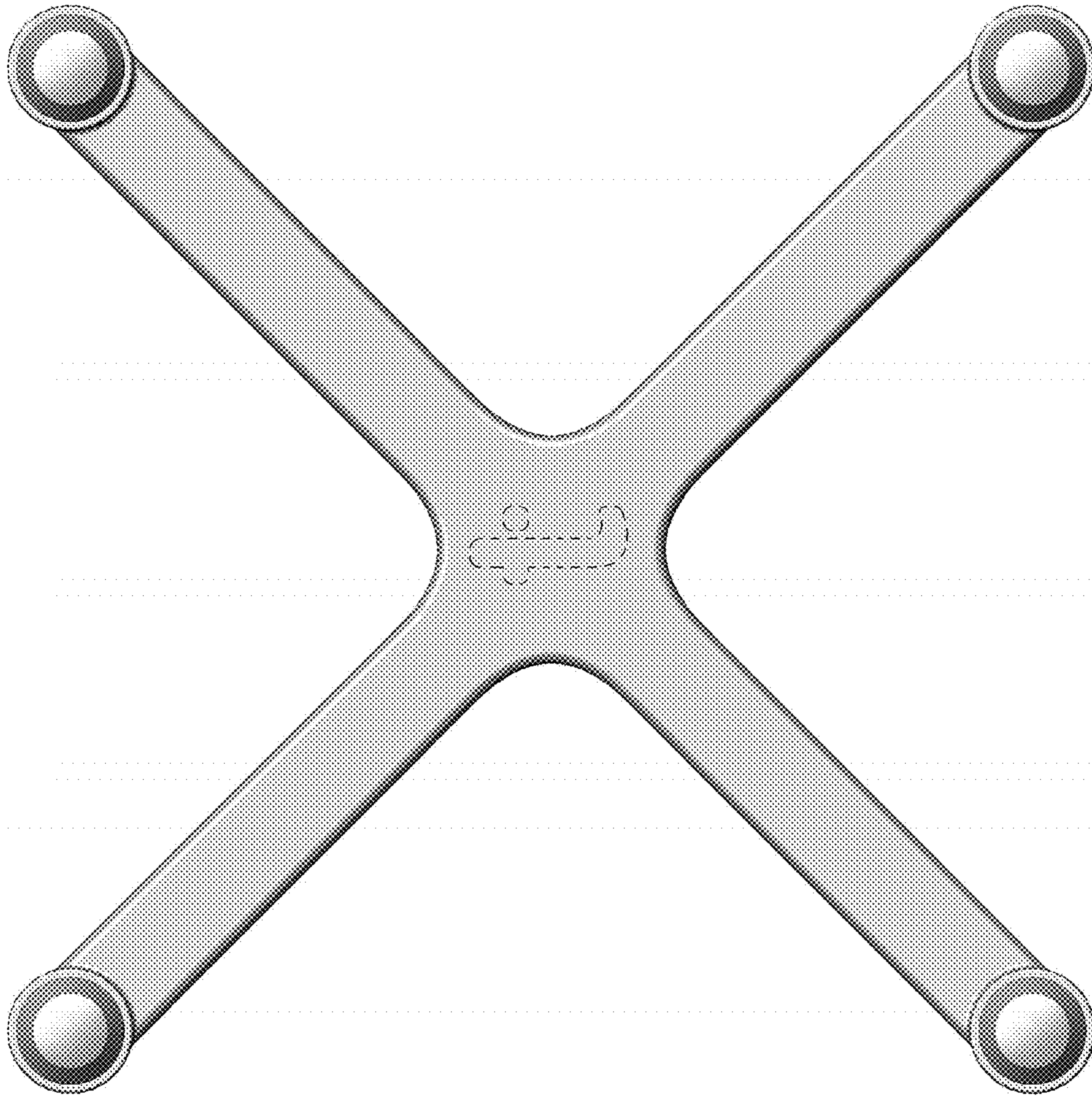


Figure 8