



US00D755545S

(12) **United States Design Patent**
Trinh et al.

(10) **Patent No.:** **US D755,545 S**
(45) **Date of Patent:** **** May 10, 2016**

- (54) **DISPLAY FIXTURE**
- (71) Applicant: **Target Brands, Inc.**, Minneapolis, MN (US)
- (72) Inventors: **Nick Q. Trinh**, Minneapolis, MN (US); **Enzo Vardaro**, Montreal (CA)
- (73) Assignee: **Target Brands, Inc.**, Minneapolis, MN (US)
- (**) Term: **14 Years**
- (21) Appl. No.: **29/515,786**
- (22) Filed: **Jan. 27, 2015**

Related U.S. Application Data

- (63) Continuation of application No. 29/445,180, filed on Feb. 8, 2013, now Pat. No. Des. 724,869.
- (51) **LOC (10) Cl.** **06-04**
- (52) **U.S. Cl.**
USPC **D6/672**
- (58) **Field of Classification Search**
USPC D6/675.2, 674, 707, 675.4, 675.1, 660, D6/672, 678.1, 673, 682, 702, 703, 703.3, D6/703.5, 705.4, 705.7, 707.19, 707.24; 211/180, 187, 119.003, 193, 59.2, 186, 211/13.1; 108/108, 179; D23/330, 332, D23/333, 335, 351, 354, 356, 359, 364, 370
CPC A47F 5/04; A47F 5/0838; A47F 7/021
See application file for complete search history.

(56) **References Cited**

U.S. PATENT DOCUMENTS

D112,041 S *	11/1938	Dunham	D6/675.1
D265,034 S *	6/1982	Lickey	D6/675.1
4,526,110 A	7/1985	Franz		
4,676,395 A	6/1987	Croé		
D293,865 S	1/1988	Robertson		

D294,090 S	2/1988	Robertson		
D299,392 S	1/1989	Hunt		
4,798,013 A	1/1989	Sainato		
4,951,827 A	8/1990	Moransais		
D323,210 S *	1/1992	Wortham	D23/364
D327,996 S *	7/1992	Warfield	D6/407
D330,652 S *	11/1992	Goetz	D6/675.1
D332,358 S *	1/1993	Sullivan	D6/660
D336,803 S	6/1993	Stoddard et al.		

(Continued)

OTHER PUBLICATIONS

Lifesmart Tower Heater, available Nov. 20, 2013, [online], [site visited Nov. 6, 2015]. Available from internet, <URL: <http://www.amazon.com/Lifesmart-Commander-Infrared-Quartz-Ionizer/dp/B00F4BHIXC>>.*

Primary Examiner — Cathron Brooks
Assistant Examiner — Teddy Falloway

(74) *Attorney, Agent, or Firm* — Leanne Taveggia Farrell; Westman, Champlin & Koehler, P.A.

(57) **CLAIM**

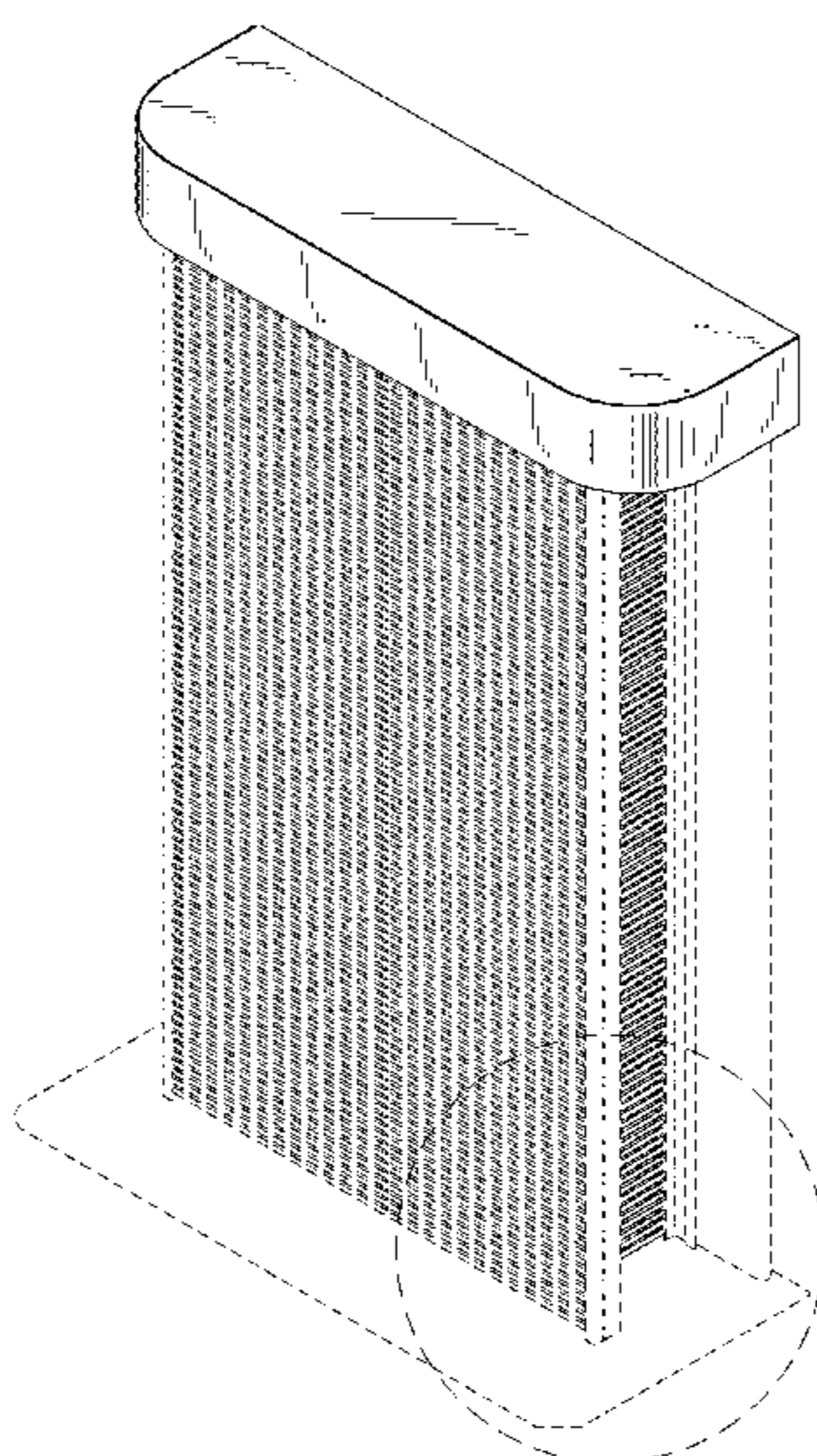
The ornamental design for a display fixture, as shown and described.

DESCRIPTION

FIG. 1 is a top perspective view of a display fixture showing our new design;
FIG. 2 is a partial enlarged view of FIG. 1;
FIG. 3 is a front view thereof;
FIG. 4 is a right side view thereof;
FIG. 5 is a left side view thereof; and,
FIG. 6 is a top view thereof.

The broken lines shown in the drawings are included for purposes of illustrating portions of the display fixture. All of the broken lines that are visible beyond the horizontal elements in FIG. 2 illustrate portions of the display fixture that form no part of the claimed design.

1 Claim, 4 Drawing Sheets



(56)

References Cited

U.S. PATENT DOCUMENTS

5,291,396 A 3/1994 Calcerano et al.
 D346,855 S * 5/1994 Chiu D23/328
 D351,076 S 10/1994 Eliadis et al.
 D363,623 S 10/1995 Rushing
 D373,913 S 9/1996 Wyatt et al.
 5,564,579 A 10/1996 Pynenburg et al.
 5,573,124 A 11/1996 Frost
 5,593,048 A 1/1997 Johnson
 D400,738 S 11/1998 Bustos et al.
 5,947,307 A 9/1999 Battaglia et al.
 6,015,124 A 1/2000 Loy
 D420,532 S * 2/2000 Avery D6/678.1
 6,105,796 A 8/2000 Buchanan et al.
 6,119,875 A 9/2000 Smith
 D463,181 S 9/2002 Patik
 6,470,611 B1 10/2002 Conway et al.
 6,675,978 B2 1/2004 Shea
 6,877,618 B2 4/2005 Mason
 6,880,708 B2 4/2005 Boron
 6,942,110 B2 9/2005 Martins
 7,007,814 B2 3/2006 Ploix
 D520,265 S 5/2006 Sparkowski
 D534,376 S 1/2007 Sparkowski

D537,274 S 2/2007 Pirro et al.
 D560,080 S * 1/2008 Shoenberger D6/702
 D565,159 S * 3/2008 Shin D23/356
 7,387,213 B1 6/2008 Smalley
 7,438,186 B2 10/2008 Markson et al.
 D591,531 S 5/2009 Sparkowski
 D620,569 S * 7/2010 Hall, Jr. D23/314
 7,988,244 B2 8/2011 Haws, Jr.
 D653,491 S * 2/2012 Nielsen D6/629
 D654,727 S 2/2012 Shea
 D683,835 S * 6/2013 Katou D23/351
 D688,362 S * 8/2013 Thomas D23/356
 D690,139 S * 9/2013 Trinh D6/672
 D700,464 S * 3/2014 Brevda D6/675
 D724,869 S * 3/2015 Trinh D6/672
 D741,465 S * 10/2015 Satou D23/364
 2002/0130096 A1 * 9/2002 Brozak, Jr. A47F 7/021
 211/85.1
 2004/0211741 A1 10/2004 Bustos et al.
 2006/0011565 A1 1/2006 Pirro et al.
 2009/0076650 A1 3/2009 Faes
 2011/0192812 A1 8/2011 Weigand et al.
 2011/0315645 A1 12/2011 Fadrowski
 2012/0193311 A1 8/2012 Benasillo
 2013/0240461 A1 * 9/2013 Brevda A47F 5/0838
 211/13.1

* cited by examiner

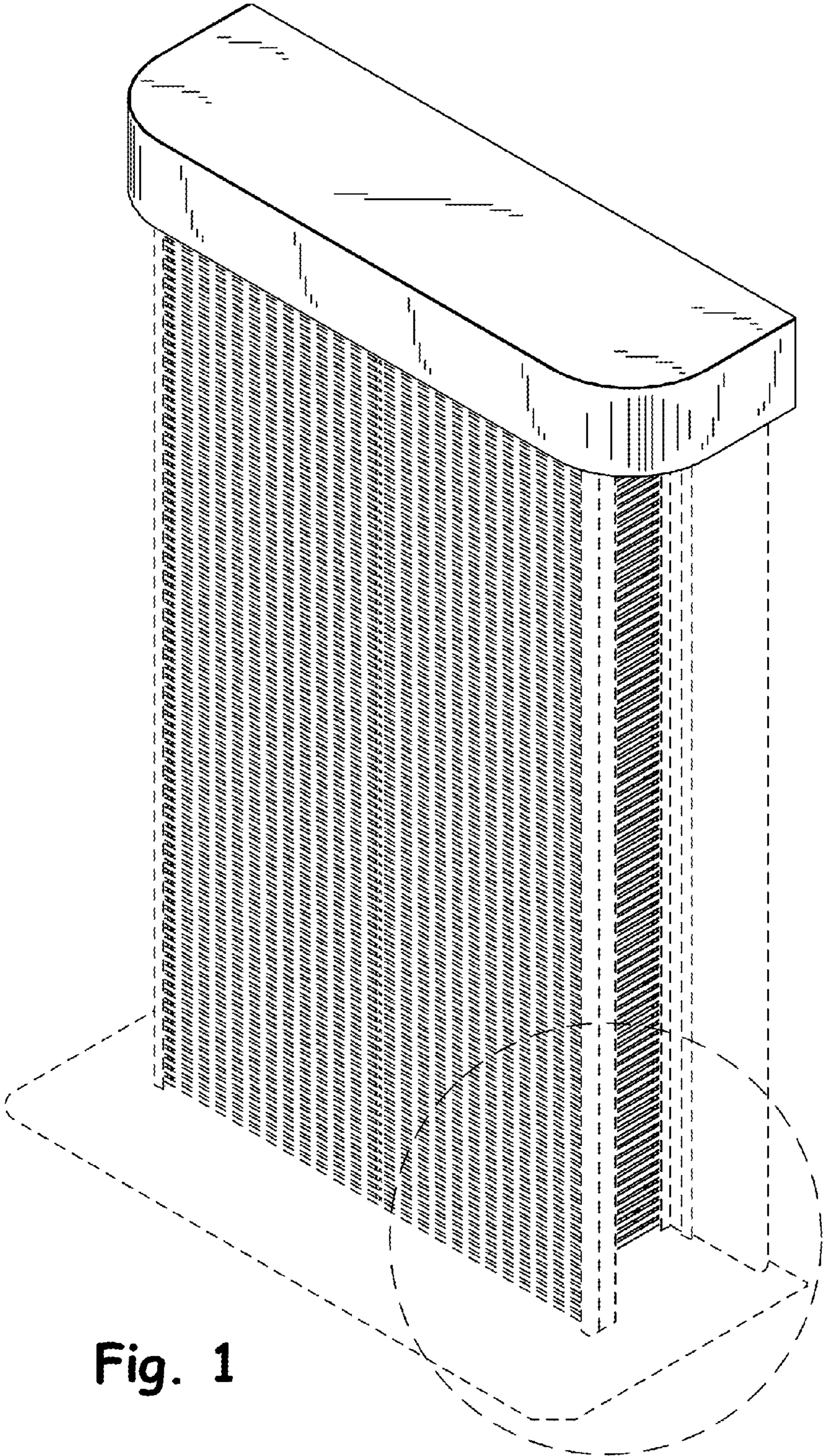


Fig. 1

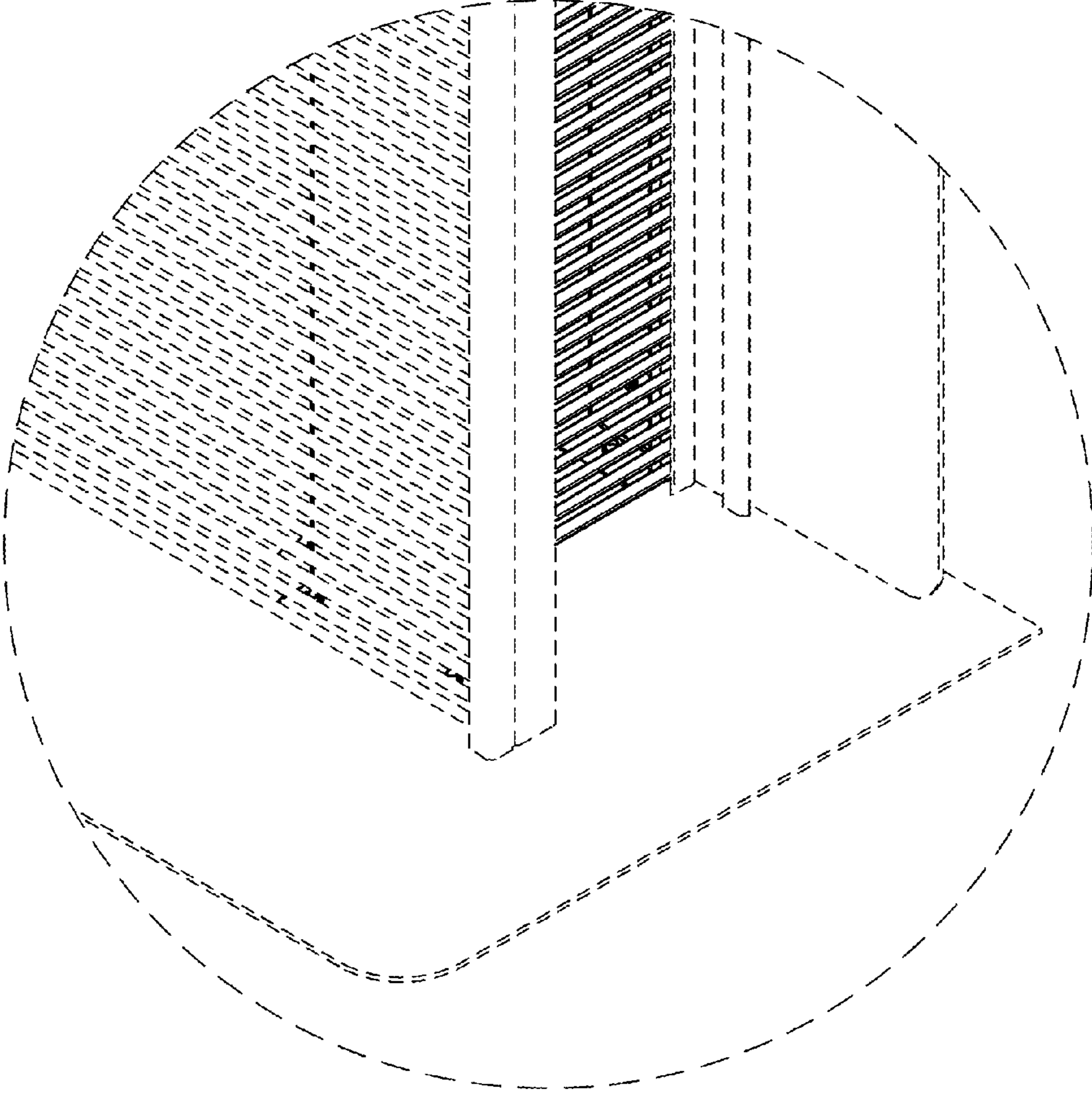


Fig. 2

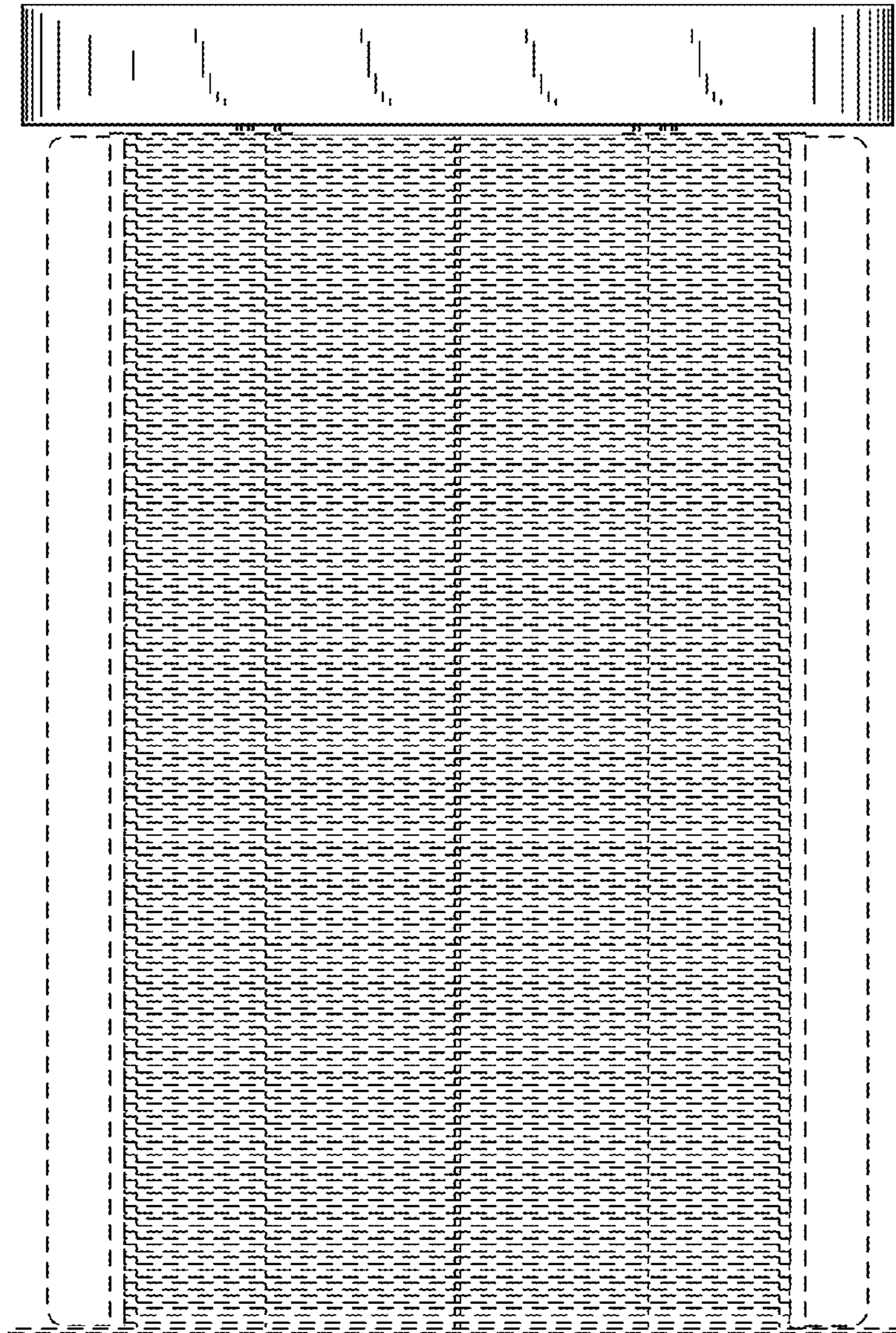


Fig. 3

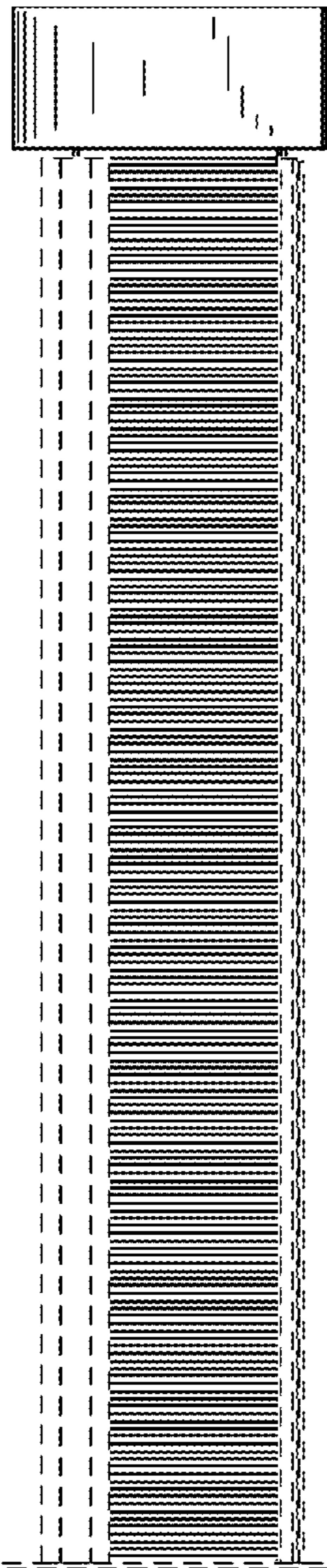


Fig. 4

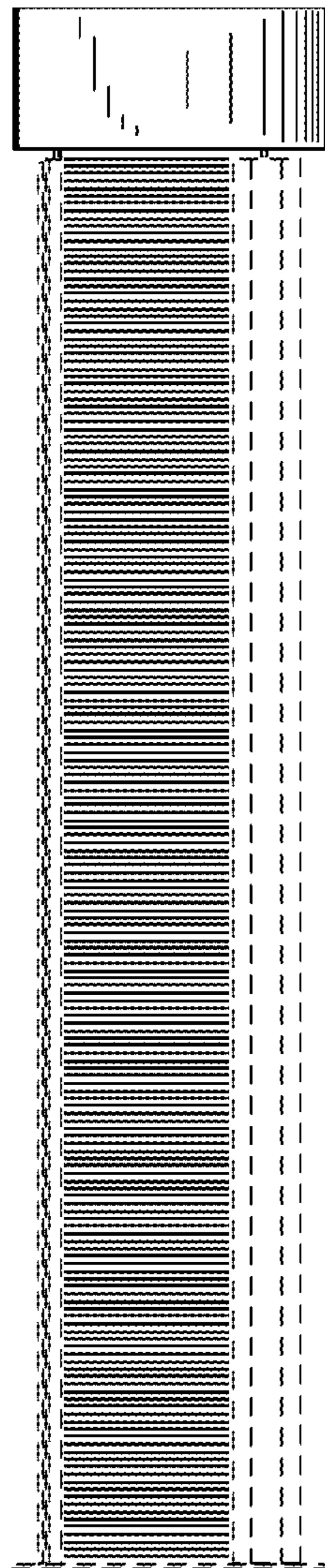


Fig. 5

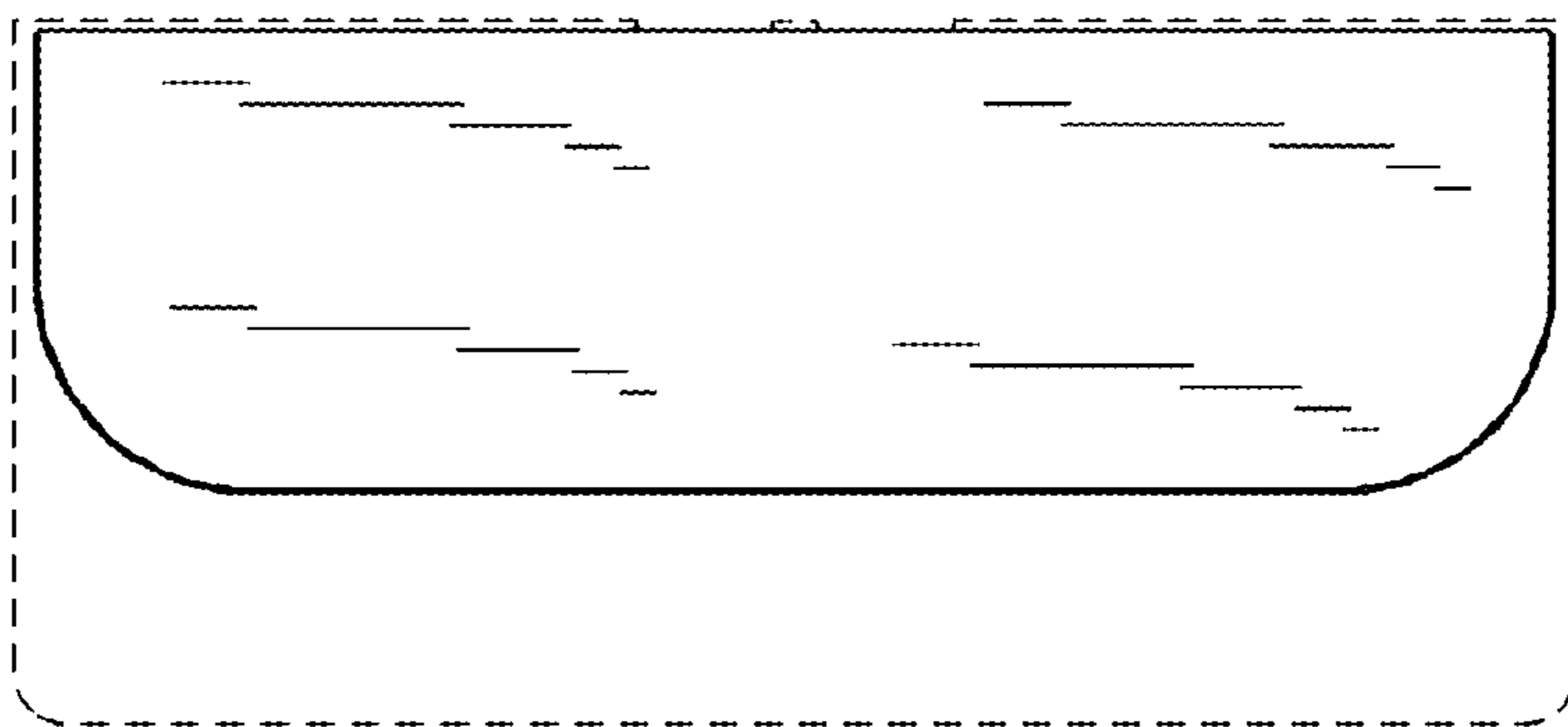


Fig. 6