



US00D755544S

(12) **United States Design Patent**  
**Peterson**

(10) **Patent No.:** **US D755,544 S**

(45) **Date of Patent:** **\*\* May 10, 2016**

(54) **MATTRESS**

2011/0035977 A1\* 2/2011 Wilson ..... G08G 1/095  
40/582

(71) Applicant: **Peterson Chemical Technology, Inc.**,  
Fort Smith, AR (US)

**OTHER PUBLICATIONS**

(72) Inventor: **Bruce W. Peterson**, Fort Smith, AR  
(US)

Trademark Registration No. 3777472, Apr. 20, 2010, First used in  
commerce—2003 (Registrant) Joe Products, Inc. Corporation Dela-  
ware.\*

(73) Assignee: **PETERSON CHEMICAL  
TECHNOLOGY, LLC**, West Lake  
Hills, TX (US)

Trademark Serial No. 86508001, Jan. 20, 2015, First used in com-  
merce—May 11, 2015 (Applicant) Got That, LLC Limited Liability  
Company New Mexico.\*

(\*\*) Term: **14 Years**

\* cited by examiner

(21) Appl. No.: **29/485,336**

*Primary Examiner* — Mary Ann Calabrese

(22) Filed: **Mar. 18, 2014**

(74) *Attorney, Agent, or Firm* — Mossman, Kumar & Tyler,  
PC

(51) **LOC (10) Cl.** ..... **06-09**

(52) **U.S. Cl.**  
USPC ..... **D6/606**

(58) **Field of Classification Search**  
USPC ..... D6/595–601, 604–606; D24/183;  
D30/118, 119; D20/22–33, 40; D5/27;  
D14/492, 495; D18/27, 33  
CPC ..... A47C 20/00; A47G 9/10; A47G 9/1027;  
A47G 9/1045; A47G 9/1054; A47G 9/1063;  
A47G 9/1072; A47G 9/1081; A47G 9/109  
See application file for complete search history.

(57) **CLAIM**

The ornamental design for a mattress, substantially as shown  
and described.

**DESCRIPTION**

FIG. 1 is a front/top perspective view of a mattress showing  
one embodiment of the new design;  
FIG. 2 is a front/top perspective view a mattress showing  
another embodiment of the new design;  
FIG. 3 is a front/top perspective view a mattress showing  
another embodiment of the new design;  
FIG. 4 is a front/top perspective view a mattress showing  
another embodiment of the new design; and,  
FIG. 5 is a top plan view a mattress showing the embodiment  
of FIG. 1.

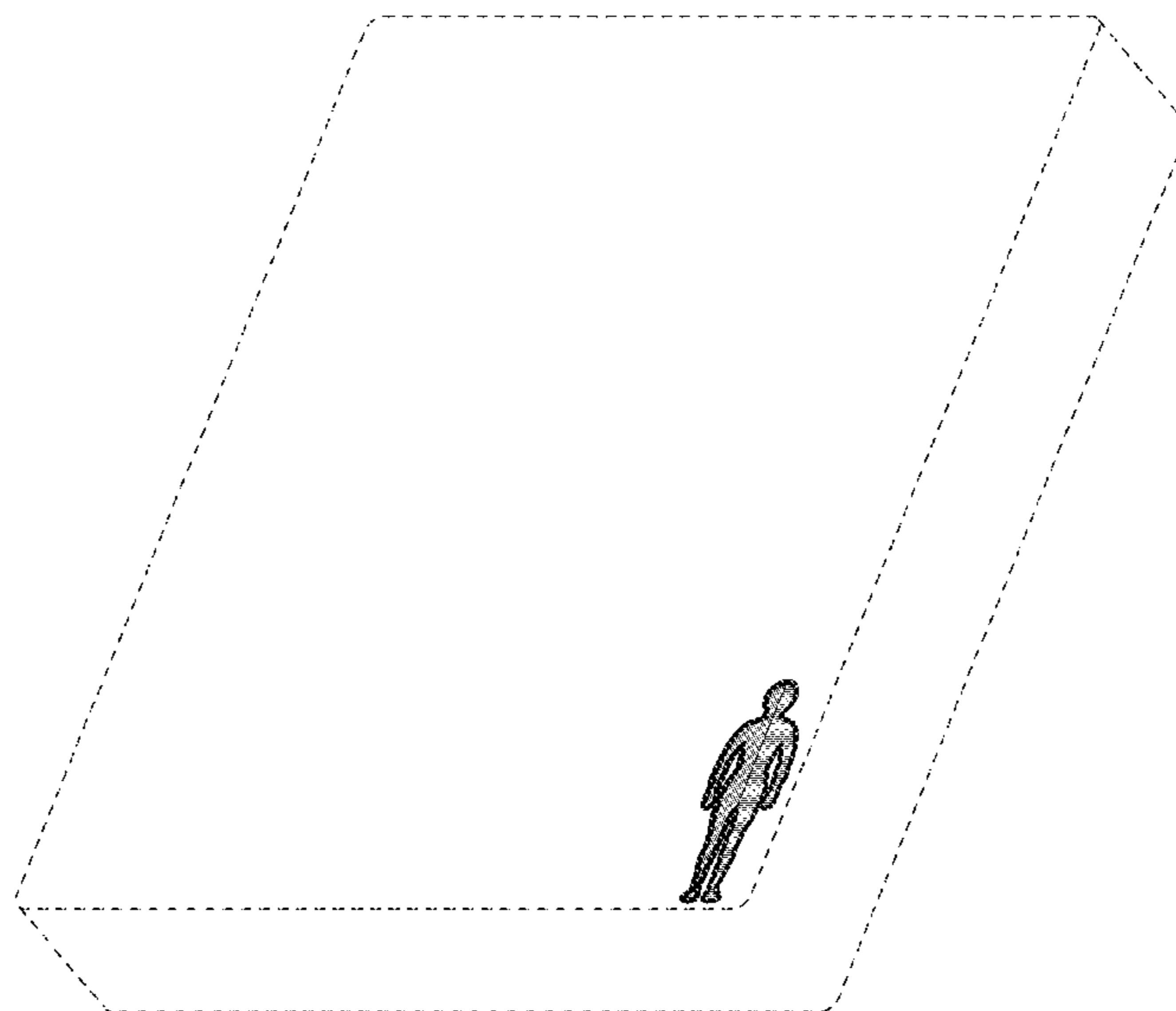
In the drawings, the broken lines illustrate environment and  
form no part of the claimed design.

(56) **References Cited**

**U.S. PATENT DOCUMENTS**

D400,196 S *	10/1998	Cameron	.....	D14/495
D471,227 S *	3/2003	Gray	.....	D14/488
D673,177 S *	12/2012	McKiernan	.....	D14/495
D738,926 S *	9/2015	Mahaffey	.....	D14/495
2006/0112602 A1 *	6/2006	Malek	.....	G09F 9/33 40/544
2010/0100848 A1 *	4/2010	Ananian	.....	G06F 3/0482 715/834

**1 Claim, 5 Drawing Sheets**



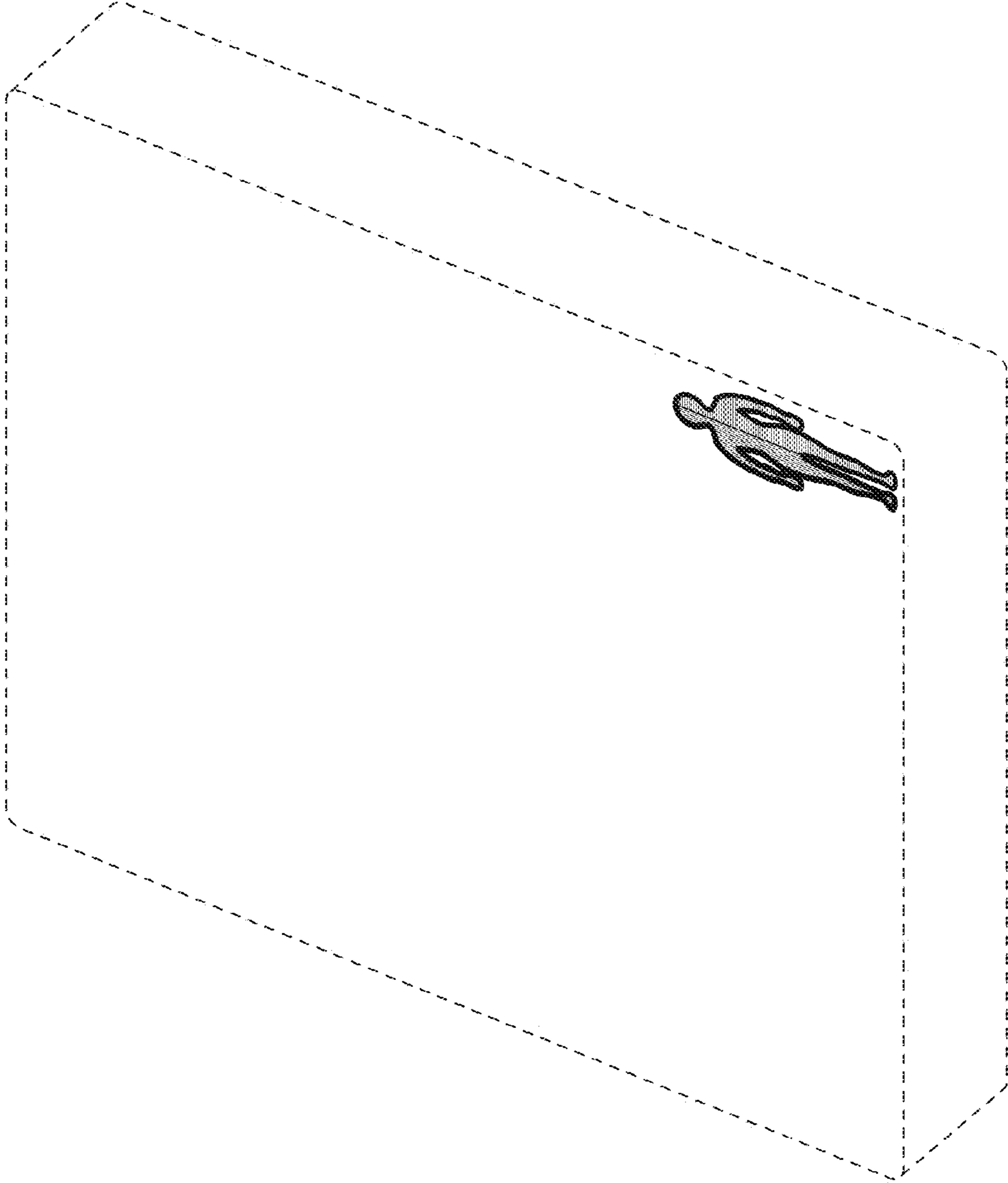


FIG. 1

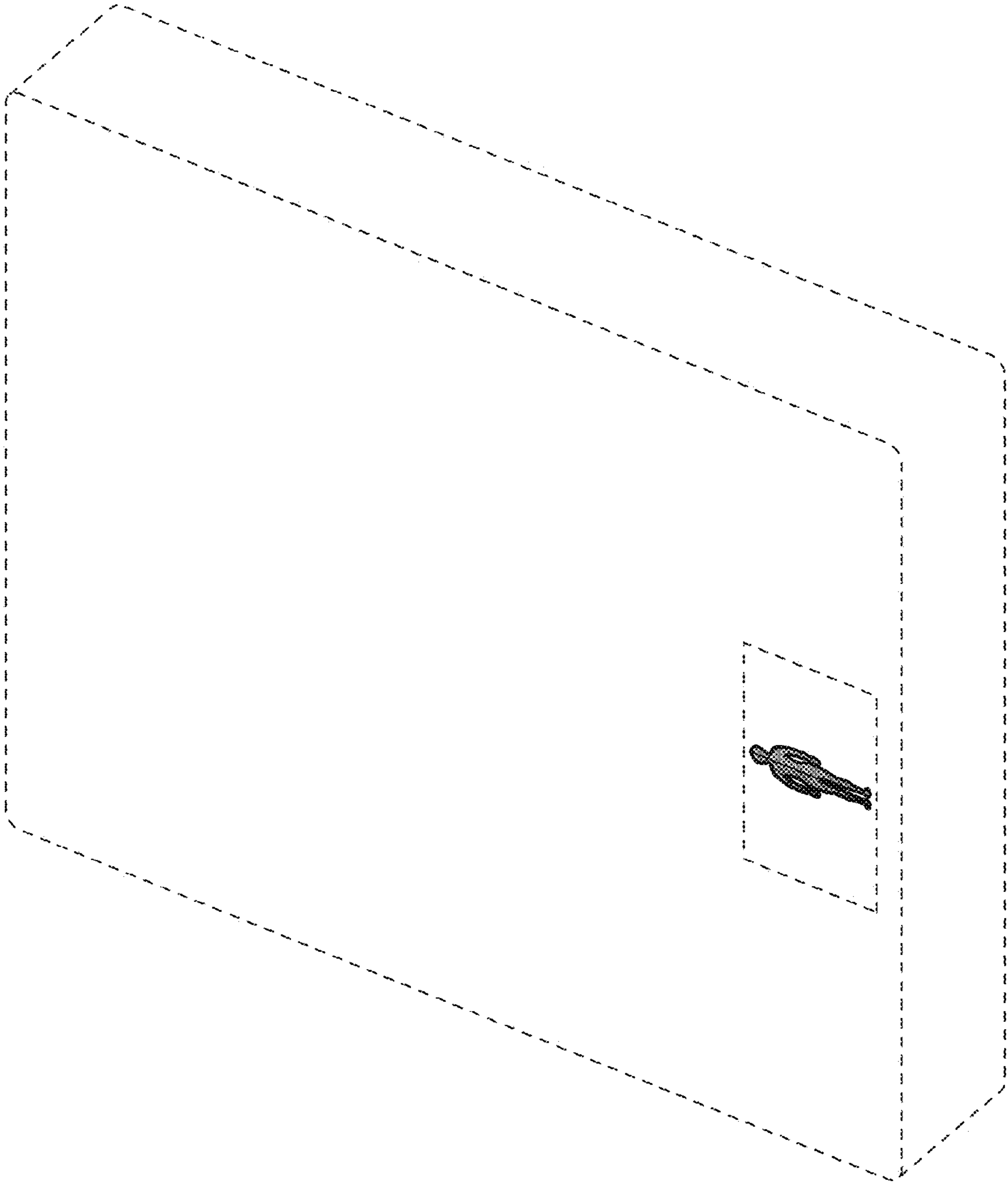


FIG. 2

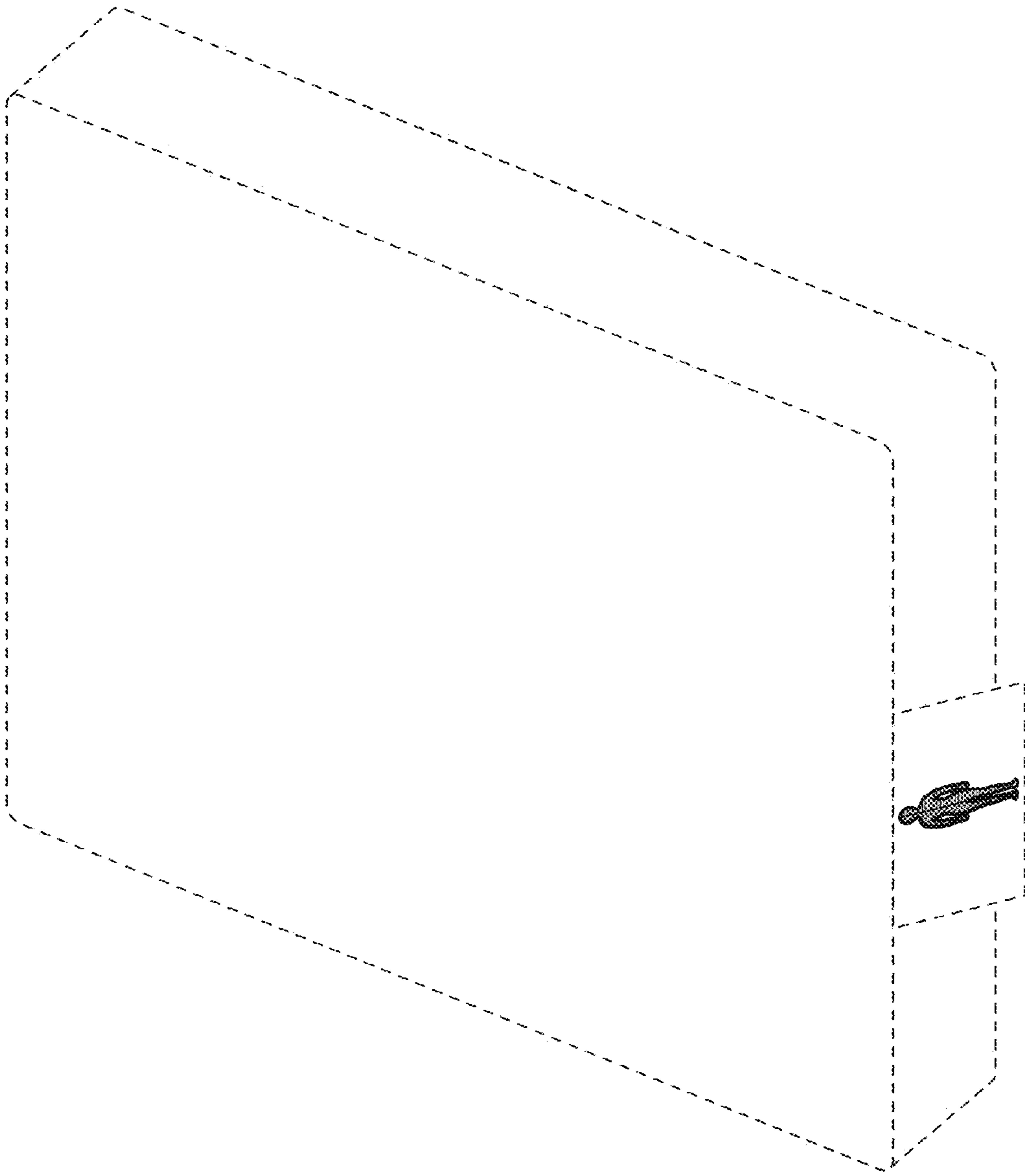


FIG. 3

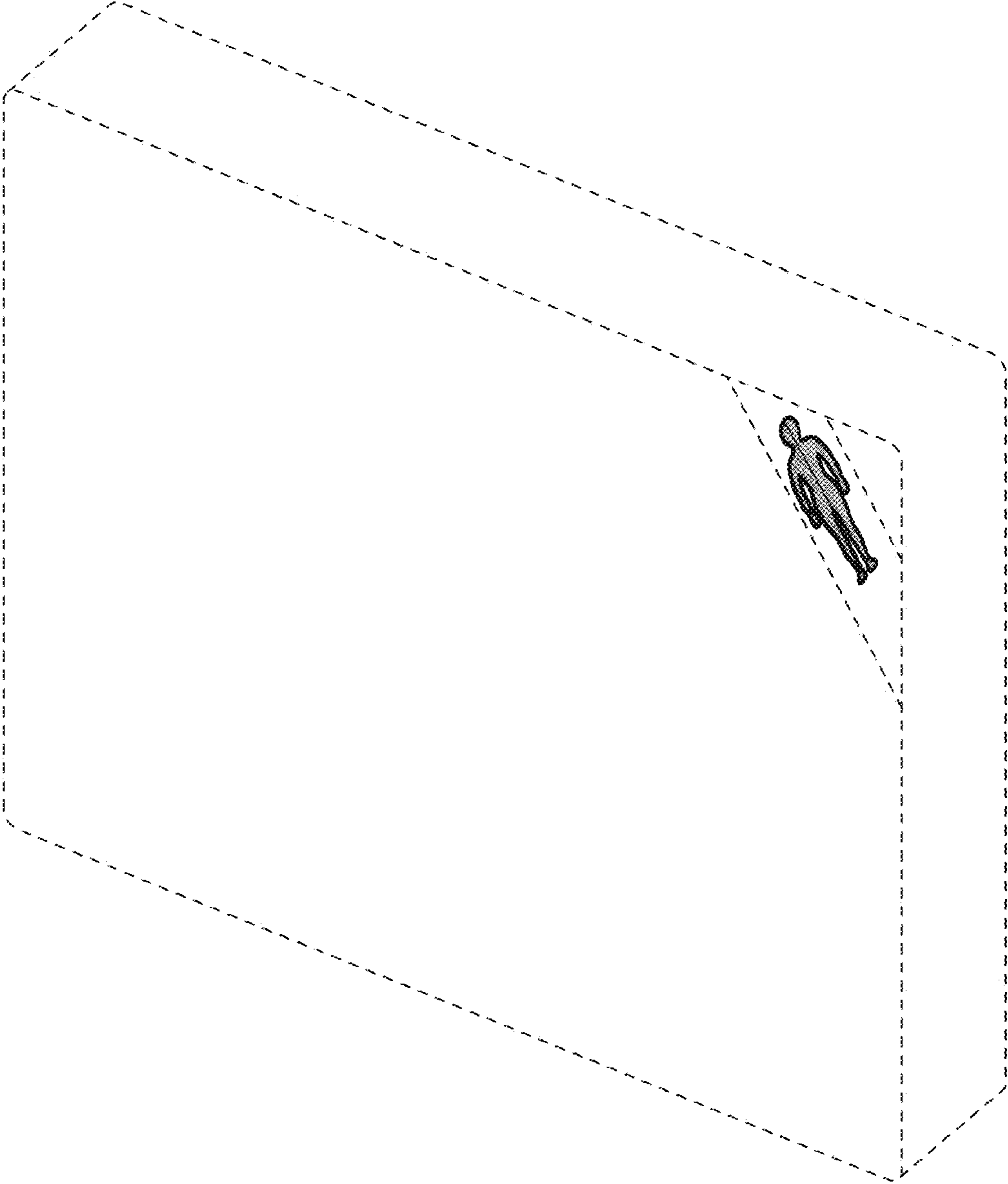


FIG. 4

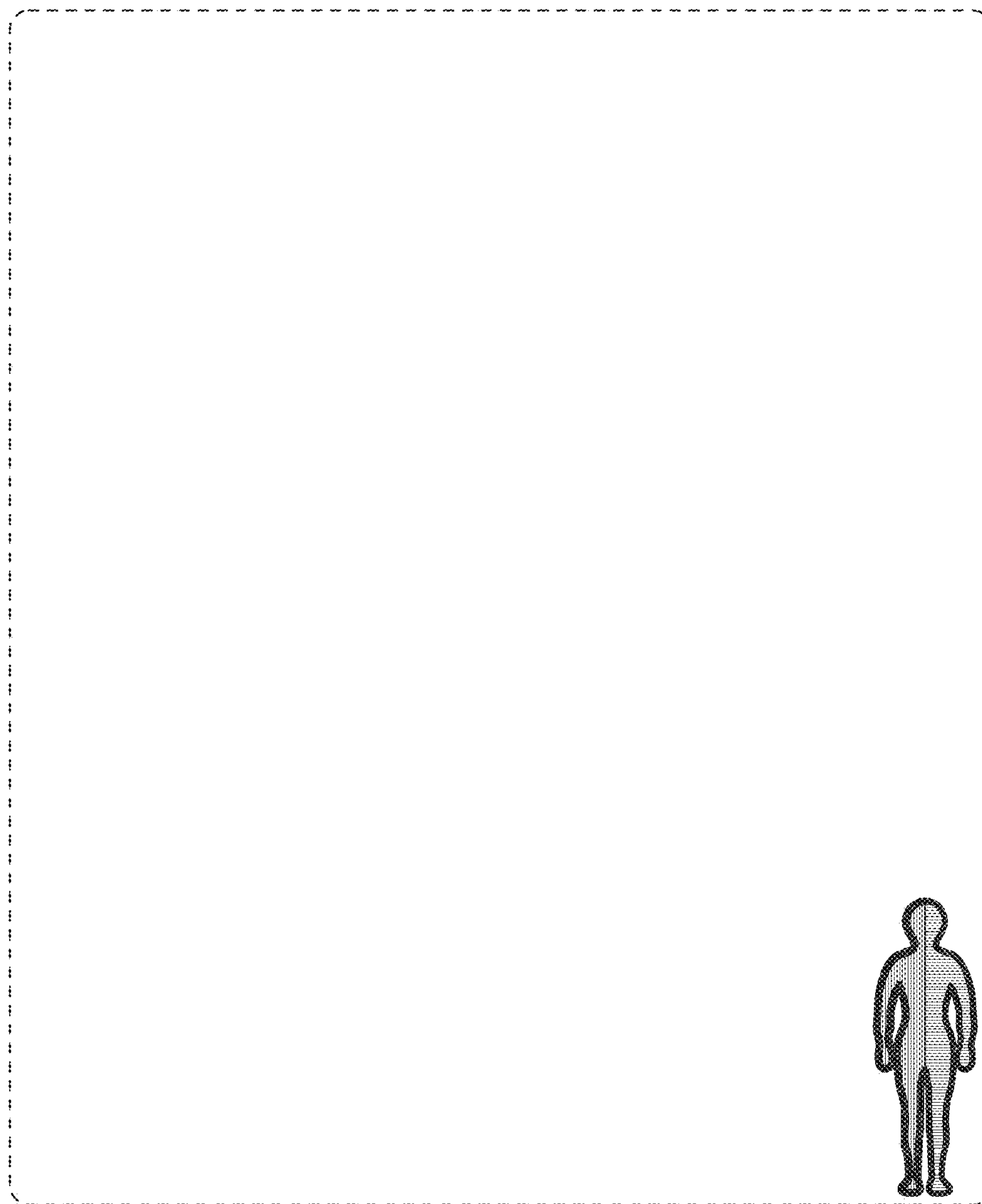


FIG. 5