



US00D755543S

(12) **United States Design Patent**  
**Upadhyay**

(10) **Patent No.:** **US D755,543 S**  
(45) **Date of Patent:** **\*\* May 10, 2016**

(54) **SEAT CUSHION**

(71) Applicant: **Ashish Upadhyay**, Irvine, CA (US)

(72) Inventor: **Ashish Upadhyay**, Irvine, CA (US)

(73) Assignee: **Ashish Upadhyay**, Irvine, CA (US)

(\*\*) Term: **15 Years**

(21) Appl. No.: **29/527,240**

(22) Filed: **May 18, 2015**

(51) **LOC (10) Cl.** ..... **06-09**

(52) **U.S. Cl.**  
USPC ..... **D6/601**

(58) **Field of Classification Search**  
USPC ..... D6/595-601, 604, 611; D21/803, 804;  
D24/183  
CPC ..... A47C 7/12; A47C 7/021; A47C 7/383;  
A47C 7/425; A47C 7/428; A47C 7/546;  
A47C 16/00; A47C 20/00; A47C 20/02;  
A47C 20/021; A47C 20/026; A47C 20/027;  
A47C 31/11; A47C 27/001; A47C 27/081;  
A47C 1/146; A47G 9/00; A47G 9/10; A47G  
9/07; A47G 9/1027; A47G 9/1045; A47G  
9/1054; A47G 9/1063; A47G 9/1072; A47G  
9/1081; A47G 9/109; A47G 2009/1018;  
A47G 2009/1036

See application file for complete search history.

(56) **References Cited**

**U.S. PATENT DOCUMENTS**

- 6,230,348 B1 \* 5/2001 Patrikakis ..... A47C 7/383  
5/636
- D637,439 S \* 5/2011 Mettler ..... D6/601
- D637,440 S \* 5/2011 Mettler ..... D6/601
- 7,958,582 B1 \* 6/2011 Scamardo ..... A47C 7/383  
297/392
- D673,410 S \* 1/2013 O'Connell ..... D6/601

- D681,995 S \* 5/2013 Davis ..... D6/601
- D690,537 S \* 10/2013 Davis ..... D6/601
- D731,813 S \* 6/2015 Durkin ..... D6/601
- D732,313 S \* 6/2015 Fux ..... D6/601
- D746,080 S \* 12/2015 Mittelstadt ..... D6/601
- 2012/0186025 A1 \* 7/2012 Kardos ..... A47C 7/425  
5/655.9
- 2013/0198961 A1 \* 8/2013 Davis ..... A47C 7/62  
5/648
- 2013/0232693 A1 \* 9/2013 Myers ..... A47C 7/383  
5/636
- 2013/0254998 A1 \* 10/2013 Walker ..... A47G 9/1081  
5/637
- 2014/0310877 A1 \* 10/2014 Sternlight ..... A47G 9/10  
5/639
- 2015/0108802 A1 \* 4/2015 Krishtul ..... A47C 7/022  
297/283.1
- 2015/0314715 A1 \* 11/2015 Kilgore ..... A47C 7/383  
5/636

\* cited by examiner

*Primary Examiner* — Rosemary K Tarcza

*Assistant Examiner* — Sanjeev Paul

(57) **CLAIM**

The ornamental design for a seat cushion, as shown and described.

**DESCRIPTION**

FIG. 1 is a front perspective view of the seat cushion showing my new design;

FIG. 2 is a back perspective view thereof;

FIG. 3 is a front view thereof;

FIG. 4 is a rear view thereof;

FIG. 5 is a right side view thereof;

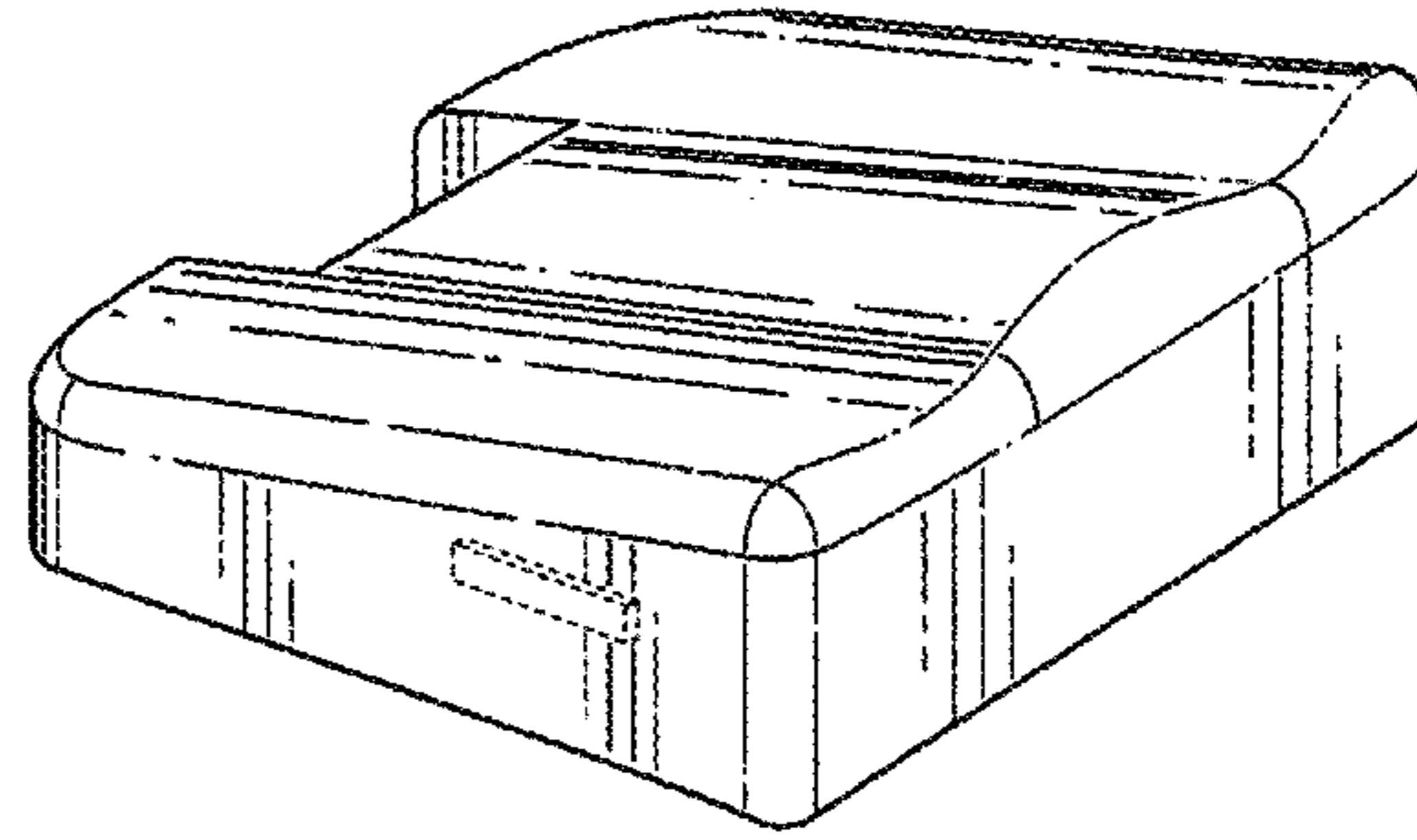
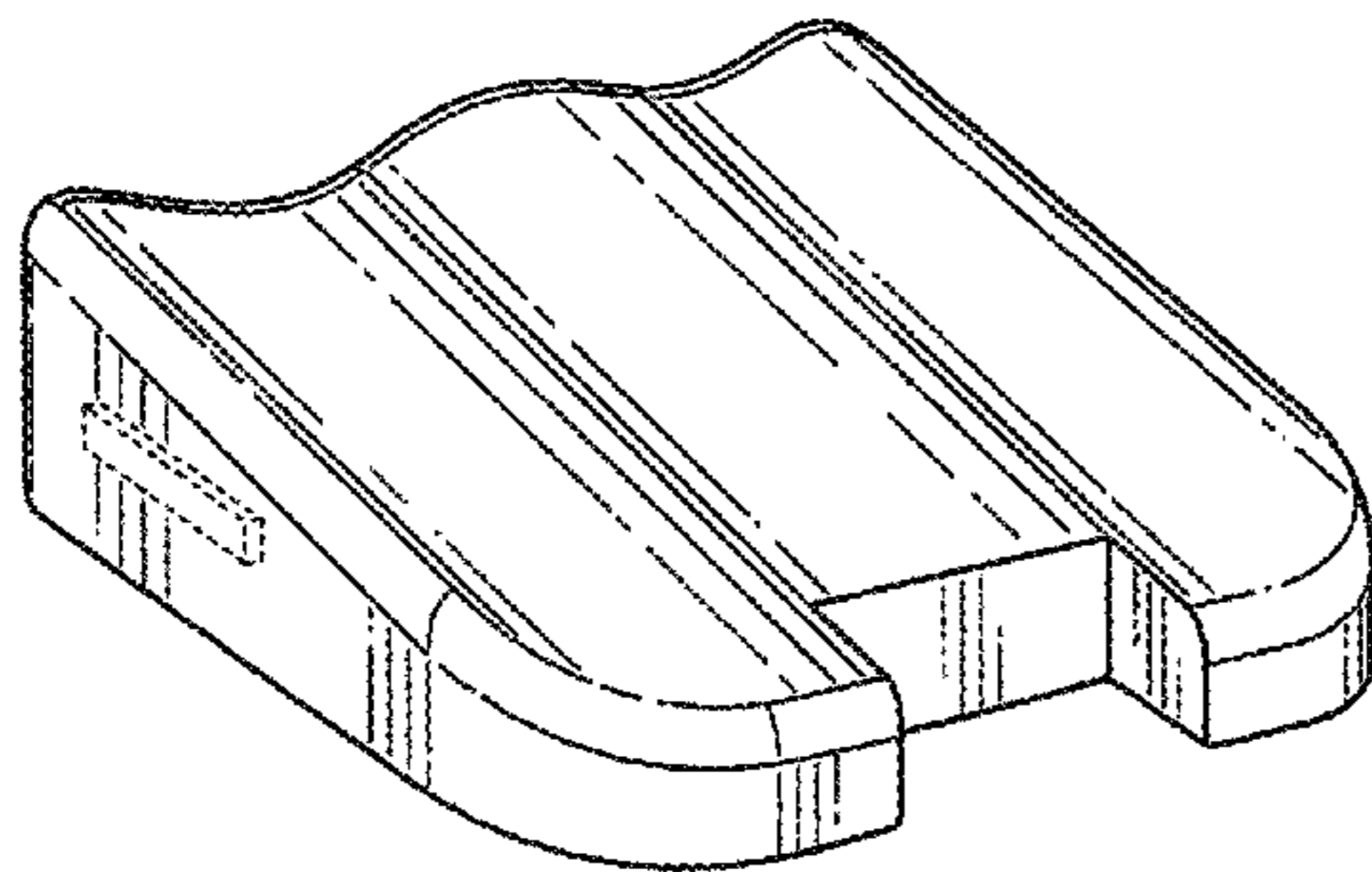
FIG. 6 is a left side view thereof;

FIG. 7 is a top view thereof; and,

FIG. 8 is a bottom view thereof.

The broken lines in the drawings are for the purpose of illustrating unclaimed portions of the seat cushion and form no part of the claimed design.

**1 Claim, 2 Drawing Sheets**



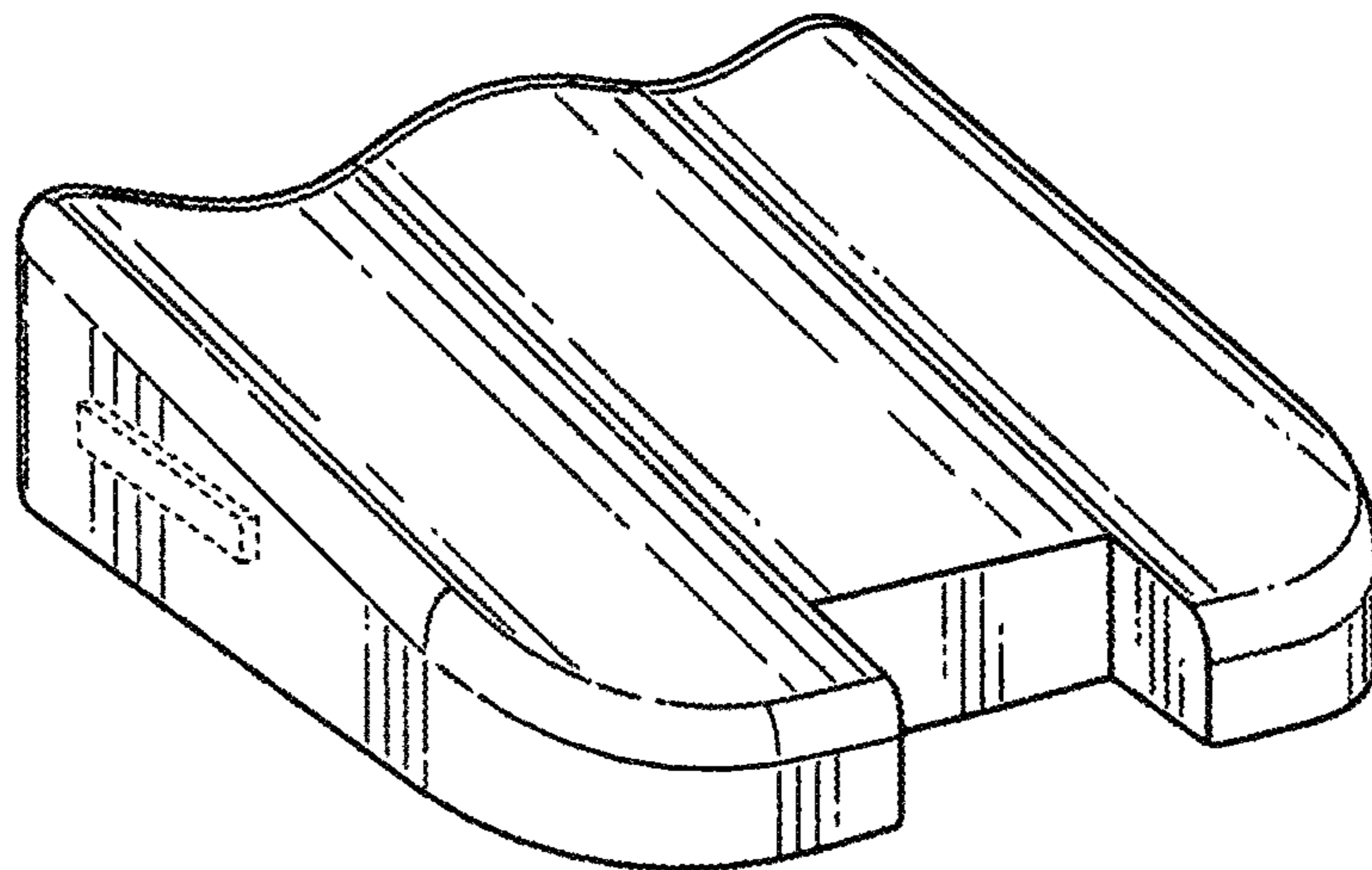


FIG. 1

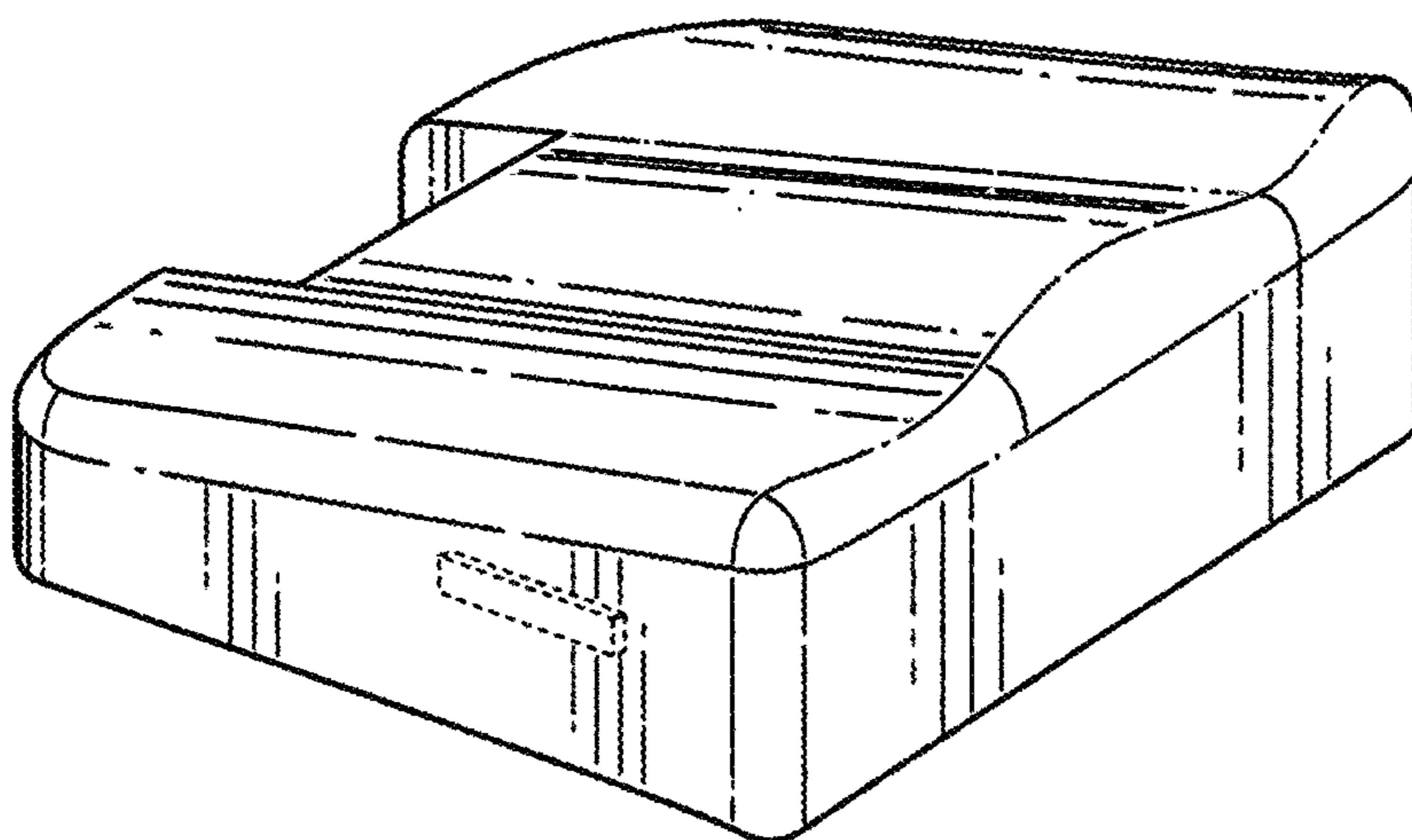


FIG. 2

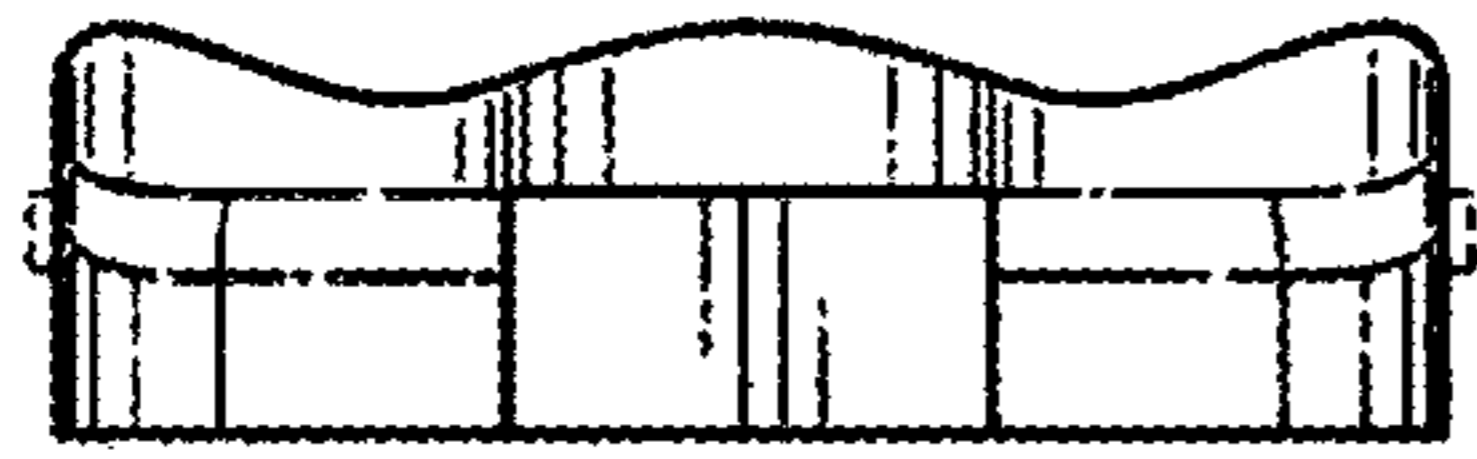


FIG. 3

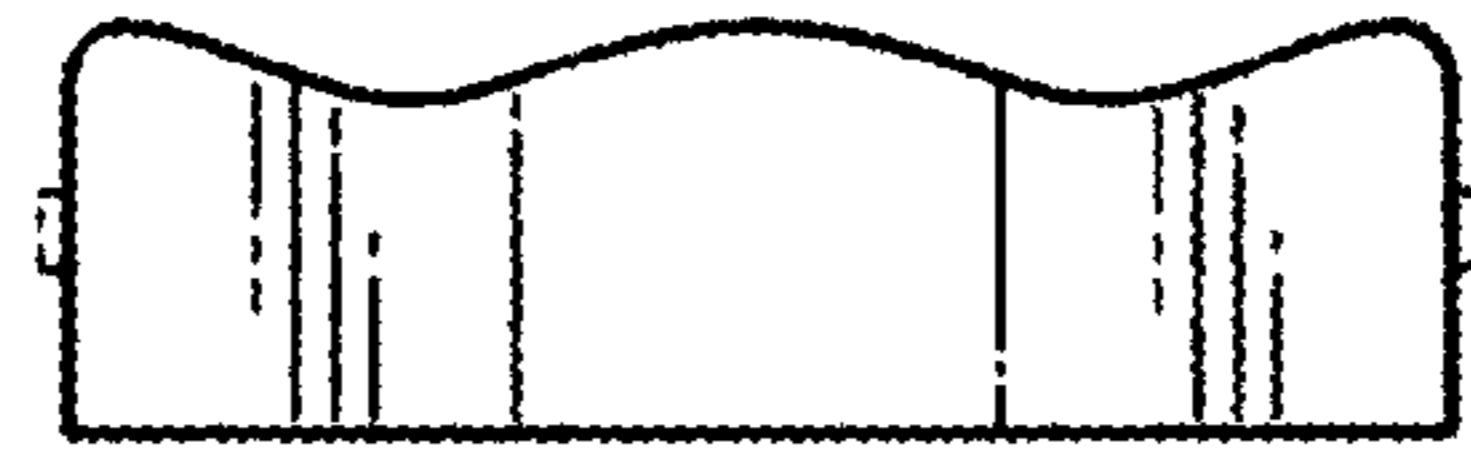


FIG. 4

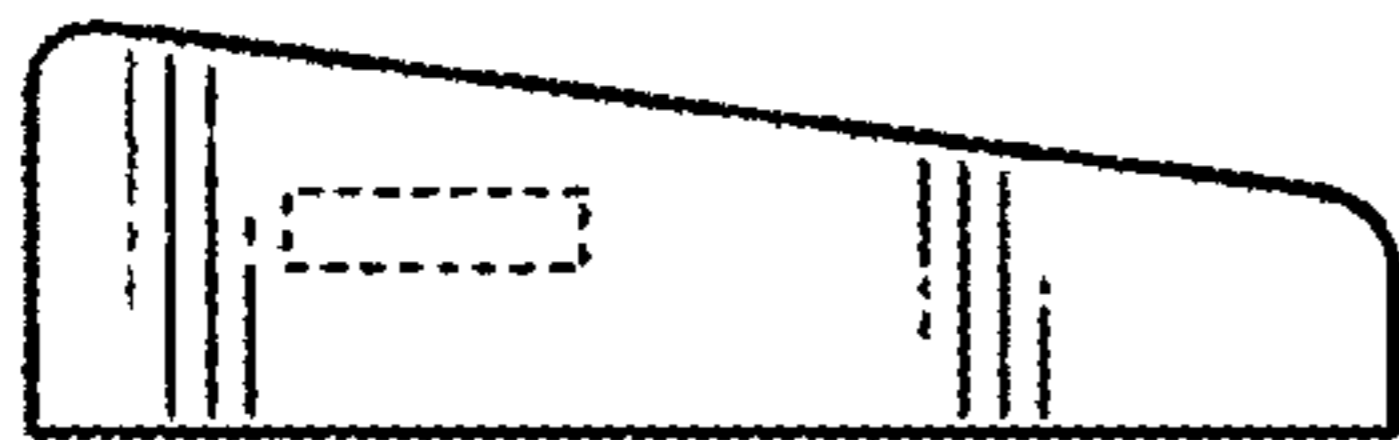


FIG. 5

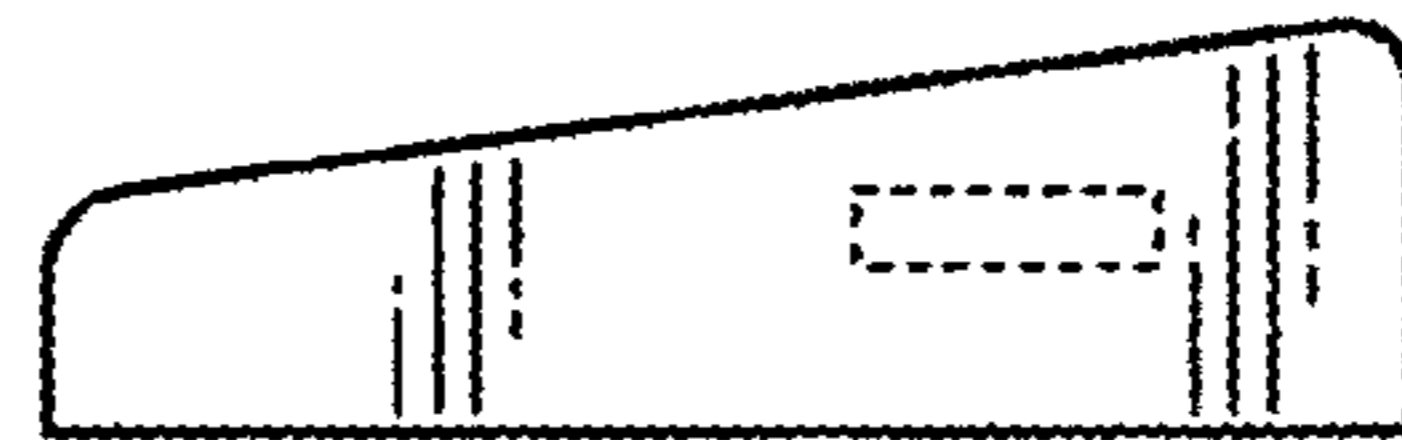


FIG. 6

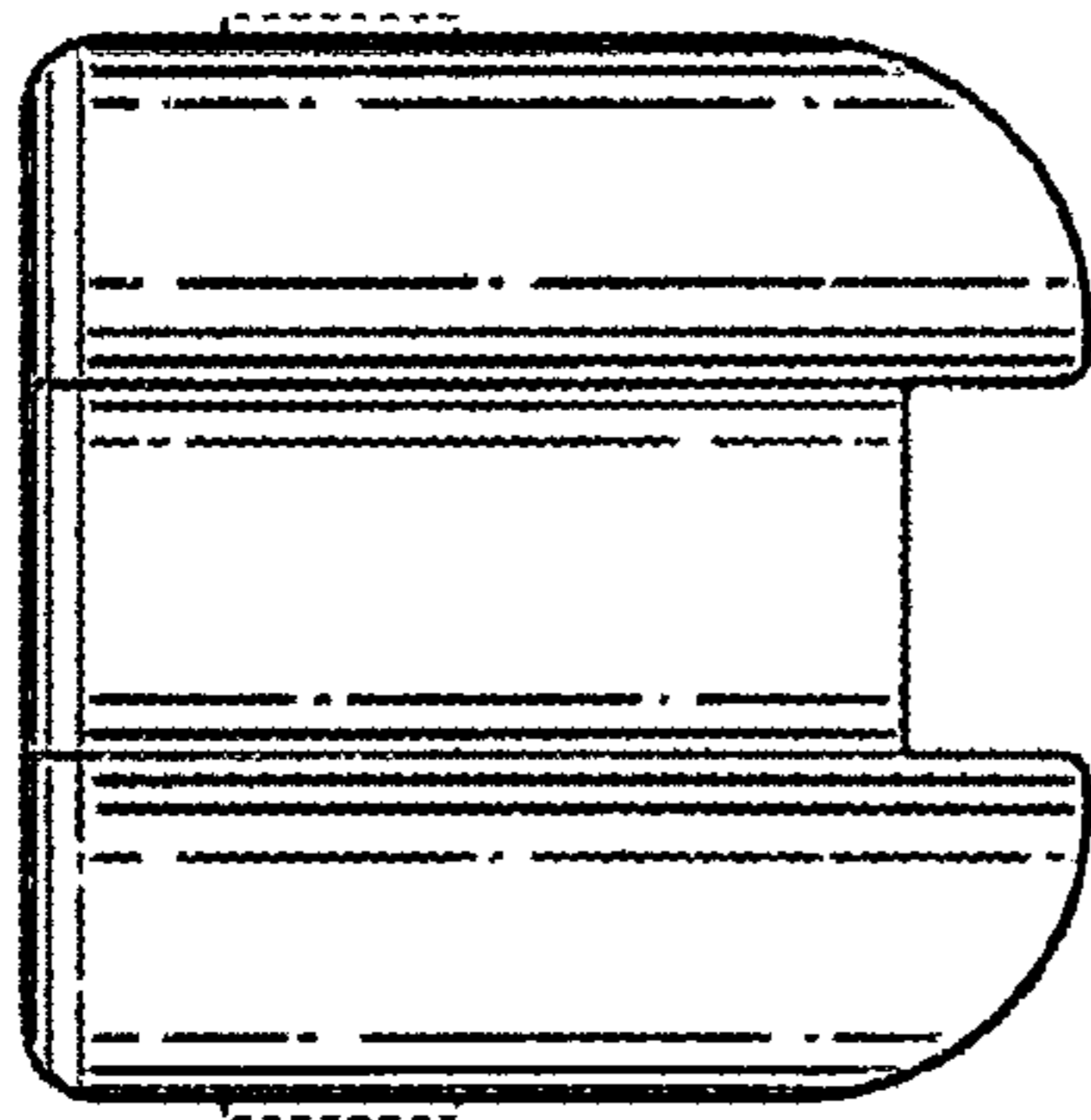


FIG. 7

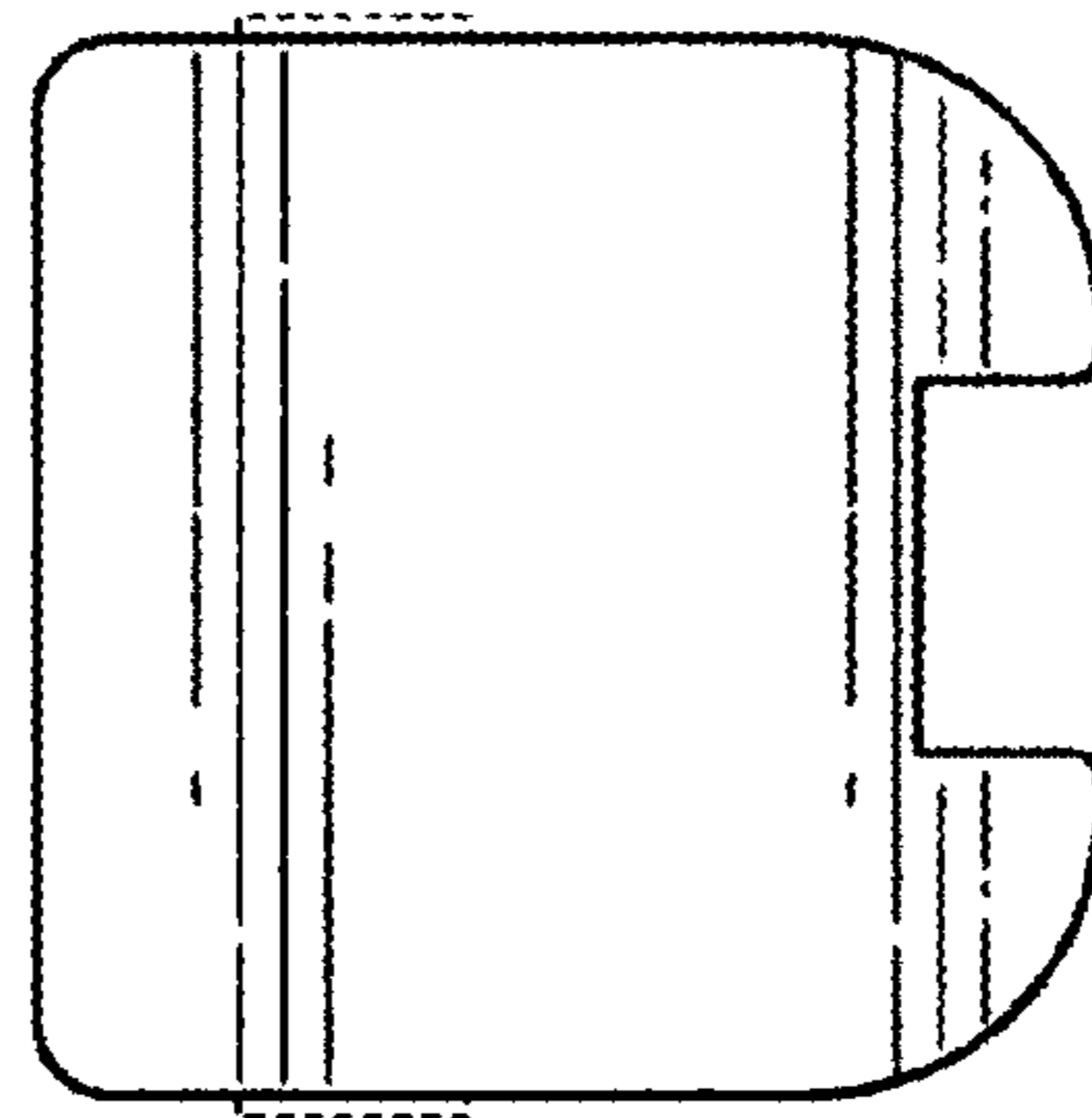


FIG. 8