



US00D755542S

(12) **United States Design Patent**  
**Stephanoff et al.**

(10) **Patent No.:** **US D755,542 S**

(45) **Date of Patent:** **\*\* May 10, 2016**

(54) **POSTURAL SUPPORT CUSHION**

(56) **References Cited**

(71) Applicants: **Jeffrey Steven Stephanoff**, Redondo Beach, CA (US); **Lauren Nazari Stephanoff**, Redondo Beach, CA (US); **Michael Ghanaati Nazari**, Huntington Beach, CA (US)

U.S. PATENT DOCUMENTS

D114,973 S *	5/1939	Eckman	5/633
2,521,780 A *	9/1950	Dodd	A47G 9/1036 4/523
D186,651 S *	11/1959	Porten	D6/596
D449,482 S *	10/2001	Berke	D6/601
D456,659 S *	5/2002	Landvik	D6/601
D626,484 S *	11/2010	Striker	D12/199
D680,654 S *	4/2013	Borreli	D24/188
9,186,004 B2 *	11/2015	Dennewald	A47G 9/1081
2012/0179202 A1 *	7/2012	Pham	A61F 5/01 606/240

(72) Inventors: **Jeffrey Steven Stephanoff**, Redondo Beach, CA (US); **Lauren Nazari Stephanoff**, Redondo Beach, CA (US); **Michael Ghanaati Nazari**, Huntington Beach, CA (US)

\* cited by examiner

*Primary Examiner* — Mary Ann Calabrese

(\*\*) Term: **14 Years**

(57) **CLAIM**

The ornamental design for a postural support cushion, as shown and described.

(21) Appl. No.: **29/504,796**

**DESCRIPTION**

(22) Filed: **Oct. 9, 2014**

(51) **LOC (10) Cl.** ..... **06-09**

(52) **U.S. Cl.**  
USPC ..... **D6/601**

(58) **Field of Classification Search**  
USPC ..... D6/595-601, 604-606; D21/803, 804;  
D24/183, 184; D30/118  
CPC ..... A47C 7/383; A47C 20/00; A47C 20/21;  
A47C 20/25; A47D 13/00; A47D 13/08;  
A47G 9/00; A47G 9/10; A47G 9/1027;  
A47G 9/1036; A47G 9/1081; A47G  
2009/1018; A61F 5/01; A62B 9/06

FIG. 1 is a perspective front view of a postural support cushion;  
FIG. 2 is a front elevation view of the postural support cushion; the rear elevation view being a mirror image thereof;  
FIG. 3 is a left side elevation view of the postural support cushion;  
FIG. 4 is a right side elevation view of the postural support cushion;  
FIG. 5 is a top plan view of the postural support cushion; and,  
FIG. 6 is a bottom plan view of the postural support cushion.  
The drawings are shown broken away to indicate no specific length. The broken lines form no part of the claimed design. The appearance of any portion of the article between the break lines forms no part of the claimed design.

See application file for complete search history.

**1 Claim, 3 Drawing Sheets**

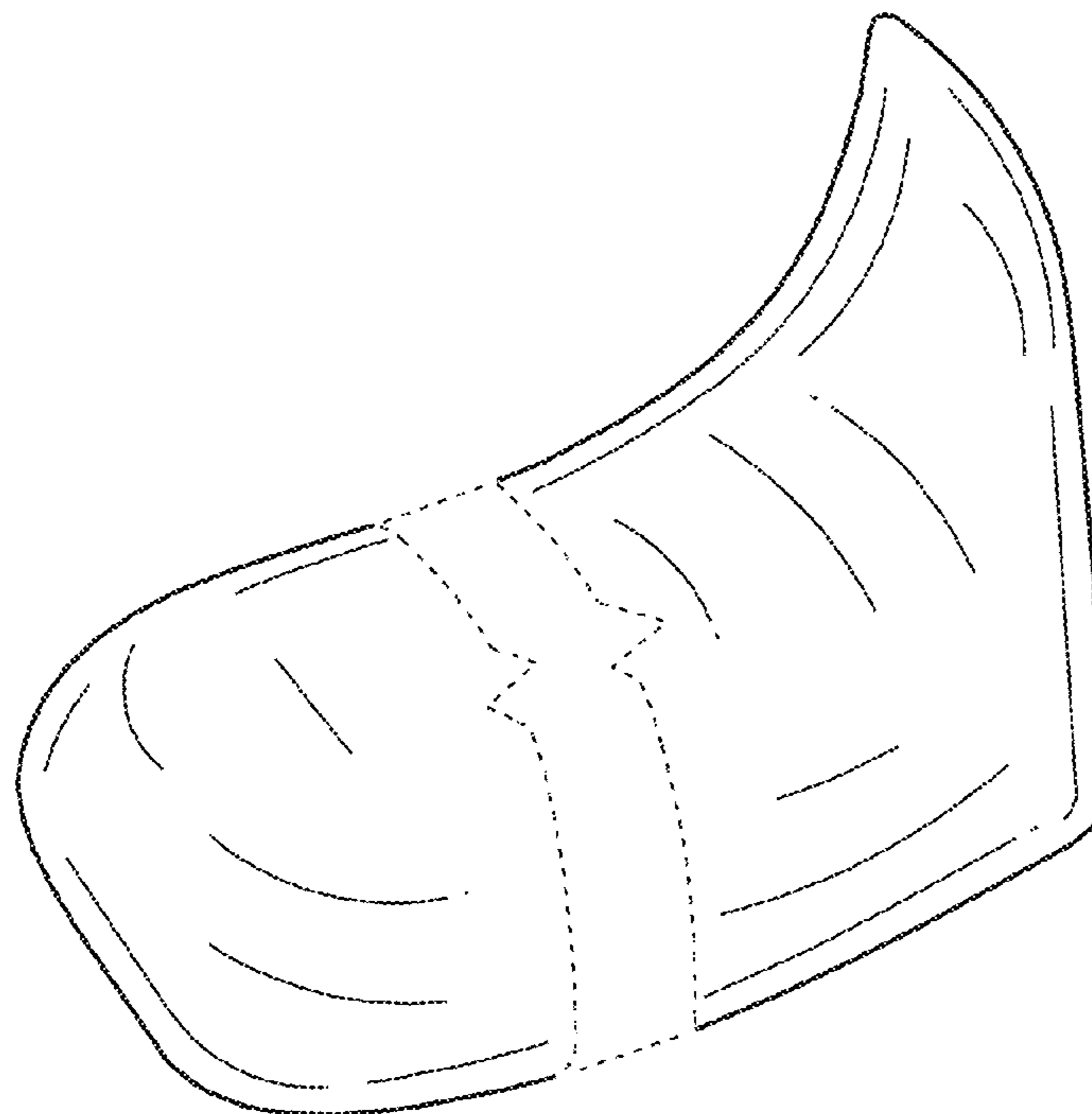


FIG. 1

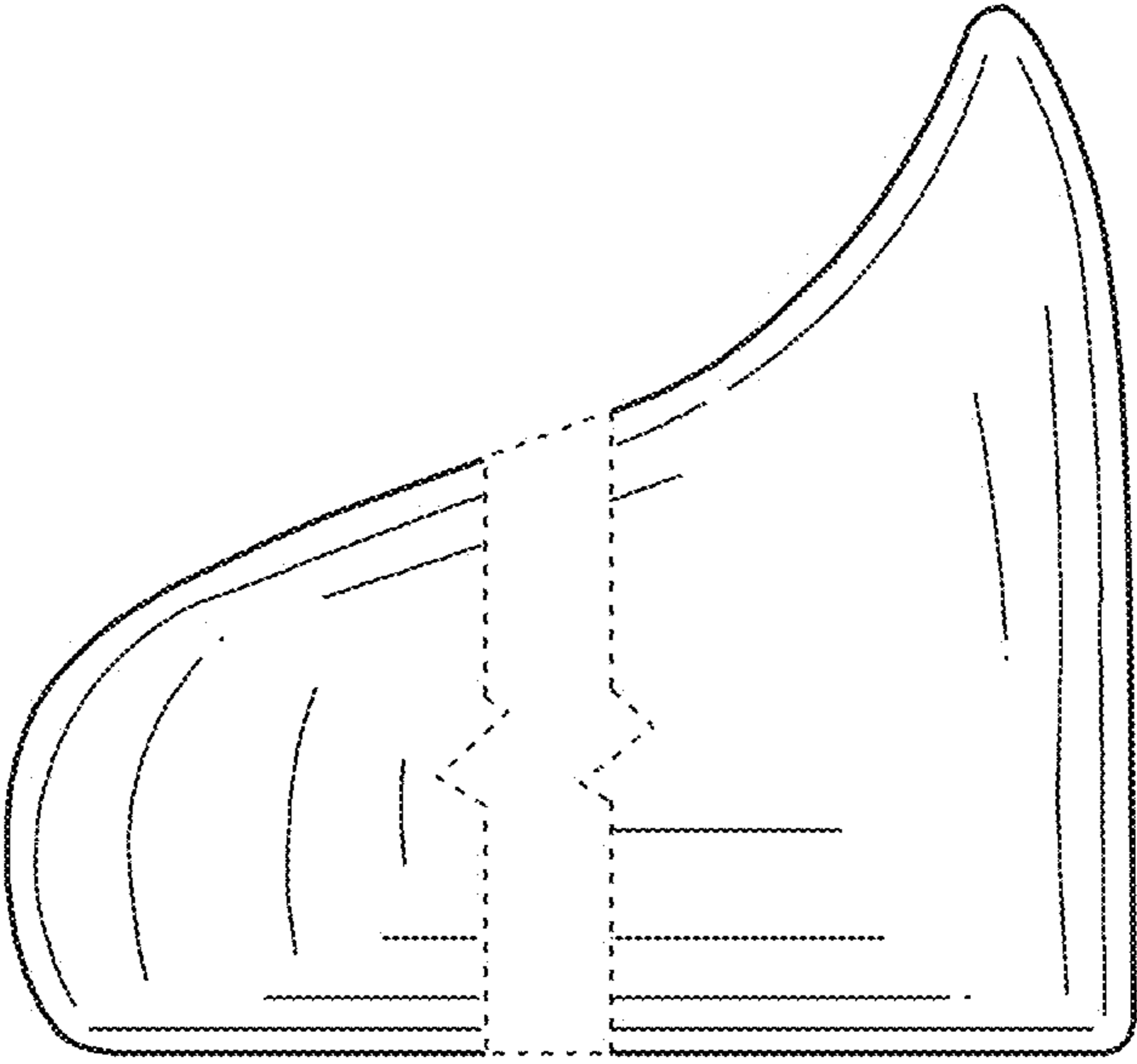
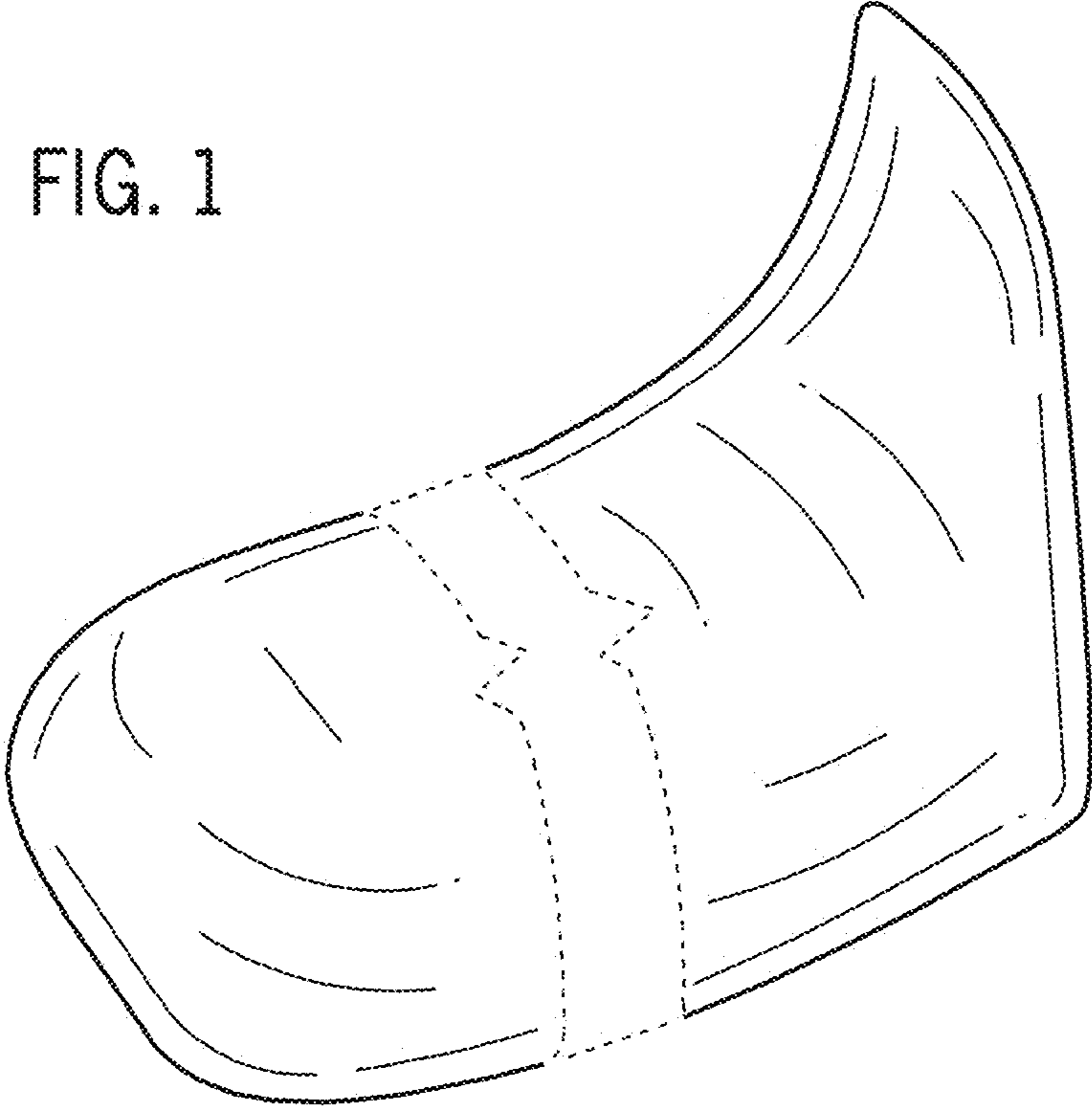


FIG. 2

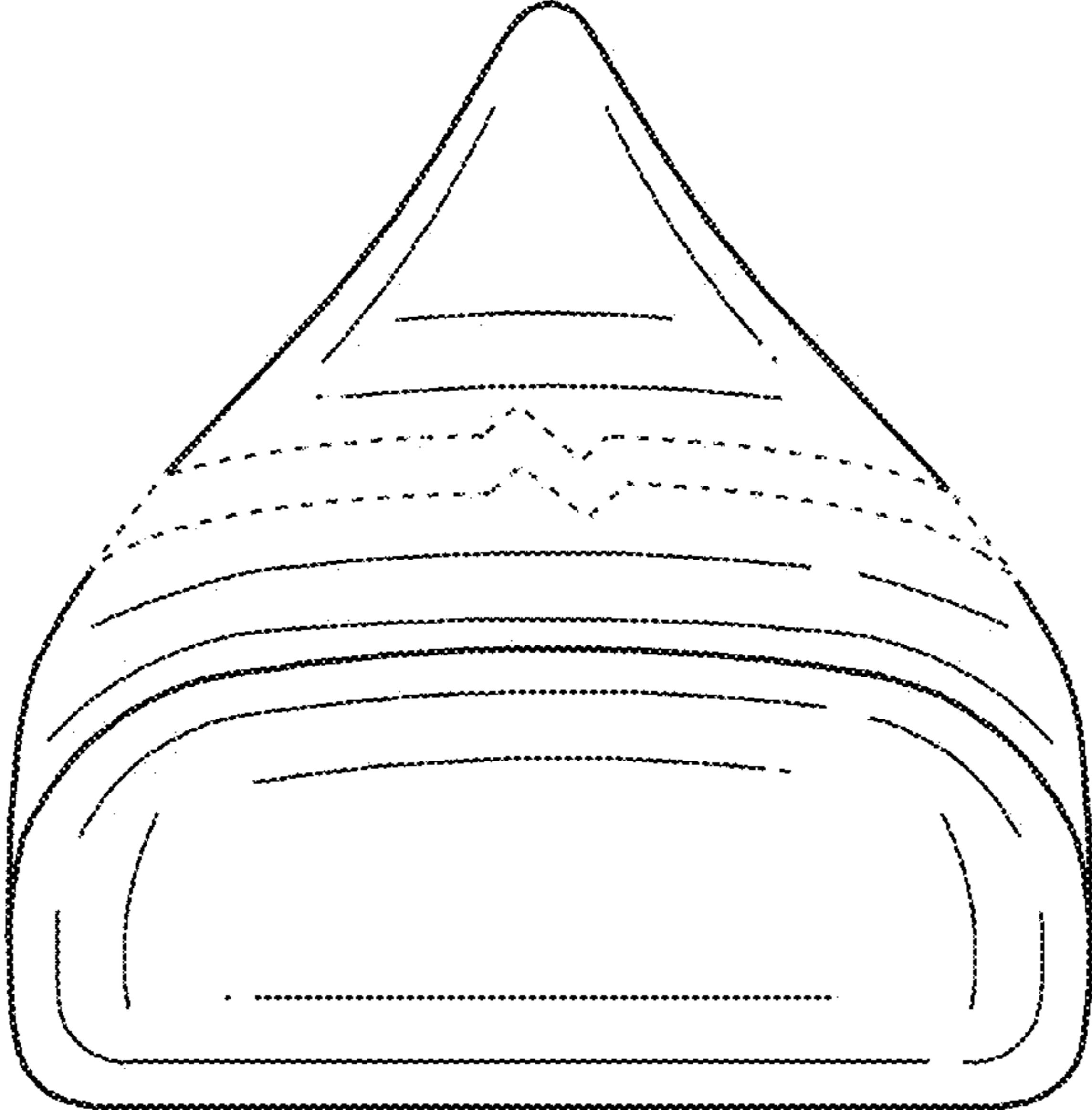


FIG. 3

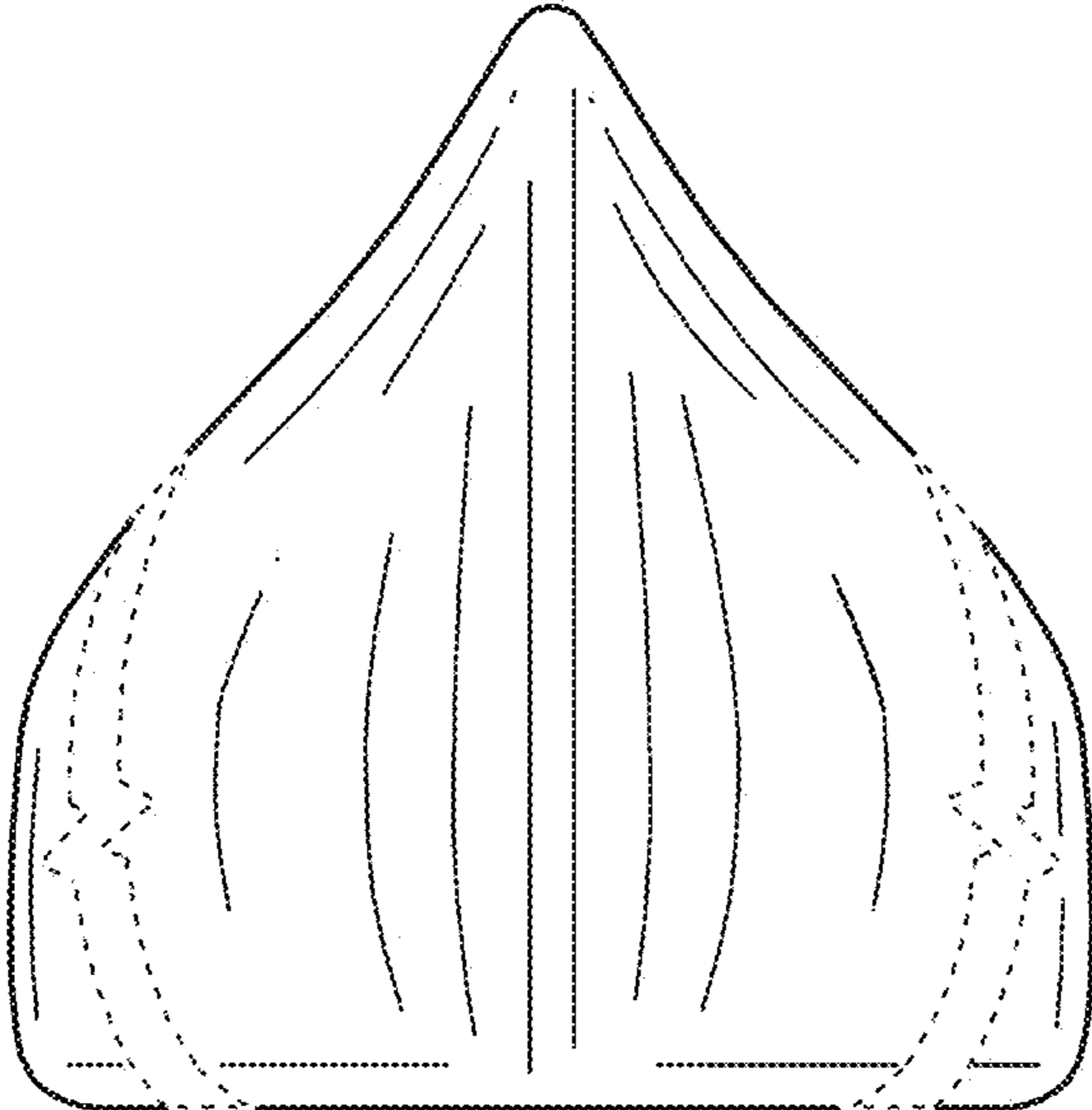


FIG. 4

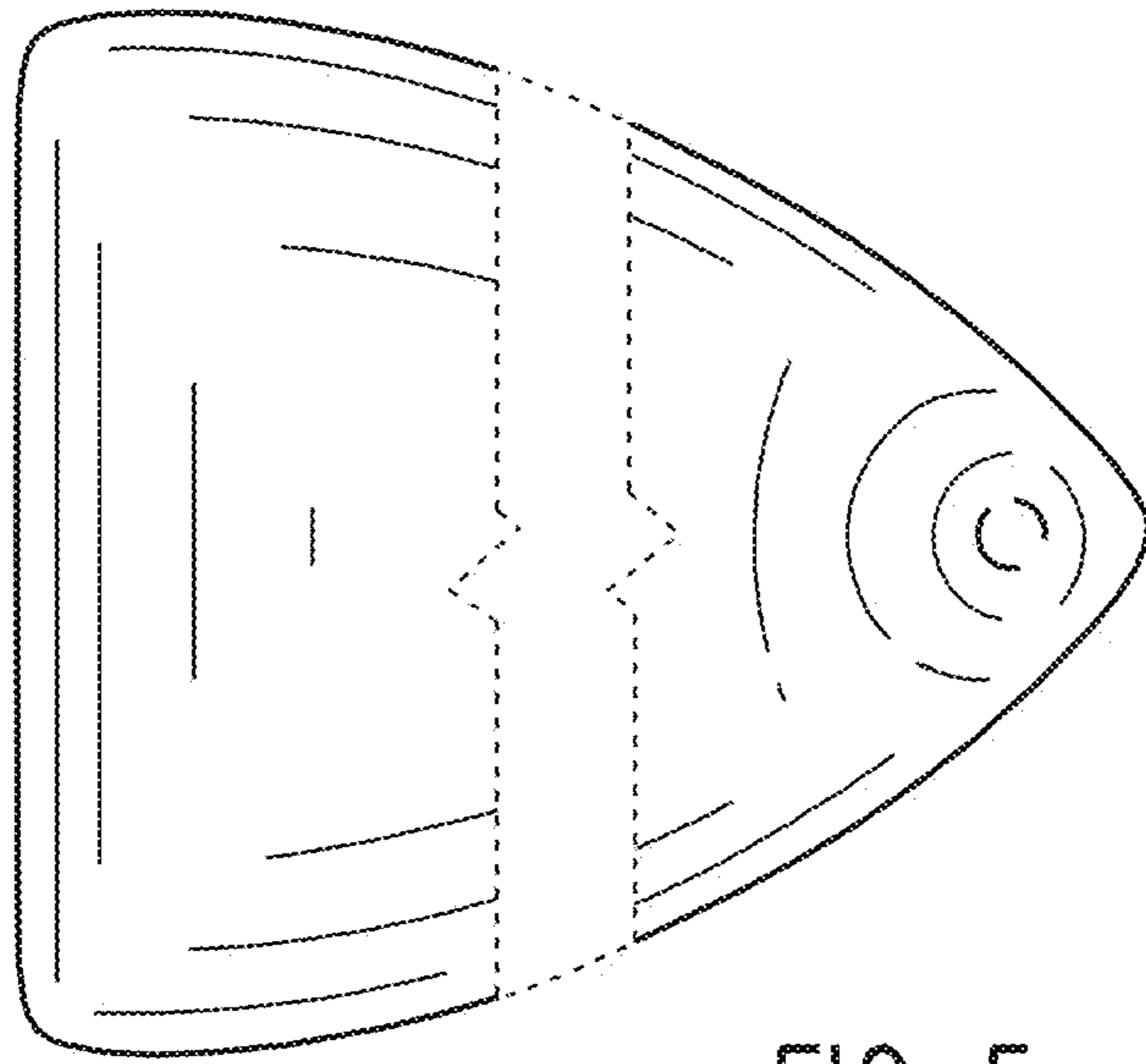


FIG. 5

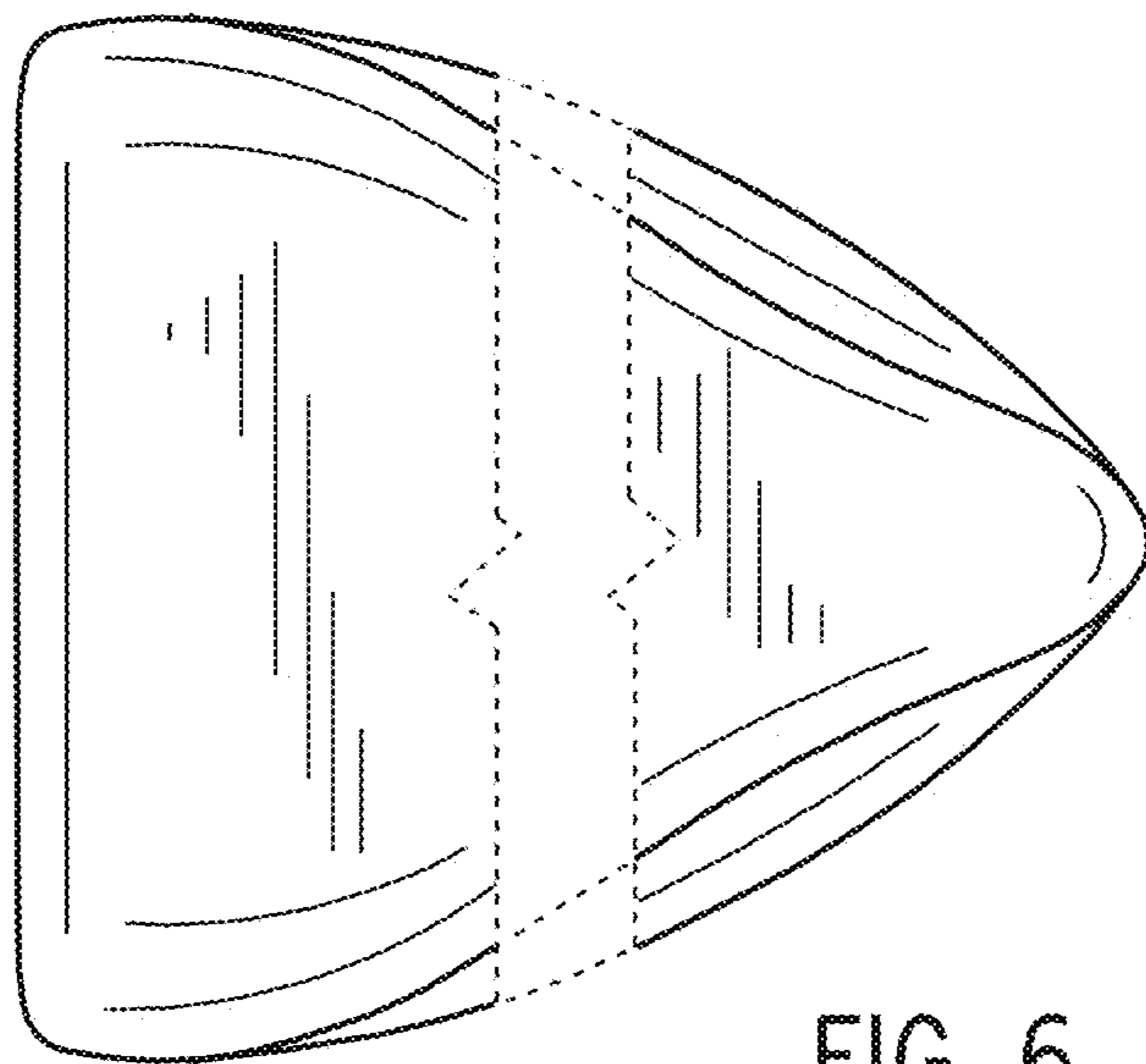


FIG. 6