



US00D755539S

(12) **United States Design Patent**
Schueth

(10) **Patent No.:** **US D755,539 S**
(45) **Date of Patent:** **** May 10, 2016**

(54) **SEAT CUSHION**

(71) Applicant: **Connor J. Schueth**, Lincoln, NE (US)

(72) Inventor: **Connor J. Schueth**, Lincoln, NE (US)

(**) Term: **14 Years**

(21) Appl. No.: **29/490,731**

(22) Filed: **May 13, 2014**

(51) **LOC (10) Cl.** **06-09**

(52) **U.S. Cl.**
USPC **D6/596; D6/611**

(58) **Field of Classification Search**
USPC D6/595-601, 604, 611; D21/803, 804;
D24/183
CPC A47C 7/12; A47C 7/021; A47C 7/383;
A47C 7/425; A47C 7/428; A47C 7/546;
A47C 16/00; A47C 20/00; A47C 20/02;
A47C 20/021; A47C 20/026; A47C 20/027;
A47C 31/11; A47C 27/001; A47C 27/081;
A47C 1/146; A47G 9/00; A47G 9/10; A47G
9/07; A47G 9/1027; A47G 9/1045; A47G
9/1054; A47G 9/1063; A47G 9/1072; A47G
9/1081; A47G 9/109; A47G 2009/1018;
A47G 2009/1036

See application file for complete search history.

(56) **References Cited**

U.S. PATENT DOCUMENTS

- 2,734,558 A * 2/1956 Waranch A47C 31/11
297/229
- 3,151,909 A * 10/1964 Gerdetz A47C 31/11
224/155
- D258,187 S * 2/1981 Robbins D6/596
- 4,597,605 A * 7/1986 Gilbert A47C 7/425
297/183.5
- D366,383 S * 1/1996 Briegleb D6/601

- D366,800 S * 2/1996 Moore, Jr. D6/596
- D474,934 S * 5/2003 Ildstad D6/601
- D503,867 S * 4/2005 Bennette D6/601
- D548,505 S * 8/2007 Feliciano D6/601
- D588,393 S * 3/2009 Miller D6/611
- D601,844 S * 10/2009 Miller D6/611
- D638,240 S * 5/2011 Berk D6/596
- D663,153 S * 7/2012 Kenkelen D6/611
- 8,499,388 B1 * 8/2013 Copes A47C 7/021
297/219.1

* cited by examiner

Primary Examiner — Mary Ann Calabrese

(74) *Attorney, Agent, or Firm* — Tyson B. Benson; Advent, LLP

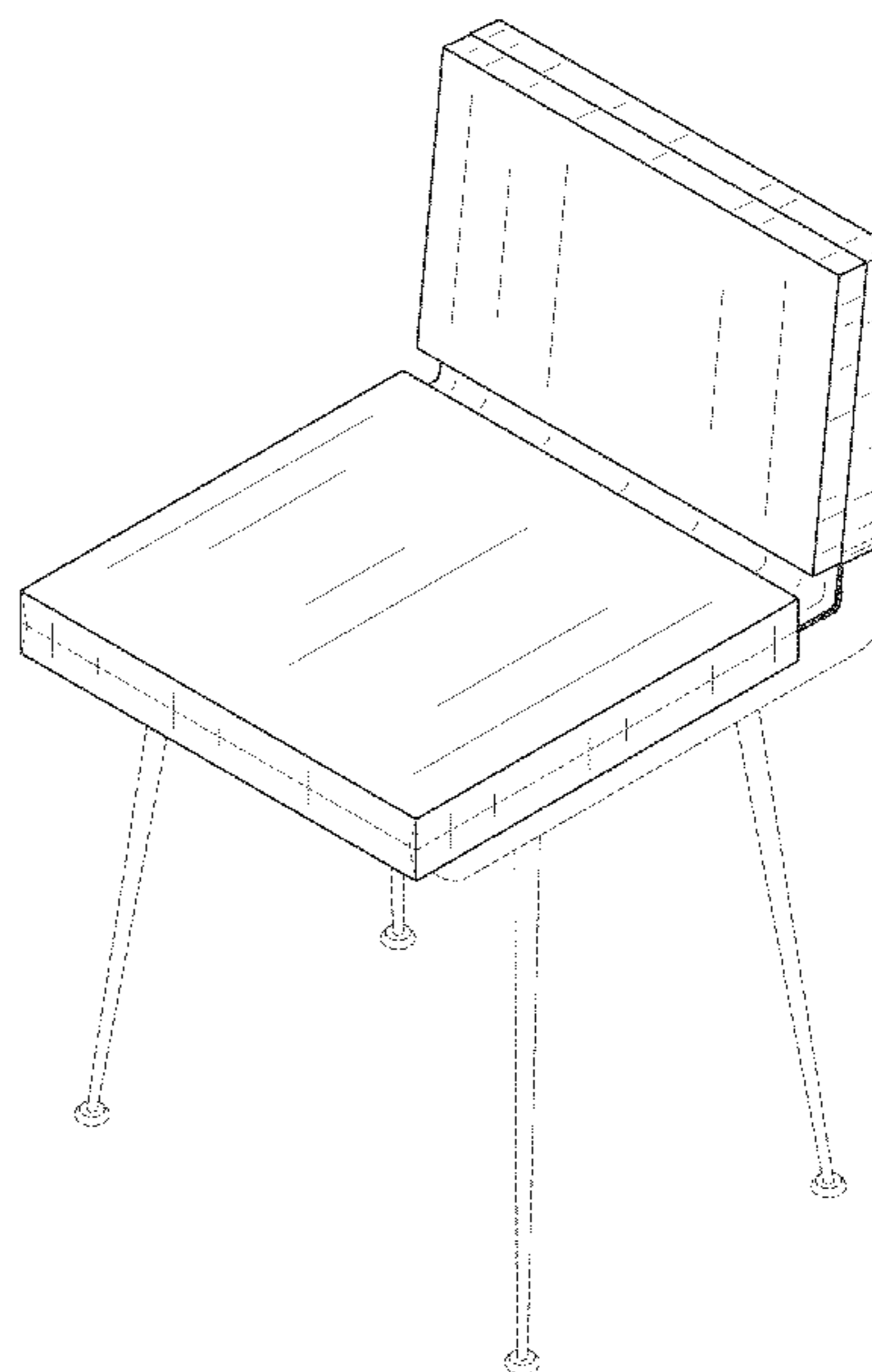
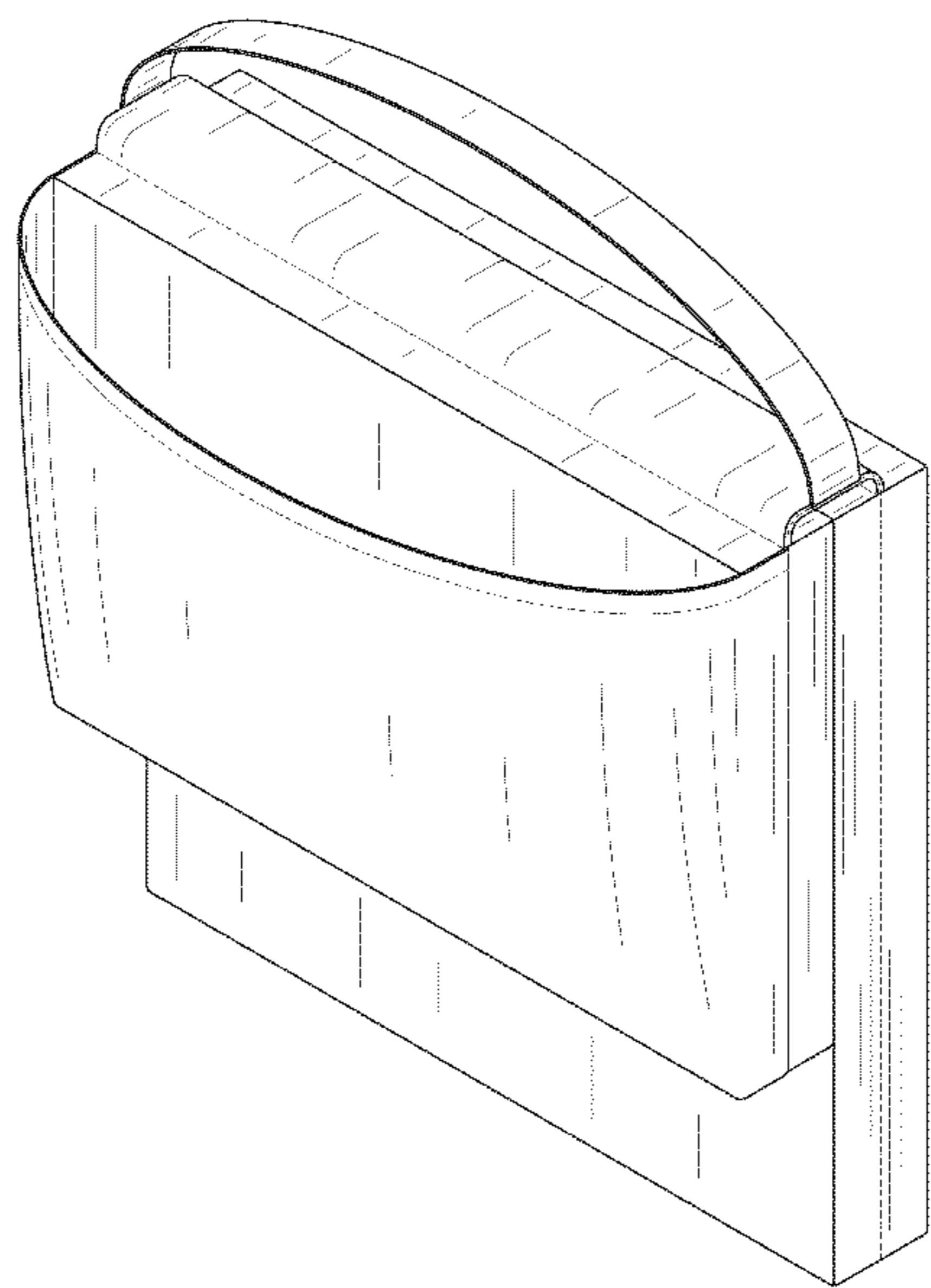
(57) **CLAIM**

The ornamental design for a seat cushion, as shown and described.

DESCRIPTION

FIG. 1 is a top plan view of a seat cushion.
 FIG. 2 is a first side elevation view of the seat cushion of FIG. 1.
 FIG. 3 is a second side elevation view of the seat cushion of FIG. 1.
 FIG. 4 is a first end elevation view of the seat cushion of FIG. 1.
 FIG. 5 is a second end elevation view of the seat cushion of FIG. 1.
 FIG. 6 is a bottom plan view of the seat cushion of FIG. 1.
 FIG. 7 is an isometric view of the seat cushion of FIG. 1 in a folded configuration; and,
 FIG. 8 is an isometric view of a seat cushion shown in use attached to a chair.
 Portions of FIGS. 1 through 8 are shown in broken lines illustrates environment only and form no part of the claimed design.

1 Claim, 8 Drawing Sheets



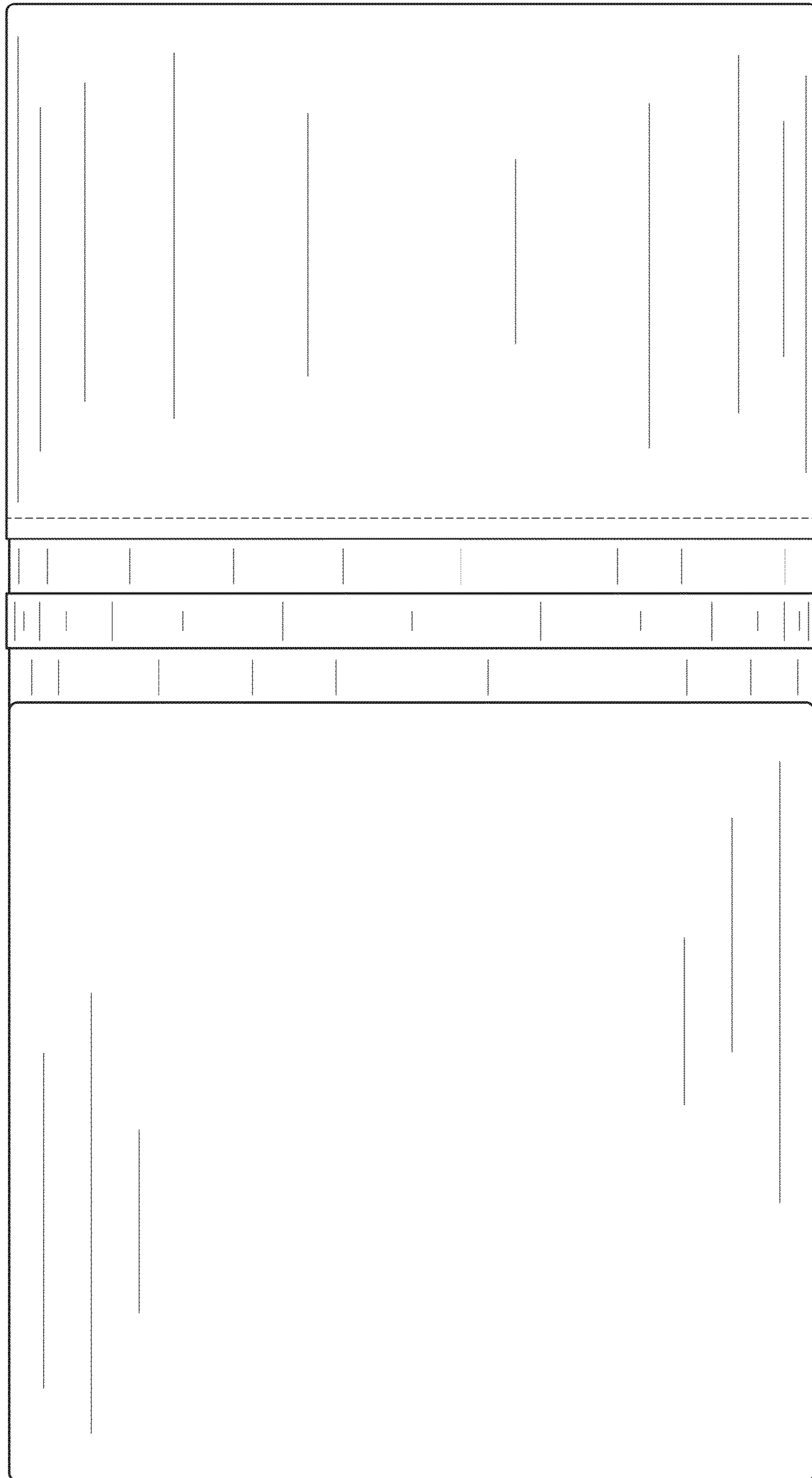


FIG. 1

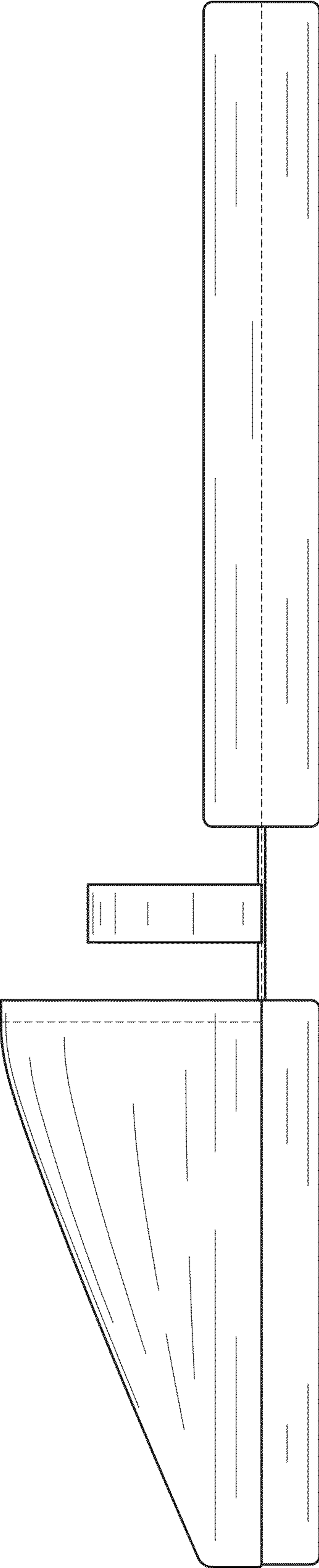


FIG. 2

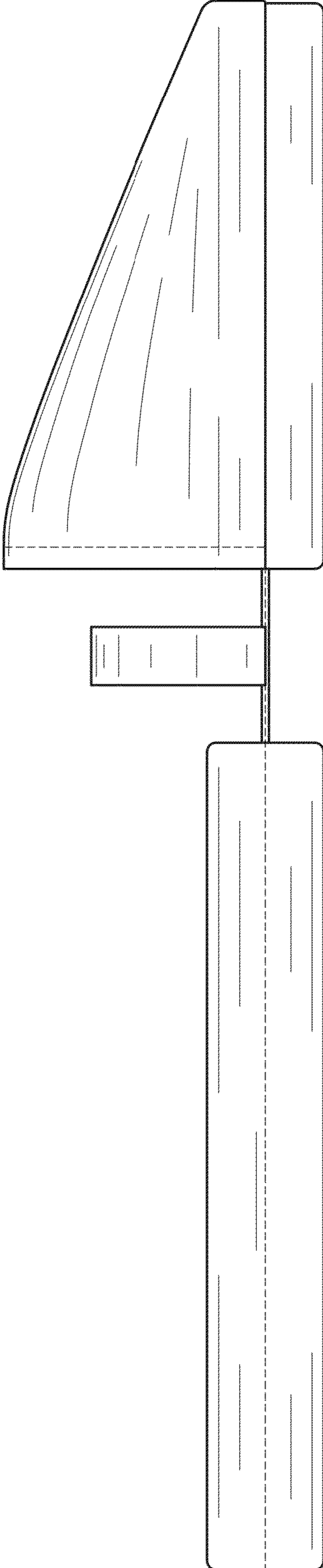


FIG. 3

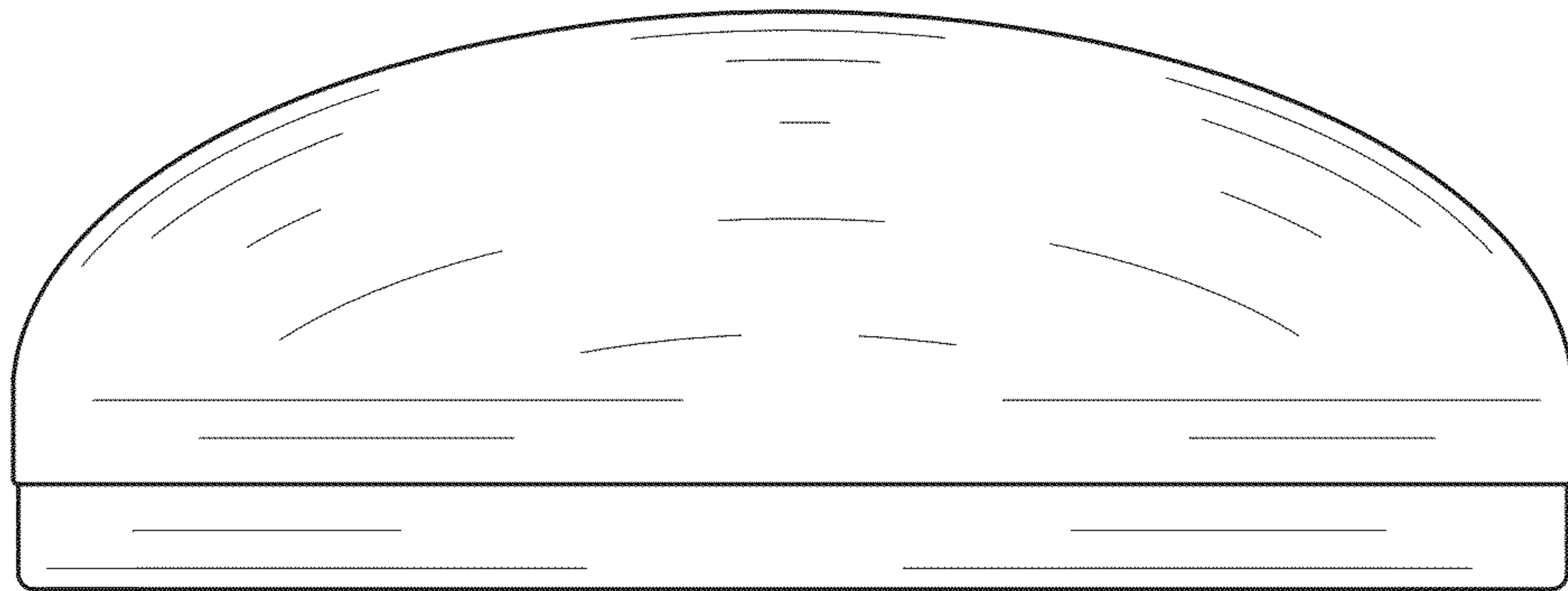


FIG. 4

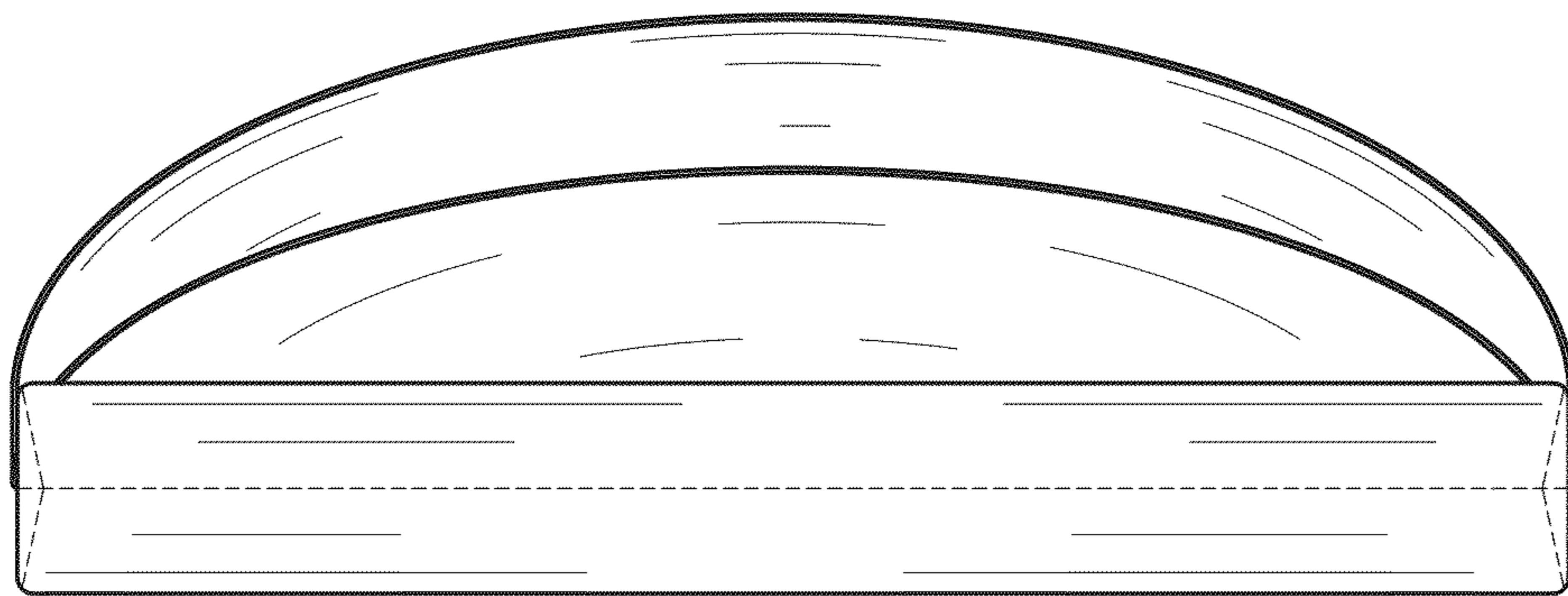


FIG. 5

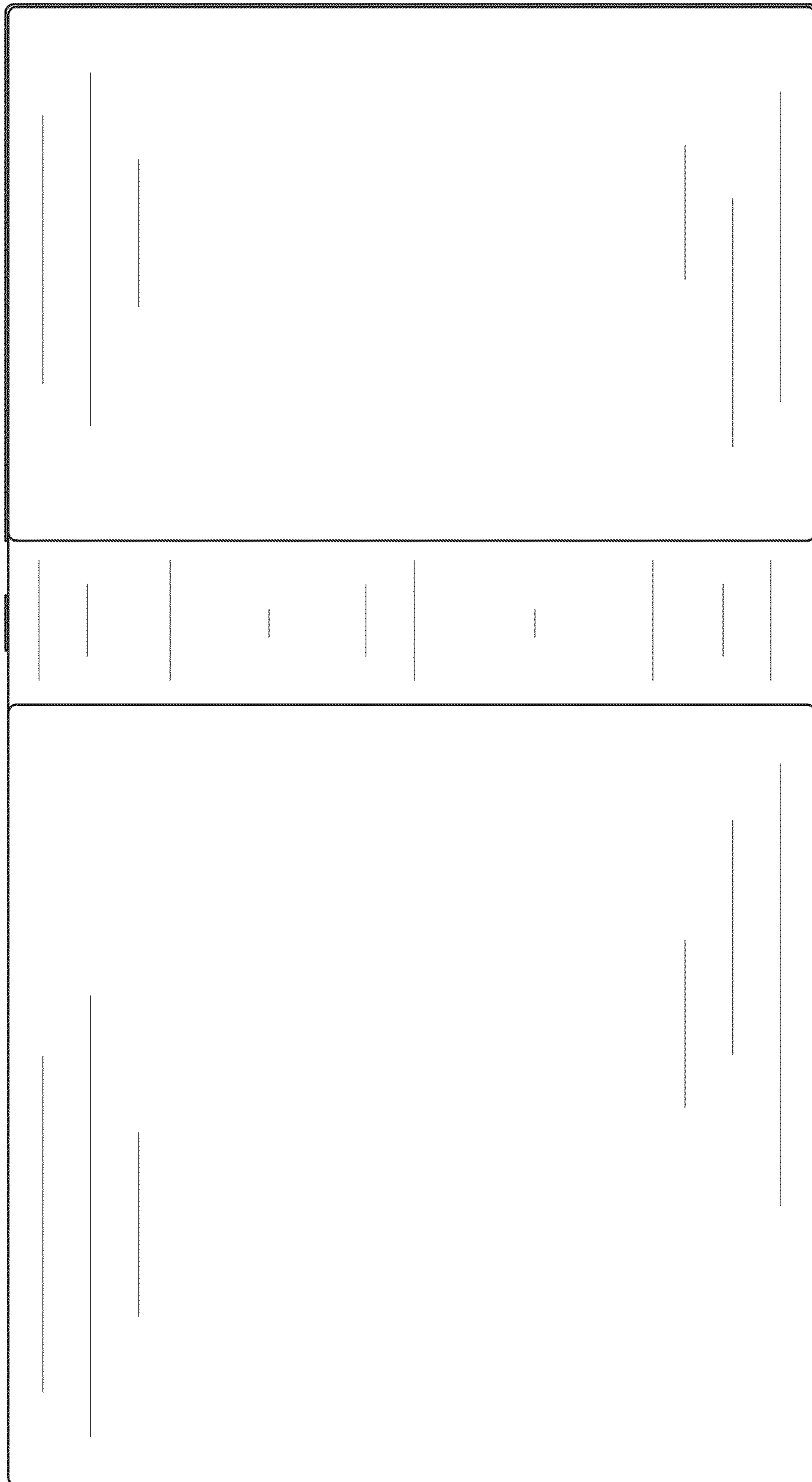


FIG. 6

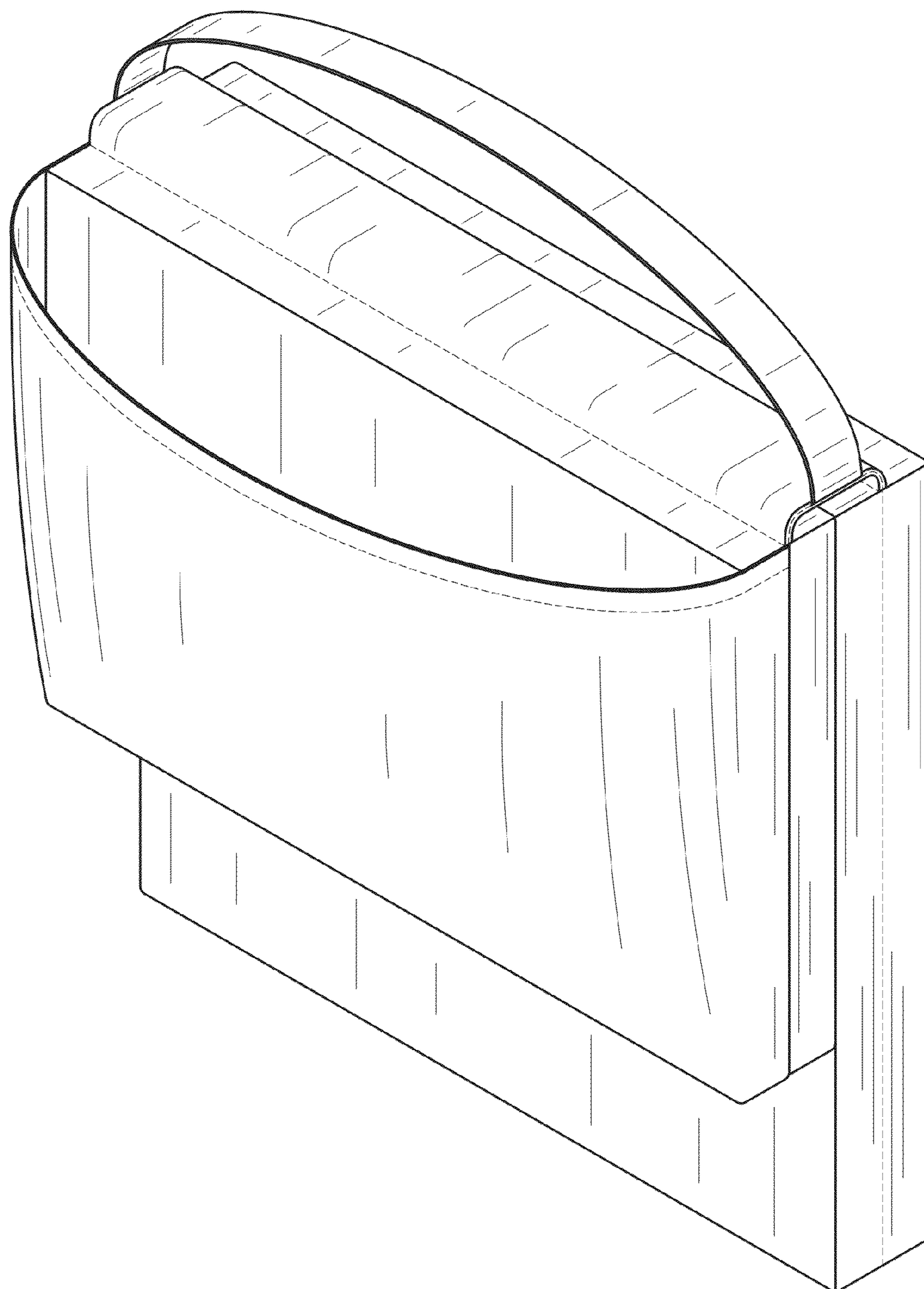


FIG. 7

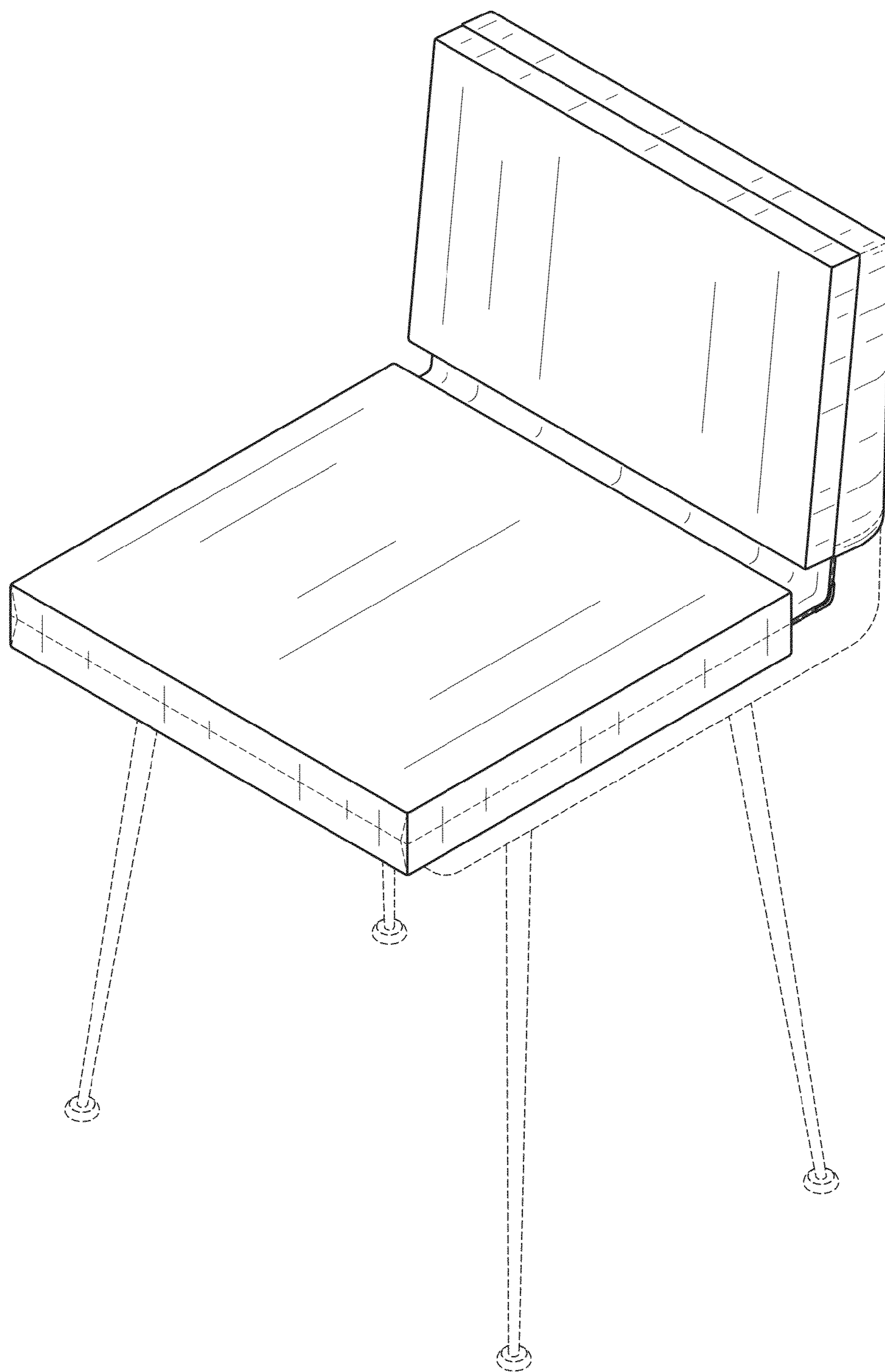


FIG. 8